



US00D834008S

(12) **United States Design Patent** (10) **Patent No.:** **US D834,008 S**
Cho et al. (45) **Date of Patent:** **** *Nov. 20, 2018**

(54) **MOBILE PHONE**

(71) Applicant: **LG ELECTRONICS INC.**, Seoul (KR)

(72) Inventors: **Seungchul Cho**, Seoul (KR); **Bora Choi**, Seoul (KR)

(73) Assignee: **LG ELECTRONICS INC.**, Seoul (KR)

(*) Notice: This patent is subject to a terminal disclaimer.

(**) Term: **15 Years**

(21) Appl. No.: **29/558,147**

(22) Filed: **Mar. 15, 2016**

(30) **Foreign Application Priority Data**

Sep. 16, 2015 (KR) 30-2015-0047126

(51) **LOC (11) Cl.** **14-03**

(52) **U.S. Cl.**
USPC **D14/248**

(58) **Field of Classification Search**
USPC D14/138 G, 138 AD, 248, 138 R,
D14/138 AC, 247, 137, 341-347
CPC H04M 1/0202; H04M 1/0235; H04M
1/0237; H04M 1/0239; H04M 1/0266;
H04M 1/0268; H04M 1/027; H04M
1/0295
See application file for complete search history.

(56) **References Cited**

U.S. PATENT DOCUMENTS

D567,210 S * 4/2008 Sheu D14/138 AD
D574,806 S * 8/2008 Lee D14/138 AD
D584,708 S * 1/2009 Wu D14/138 AD
D604,284 S * 11/2009 Rihu D14/248
D606,506 S * 12/2009 Choi D14/138 AD
D607,862 S * 1/2010 Kim D14/138 AD

D609,210 S * 2/2010 Sohn D14/138 AD
D654,460 S * 2/2012 Kim D14/138 G
D656,477 S * 3/2012 Yi D14/138 G
D661,277 S * 6/2012 Kim D14/138 G
D668,628 S * 10/2012 Ha D14/138 G
D686,586 S * 7/2013 Cho D14/138 G
D738,843 S * 9/2015 Yoon D14/138 G
D738,871 S * 9/2015 Ryu D14/138 C
D739,393 S * 9/2015 Chang D14/248
D752,567 S * 3/2016 Lee D14/248
D757,698 S * 5/2016 Lee D14/248
D758,335 S * 6/2016 Lee D14/138 G
D761,749 S * 7/2016 Lee D14/138 G
D764,427 S * 8/2016 Park D14/138 G
D779,452 S * 2/2017 Kim D14/138 G

(Continued)

OTHER PUBLICATIONS

LG Zero, announced Sep. 2015, [online], [retrieved on Jun. 16, 2017]. Retrieved from Internet ,<URL: http://www.gsmarena.com>.*

Primary Examiner — Bridget L Eland
(74) *Attorney, Agent, or Firm* — Birch, Stewart, Kolasch & Birch, LLP

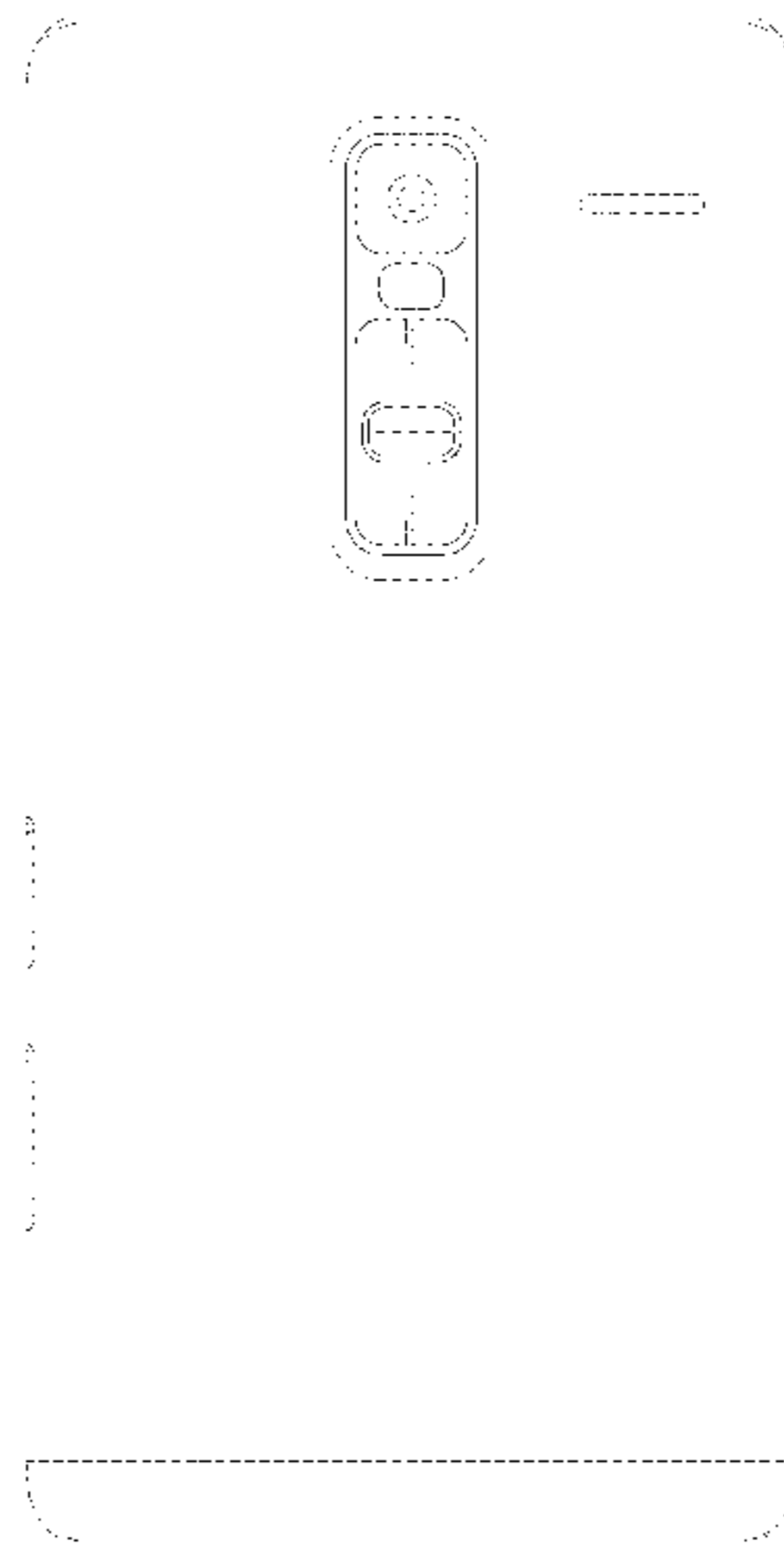
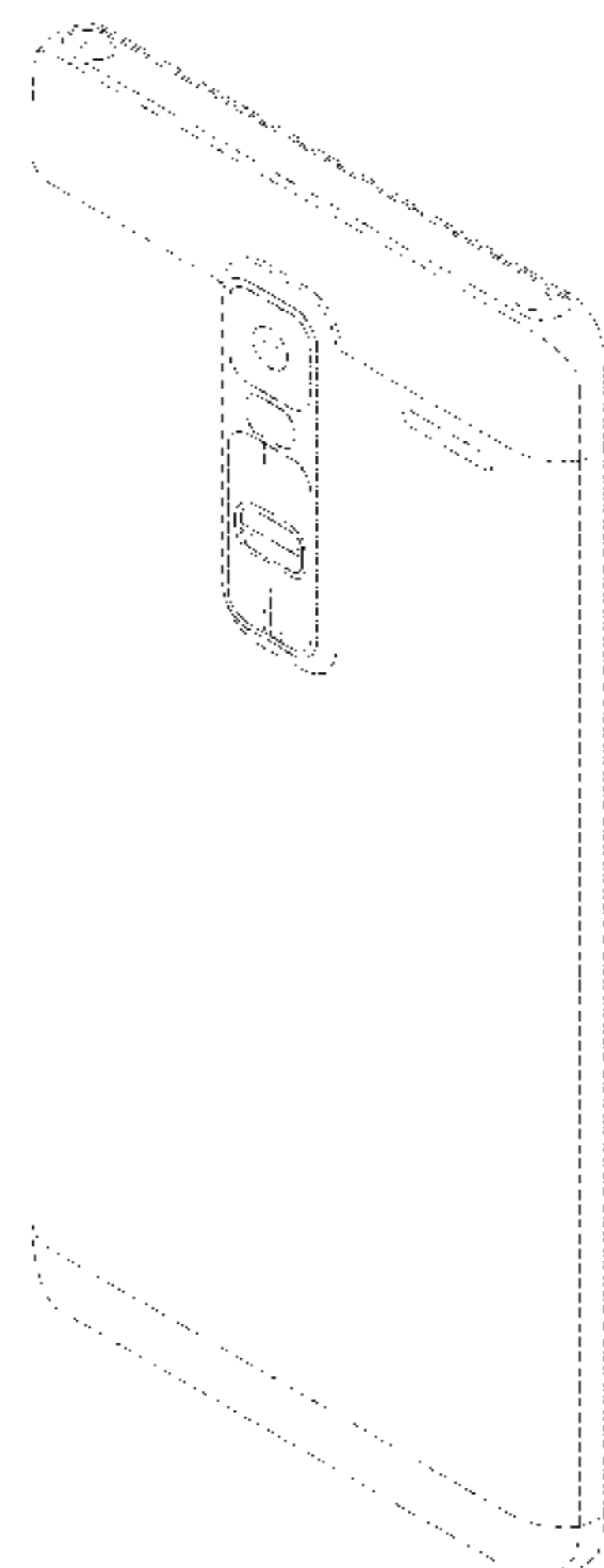
(57) **CLAIM**

The ornamental design for a mobile phone, as shown and described.

DESCRIPTION

FIG. 1 is a rear perspective view of a mobile phone showing our new design;
FIG. 2 is a front view thereof;
FIG. 3 is a rear view thereof;
FIG. 4 is a left side view thereof;
FIG. 5 is a right side view thereof;
FIG. 6 is a top plan view thereof; and,
FIG. 7 is a bottom plan view thereof.
The broken lines depict portions of the mobile phone that form no part of the claimed design.

1 Claim, 6 Drawing Sheets



(56)

References Cited

U.S. PATENT DOCUMENTS

D781,828 S *	3/2017	Ryu	D14/248
D784,949 S *	4/2017	Kim	D14/138 G
D788,088 S *	5/2017	Ryu	D14/248
D803,176 S *	11/2017	Cho	D14/138 G
2012/0013781 A1 *	1/2012	Yamagiwa	G06F 1/1626
				348/333.01
2015/0141084 A1 *	5/2015	Kim	H04M 1/236
				455/575.1

* cited by examiner

FIG. 1

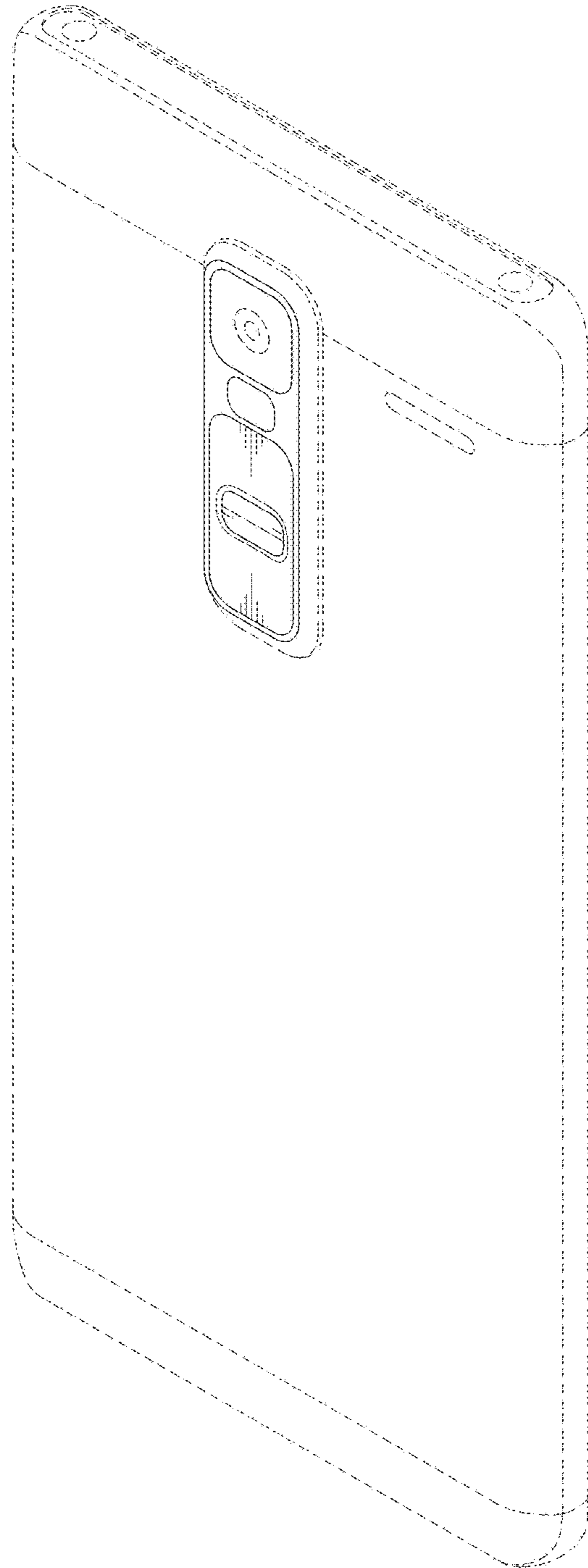


FIG. 2



FIG. 3

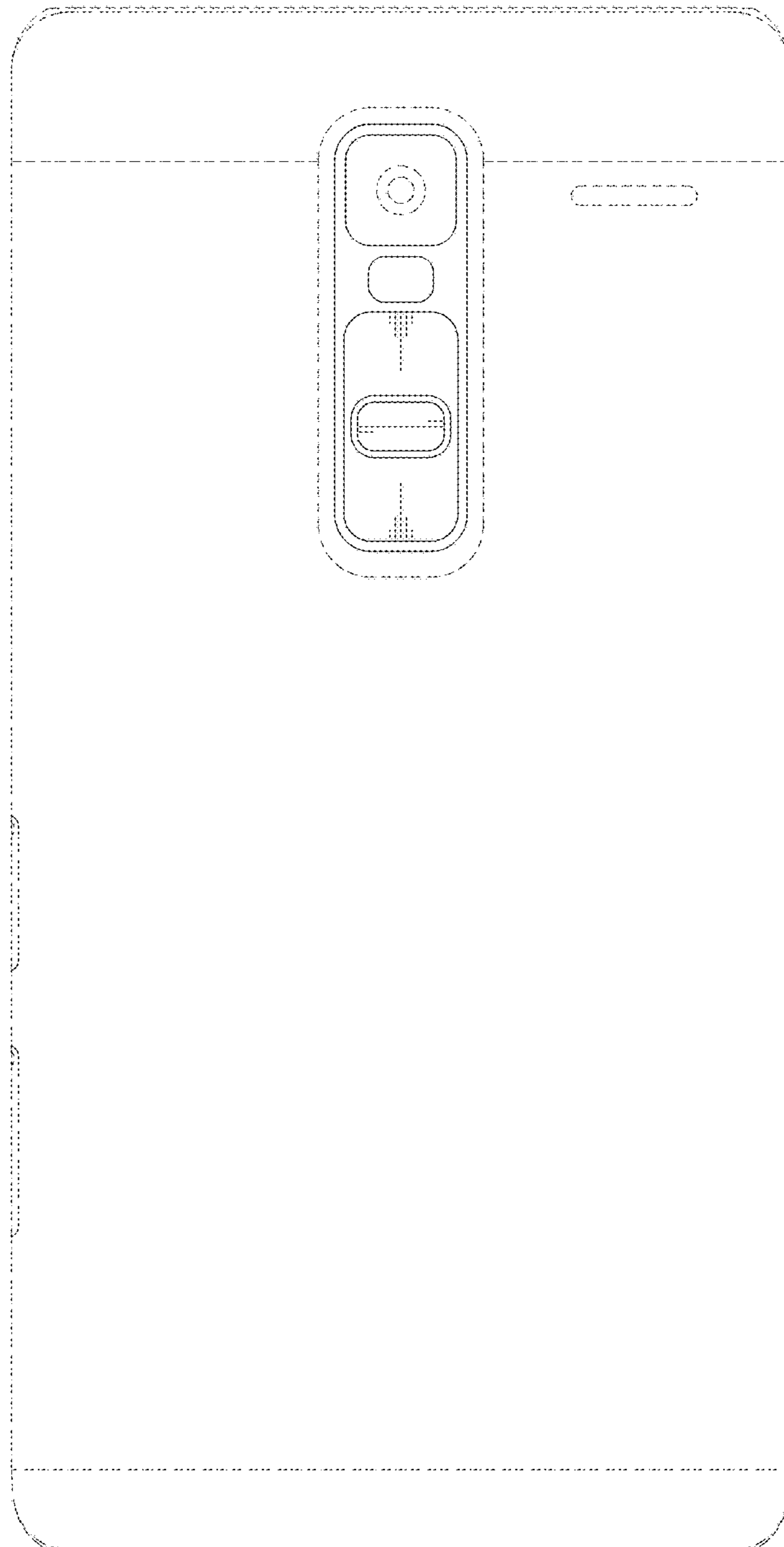


FIG. 4

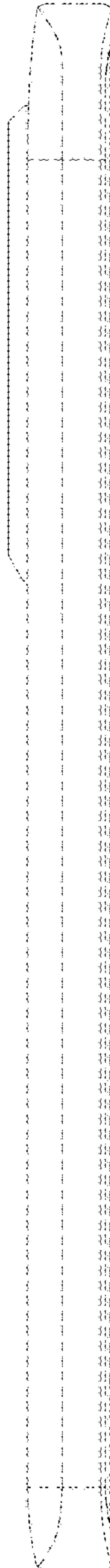


FIG. 5

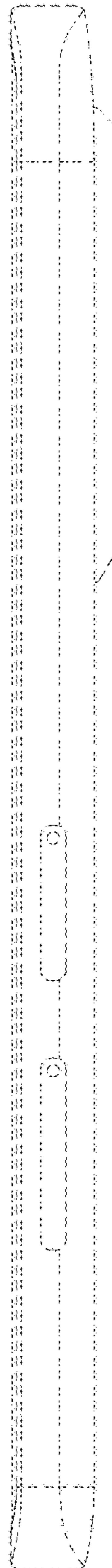


FIG. 6

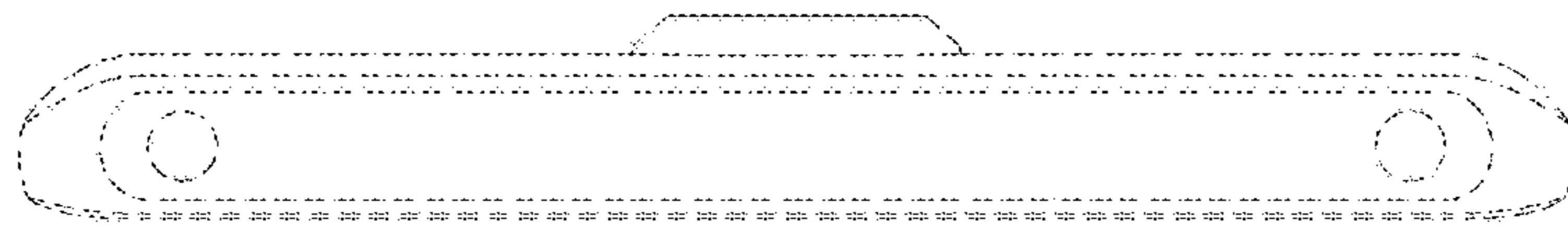


FIG. 7

