



US00D834007S

(12) **United States Design Patent** (10) **Patent No.:** **US D834,007 S**
Cha et al. (45) **Date of Patent:** **** Nov. 20, 2018**

(54) **STAND FOR TV RECEIVER**

(56) **References Cited**

(71) Applicant: **LG ELECTRONICS INC.**, Seoul (KR)

U.S. PATENT DOCUMENTS

(72) Inventors: **Hyunbyung Cha**, Seoul (KR);
Yoonkyeong Lee, Seoul (KR);
Youngwon Jeong, Seoul (KR);
Byungmu Huh, Seoul (KR)

D73,411 S * 9/1927 Magee D11/147
3,831,209 A * 8/1974 Clingman A47G 23/0216
114/267
D317,137 S * 5/1991 Kulikowski D10/108
D370,314 S * 5/1996 Pearson-Falcon D30/130
D423,732 S * 4/2000 McGee D30/129
D440,469 S * 4/2001 Krist D7/619.1
D508,458 S * 8/2005 Solland D13/108
D526,990 S * 8/2006 Slevin D14/149
D553,123 S * 10/2007 Solland D14/217
D581,905 S * 12/2008 Solland D14/217
D602,310 S * 10/2009 Klimecki D7/500

(73) Assignee: **LG ELECTRONICS INC.**, Seoul (KR)

(**) Term: **15 Years**

(Continued)

(21) Appl. No.: **35/502,951**

(22) Filed: **Nov. 8, 2016**

FOREIGN PATENT DOCUMENTS

(80) **Hague Agreement Data**

WO D093429-001 * 5/2016
WO D093555-001 * 5/2017

Int. Filing Date: **Nov. 8, 2016**

Int. Reg. No.: **DM/093429**

Int. Reg. Date: **Nov. 8, 2016**

Int. Reg. Pub. Date: **May 12, 2017**

Primary Examiner — Barbara Fox

Assistant Examiner — Dana K Weiland

(74) *Attorney, Agent, or Firm* — Birch, Stewart, Kolasch & Birch, LLP

(30) **Foreign Application Priority Data**

May 16, 2016 (KR) 30-2016-0023221

(51) **LOC (11) Cl.** **14-03**

(52) **U.S. Cl.**
USPC **D14/239**

(58) **Field of Classification Search**

USPC D14/238, 239, 125-134, 371, 374-377,
D14/440, 451, 336, 251-253, 447, 434,
D14/432, 439, 457, 142, 217, 209.1;
D6/300, 672, 407, 567; D8/349;
D12/223, 420; D20/10, 19, 39;
D16/242-245, 250, 214; D21/329, 515;
D10/26

CPC F16M 11/00; F16M 11/04; F16M 11/043;
F16M 11/10; F16M 13/00; H04M 1/04;
H04M 1/06; G06F 1/1601; G06F 1/1643;
H05K 5/0004; H05K 5/0017; H05K 5/02;
H05K 5/0217

See application file for complete search history.

(57) **CLAIM**

The ornamental design for a stand for TV receiver, as shown and described.

DESCRIPTION

1. Stand for TV receiver

1.1 : Perspective

1.2 : Front

1.3 : Back

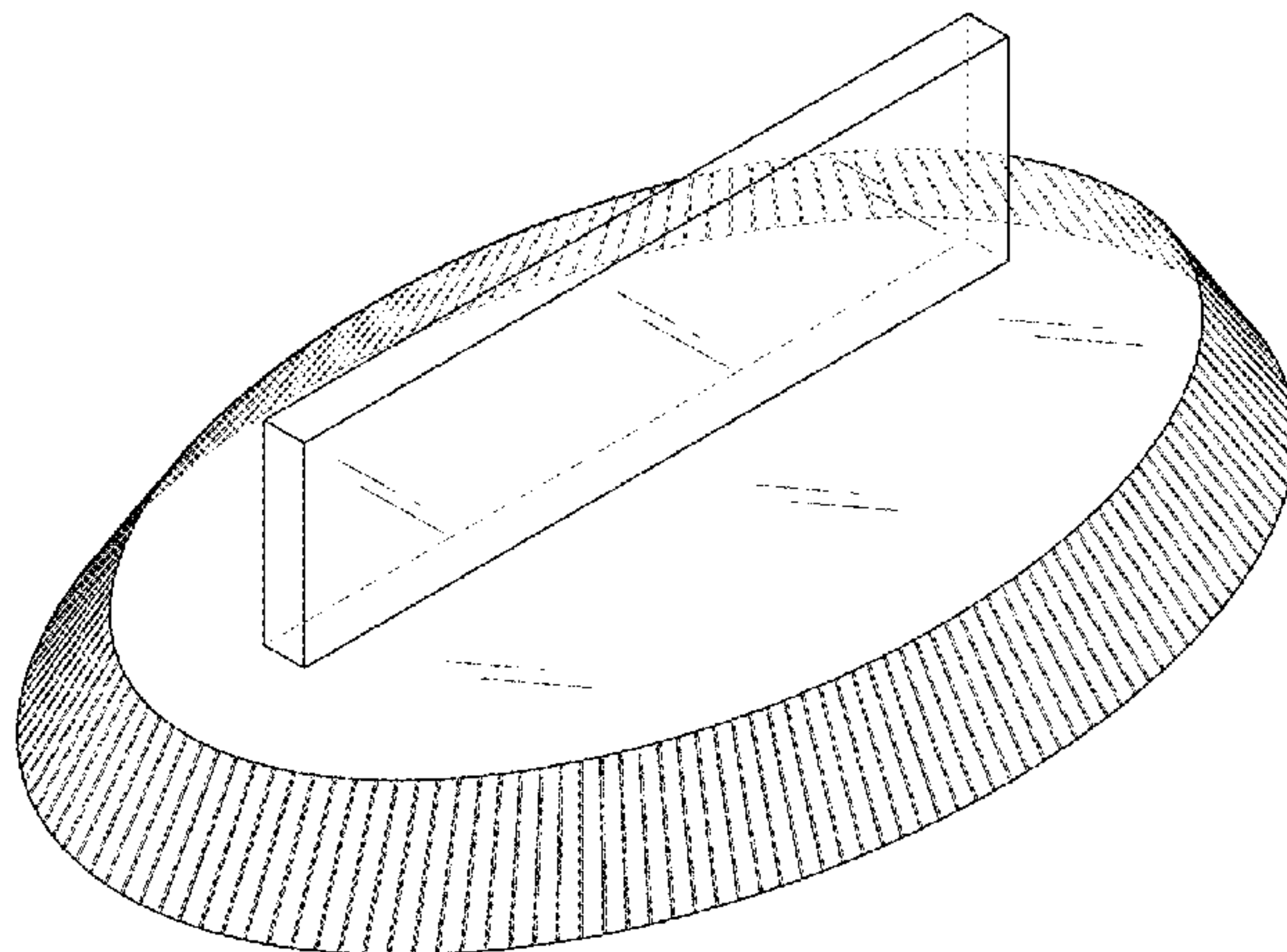
1.4 : Left

1.5 : Right

1.6 : Top

1.7 : Bottom

1 Claim, 4 Drawing Sheets



(56)

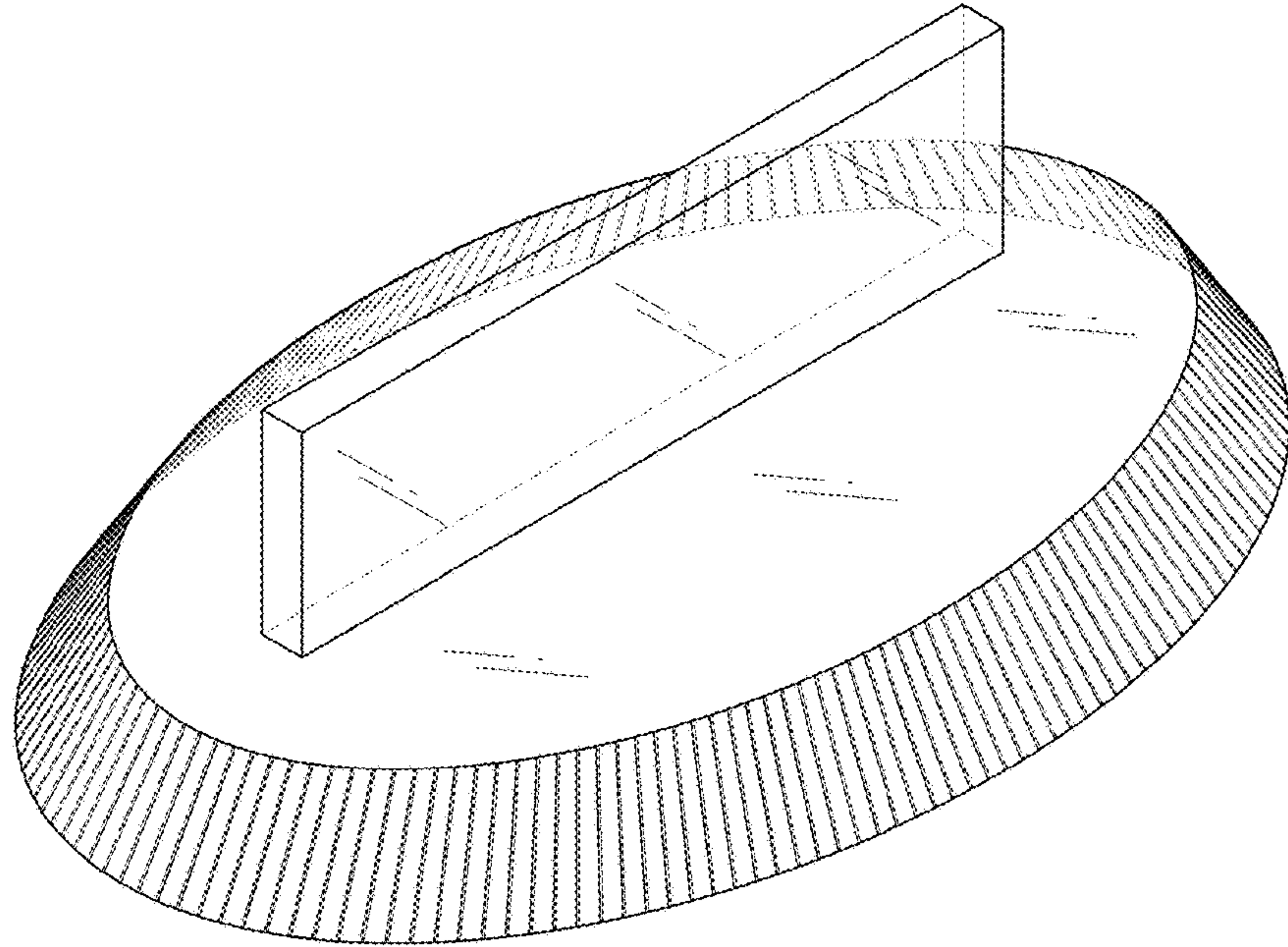
References Cited

U.S. PATENT DOCUMENTS

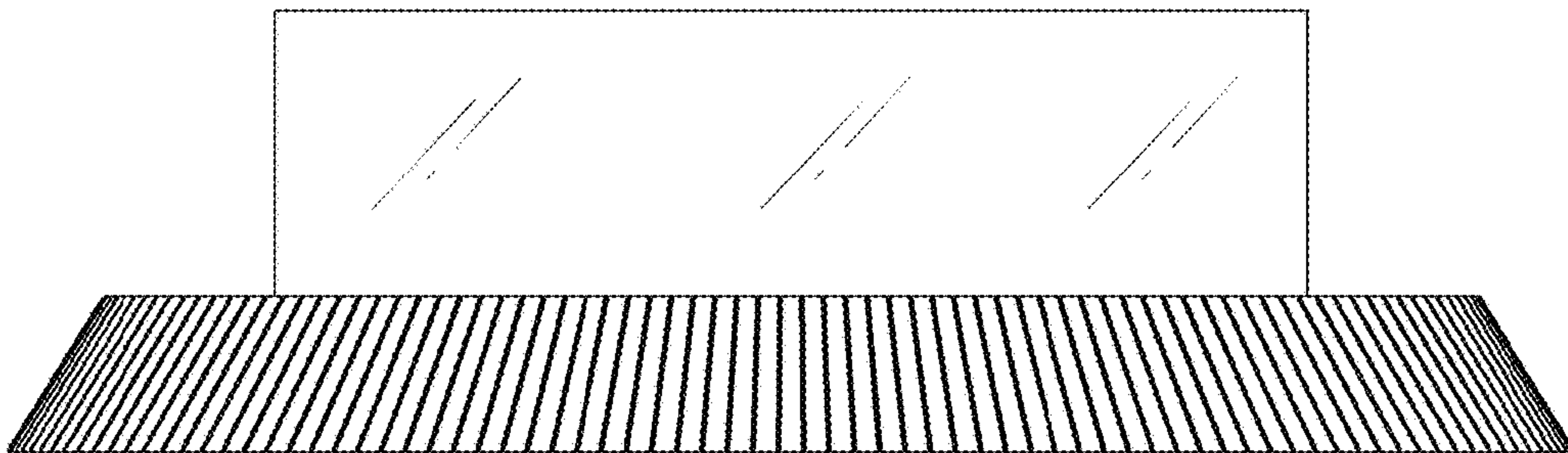
D611,275	S	*	3/2010	Shimizu	D6/682
D630,238	S	*	1/2011	Fukuma	D16/242
D648,323	S	*	11/2011	Medas	D14/217
D656,151	S	*	3/2012	Maus	D14/385
D660,136	S	*	5/2012	Jarowenko	D8/374
D667,403	S	*	9/2012	Maus	D13/107
D672,715	S	*	12/2012	Brunner	D13/110
D718,004	S	*	11/2014	Stovall	D30/129
D725,639	S	*	3/2015	Kim	D14/239
D729,773	S	*	5/2015	Salojarvi	D14/218
D736,706	S	*	8/2015	Huang	D13/108
D737,234	S	*	8/2015	Kim	D14/126
D796,518	S	*	9/2017	Song	D14/451
D806,254	S	*	12/2017	Im	D24/186
D807,288	S	*	1/2018	Kim	D13/107

* cited by examiner

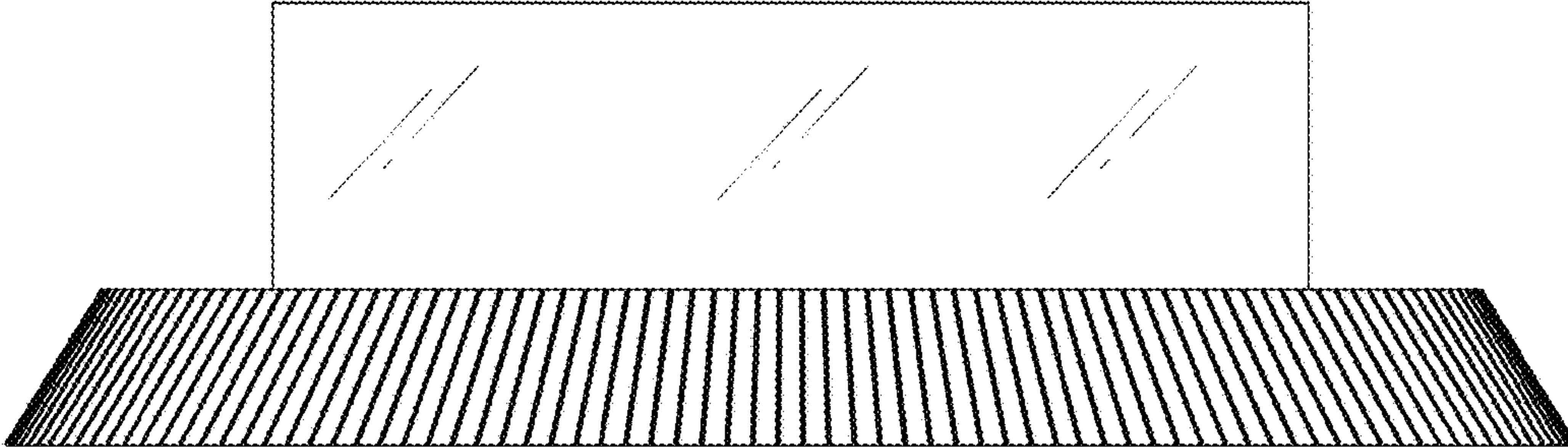
1.1



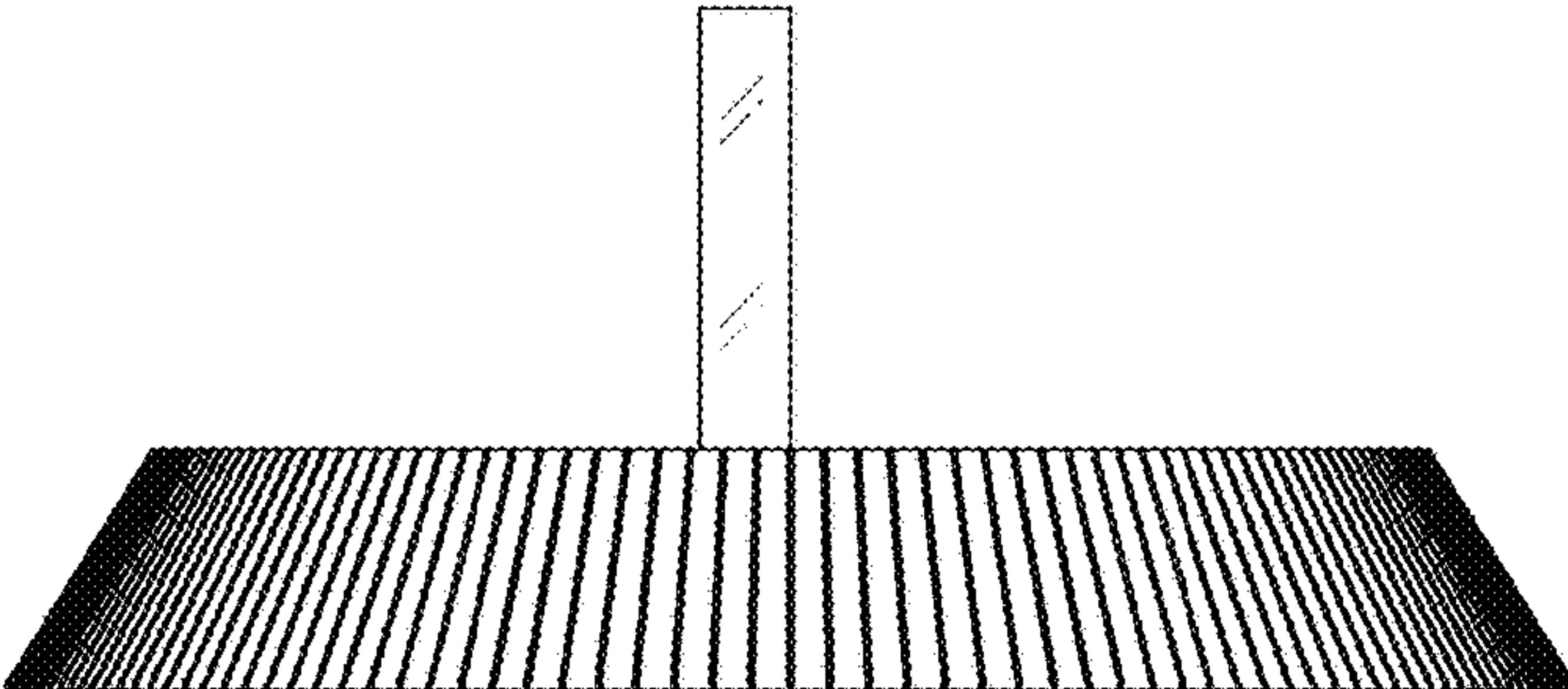
1.2



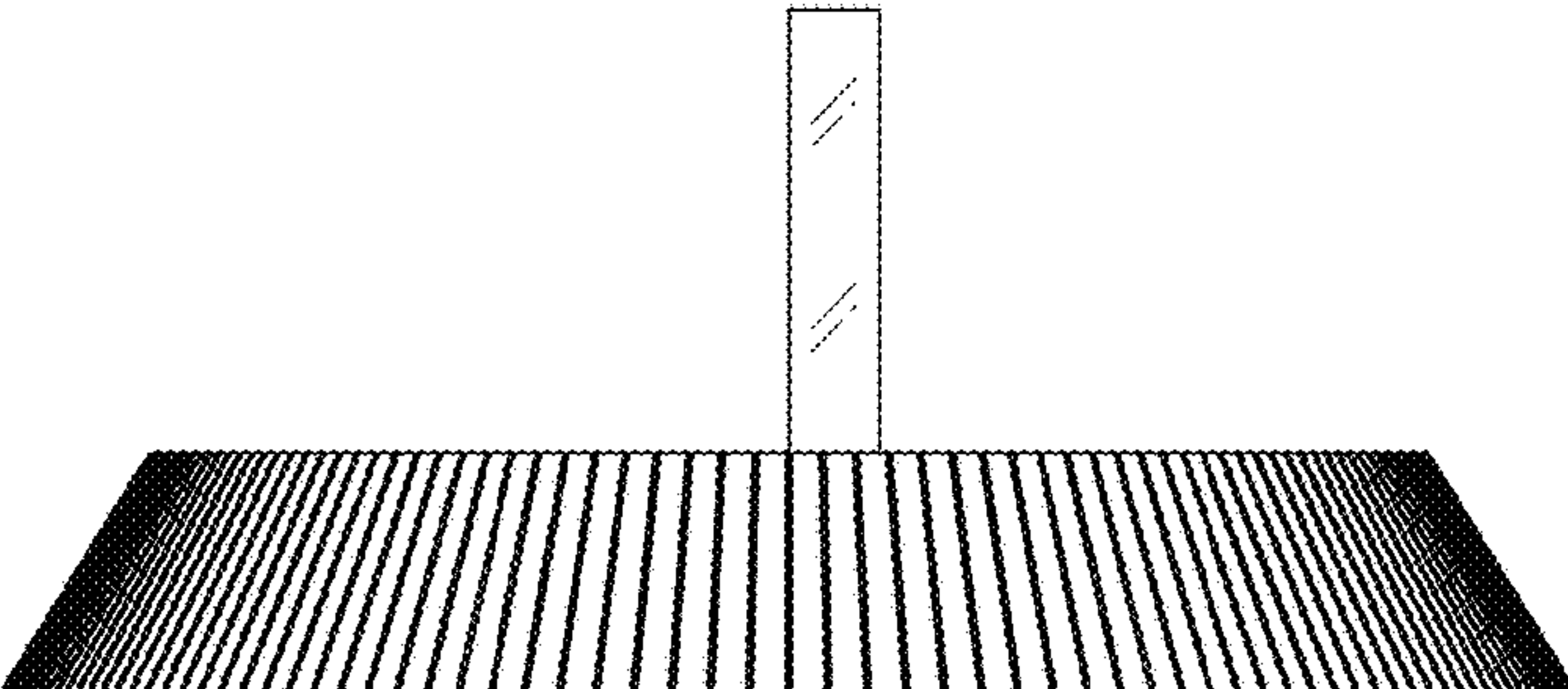
1.3



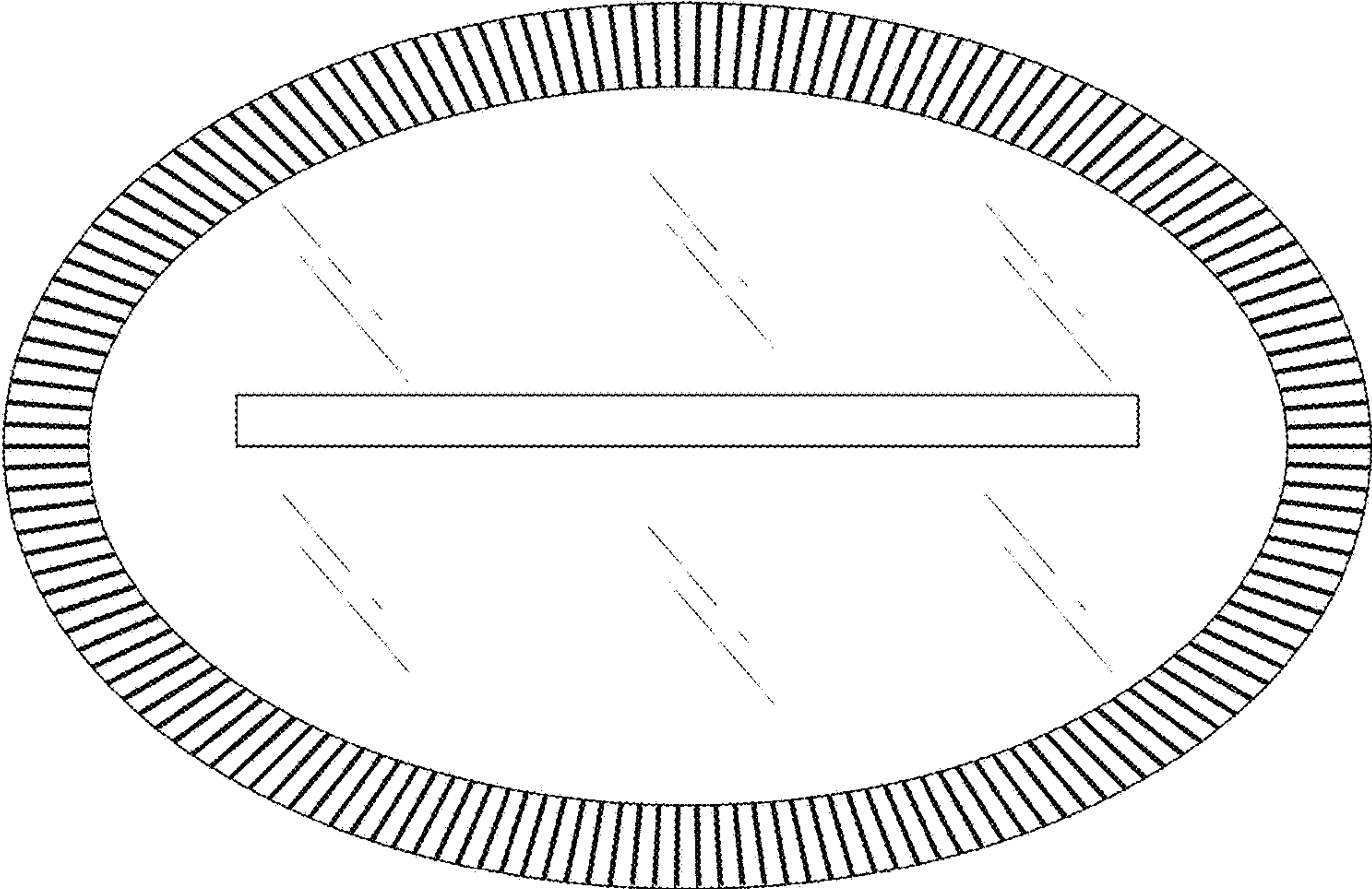
1.4



1.5



1.6



1.7

