



US00D834006S

(12) **United States Design Patent**
Burke et al.

(10) **Patent No.:** **US D834,006 S**

(45) **Date of Patent:** **** Nov. 20, 2018**

(54) **ANTENNA BASE**

(71) Applicants: **Marde Burke**, Edmond, OK (US);
Jason Paulk, Edmond, OK (US)

(72) Inventors: **Marde Burke**, Edmond, OK (US);
Jason Paulk, Edmond, OK (US)

(73) Assignee: **Jasco Products Company LLC**,
Oklahoma City, OK (US)

(**) Term: **15 Years**

(21) Appl. No.: **29/554,202**

(22) Filed: **Feb. 9, 2016**

(51) **LOC (11) Cl.** **14-03**

(52) **U.S. Cl.**
USPC **D14/238**

(58) **Field of Classification Search**
USPC D14/138, 230, 231, 232, 234, 235, 236,
D14/237, 238, 238.1, 250, 299, 358
CPC G01R 29/10; G01S 2013/0245; G01S
2013/0254; G01S 2013/0263; G01S
7/4026; G05B 2219/45001; G06K
19/07773; G06K 19/07775; G06K
19/07777; G08B 13/2468; G08B 13/2477;
H01Q 1/088

See application file for complete search history.

(56) **References Cited**

U.S. PATENT DOCUMENTS

D244,038 S * 4/1977 Pizon D14/230
D244,039 S * 4/1977 Pizon D14/230
D244,040 S * 4/1977 Pizon D14/230
D245,778 S * 9/1977 Langner D14/230
D300,531 S * 4/1989 Higgins D14/230
D303,262 S * 9/1989 Sallus D14/230

D326,097 S * 5/1992 Ferrario D14/230
D334,570 S * 4/1993 Wingard D14/238
D345,165 S * 3/1994 Cota D14/230
D481,031 S * 10/2003 Wang D14/235
D501,000 S * 1/2005 Wang D14/235
D504,679 S * 5/2005 Huang D14/230
D595,701 S * 7/2009 Chuang D14/238
D719,141 S * 12/2014 Chou D14/230

OTHER PUBLICATIONS

<https://www.amazon.com/GE-34140-Outdoor-UltraPro-Channels/dp/B01BY033S0/>—Earliest product review date of Jun. 4, 2016.*

* cited by examiner

Primary Examiner — Manpreet S Matharu

Assistant Examiner — Mojtaba Tehrani

(74) *Attorney, Agent, or Firm* — Bruce P. LaBrie;
Resolution Legal Group

(57) **CLAIM**

The ornamental design for an antenna base, as shown and described.

DESCRIPTION

FIG. 1 is a left elevational view of an antenna base showing our new design;

FIG. 2 is a front elevational view thereof;

FIG. 3 is a right elevational view thereof;

FIG. 4 is a bottom plan view thereof;

FIG. 5 is a top plan view thereof;

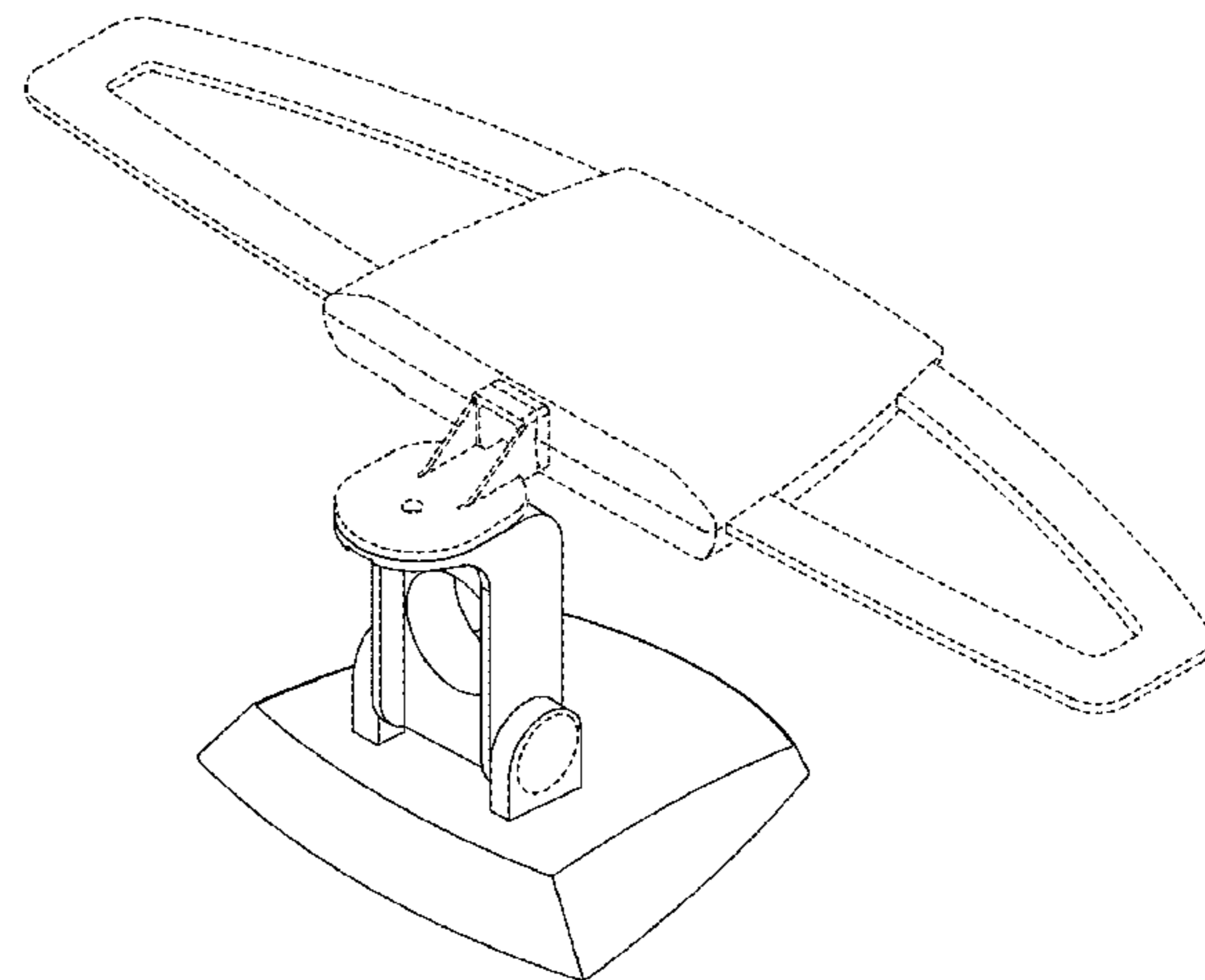
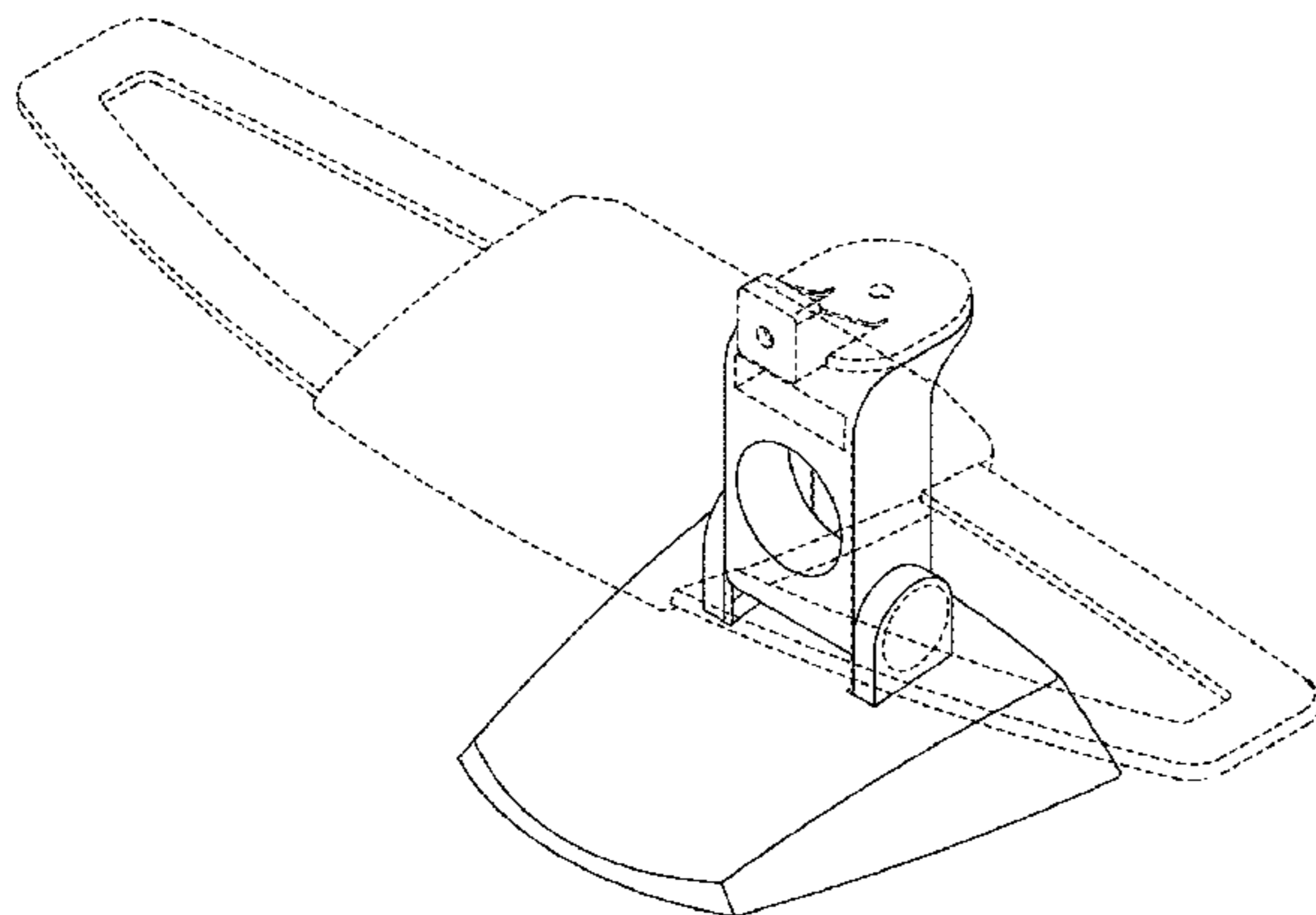
FIG. 6 is a rear elevational view thereof;

FIG. 7 is a perspective view thereof; and,

FIG. 8 is a perspective view thereof.

The broken lines in the drawings represent unclaimed portions of the design, which form no part of the claim.

1 Claim, 4 Drawing Sheets



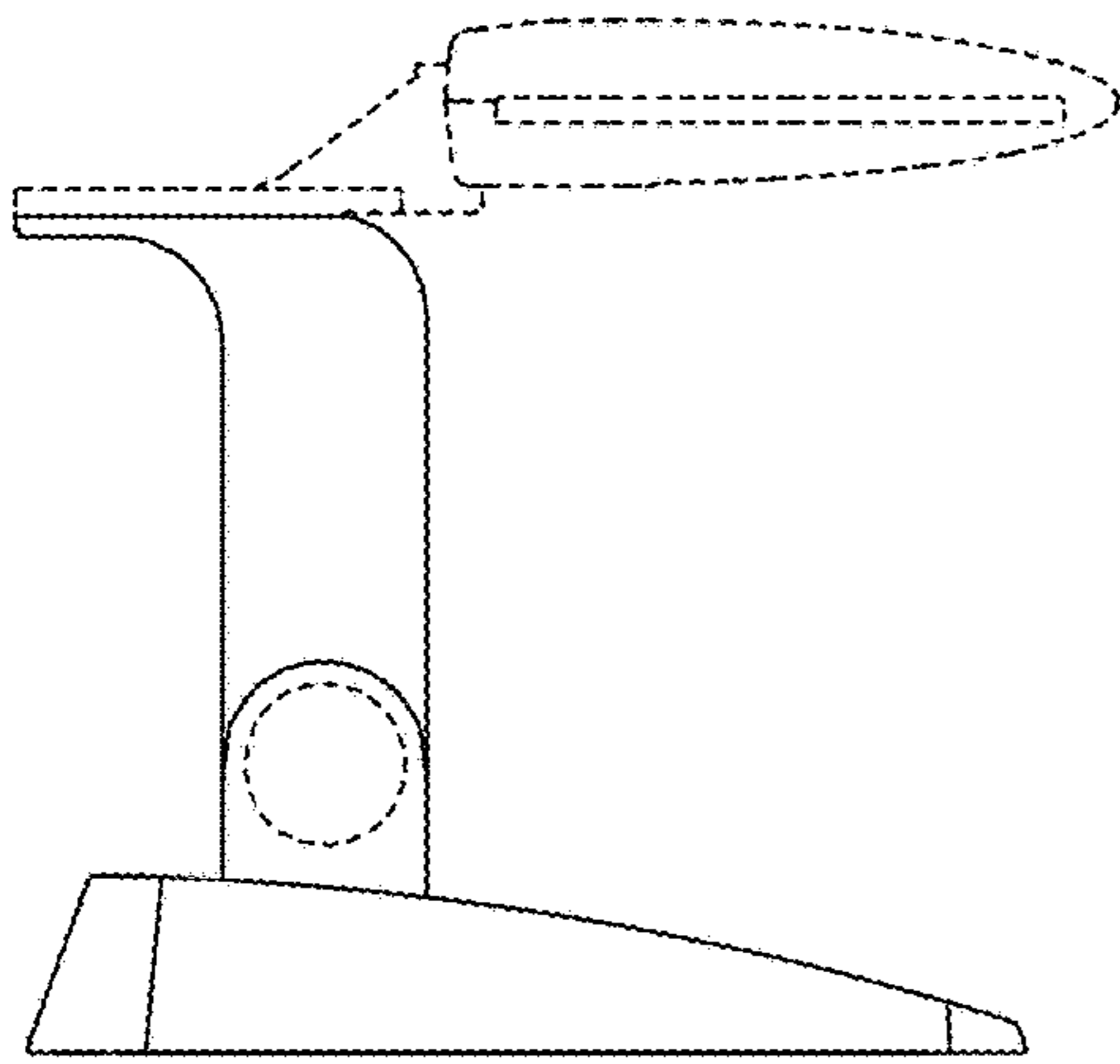


FIG. 1

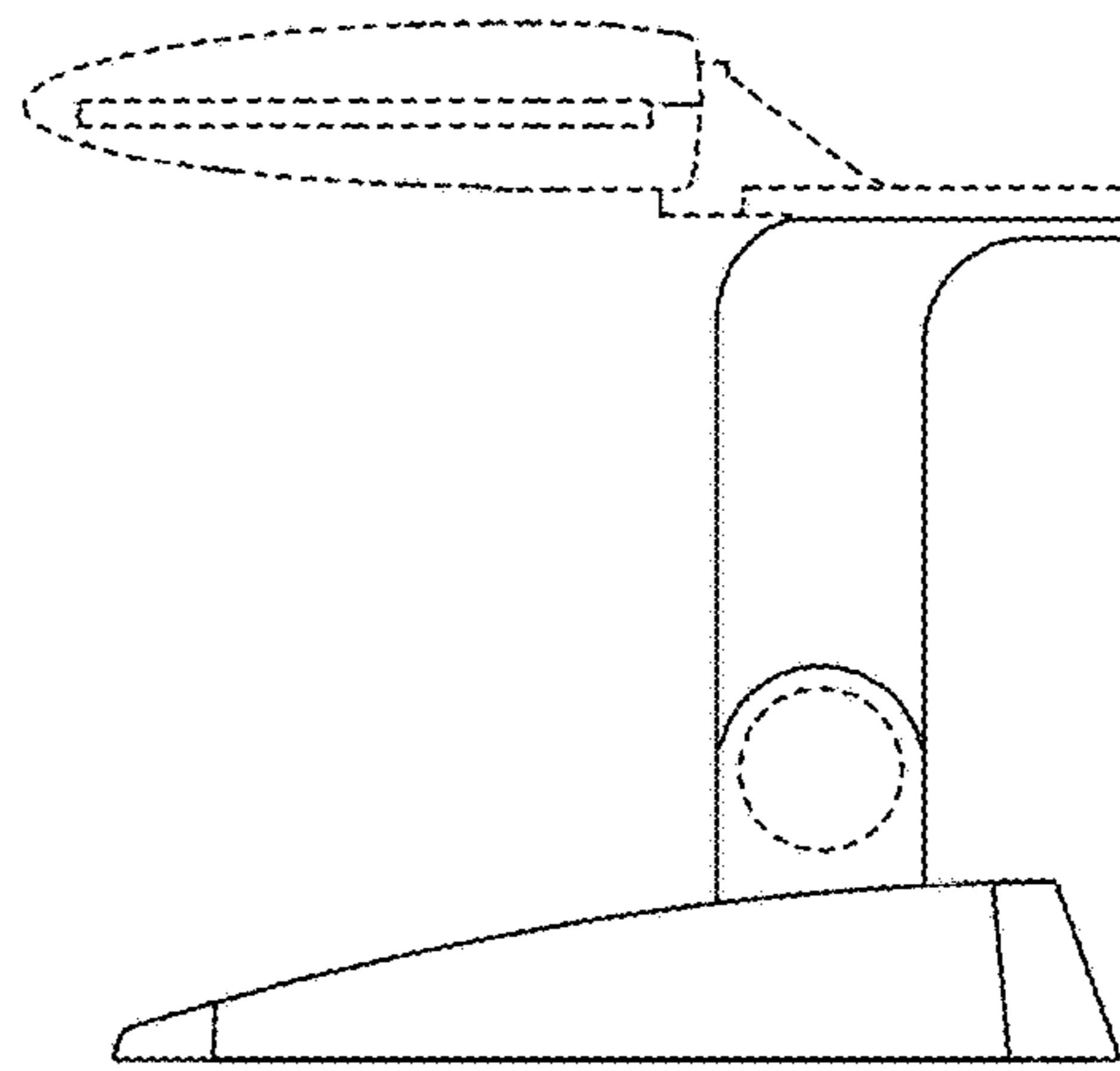


FIG. 3

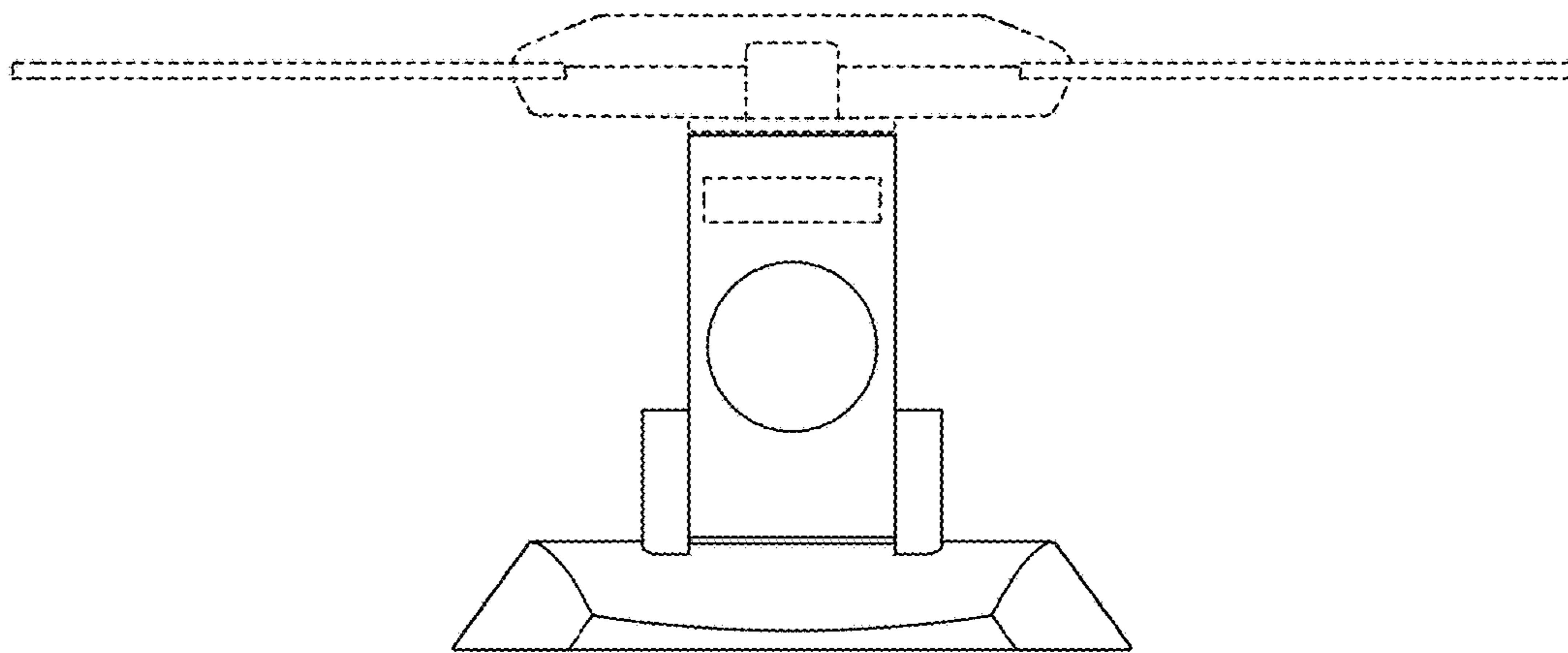


FIG. 2

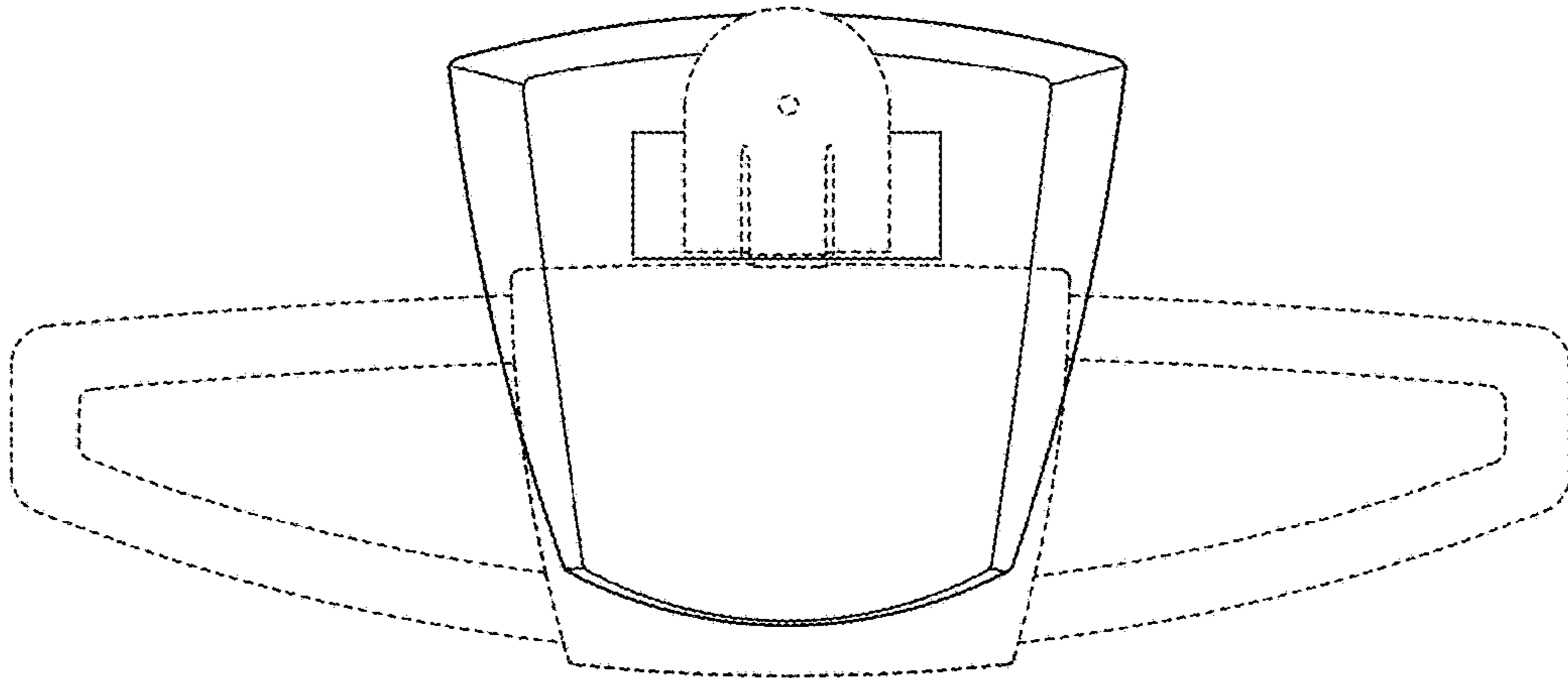


FIG. 5

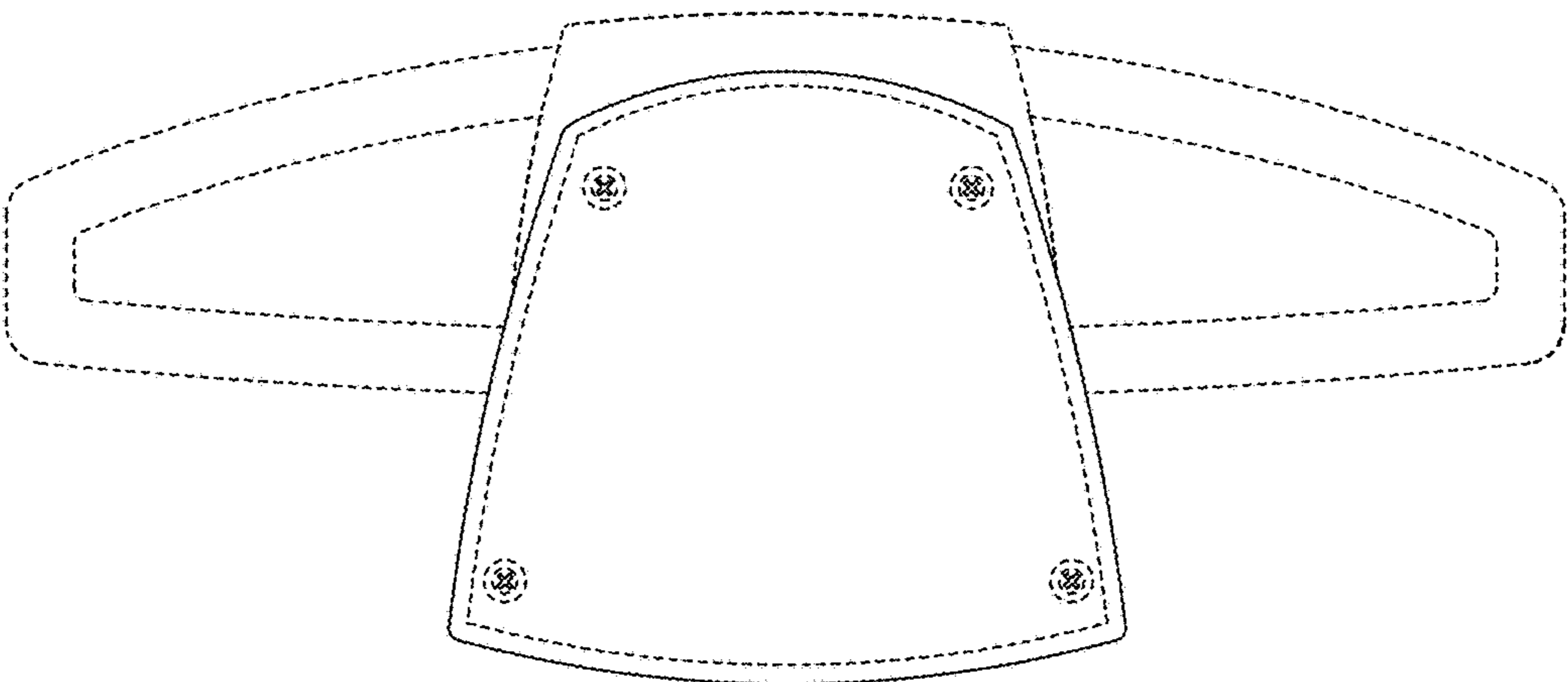


FIG. 4

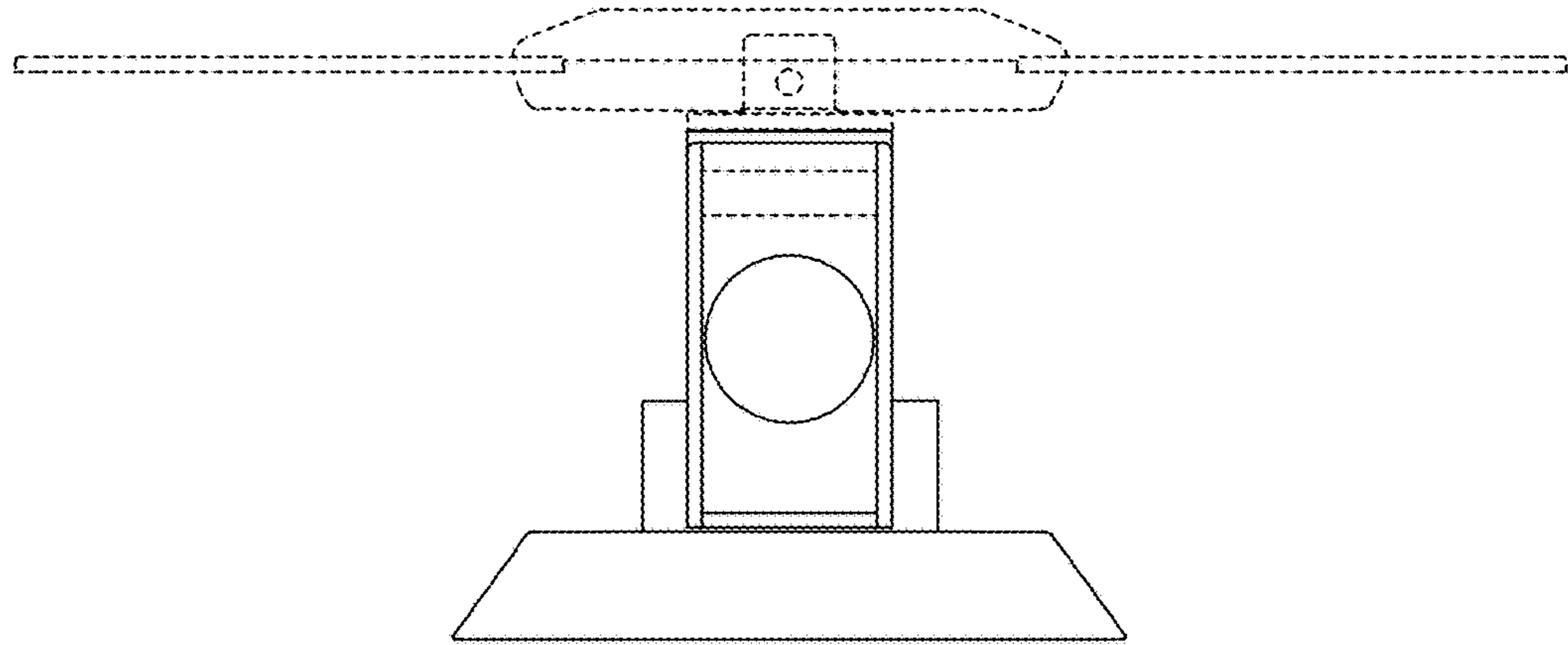


FIG. 6

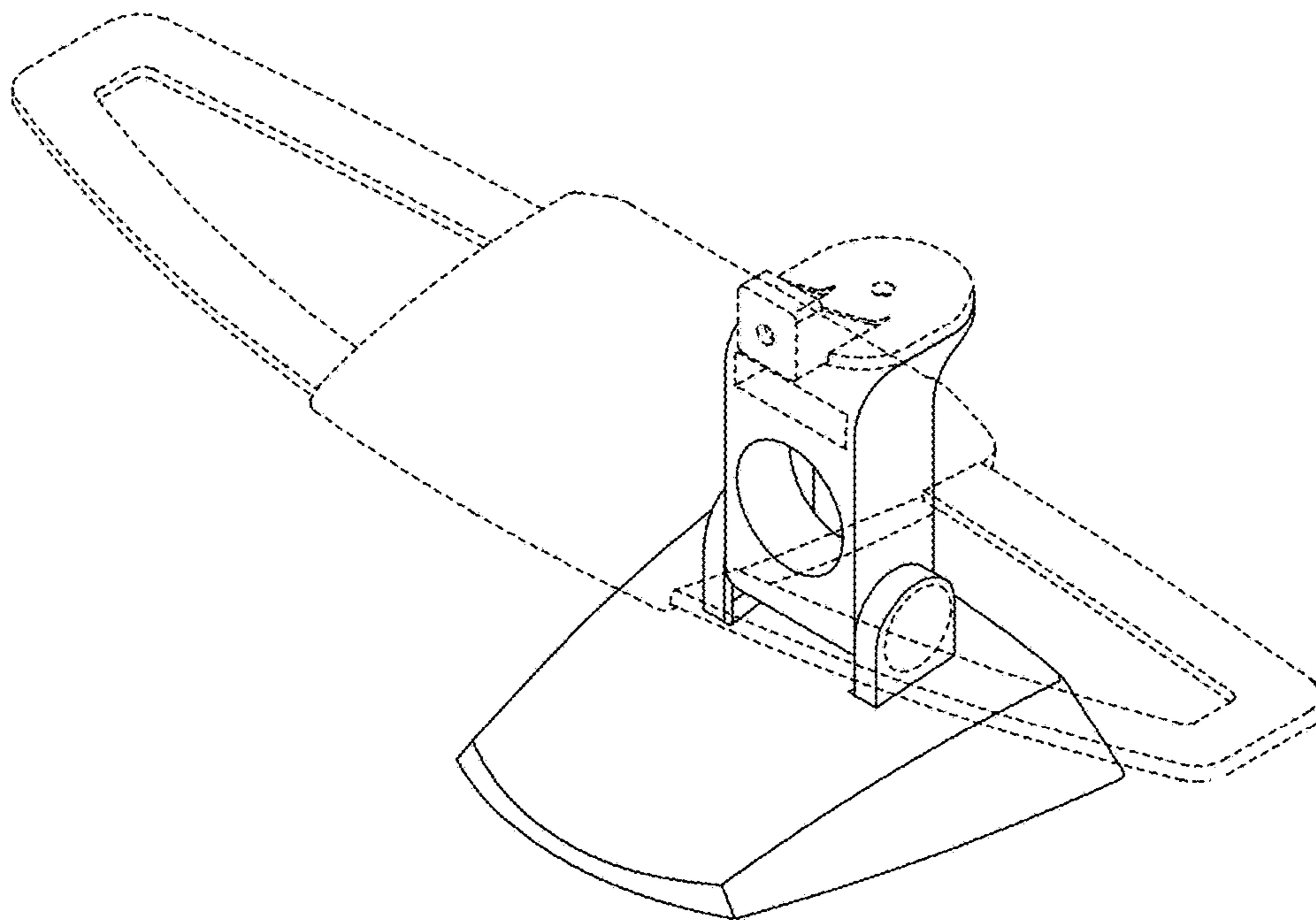


FIG. 7

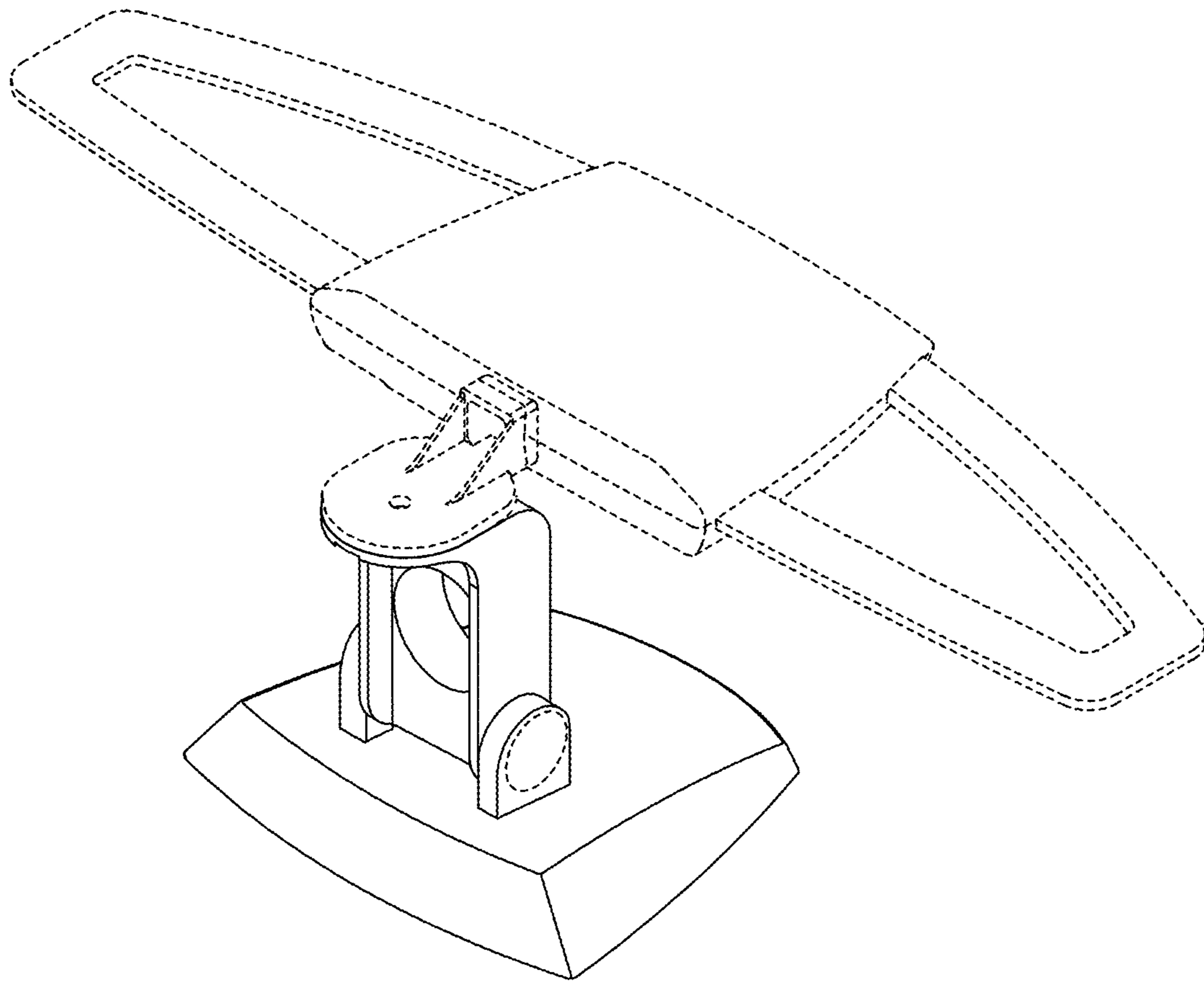


FIG. 8