



US00D834005S

(12) **United States Design Patent** (10) **Patent No.:** **US D834,005 S**
Sunwoo et al. (45) **Date of Patent:** **** Nov. 20, 2018**

(54) **MICROPHONE**

(56) **References Cited**

(71) Applicant: **Freedman Electronics Pty Limited**,
Silverwater (AU)
(72) Inventors: **Sun Kyung Sunwoo**, Silverwater (AU);
Samuel Dean Trewartha, Silverwater
(AU); **Jonathan Mark Woodcock**,
Silverwater (AU)
(73) Assignee: **Freedman Electronics Pty Ltd**,
Silverwater (AU)
(**) Term: **15 Years**

U.S. PATENT DOCUMENTS

D171,055 S *	12/1953	Schell	D14/225
5,357,577 A *	10/1994	Waji	H01J 7/24
			361/704
D400,540 S *	11/1998	Cruver, IV	D14/228
D447,131 S *	8/2001	Hough	D14/228
D504,126 S *	4/2005	Saulespurens	D14/228
D516,546 S *	3/2006	Sobol	D14/228
D551,661 S *	9/2007	Probst	D14/225
D594,856 S *	6/2009	Marshall	D14/228
D603,849 S *	11/2009	Durrett	D14/228
D604,274 S *	11/2009	Durrett	D14/228
D708,170 S *	7/2014	Duck	D14/225
D747,296 S *	1/2016	Wise	D14/227
D774,494 S *	12/2016	Sunwoo	D14/227

(21) Appl. No.: **29/610,528**

* cited by examiner

(22) Filed: **Jul. 13, 2017**

Primary Examiner — Katie Jane Stofko

(30) **Foreign Application Priority Data**

(74) *Attorney, Agent, or Firm* — Cooper & Dunham LLP

Jan. 13, 2017 (AU) 201710169

(57) **CLAIM**

(51) **LOC (11) Cl.** **14-02**

We claim the ornamental design for a microphone, as shown and described.

(52) **U.S. Cl.**

DESCRIPTION

USPC **D14/227**

(58) **Field of Classification Search**

USPC D14/224–229; D16/244; D17/99;
D6/681; 248/125.1, 166, 185.1;
381/355, 359, 361–363, 365, 366, 369,
381/375; 379/428.01, 428.04, 431,
379/433.03

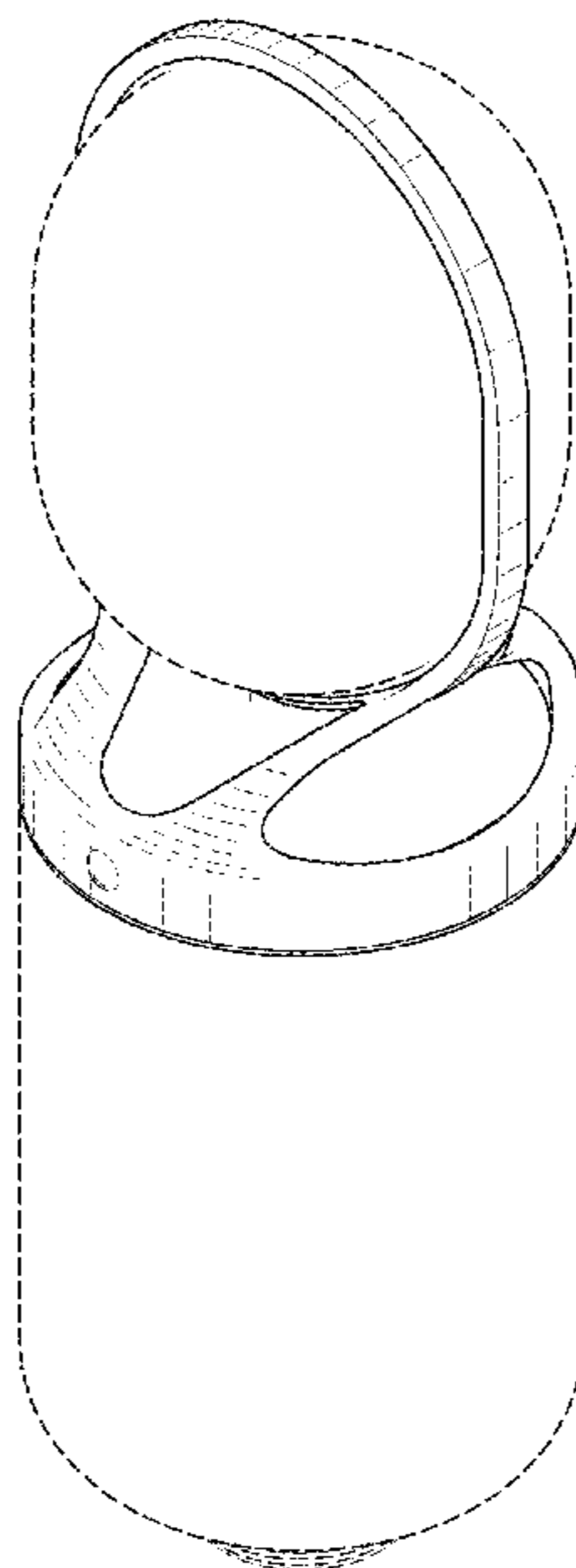
CPC . H04R 25/00; H04R 1/02; H04R 5/02; H04R
9/08; F16M 11/38; F16M 13/00; F16M
11/00

FIG. 1 is a front perspective view of a microphone;
FIG. 2 is a rear perspective view thereof;
FIG. 3 is a side perspective view thereof;
FIG. 4 is a right side elevational view thereof;
FIG. 5 is a front elevational view thereof;
FIG. 6 is a left side elevational view thereof;
FIG. 7 is a rear elevational view thereof, and,
FIG. 8 is a top plan view thereof.

The broken lines in FIGS. 1-8 illustrate portions of the microphone that form no part of the claimed design.

See application file for complete search history.

1 Claim, 8 Drawing Sheets



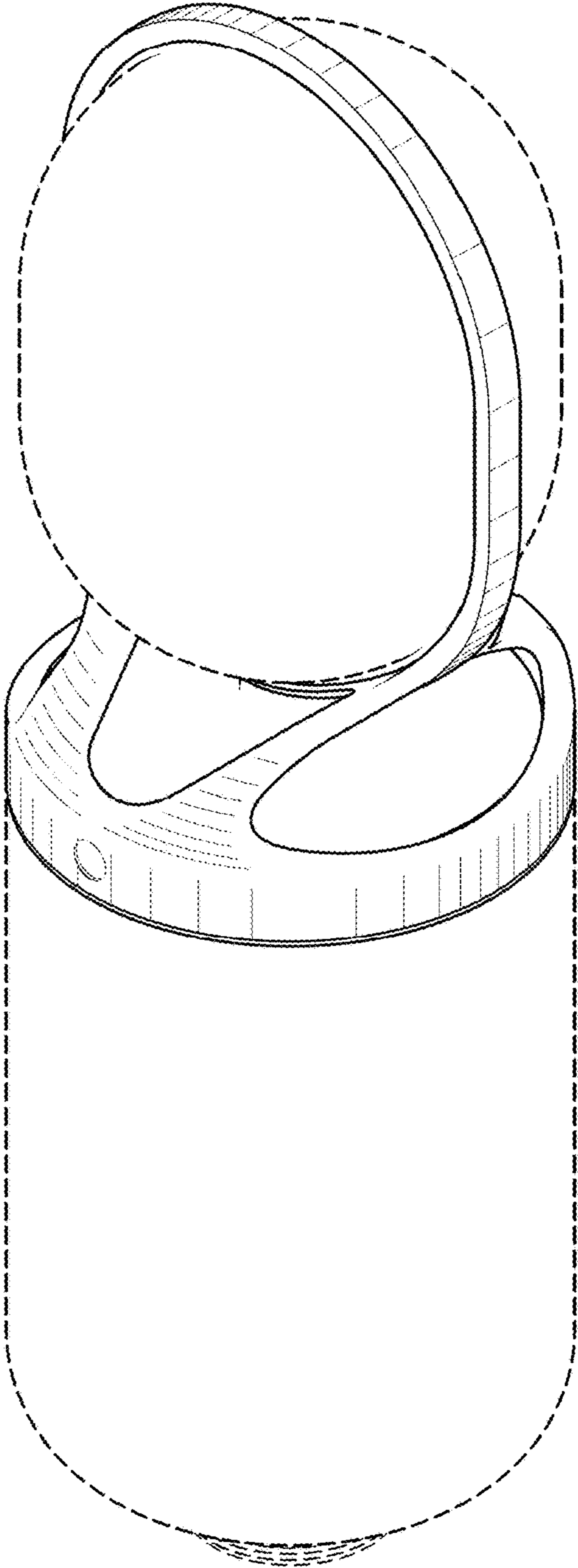


FIGURE 1

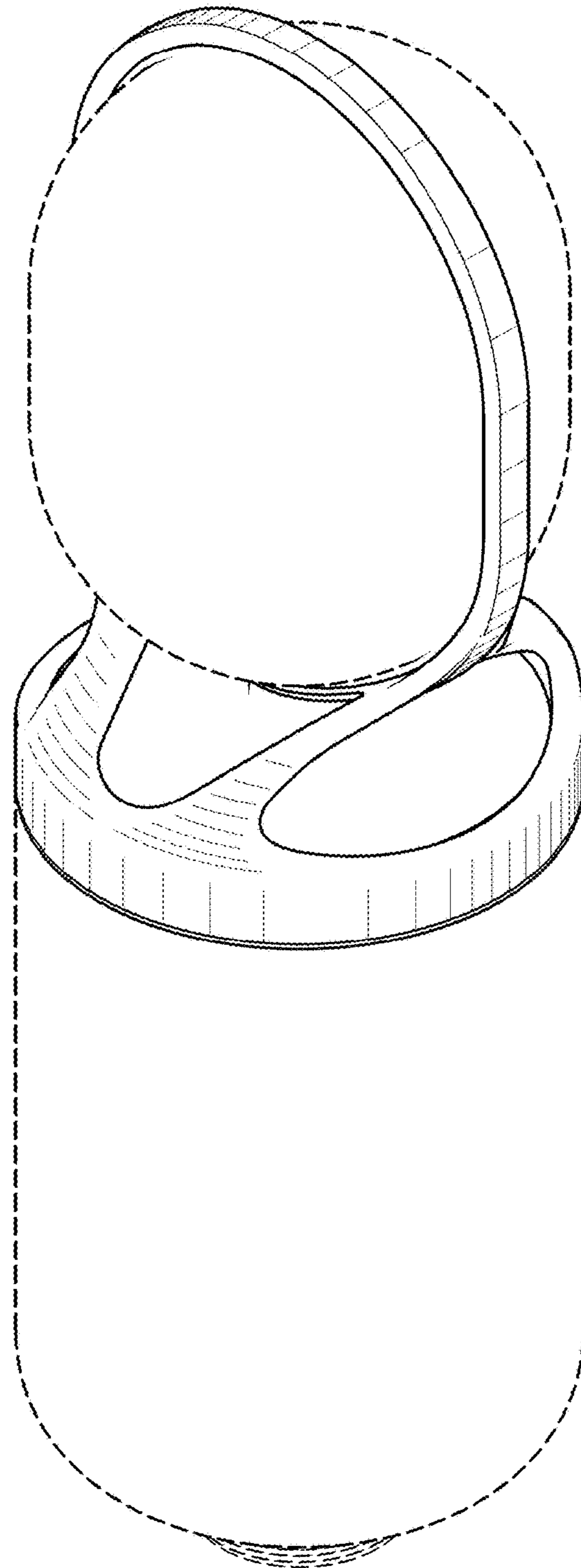


FIGURE 2

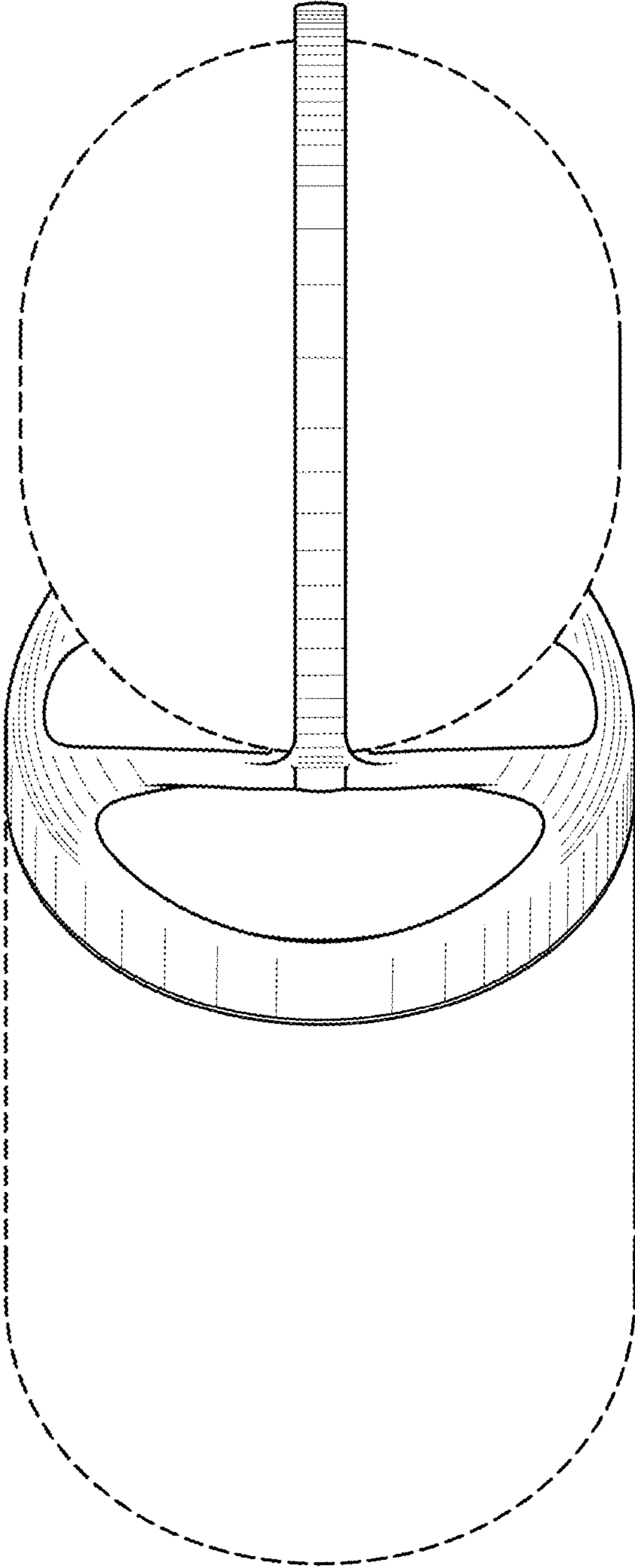


FIGURE 3

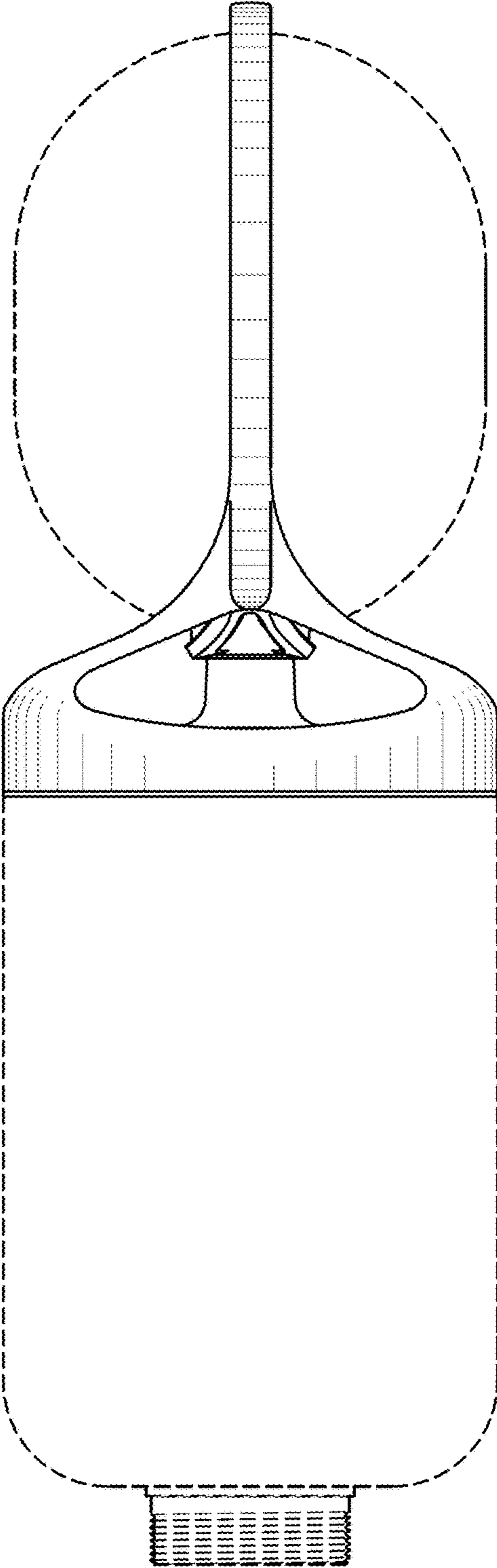


FIGURE 4

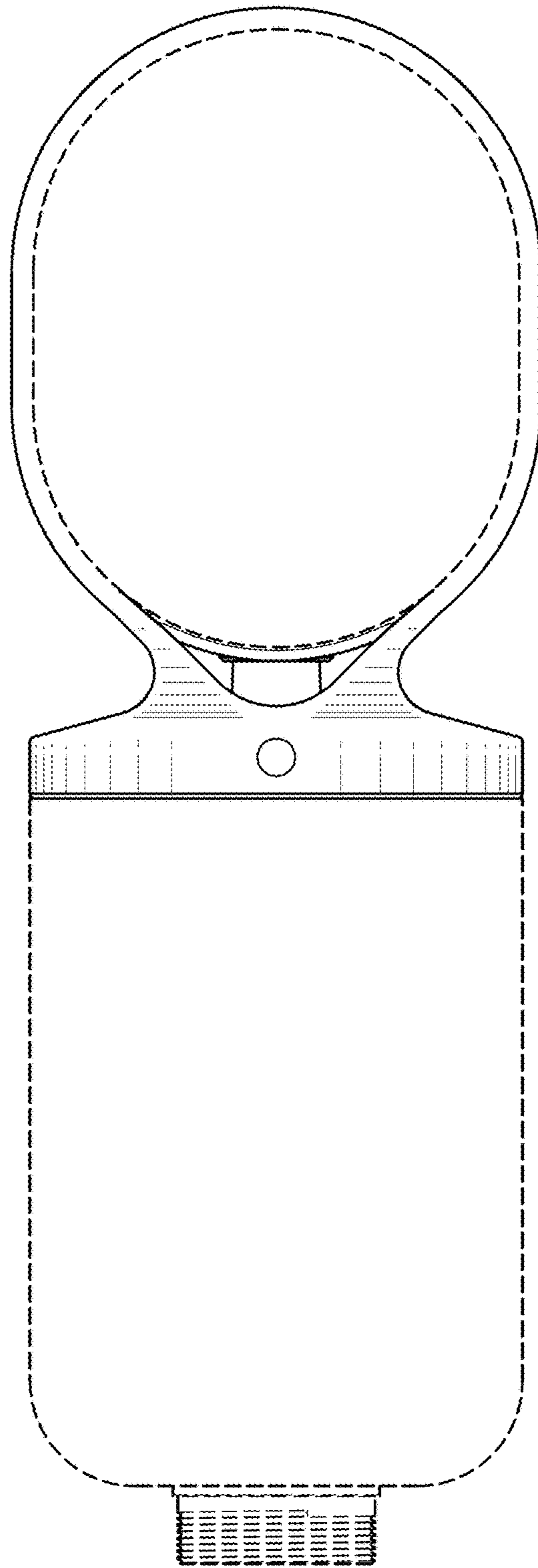


FIGURE 5

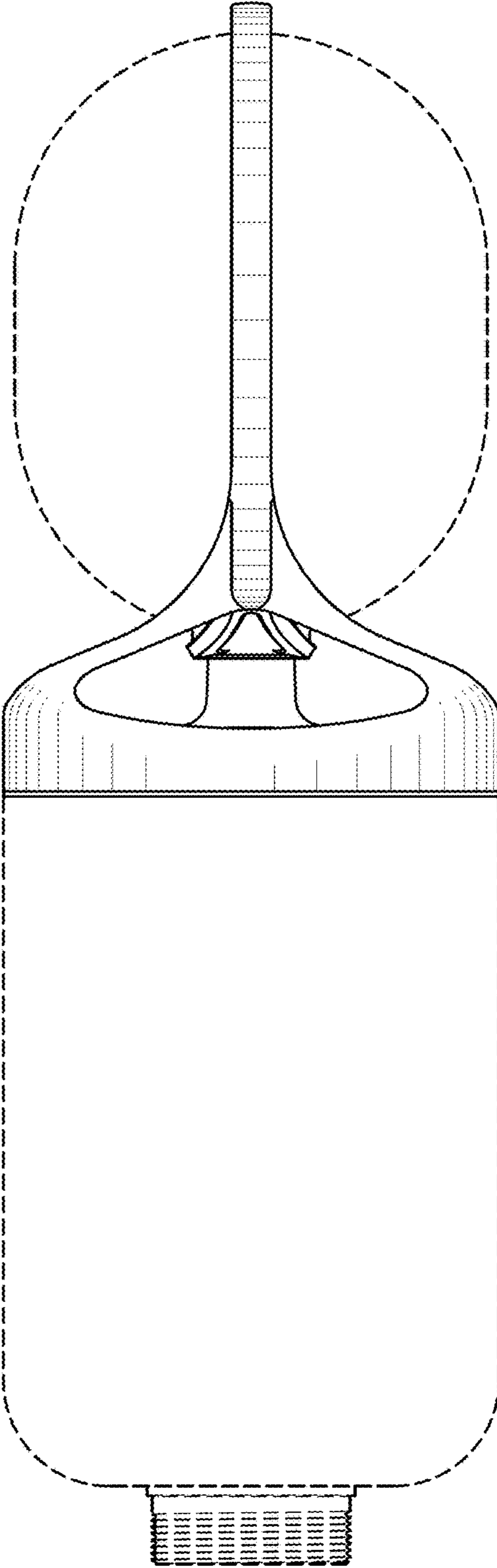


FIGURE 6

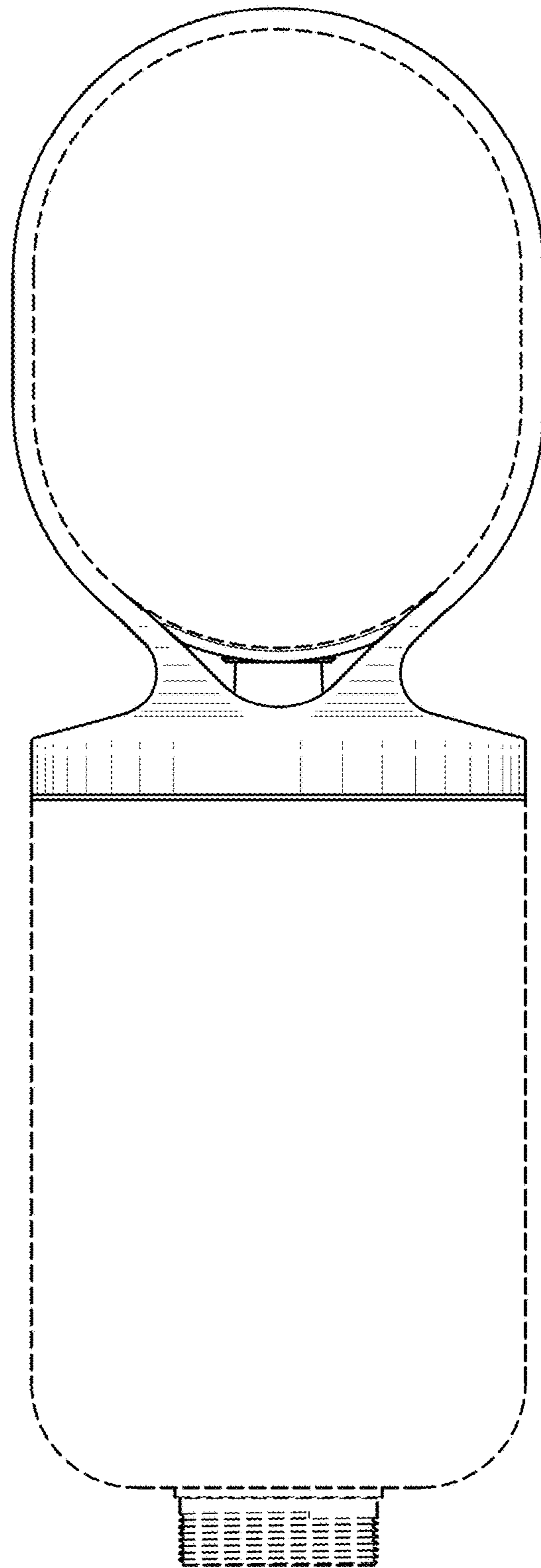


FIGURE 7

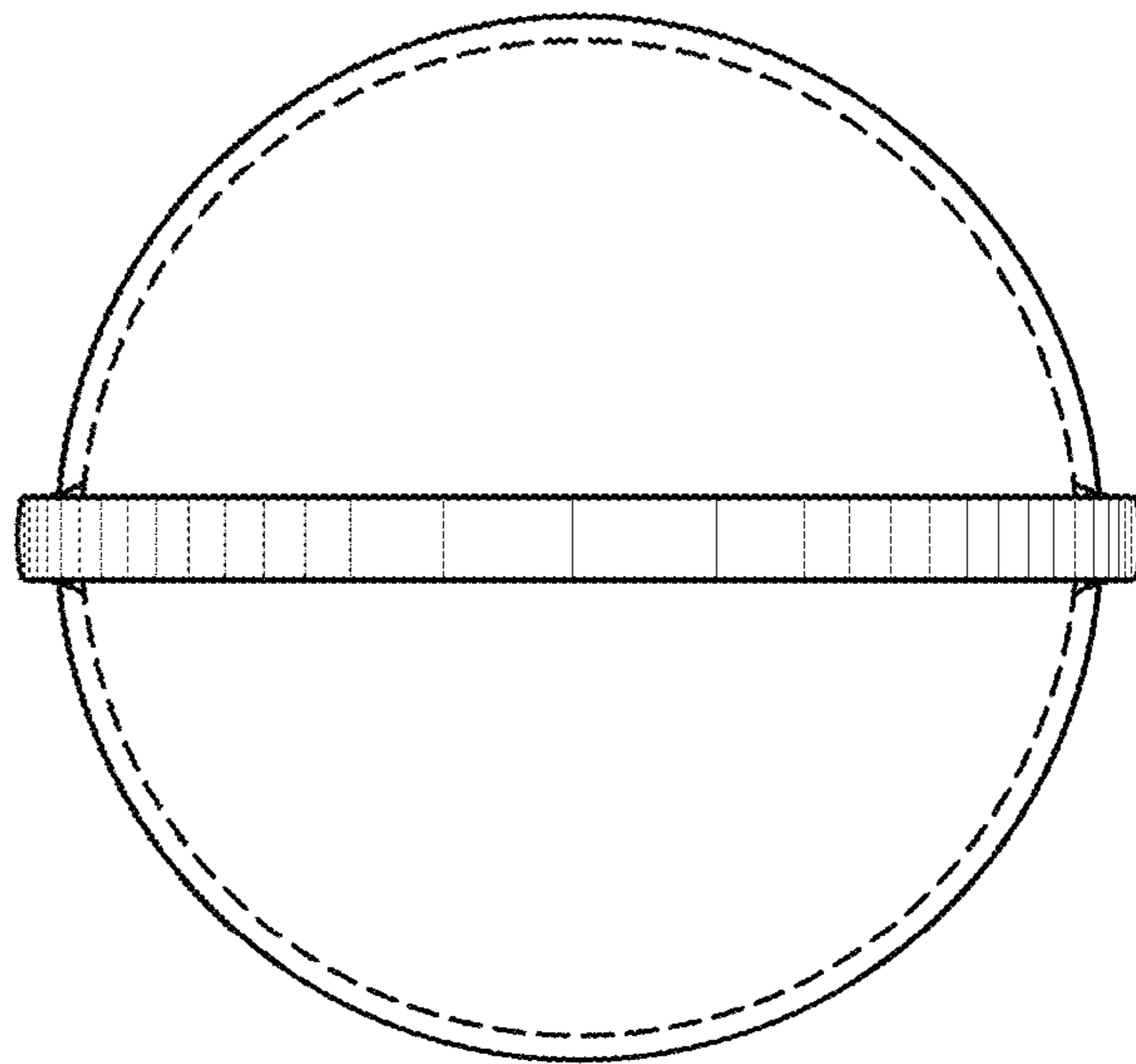


FIGURE 8