



US00D834004S

(12) **United States Design Patent**
Chen

(10) **Patent No.:** **US D834,004 S**

(45) **Date of Patent:** **** Nov. 20, 2018**

(54) **VERTICAL MICROPHONE**

(71) Applicant: **Ching-Wen Chen**, Taipei (TW)

(72) Inventor: **Ching-Wen Chen**, Taipei (TW)

(**) Term: **15 Years**

(21) Appl. No.: **29/611,936**

(22) Filed: **Jul. 26, 2017**

(51) **LOC (11) Cl.** **14-02**

(52) **U.S. Cl.**
USPC **D14/226**

(58) **Field of Classification Search**
USPC D14/224-229; D16/244; D17/99;
D6/681; 248/125.1, 166, 185.1;
381/355, 359, 361-363, 365, 366, 369,
381/375; 379/428.01, 428.04, 431,
379/433.03

CPC . H04R 25/00; H04R 1/02; H04R 5/02; H04R
9/08; F16M 11/38; F16M 13/00; F16M
11/00

See application file for complete search history.

(56) **References Cited**

U.S. PATENT DOCUMENTS

D171,055 S * 12/1953 Schell D14/225
4,383,487 A * 5/1983 Fitzner A47F 5/04
108/150

D309,266 S * 7/1990 Kaneko D10/15
D400,540 S * 11/1998 Cruver, IV D14/228
D439,892 S * 4/2001 Tal D14/149
D447,131 S * 8/2001 Hough D14/228
D516,546 S * 3/2006 Sobol D14/228
D535,645 S * 1/2007 Probst D14/225
D594,856 S * 6/2009 Marshall D14/228
D604,274 S * 11/2009 Durrett D14/228
D704,168 S * 5/2014 Godfrey D14/225
D737,253 S * 8/2015 Henricksen D14/228
D766,303 S * 9/2016 Anzures D14/486

* cited by examiner

Primary Examiner — Katie Jane Stofko

(57) **CLAIM**

The ornamental design for a vertical microphone, as shown.

DESCRIPTION

FIG. 1 is a front elevational view of a vertical microphone showing my new design;

FIG. 2 is a rear elevational view thereof;

FIG. 3 is a left side view thereof;

FIG. 4 is a right side view thereof;

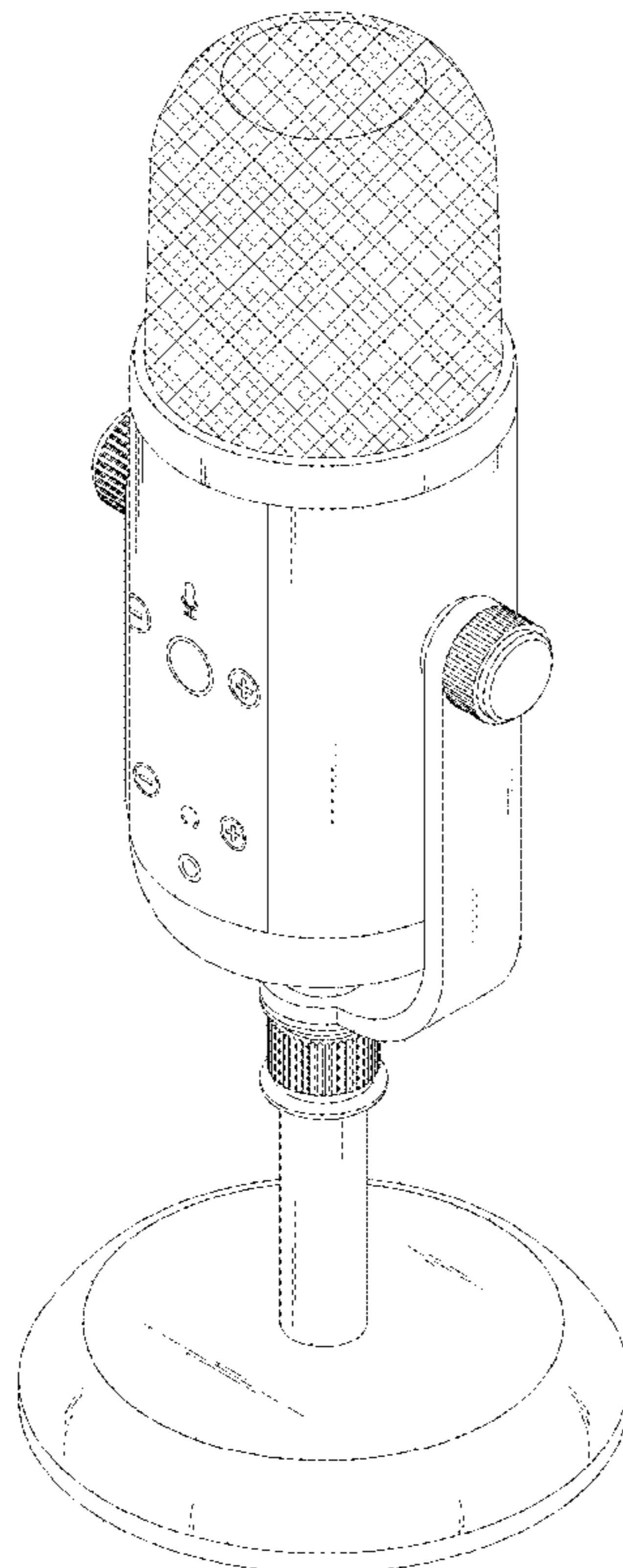
FIG. 5 is a top plan view thereof;

FIG. 6 is a bottom plan view thereof;

FIG. 7 is a perspective view thereof; and,

FIG. 8 is another perspective view thereof.

1 Claim, 7 Drawing Sheets



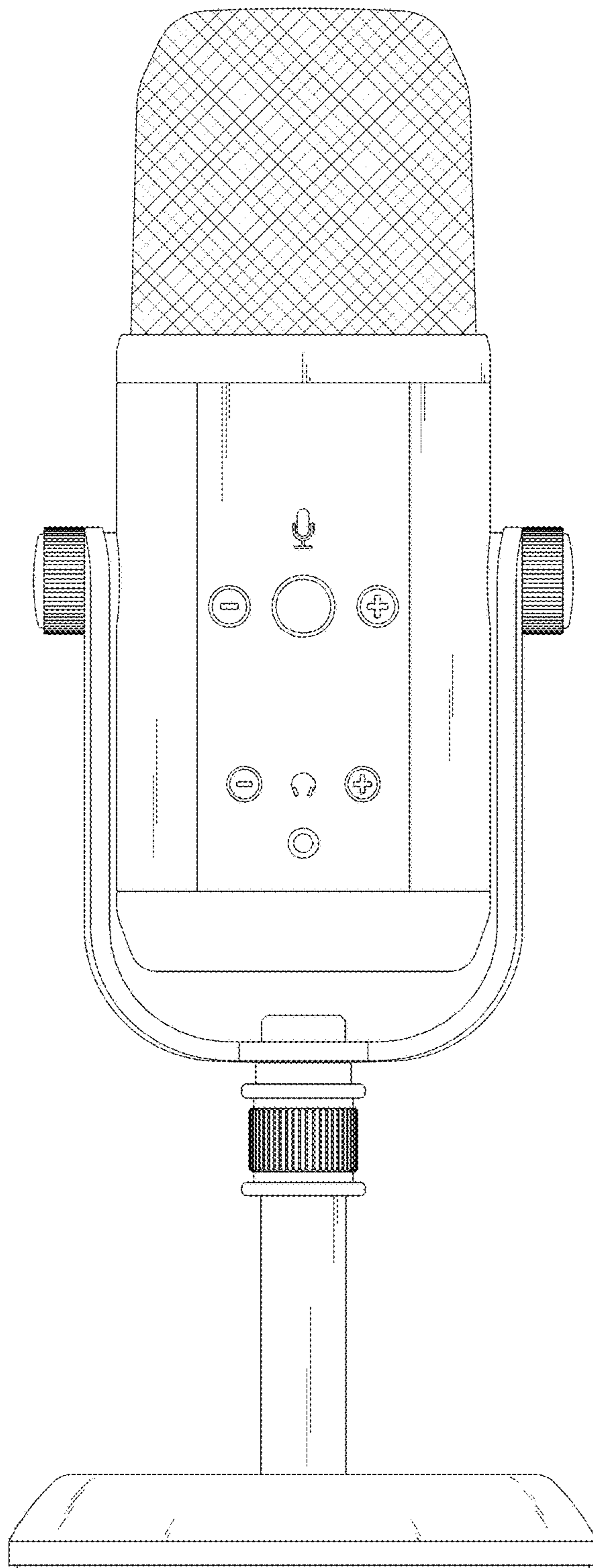


FIG. 1

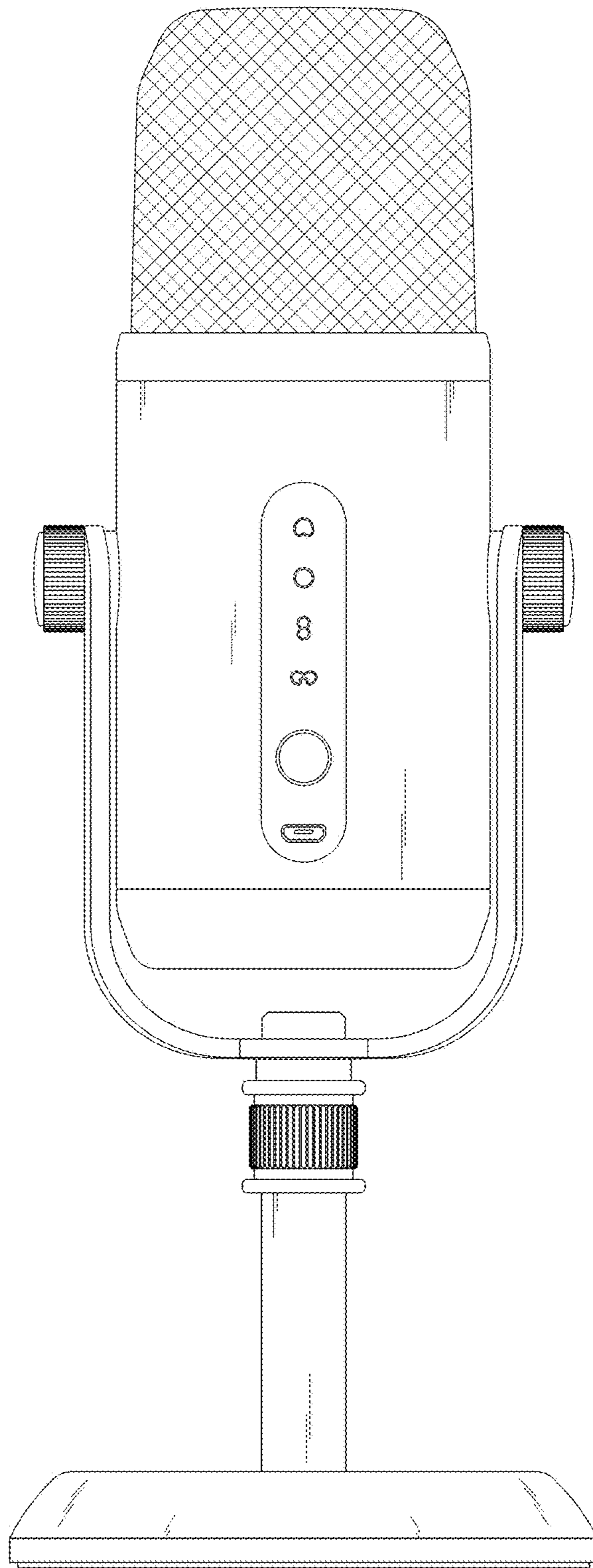


FIG. 2

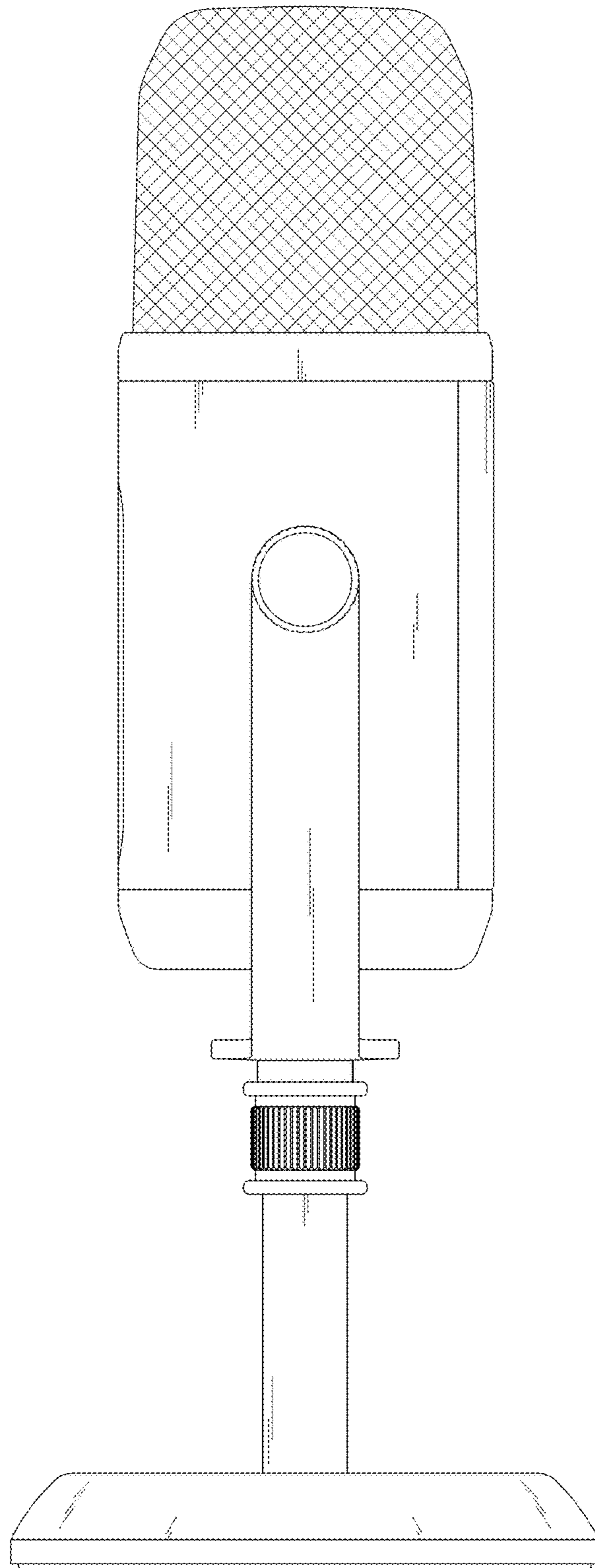


FIG. 3

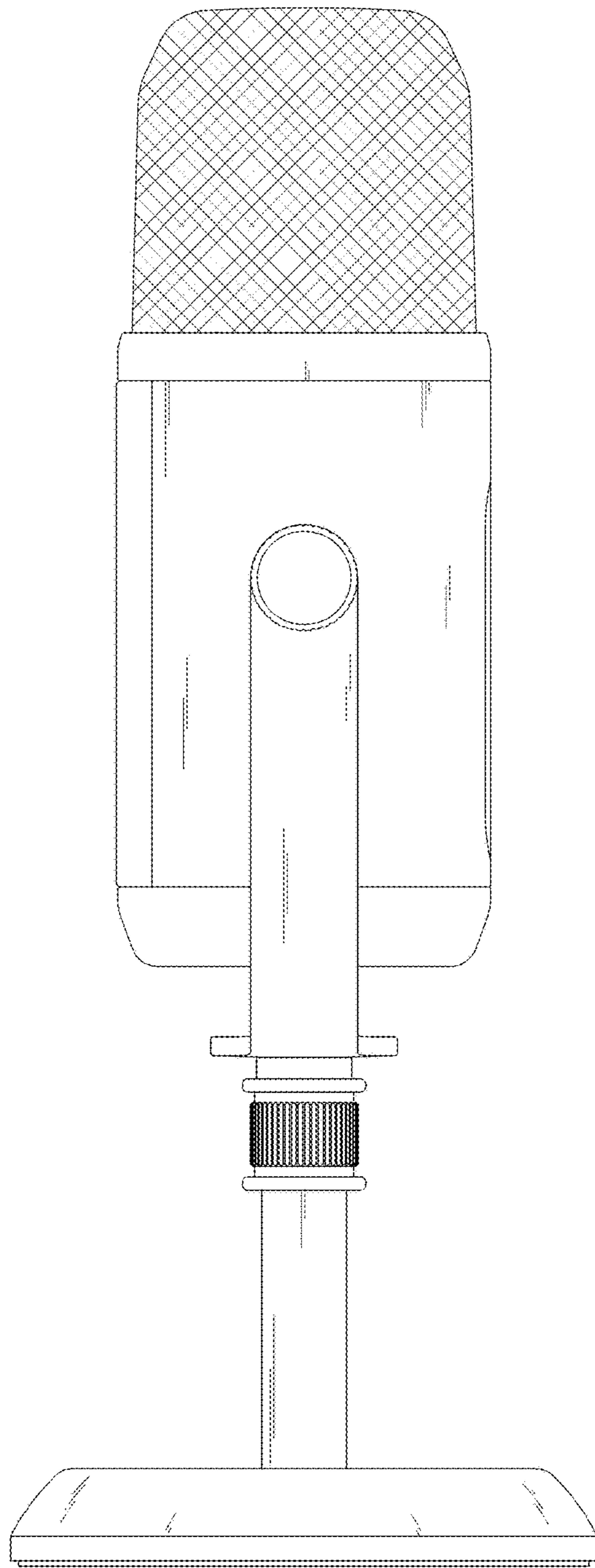


FIG. 4

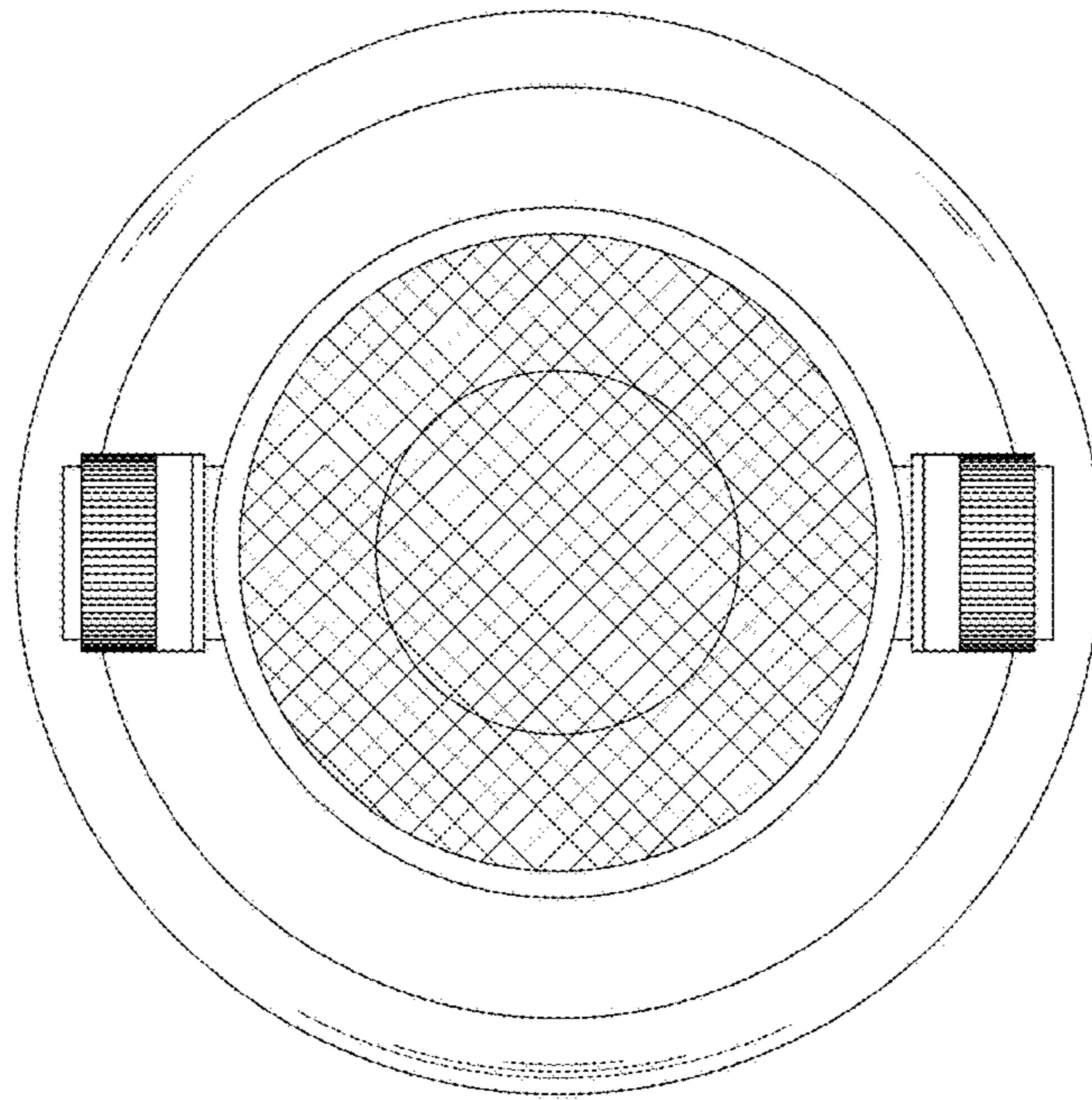


FIG. 5

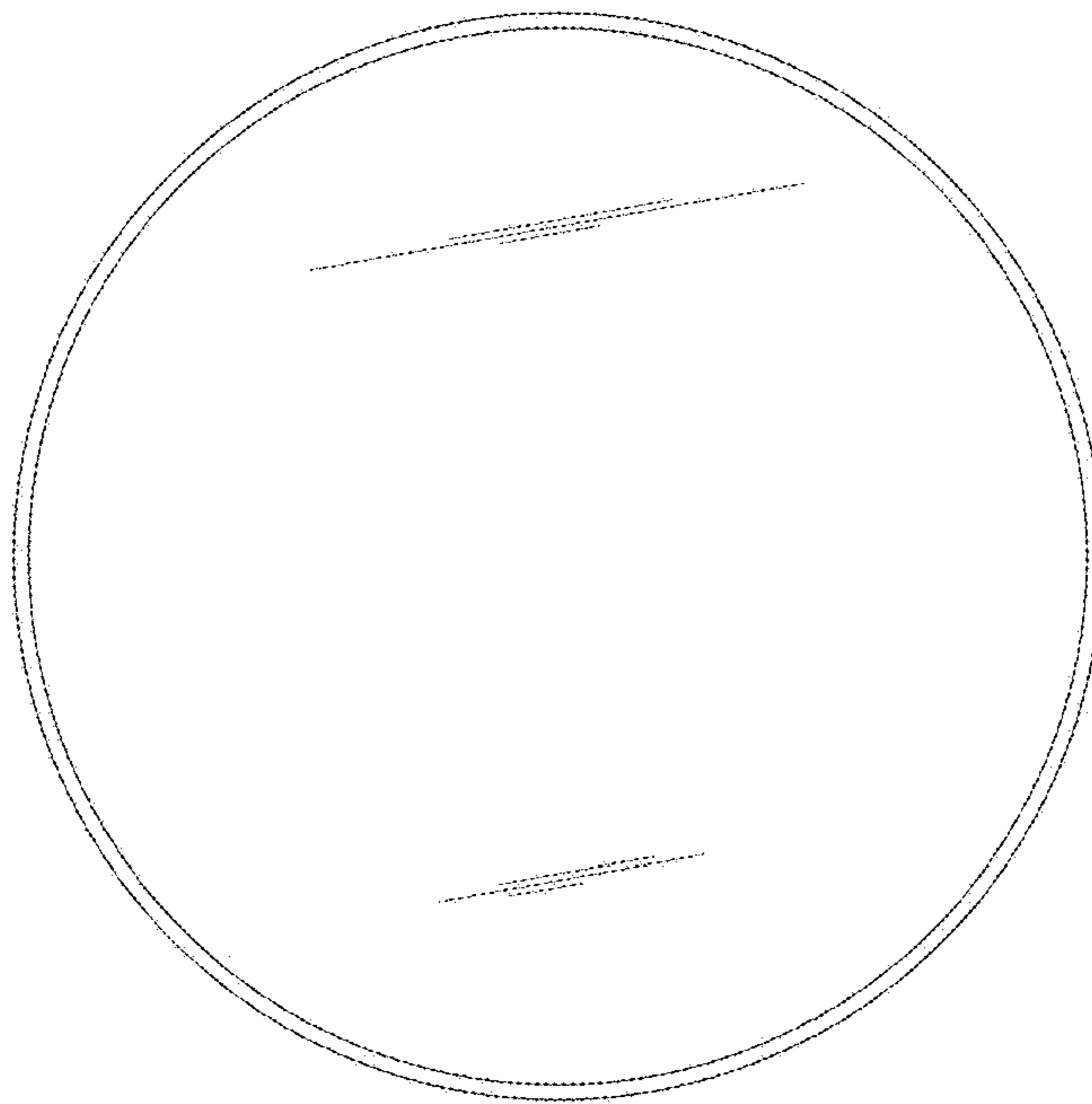


FIG. 6

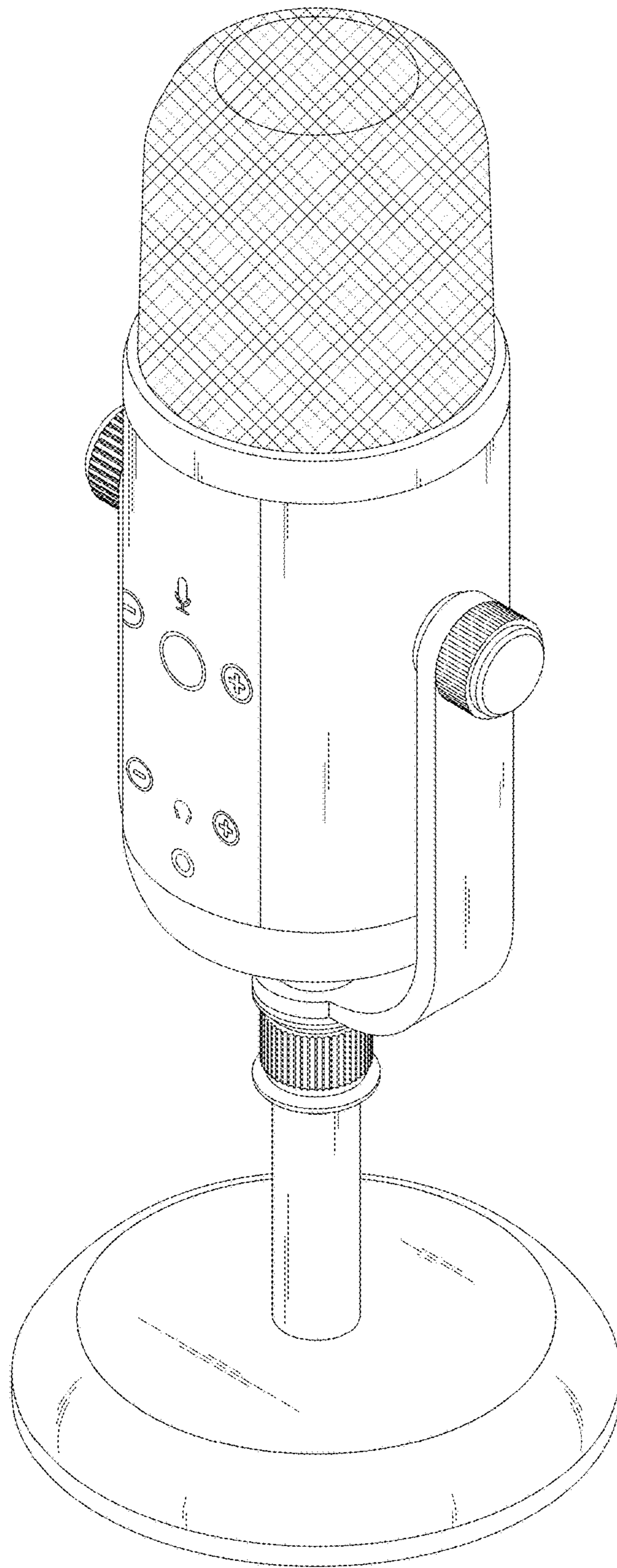


FIG. 7

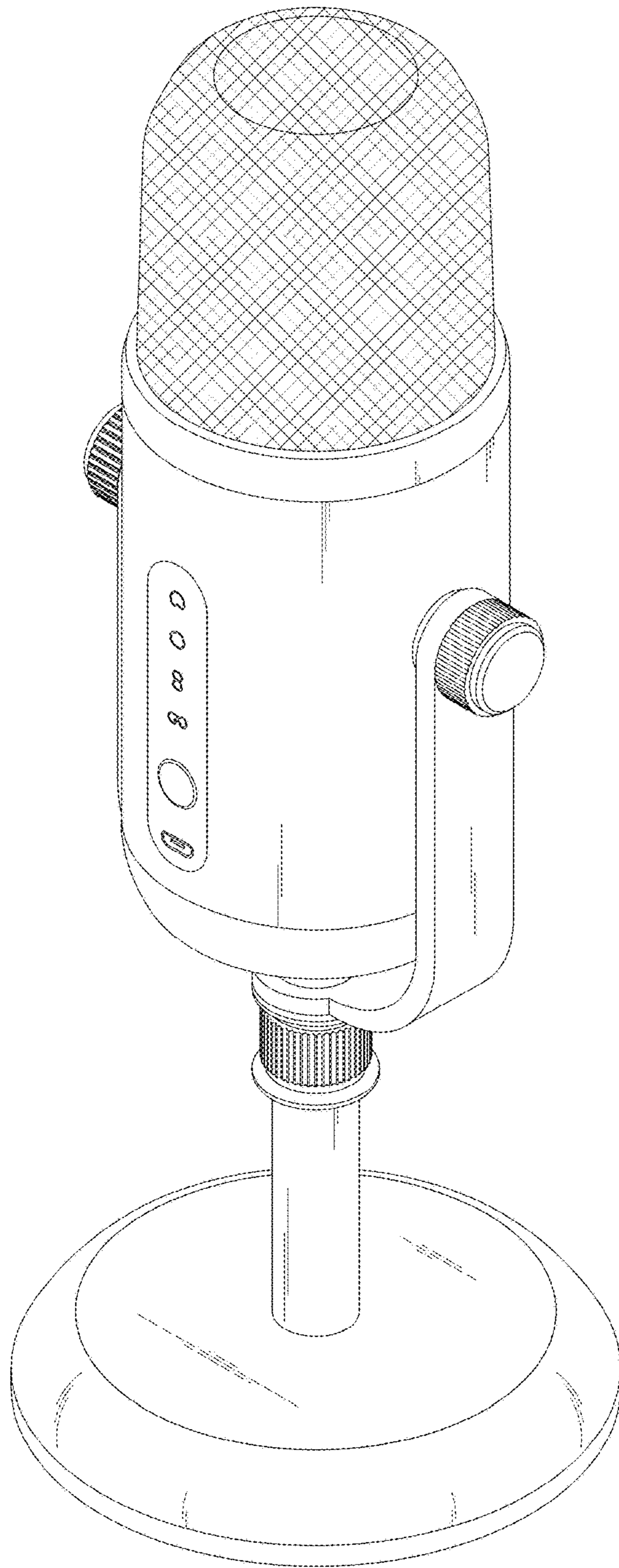


FIG. 8