



US00D834003S

(12) **United States Design Patent**  
**Maeda**

(10) **Patent No.:** **US D834,003 S**

(45) **Date of Patent:** **\*\* Nov. 20, 2018**

- (54) **EARPHONE**
- (71) Applicant: **JVC KENWOOD Corporation**,  
Yokohama-shi, Kanagawa (JP)
- (72) Inventor: **Takaaki Maeda**, Yokohama (JP)
- (73) Assignee: **JVC KENWOOD Corporation**,  
Yokohama-shi (JP)

(\*\*) Term: **15 Years**

(21) Appl. No.: **29/595,379**

(22) Filed: **Feb. 28, 2017**

(30) **Foreign Application Priority Data**

Aug. 31, 2016 (JP) ..... 2016-018684

(51) **LOC (11) Cl.** ..... **14-01**

(52) **U.S. Cl.**  
USPC ..... **D14/223**

(58) **Field of Classification Search**  
USPC ..... D14/223, 142, 188, 172; D24/174;  
379/430, 431, 420, 7, 330, 433; 381/380,  
381/381, 370, 687, 330, 315; 455/90.3,  
455/575.1, 569.1; 181/129, 130, 135  
CPC ..... H04R 1/10; H04R 25/00; H04R 1/105;  
H04R 1/1066; H04R 1/1016; H04R 1/04  
See application file for complete search history.

(56) **References Cited**

**U.S. PATENT DOCUMENTS**

- D174,053 S \* 2/1955 Norris ..... 455/351
- D179,150 S \* 11/1956 Norris ..... D14/192
- D180,694 S \* 7/1957 Norris ..... D14/192
- 3,826,987 A \* 7/1974 Stevens ..... H04B 1/088  
381/380
- 4,453,050 A \* 6/1984 Enokido ..... H04R 1/1066  
381/330
- D284,859 S \* 7/1986 Okada ..... D14/192

- 4,727,582 A \* 2/1988 de Vries ..... H04R 25/604  
381/322
- 4,917,504 A \* 4/1990 Scott ..... H04M 1/05  
381/330
- D321,881 S \* 11/1991 Hopewell ..... D14/192
- D322,481 S \* 12/1991 van Mourik ..... D24/174
- 5,260,997 A \* 11/1993 Gattey ..... H04M 1/05  
379/430
- D375,959 S \* 11/1996 Davis ..... D14/206
- 5,625,171 A \* 4/1997 Marshall ..... H04R 1/1058  
181/130
- 5,960,094 A \* 9/1999 Jensen ..... H04M 1/05  
381/374
- D447,743 S \* 9/2001 Ma ..... D14/223
- D469,422 S \* 1/2003 Nguyen ..... D14/205
- D470,121 S \* 2/2003 Nguyen ..... D14/205

(Continued)

*Primary Examiner* — Paula Allen Greene

(74) *Attorney, Agent, or Firm* — Amin, Turocy & Watson  
LLP

(57) **CLAIM**

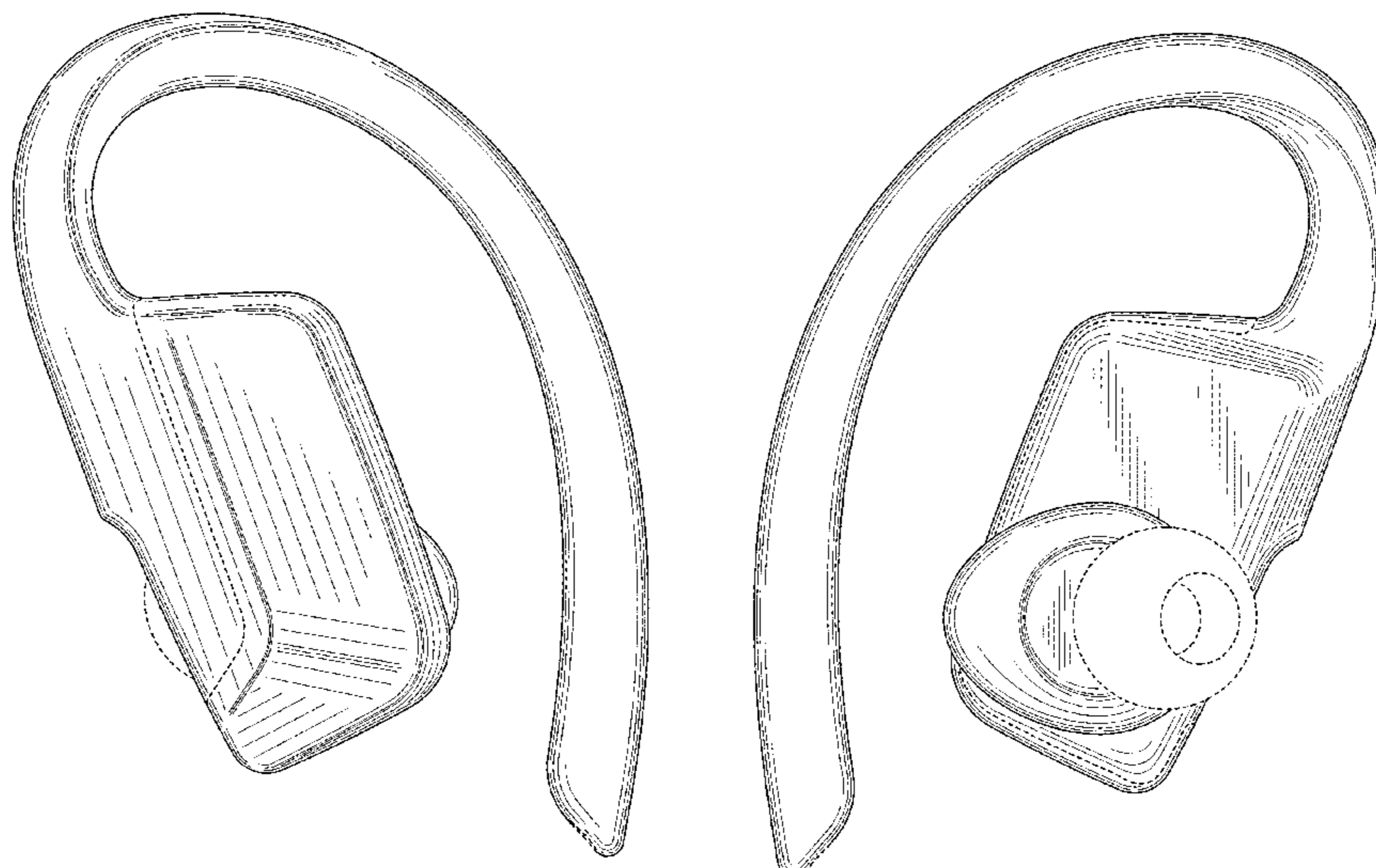
The ornamental design for an earphone, as shown and described.

**DESCRIPTION**

FIG. 1 is a front and left side perspective view of an earphone showing my new design;  
FIG. 2 is a front elevational view thereof;  
FIG. 3 is a rear elevational view thereof;  
FIG. 4 is a top plan view thereof;  
FIG. 5 is a bottom plan view thereof;  
FIG. 6 is a right side elevational view thereof; and,  
FIG. 7 is a left side elevational view thereof.

The broken lines immediately adjacent the shaded areas represent a structure that is not part of the claimed design to show an environment in which the design is associated, and all other broken lines are also directed to the environment and are for illustrative purposes only; all the broken lines form no part of the claimed design.

**1 Claim, 7 Drawing Sheets**



(56)

References Cited

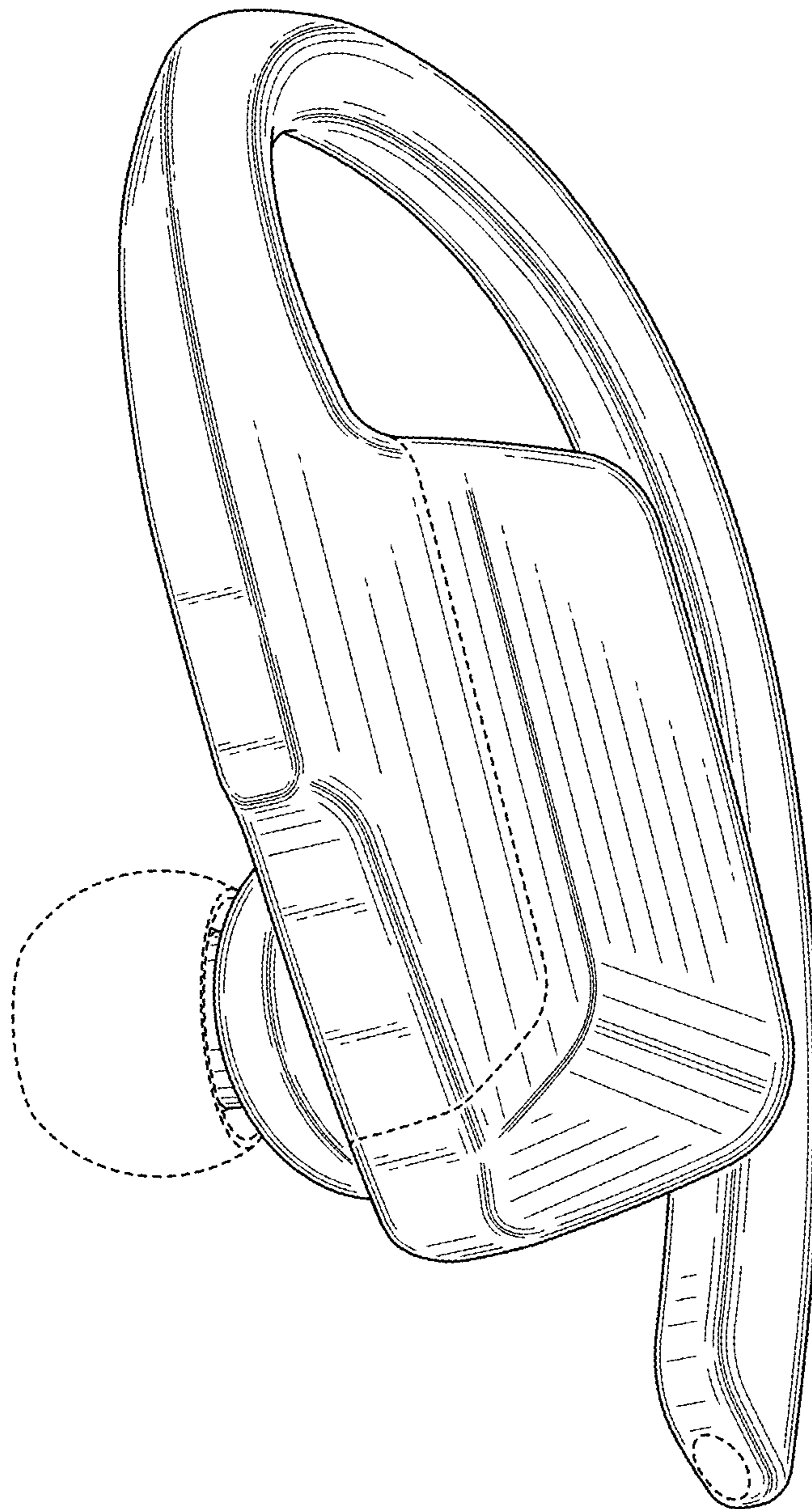
U.S. PATENT DOCUMENTS

D470,129 S \* 2/2003 Hlas ..... D14/205  
6,584,208 B2 \* 6/2003 Cheng ..... H04R 1/083  
381/374  
D488,461 S \* 4/2004 Okada ..... D14/223  
D498,227 S \* 11/2004 Dyer ..... D14/205  
D504,673 S \* 5/2005 Dyer ..... D14/205  
6,922,476 B2 \* 7/2005 Nassimi ..... H04R 1/1058  
381/380  
D515,069 S \* 2/2006 Naito ..... D14/205  
D521,492 S \* 5/2006 Ham ..... D14/205  
D541,787 S \* 5/2007 Ma ..... D14/205  
7,231,056 B2 \* 6/2007 Chen ..... H04R 1/1066  
381/374  
7,539,525 B2 \* 5/2009 Kim ..... H04M 1/05  
379/433.13  
D603,847 S \* 11/2009 Chung ..... D14/223  
7,648,005 B2 \* 1/2010 Leong ..... A61F 11/08  
128/867  
D617,780 S \* 6/2010 Jaakkola ..... D14/223  
D618,211 S \* 6/2010 Oguro ..... D14/205  
7,778,410 B2 \* 8/2010 Liu ..... H04M 1/05  
379/430  
D624,529 S \* 9/2010 Huang ..... D14/206  
D625,297 S \* 10/2010 Tseng ..... D14/223  
D634,305 S \* 3/2011 Hoggarth ..... D14/223  
D635,960 S \* 4/2011 Gondo ..... D14/223  
7,925,037 B2 \* 4/2011 Te Riet ..... H04M 1/05  
381/330  
8,090,135 B2 \* 1/2012 Lin ..... H04R 1/083  
381/381

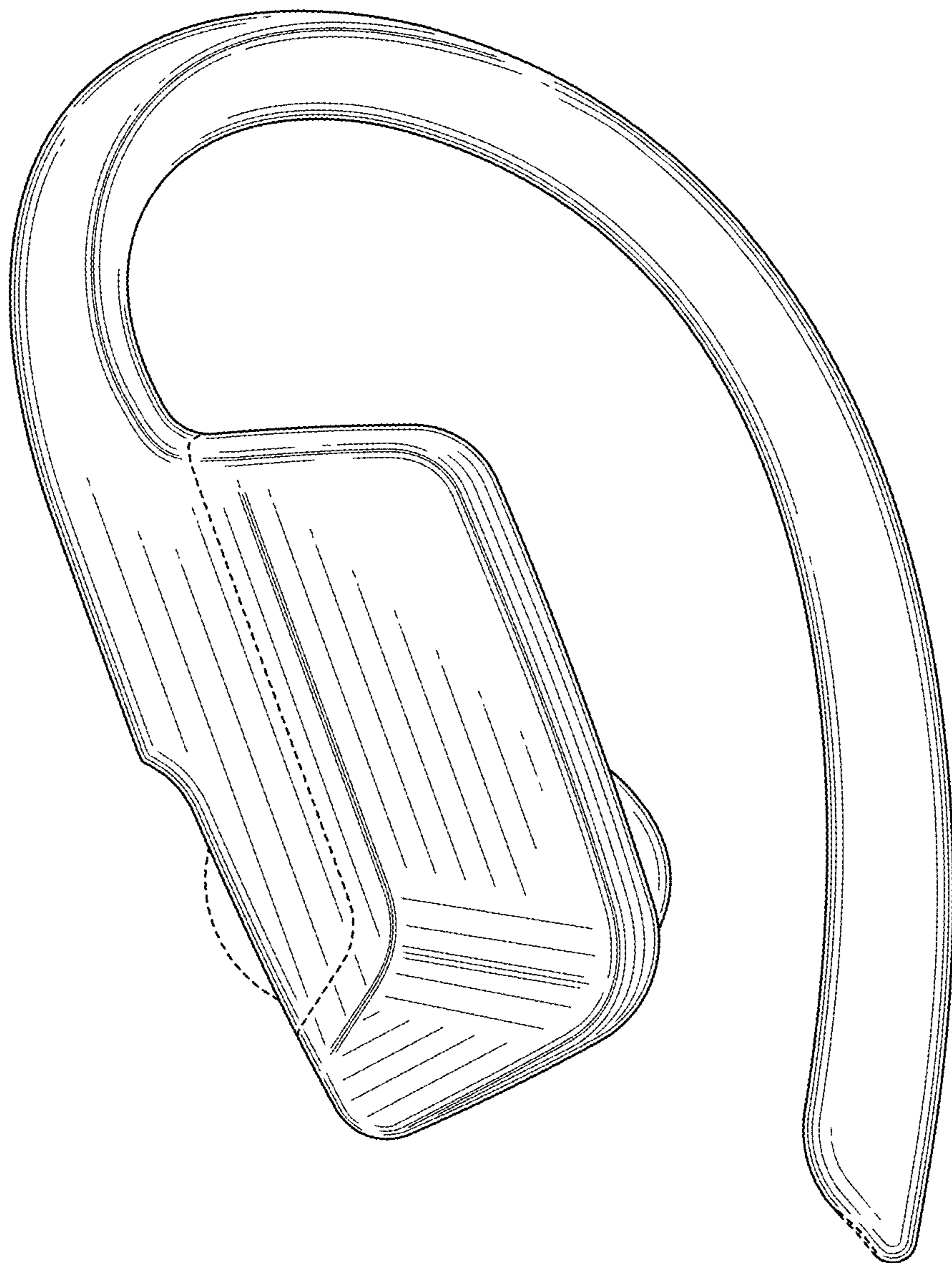
8,265,328 B2 \* 9/2012 Milde ..... H04R 1/1066  
381/370  
D685,768 S \* 7/2013 Mogili ..... D14/223  
D687,021 S \* 7/2013 Yuen ..... D14/223  
D695,275 S \* 12/2013 Chee ..... D14/223  
D710,333 S \* 8/2014 Davies ..... H04R 1/10  
D14/223  
D712,382 S \* 9/2014 Brunner ..... D14/223  
D713,385 S \* 9/2014 Burgett ..... D14/223  
D713,822 S \* 9/2014 Paradise ..... D14/206  
D718,283 S \* 11/2014 Thompson ..... D14/223  
D725,637 S \* 3/2015 Nakajima ..... D14/223  
D743,945 S \* 11/2015 Brunner ..... D14/223  
D761,770 S \* 7/2016 Kanou ..... D14/206  
D775,610 S \* 1/2017 Nakajima ..... D14/223  
D780,721 S \* 3/2017 Brunner ..... D14/223  
D795,226 S \* 8/2017 Lian ..... D14/217  
D796,490 S \* 9/2017 Lian ..... D14/217  
D806,684 S \* 1/2018 Tsai ..... D14/223  
D807,331 S \* 1/2018 Morimoto ..... D14/223  
D809,486 S \* 2/2018 Arimoto ..... D14/223  
2002/0106100 A1 \* 8/2002 Kao ..... H04M 1/05  
381/381  
2003/0044038 A1 \* 3/2003 Shirata ..... H04R 1/105  
381/381  
2003/0235321 A1 \* 12/2003 Lu ..... H04R 1/1066  
381/381  
2004/0264720 A1 \* 12/2004 Huang ..... H04M 1/05  
381/315  
2013/0216087 A1 \* 8/2013 MacDonald ..... H04R 1/105  
381/381

\* cited by examiner

*FIG. 1*



*FIG. 2*



*FIG. 3*

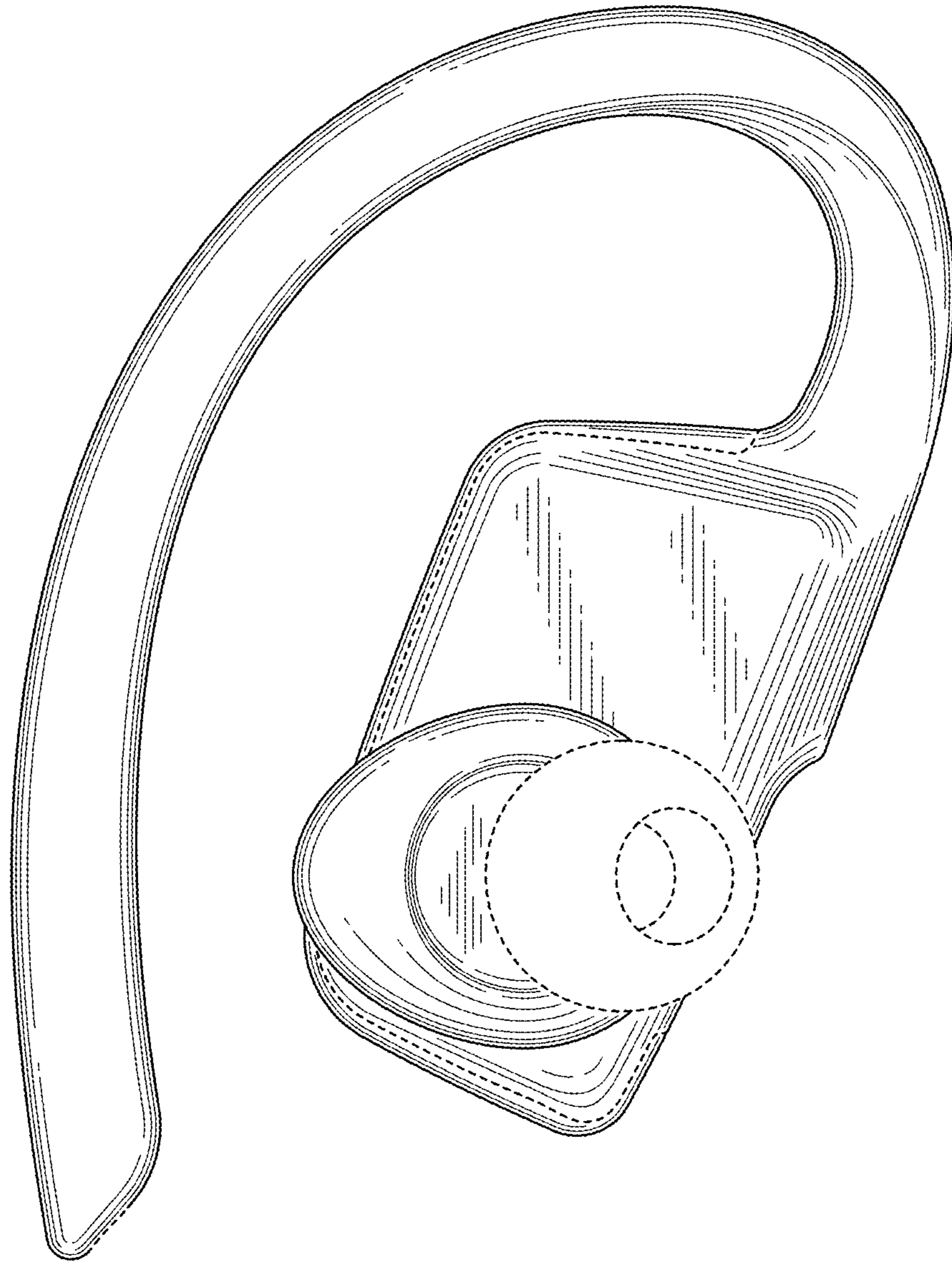
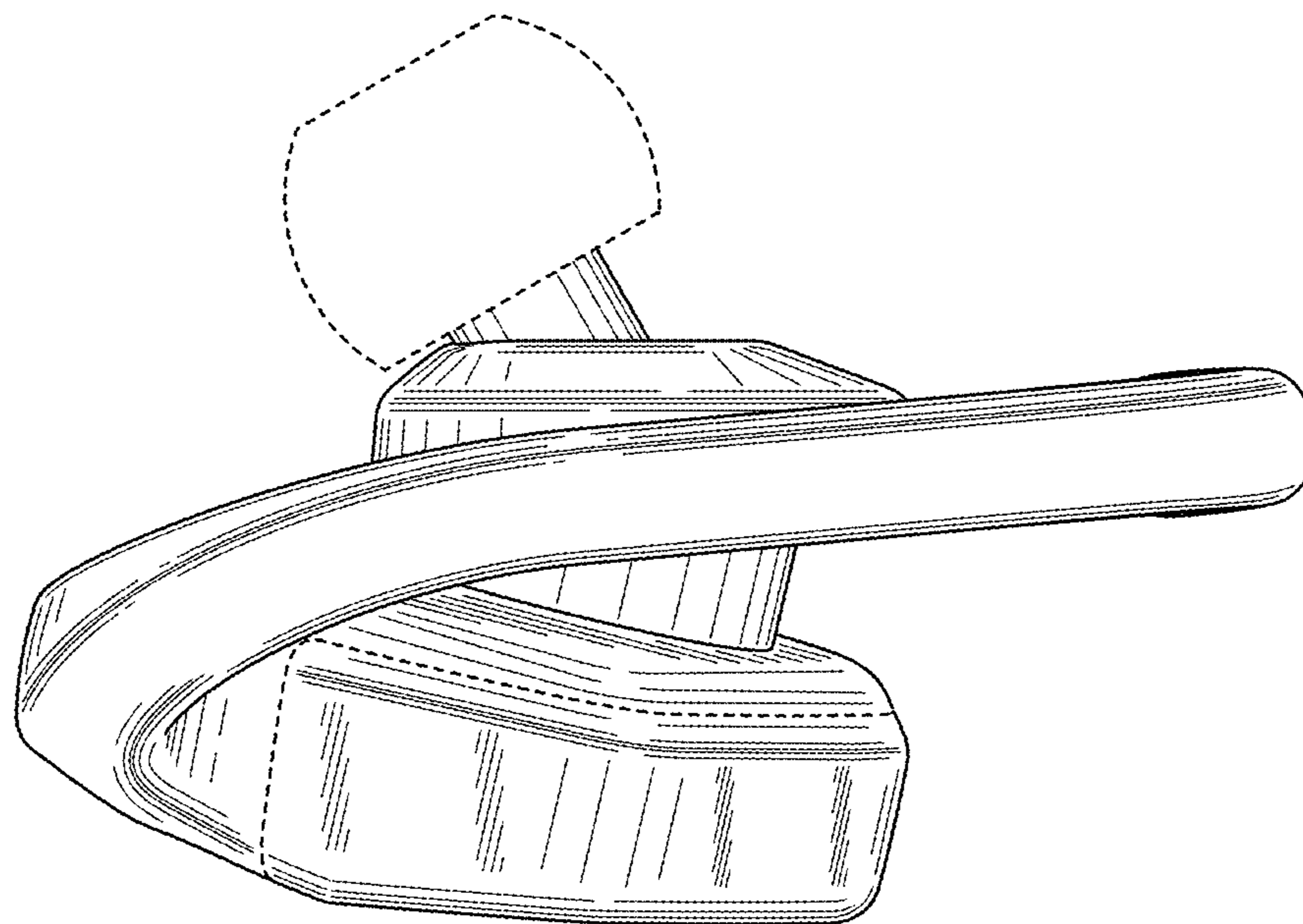
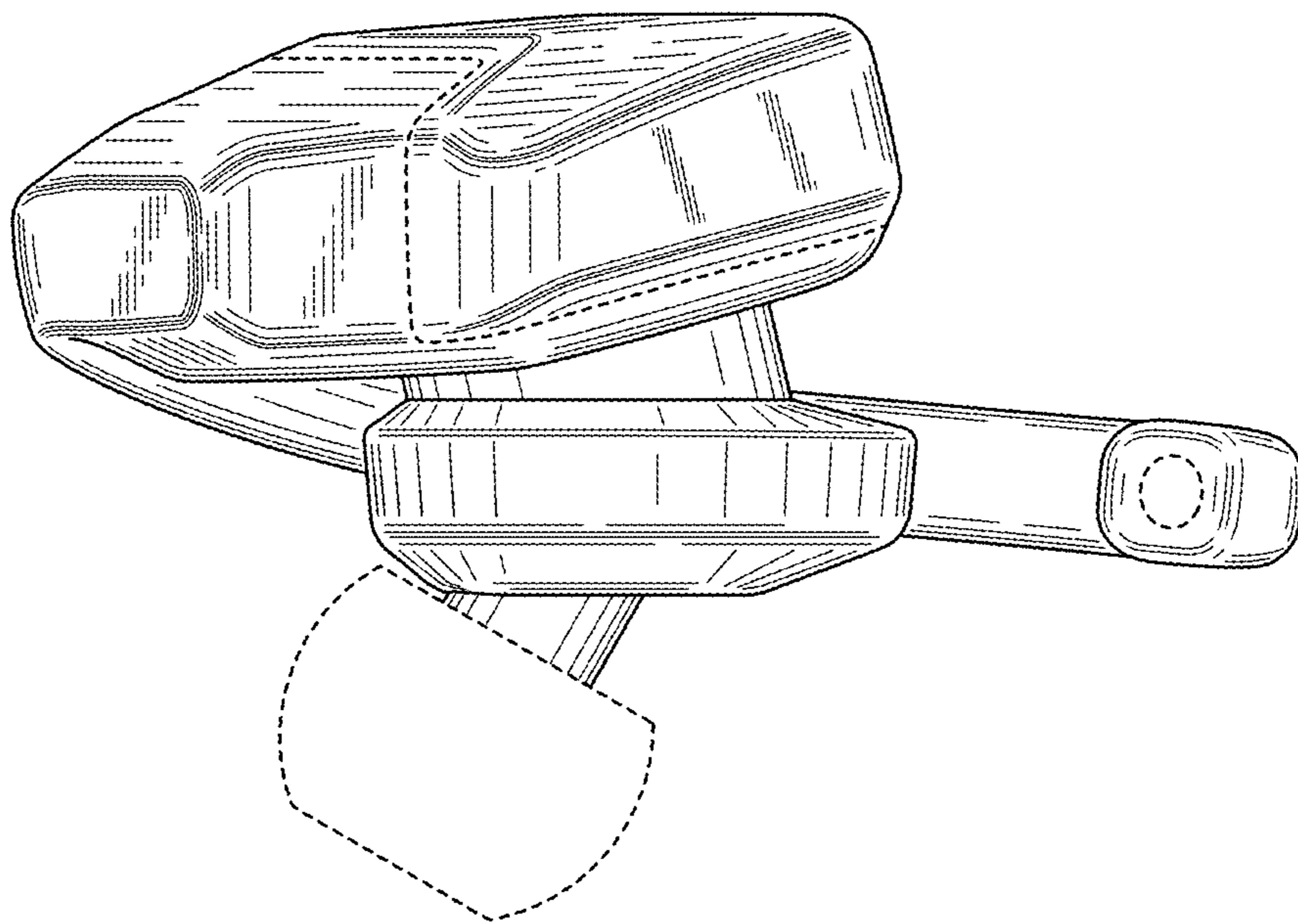


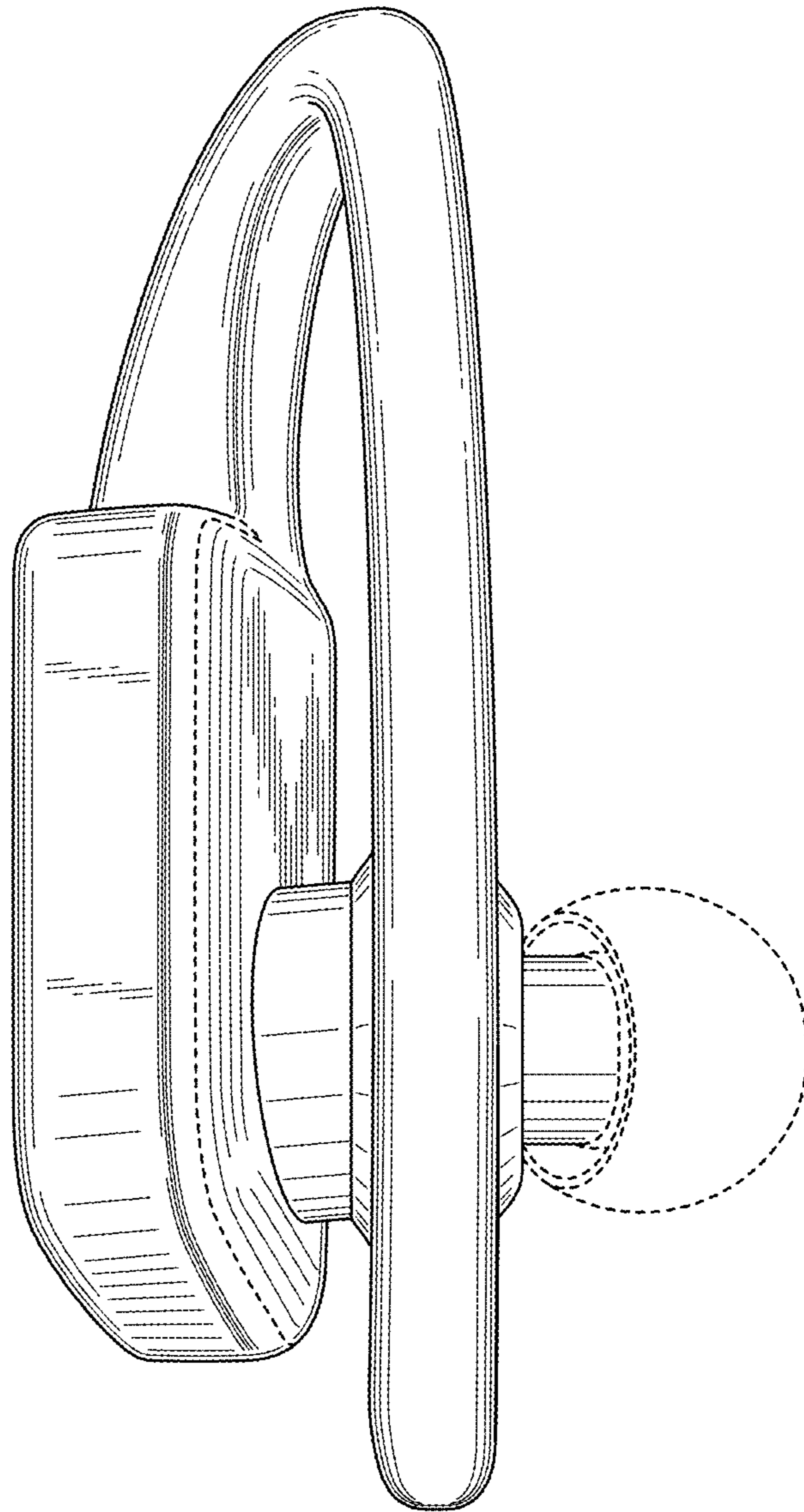
FIG. 4



*FIG. 5*



*FIG. 6*





*FIG. 7*

