



US00D834000S

(12) **United States Design Patent**  
**Paslawski**

(10) **Patent No.:** **US D834,000 S**

(45) **Date of Patent:** **\*\* Nov. 20, 2018**

(54) **CONNECTING WIRELESS MINI SPEAKER**

H04R 2499/11; H04R 2499/13; H04R 2499/15; H04S 3/00; H04S 7/30

(71) Applicant: **Positive Outcomes, Inc.**, Wildwood, MO (US)

See application file for complete search history.

(72) Inventor: **Ray N. Paslawski**, Wildwood, MO (US)

(56) **References Cited**

(73) Assignee: **Positive Outcomes, Inc.**, Wildwood, MO (US)

U.S. PATENT DOCUMENTS

(\*\*) Term: **15 Years**

D711,351 S *	8/2014	Breines .....	D14/215
D756,326 S *	5/2016	Holzer .....	D14/171
D790,500 S *	6/2017	Morisawa .....	D14/204
D801,307 S *	10/2017	Kim .....	D14/216
D802,561 S *	11/2017	Manginello .....	D14/216

(21) Appl. No.: **29/568,314**

\* cited by examiner

(22) Filed: **Jun. 16, 2016**

*Primary Examiner* — Keli L Hill

(51) **LOC (11) Cl.** ..... **14-03**

(74) *Attorney, Agent, or Firm* — Sandberg Phoenix & von Gontard P.C.

(52) **U.S. Cl.**

USPC ..... **D14/216**

(58) **Field of Classification Search**

(57) **CLAIM**

USPC ..... D14/167, 168, 170–172, 188, 194–196, D14/204, 207, 209.1, 210–216, 219, 221, D14/222, 224, 239, 496; 181/143, 144, 181/147, 148, 150, 153, 157, 198, 199; 381/300–303, 306, 332, 333, 336, 345, 381/361–364, 386–388; 369/6–12

CPC ..... B60R 11/0217; G06F 1/1688; G10K 9/22; G10K 11/004; H03F 1/327; H04M 1/03; H04M 1/035; H04N 5/642; H04N 21/4852; H04R 1/02; H04R 1/06; H04R 1/021; H04R 1/025; H04R 1/028; H04R 1/105; H04R 1/323; H04R 1/403; H04R 1/2803; H04R 1/2834; H04R 5/02; H04R 7/20; H04R 9/06; H04R 9/025; H04R 2201/021; H04R 2400/00; H04R 2400/07;

The ornamental design for the connecting wireless mini speaker, as shown and described.

**DESCRIPTION**

FIG. 1 is a top, front and right side perspective view of a connecting wireless mini speaker, embodying my new design;

FIG. 2 is a front elevation view thereof;

FIG. 3 is a rear elevation view thereof;

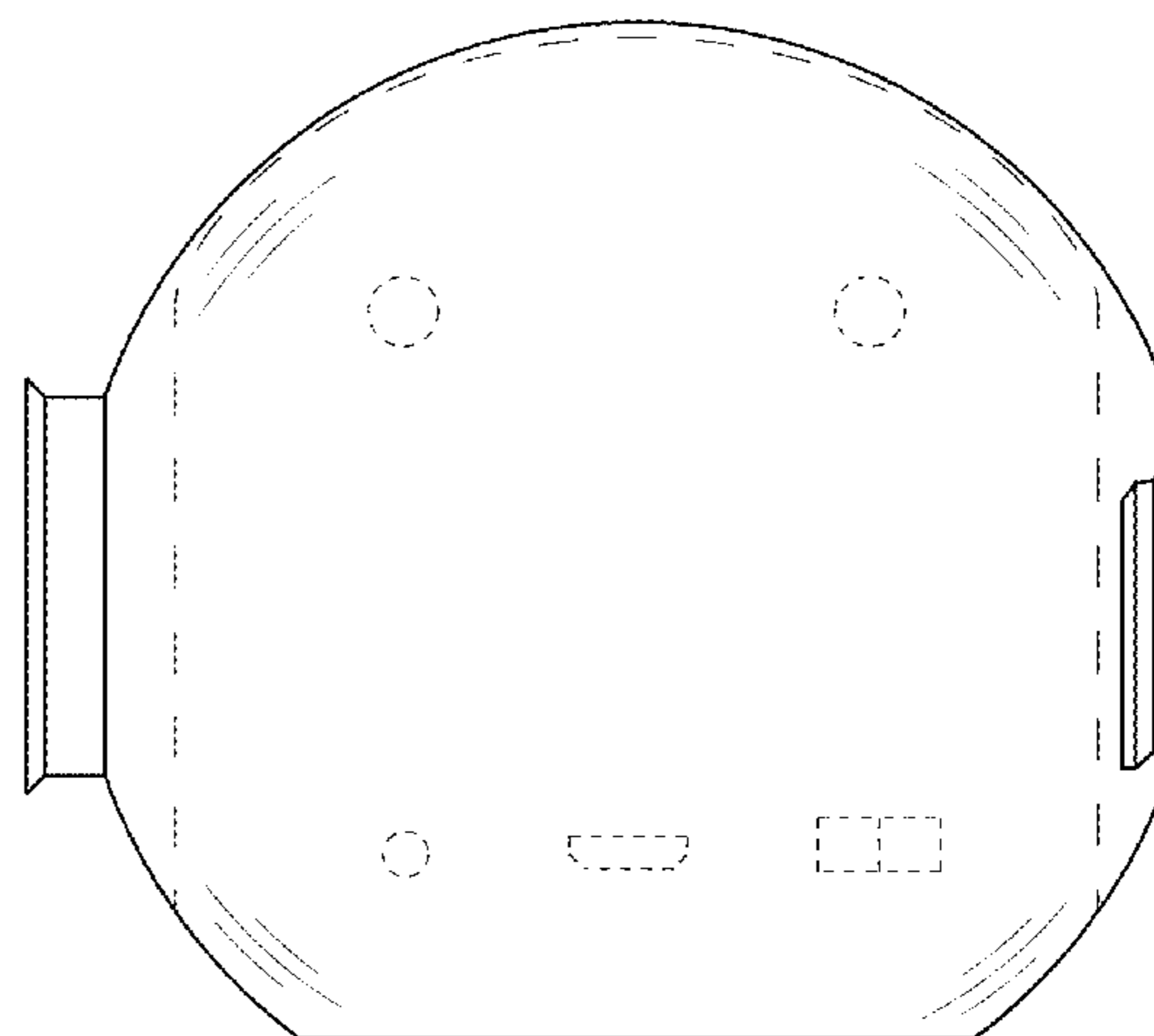
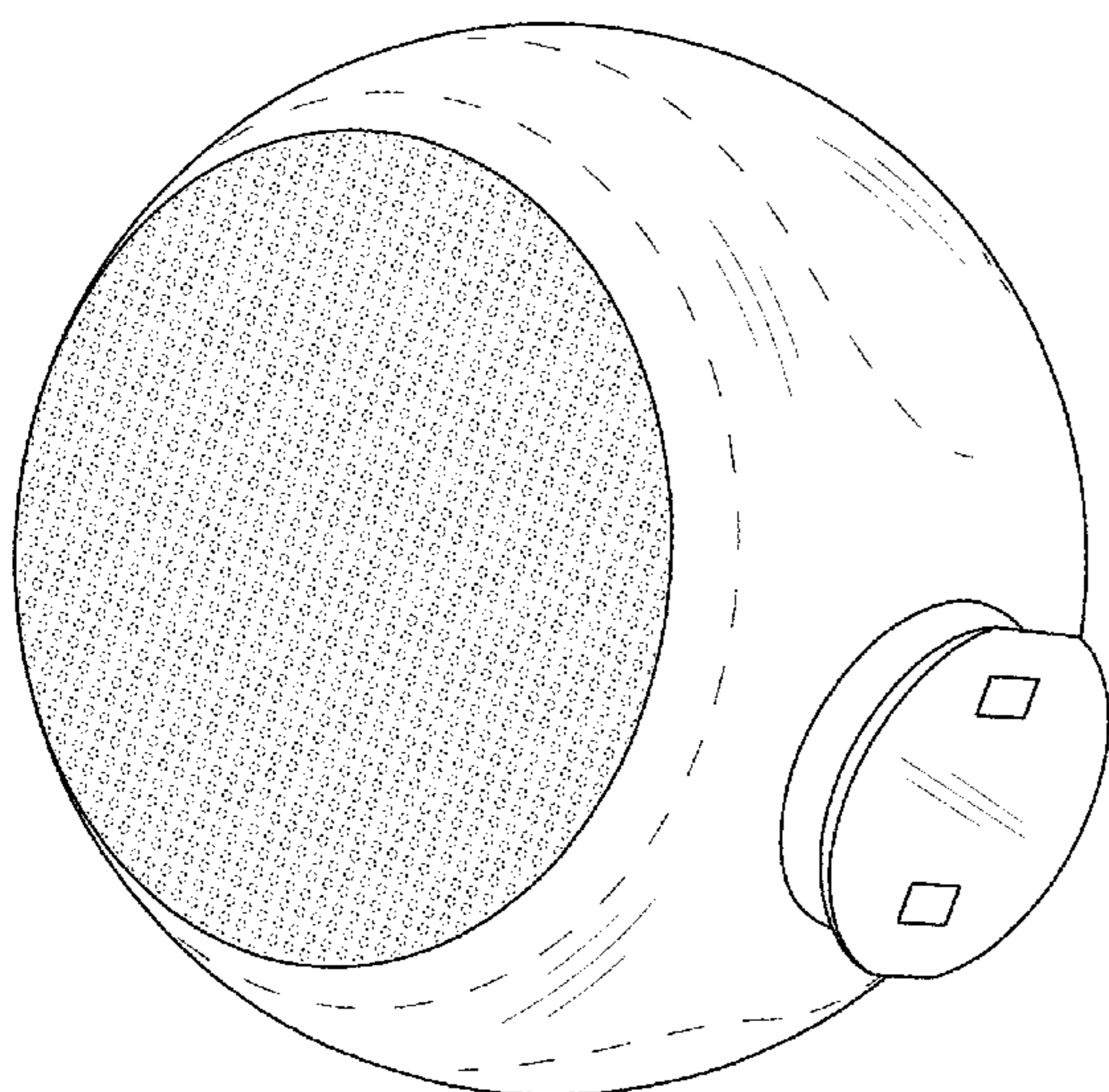
FIG. 4 is a top plan view thereof;

FIG. 5 is a bottom plan view thereof;

FIG. 6 is a right side elevation view thereof; and,

FIG. 7 is a left side elevation view thereof.

**1 Claim, 7 Drawing Sheets**



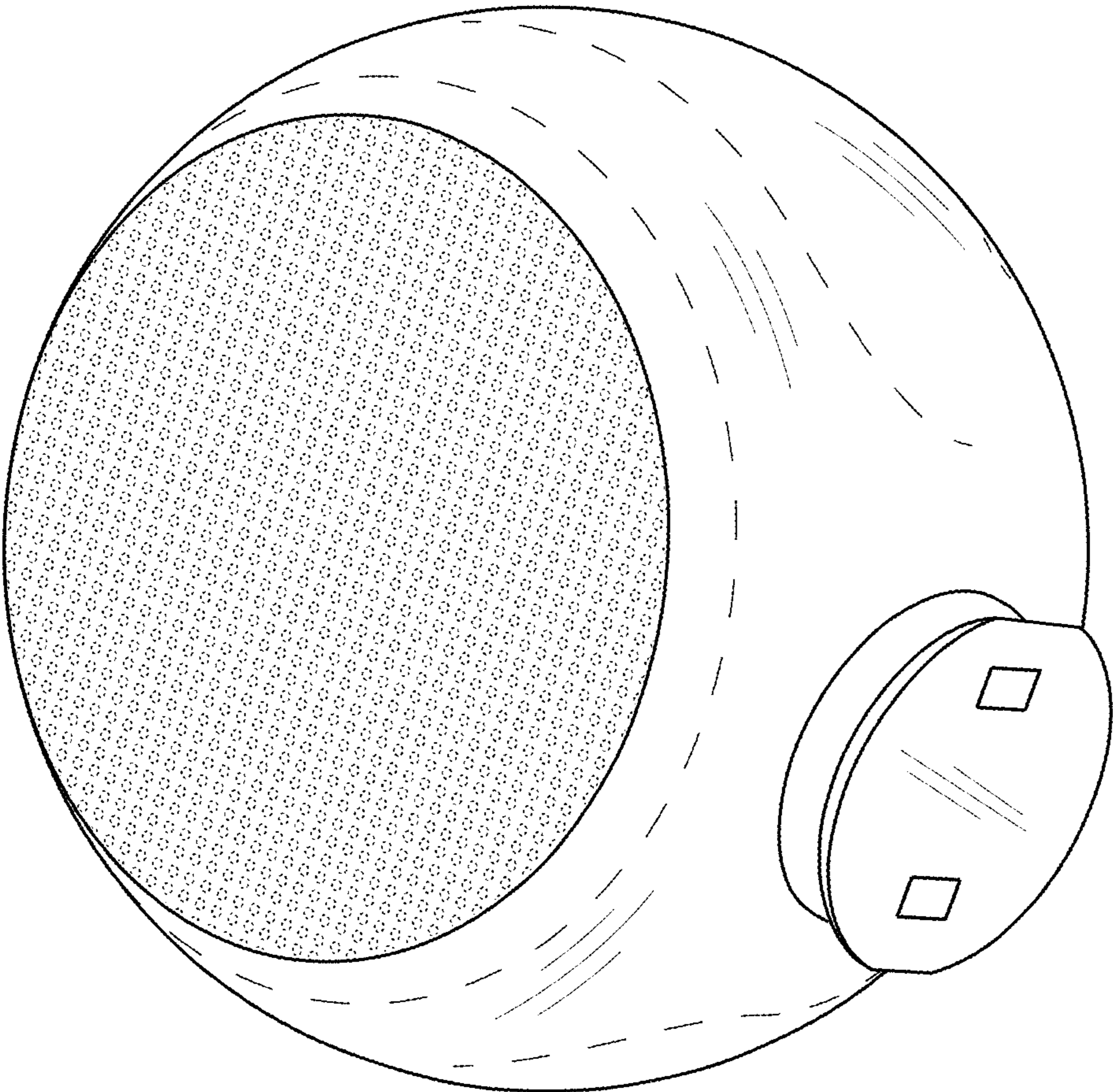


Fig 1

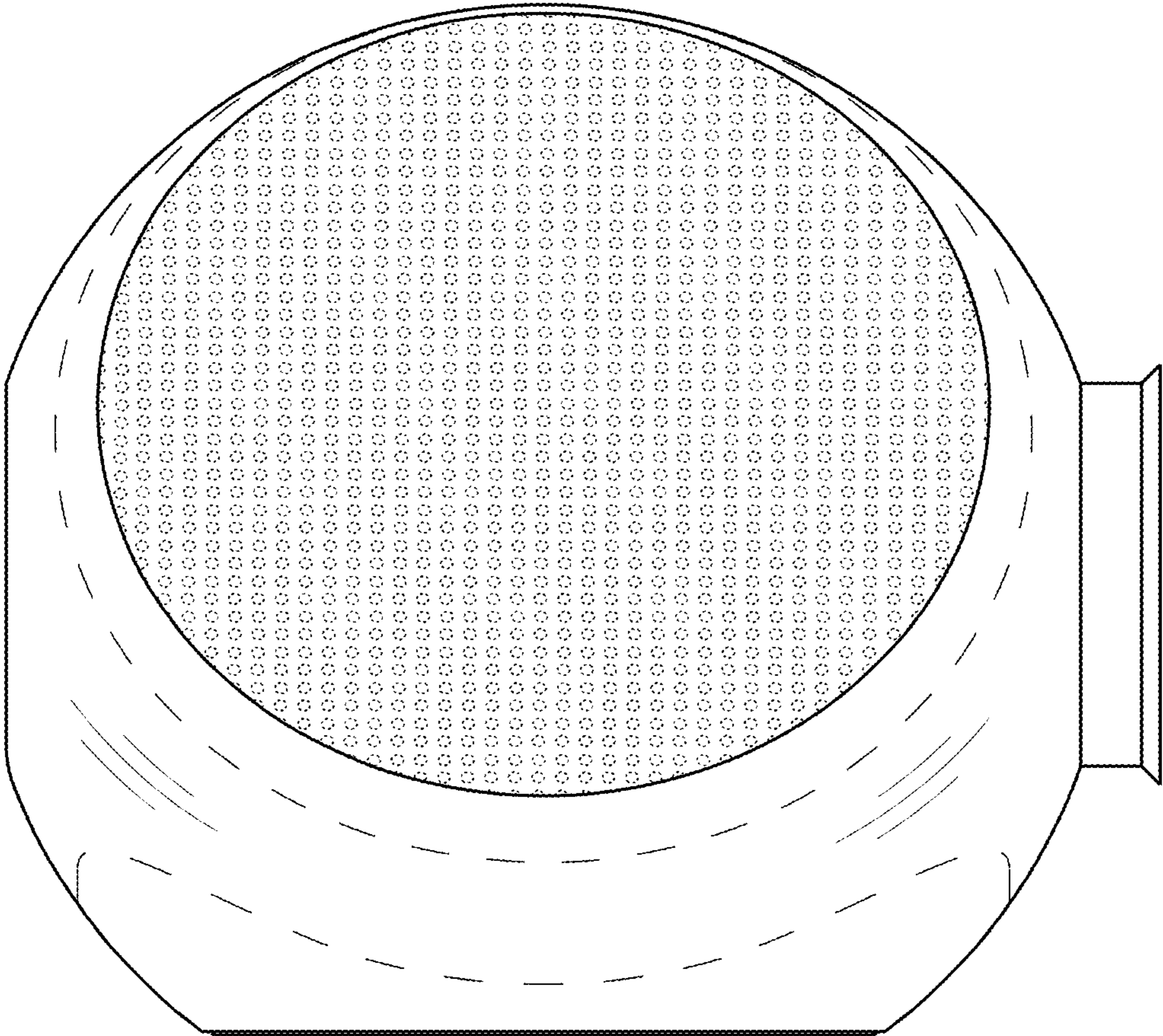


Fig 2

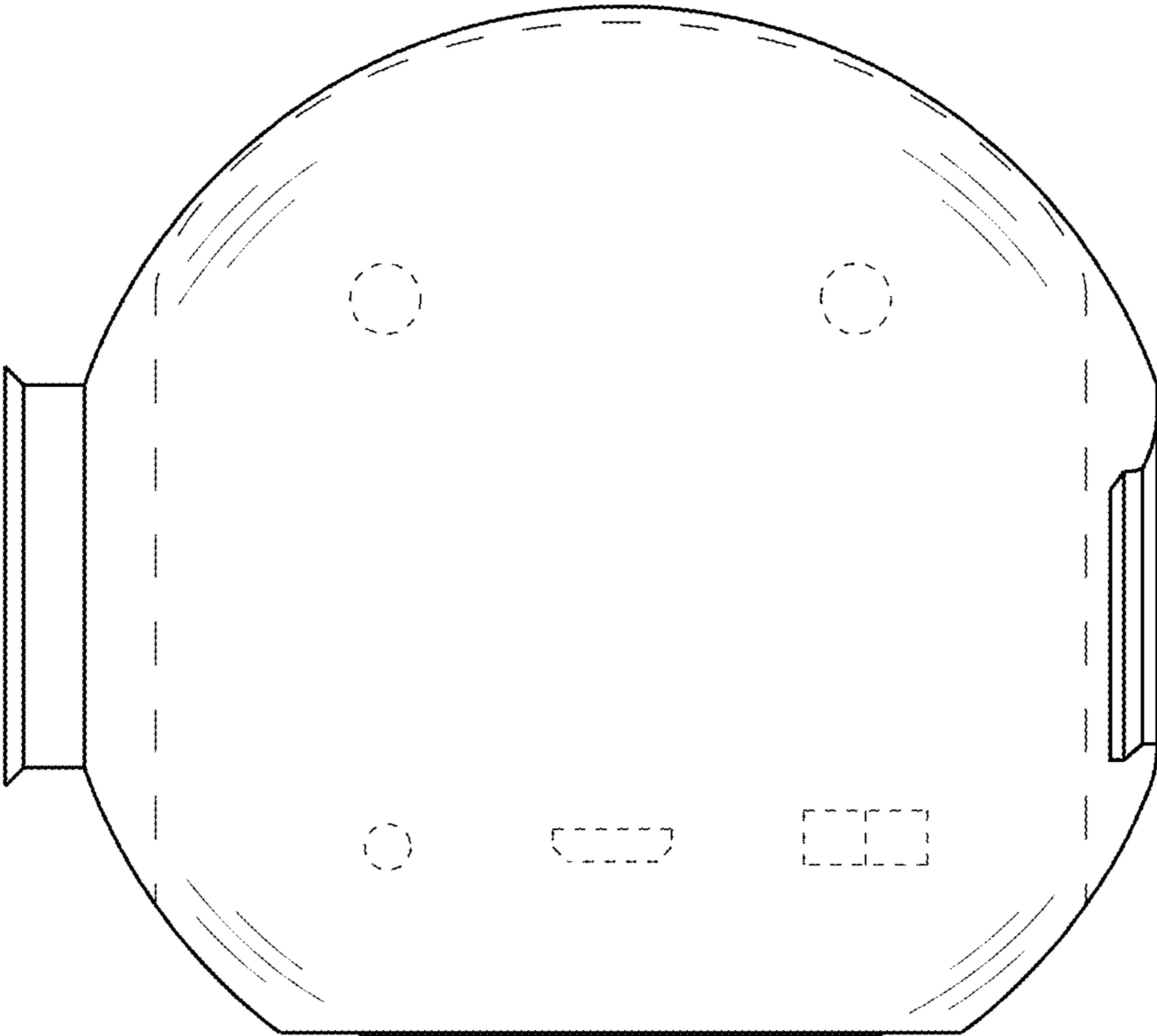


Fig 3

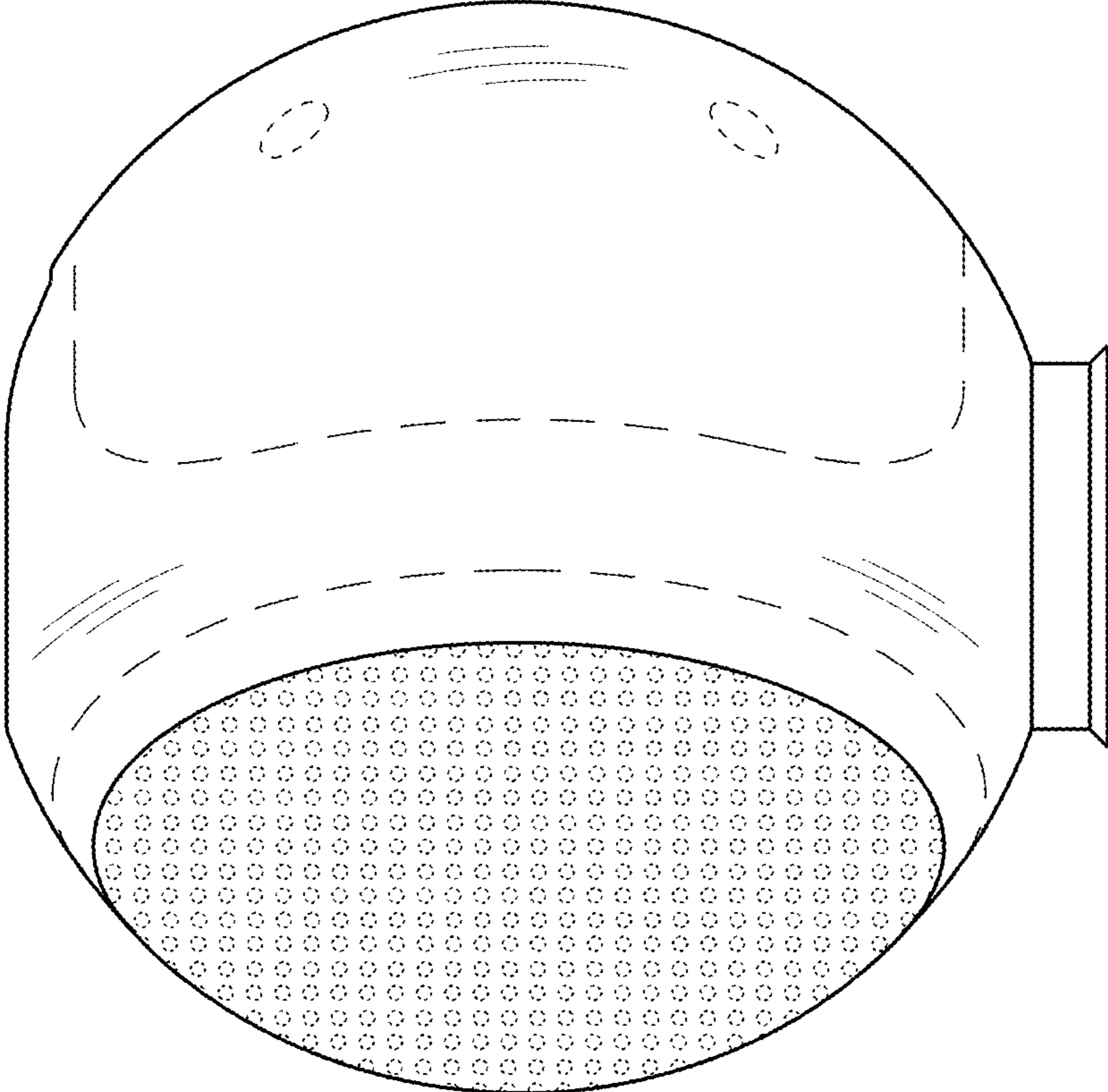


Fig 4

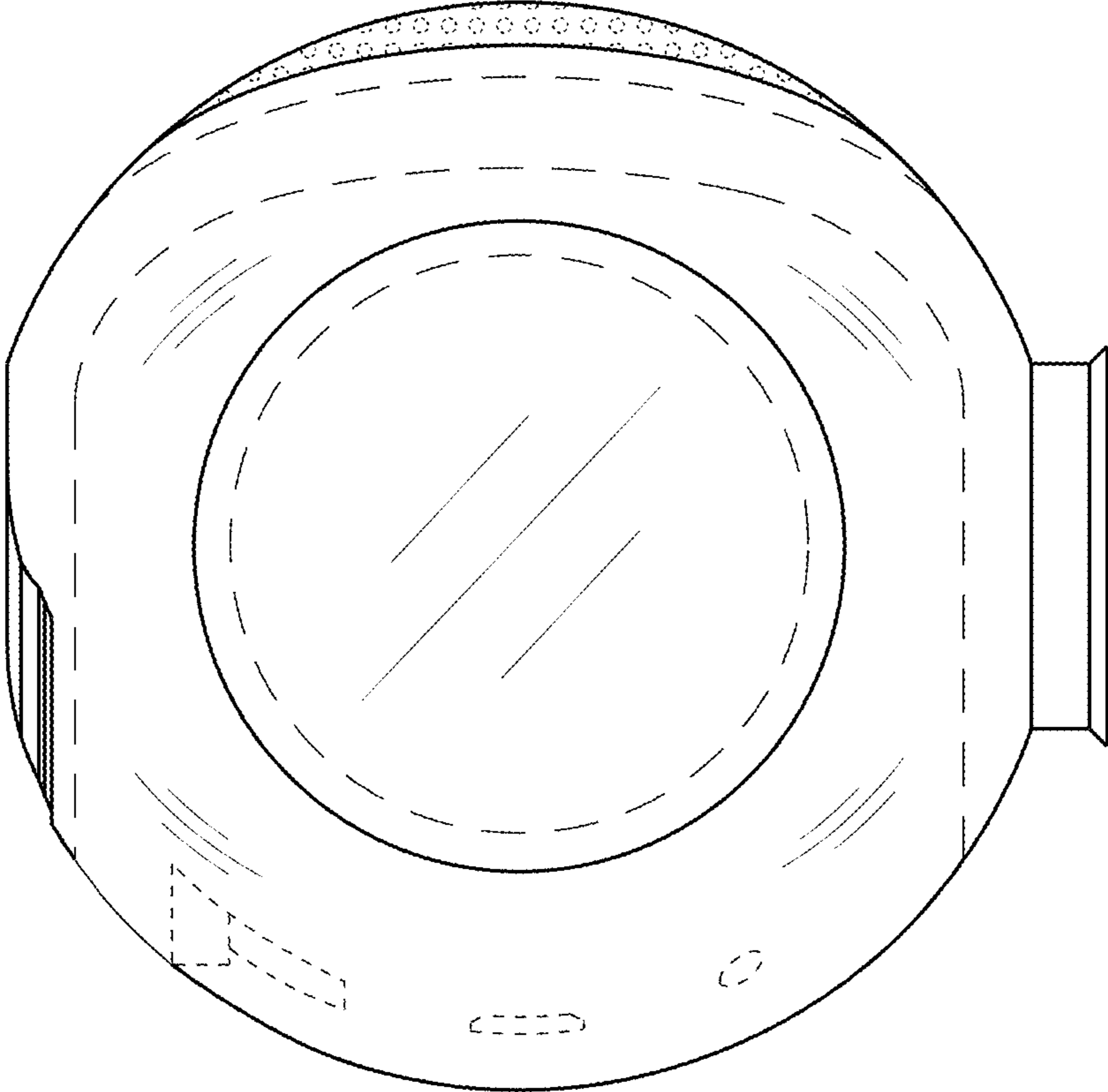


Fig 5

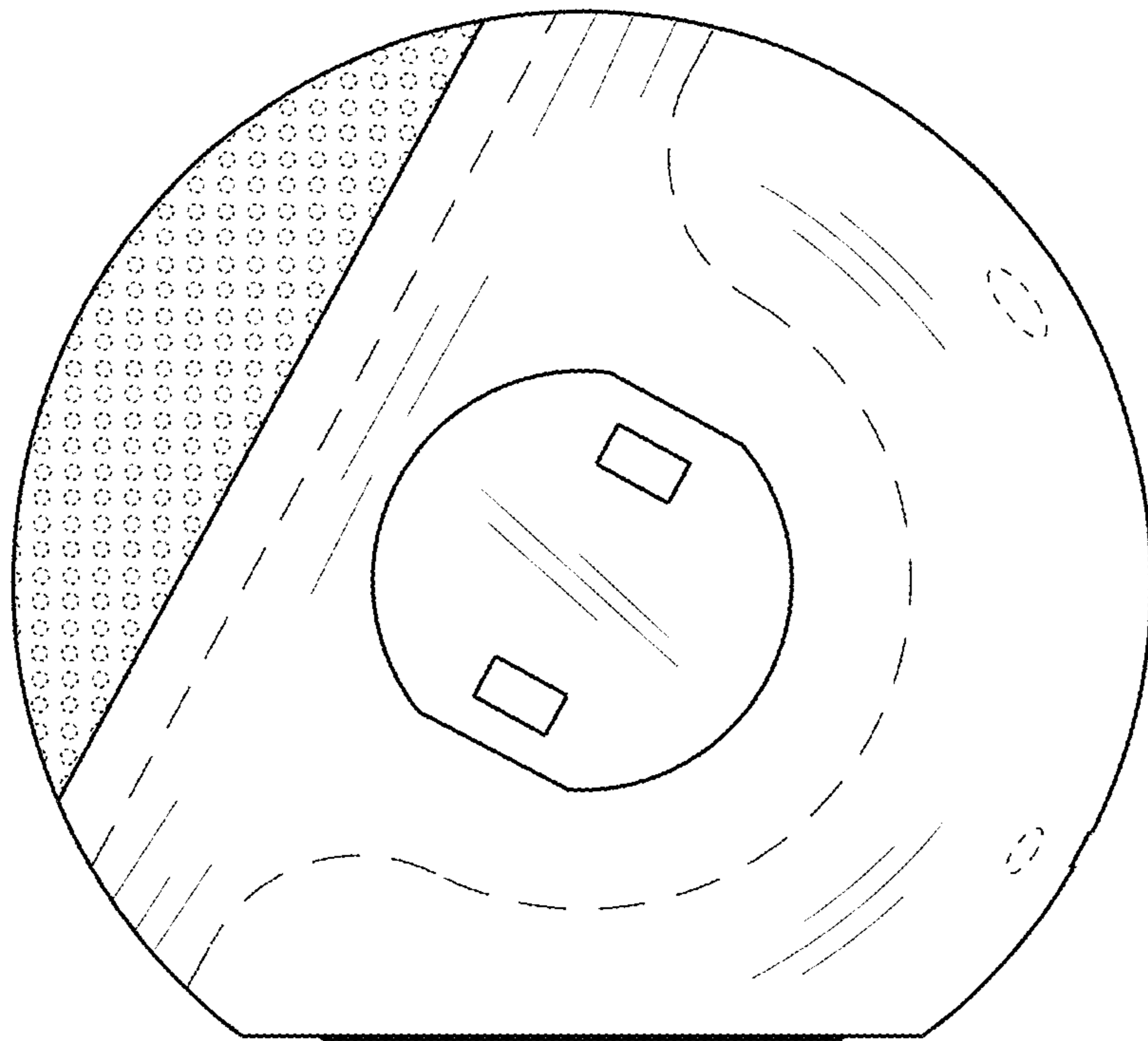


Fig 6

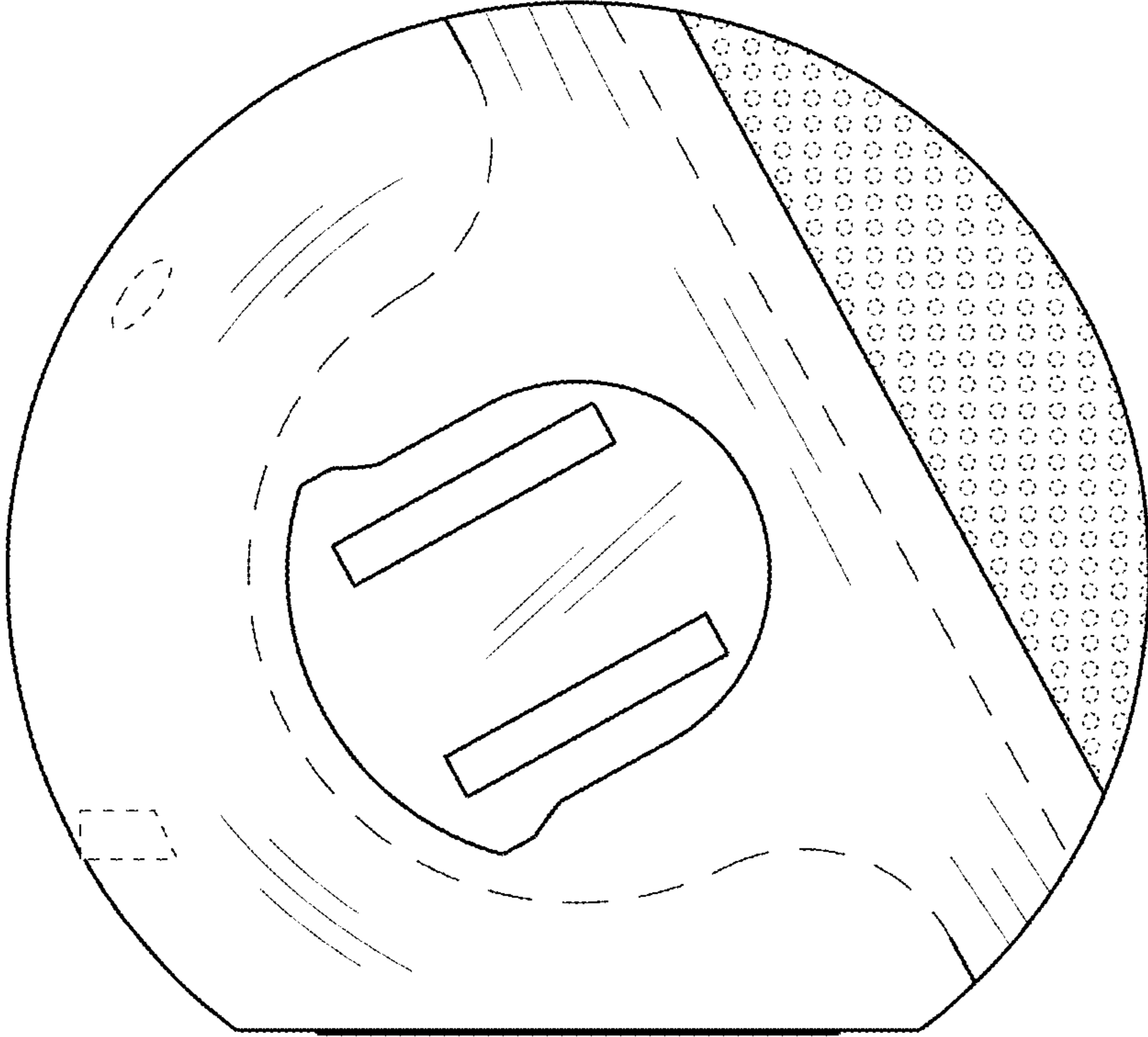


Fig 7