



US00D833999S

(12) **United States Design Patent**
Paslawski

(10) **Patent No.:** **US D833,999 S**

(45) **Date of Patent:** **** Nov. 20, 2018**

(54) **CONNECTING WIRELESS MINI TOWER SPEAKER**

2400/00; H04R 2400/07; H04R 2499/11;
H04R 2499/13; H04R 2499/15; H04S
3/00; H04S 7/30

(71) Applicant: **Positive Outcomes, Inc.**, Wildwood,
MO (US)

See application file for complete search history.

(72) Inventor: **Ray N. Paslawski**, Wildwood, MO
(US)

(56) **References Cited**

(73) Assignee: **Positive Outcomes, Inc.**, Wildwood,
MO (US)

U.S. PATENT DOCUMENTS

(**) Term: **15 Years**

D571,786 S *	6/2008	Cho	D14/215
D691,115 S *	10/2013	Silvera	D14/212
D753,094 S *	4/2016	Holzer	D14/214
D758,336 S *	6/2016	Kelly	D14/204
D800,695 S *	10/2017	Sugiura	D14/214

(21) Appl. No.: **29/568,312**

* cited by examiner

(22) Filed: **Jun. 16, 2016**

Primary Examiner — Keli L Hill

(51) **LOC (11) Cl.** **14-03**

(74) *Attorney, Agent, or Firm* — Sandberg Phoenix &
Von Gontard P.C.

(52) **U.S. Cl.**

USPC **D14/215**; D14/204

(57) **CLAIM**

(58) **Field of Classification Search**

The ornamental design for the connecting wireless mini tower speaker, as shown and described.

USPC D14/167, 168, 170–172, 188, 194–196,
D14/204, 207, 209.1, 210–216, 219, 221,
D14/222, 224, 239, 496; 181/143, 144,
181/147, 148, 150, 153, 157, 198, 199;
381/300–303, 306, 332, 333, 336, 345,
381/361–364, 386–388; 369/6–12

CPC B60R 11/0217; G06F 1/1688; G10K 9/22;
G10K 11/004; H03F 1/327; H04M 1/03;
H04M 1/035; H04N 5/642; H04N
21/4852; H04R 1/02; H04R 1/06; H04R
1/021; H04R 1/025; H04R 1/026; H04R
1/028; H04R 1/105; H04R 1/323; H04R
1/403; H04R 1/2803; H04R 1/2834;
H04R 5/02; H04R 7/20; H04R 9/06;
H04R 9/025; H04R 2201/021; H04R

DESCRIPTION

FIG. 1 is a top, front and right side perspective view of a connecting wireless mini tower speaker, embodying my new design;

FIG. 2 is a front elevation view thereof;

FIG. 3 is a rear elevation view thereof;

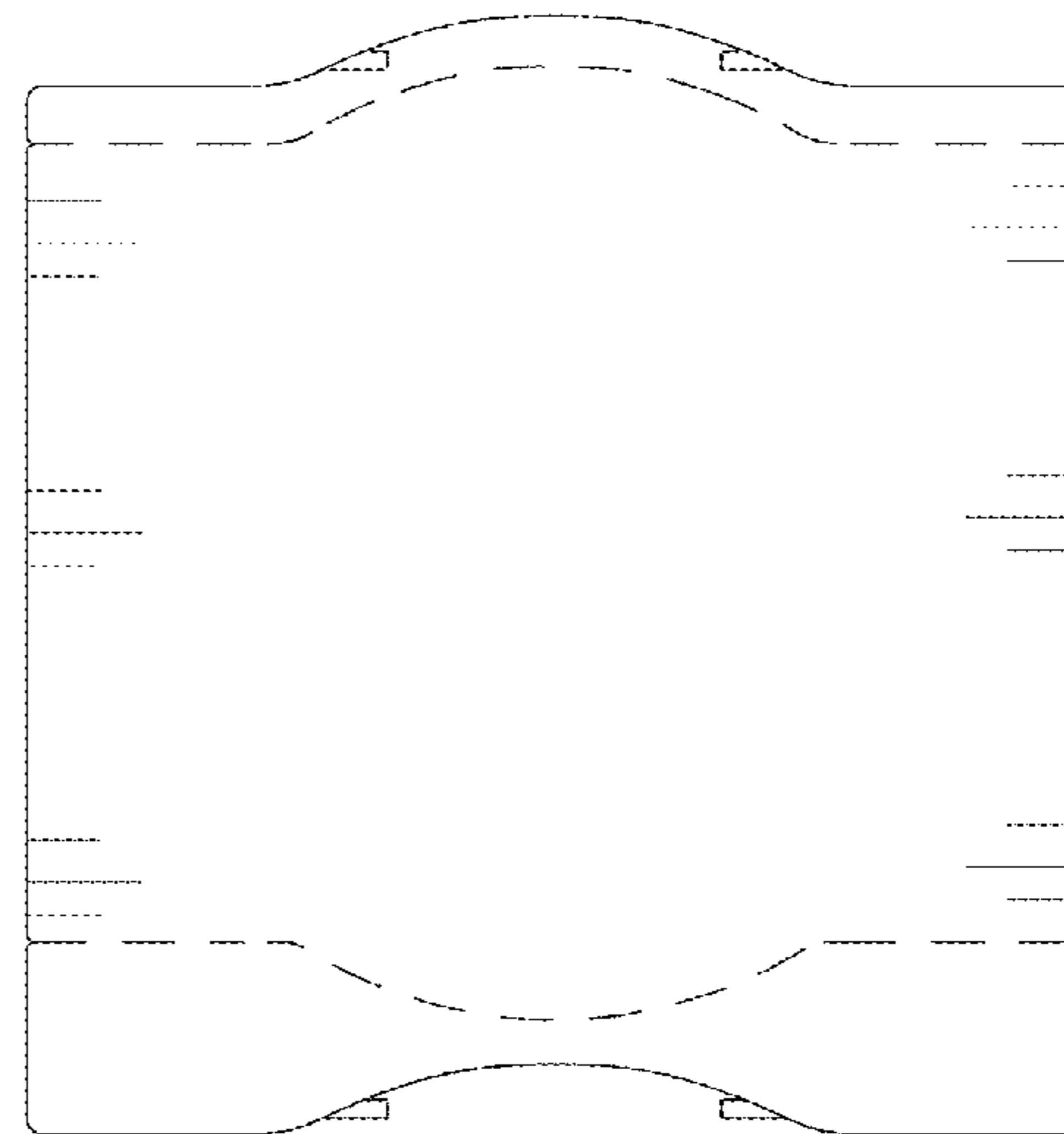
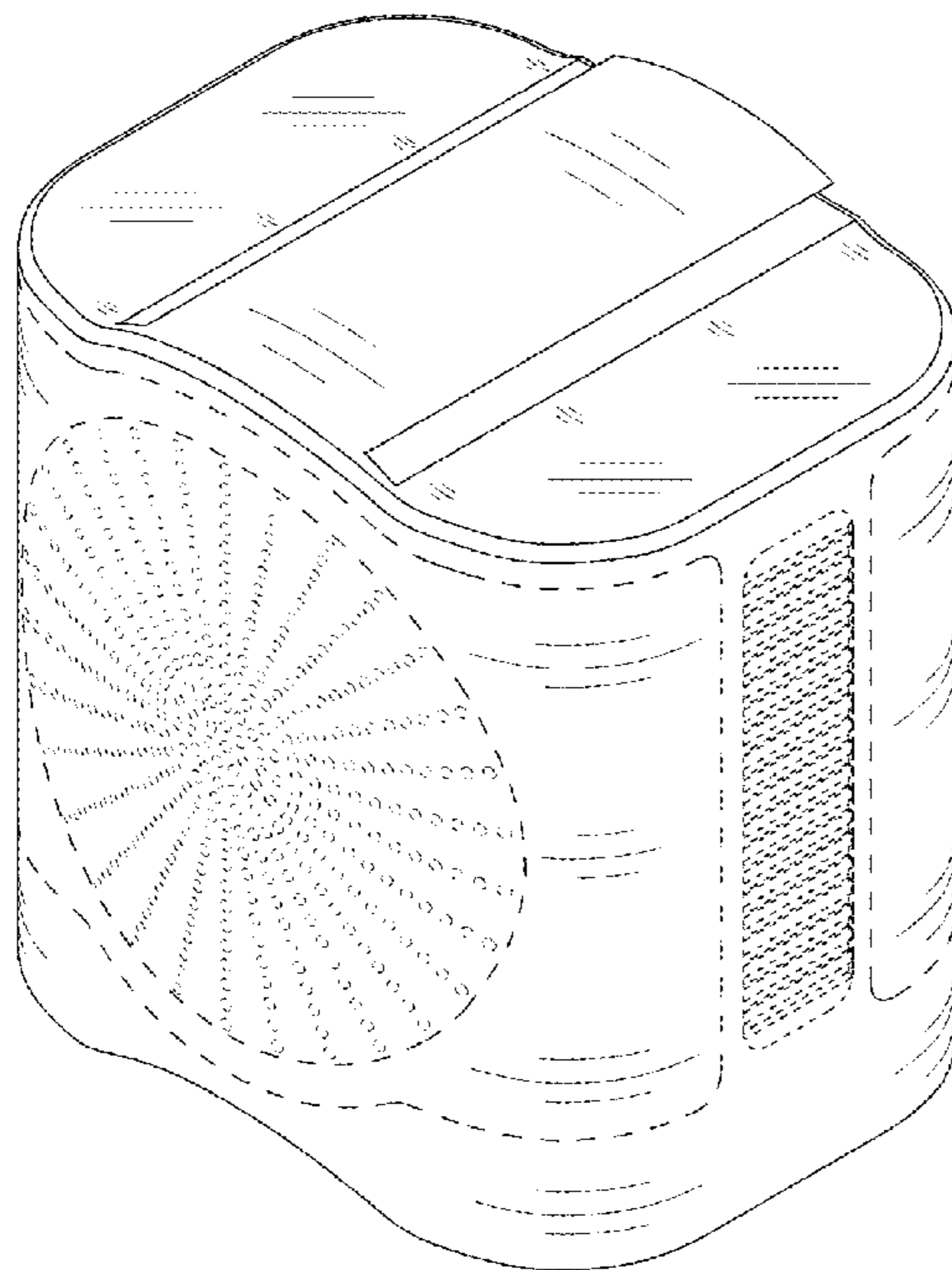
FIG. 4 is a top plan view thereof;

FIG. 5 is a bottom plan view thereof;

FIG. 6 is a right side elevation view thereof; and,

FIG. 7 is a left side elevation view thereof.

1 Claim, 7 Drawing Sheets



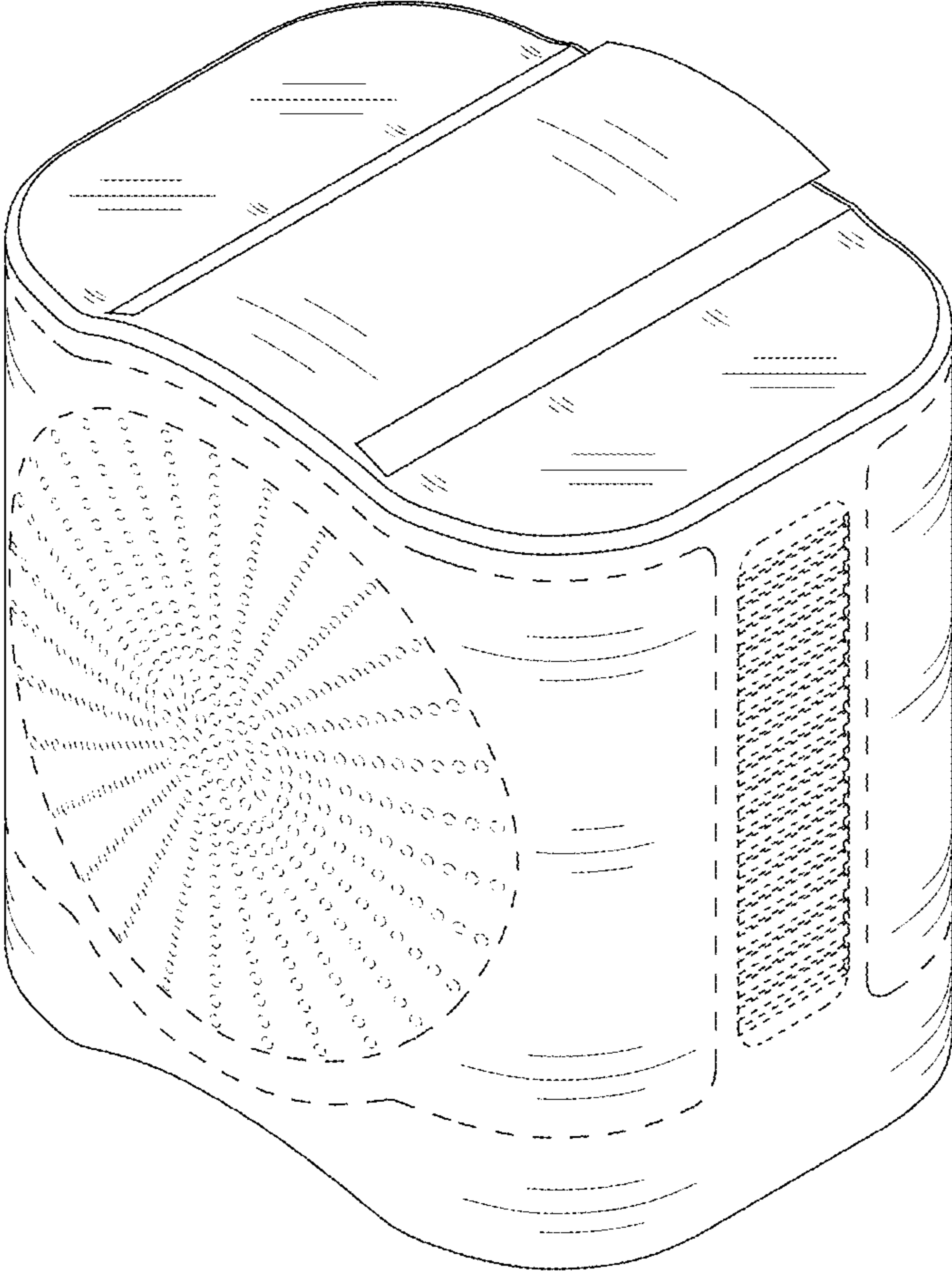


Fig. 1

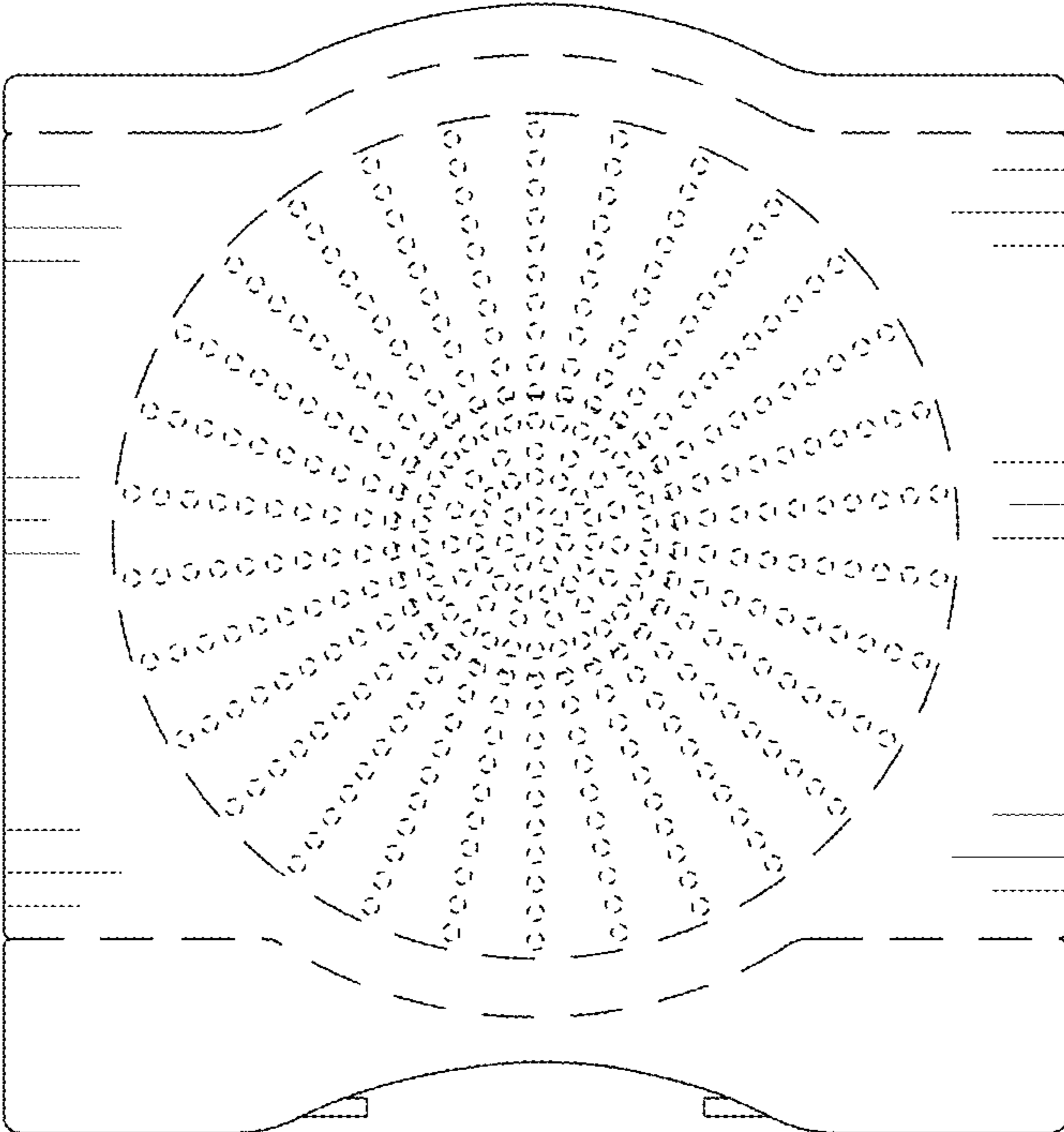


Fig. 2

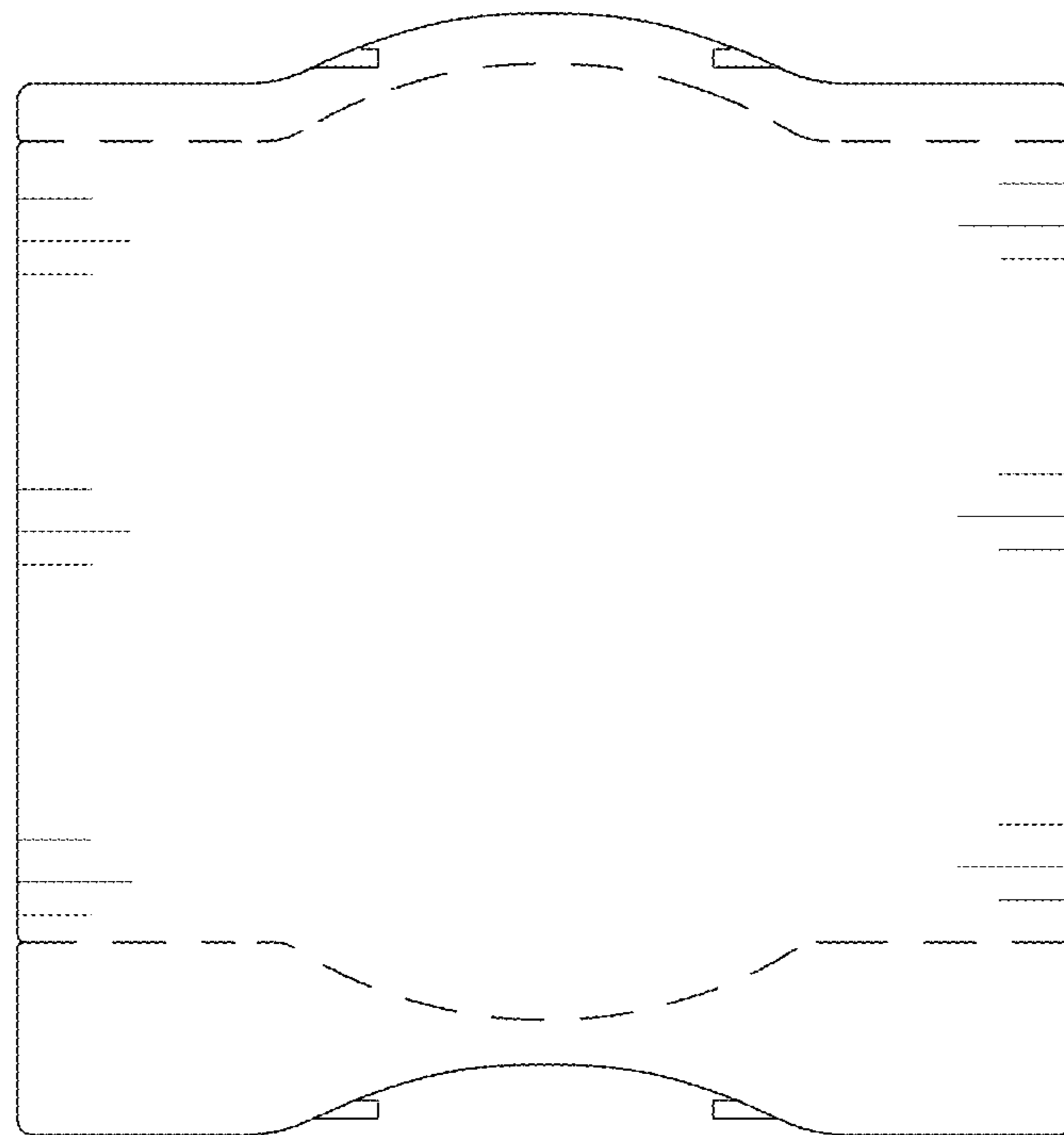


Fig. 3

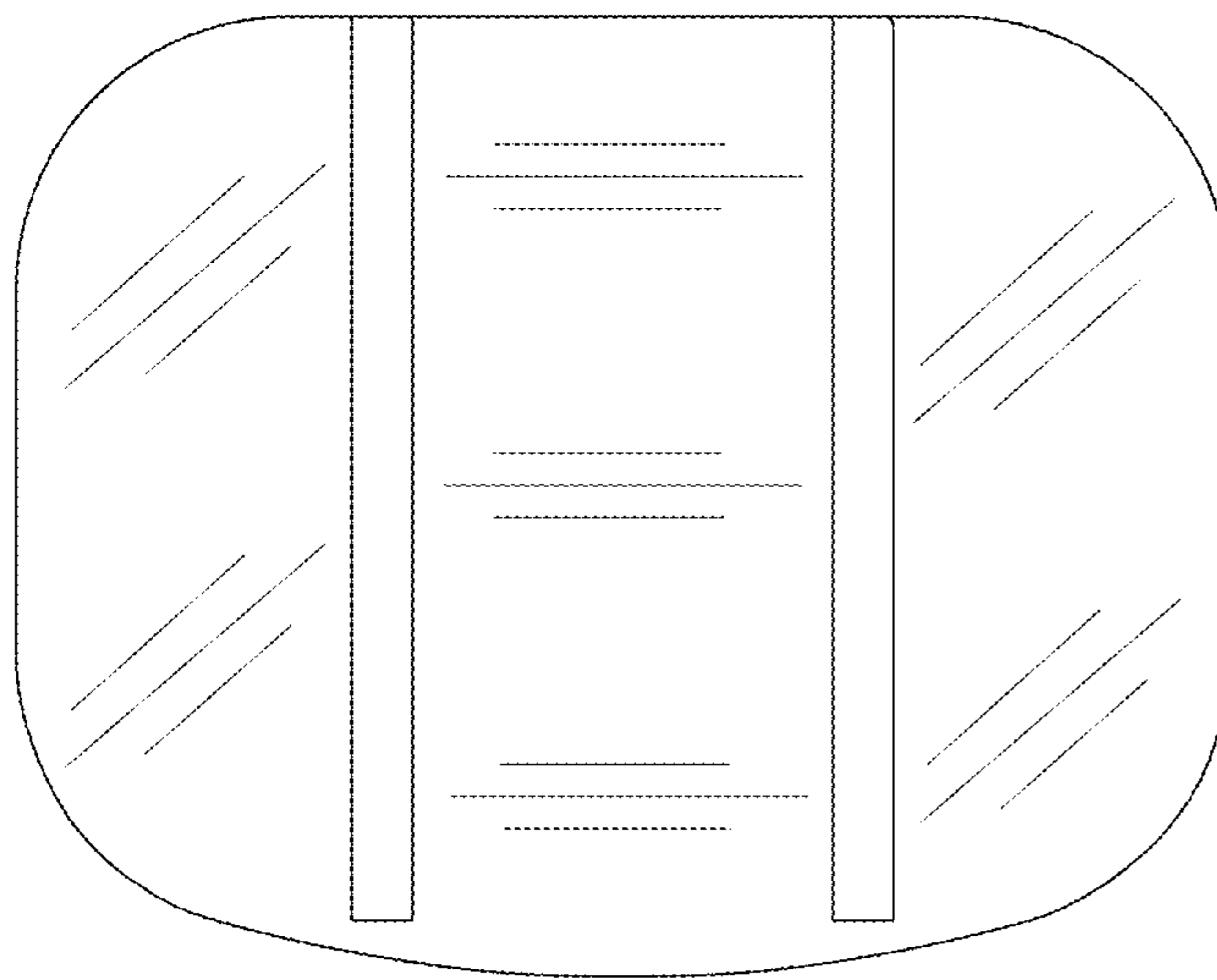


Fig. 4

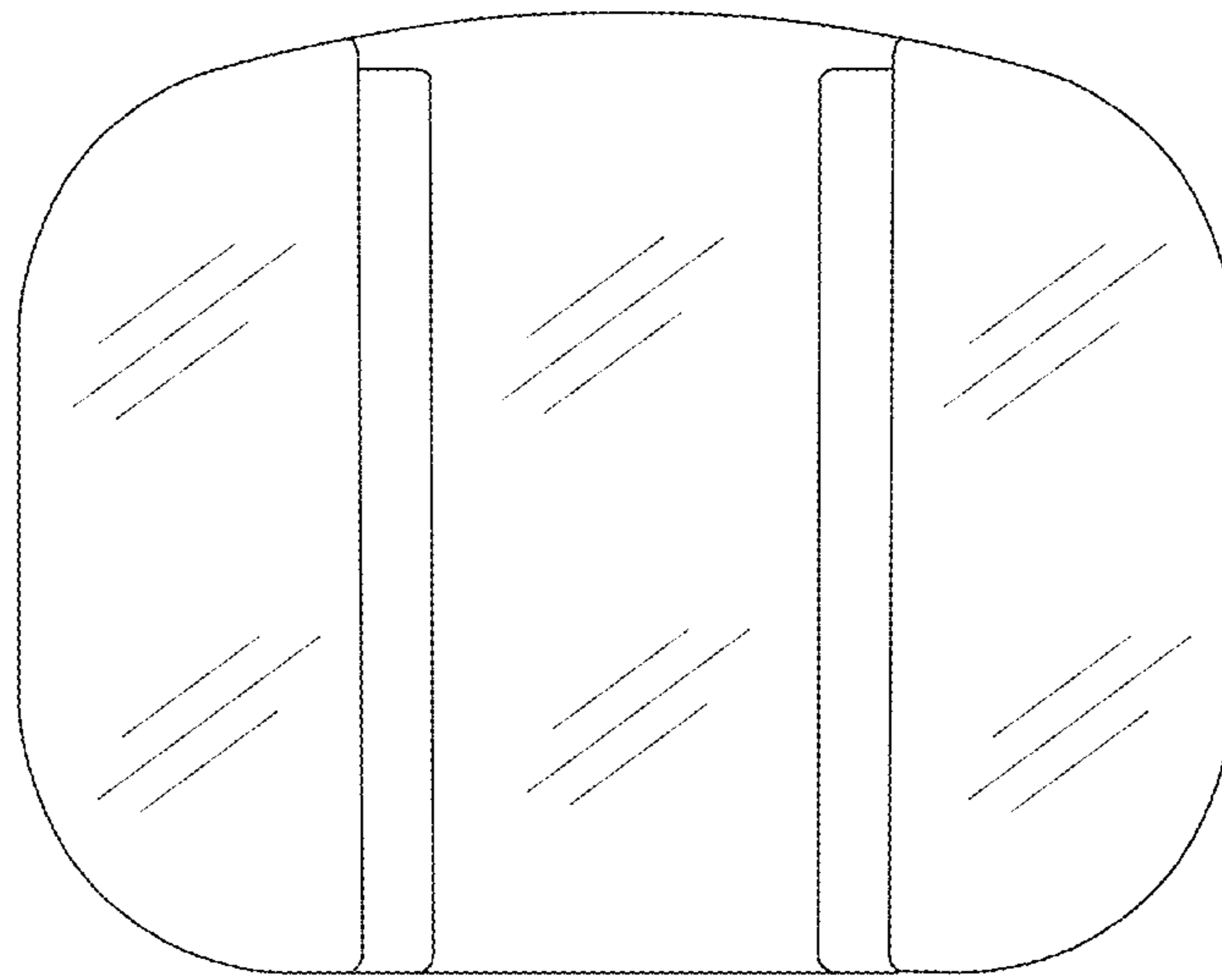


Fig. 5

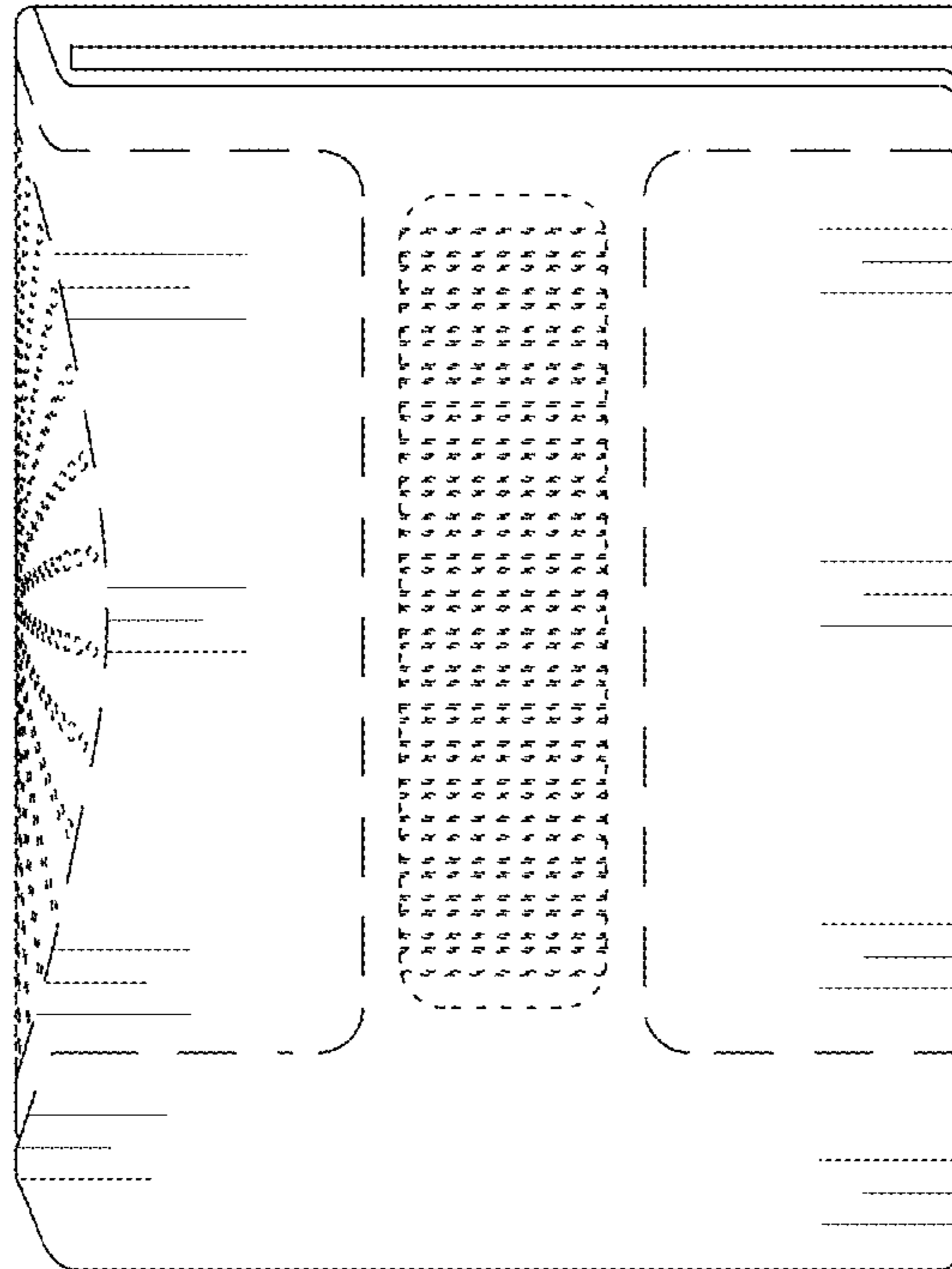


Fig. 6

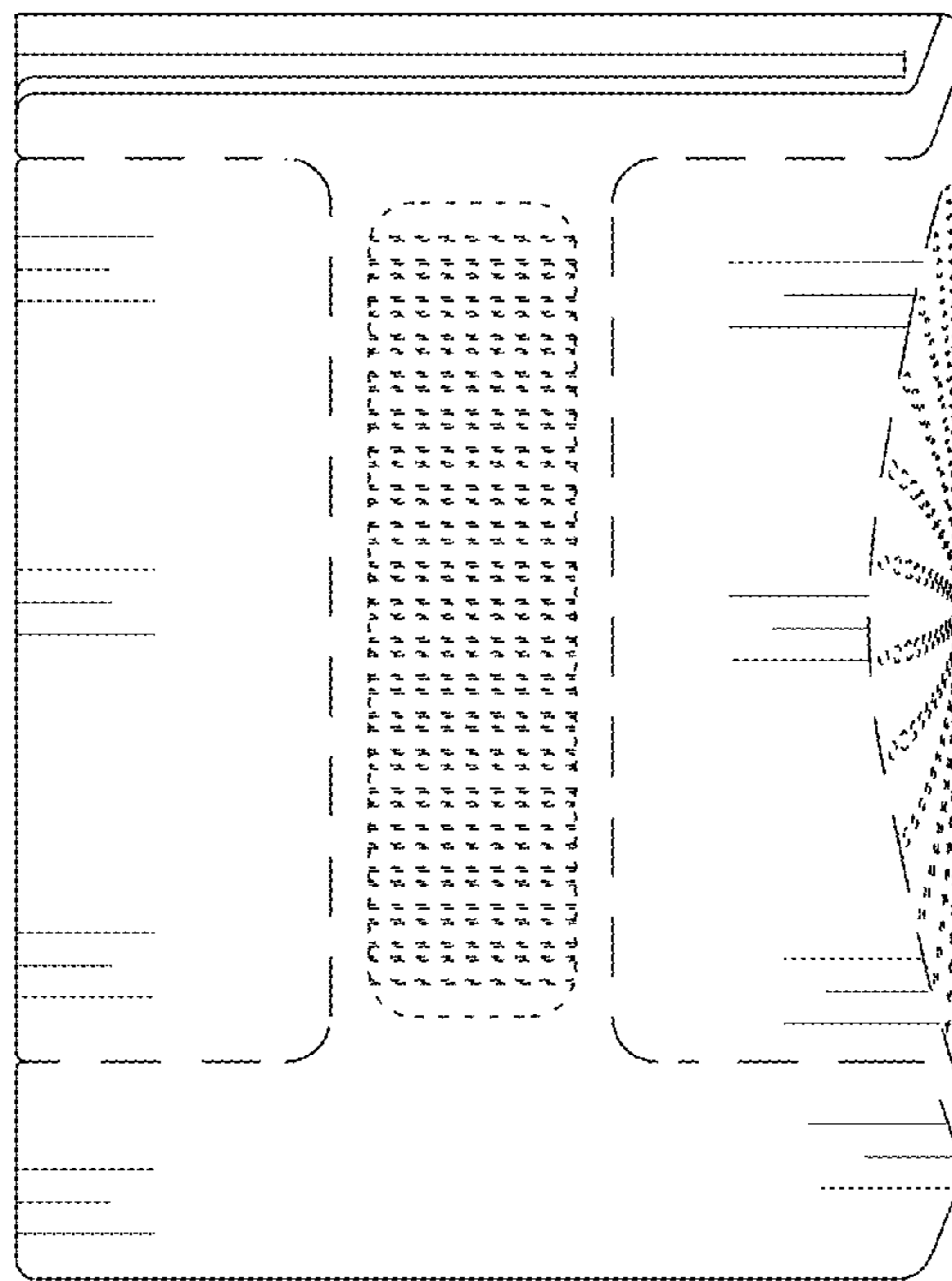


Fig. 7