



US00D833995S

(12) **United States Design Patent** (10) **Patent No.:** **US D833,995 S**  
**Jha et al.** (45) **Date of Patent:** **\*\* Nov. 20, 2018**

(54) **ELECTRONIC COMPONENT**

(71) Applicant: **Fun with Circuits LLC**, Austin, TX (US)

(72) Inventors: **Jyotsna Jha**, Cupertino, CA (US);  
**Rashmi Suman**, Austin, TX (US)

(73) Assignee: **FUN WITH CIRCUITS LLC**, Austin, TX (US)

(\*\*) Term: **15 Years**

(21) Appl. No.: **29/554,660**

(22) Filed: **Feb. 12, 2016**

(51) **LOC (11) Cl.** ..... **13-03**

(52) **U.S. Cl.**  
USPC ..... **D13/184**

(58) **Field of Classification Search**  
USPC ..... D13/110, 146, 147, 154, 184, 199

(Continued)

(56) **References Cited**

**U.S. PATENT DOCUMENTS**

D336,462 S \* 6/1993 Maes ..... D13/158  
5,644,107 A \* 7/1997 Kubota ..... H01G 2/065  
174/262

(Continued)

**OTHER PUBLICATIONS**

Netleon Technologies, 2016, (<http://funwithcircuits.com/product/fun-with-circuits/>), Fun With Circuits.\*

*Primary Examiner* — Lakiya G Rogers

*Assistant Examiner* — Harold E Blackwell, II

(74) *Attorney, Agent, or Firm* — Patent Law Works LLP

(57) **CLAIM**

The ornamental design for an electronic component, as shown and described.

**DESCRIPTION**

FIG. 1 is a top view of a first embodiment of the electronic component showing the new design.

FIG. 2 is a bottom view of the first embodiment of the electronic component showing the new design.

FIG. 3 is a left side view of the first embodiment of the electronic component thereof showing the new design (the right side view is not depicted because it is a mirror image of the left side view but has all aspects drawn in dashed lines).

FIG. 4 is a front side view or a rear side view of the first embodiment of the electronic component showing the new design.

FIG. 5 is a top perspective view of the first embodiment of the electronic component showing the new design.

FIG. 6 is a top perspective view of a second embodiment of the electronic component showing the new design.

FIG. 7 is a bottom perspective view of the second embodiment of the electronic component showing the new design.

FIG. 8 is a top perspective view of a third embodiment of the electronic showing the new design.

FIG. 9 is a top perspective view of a fourth embodiment of the electronic component showing the new design.

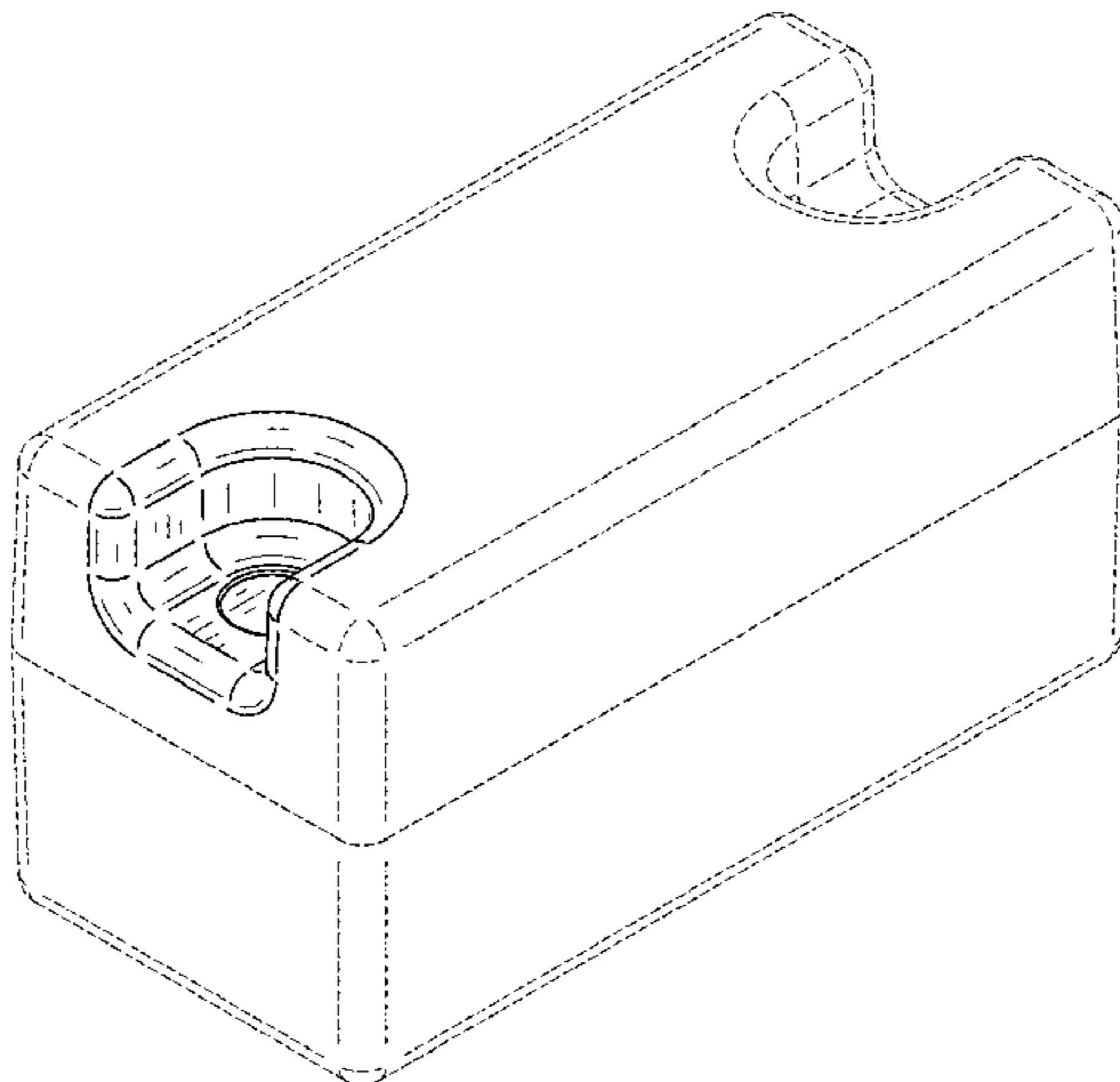
FIG. 10 is a top perspective view of a fifth embodiment of the electronic component showing the new design and illustrating a compatible wiring component in a detached position.

FIG. 11 is a top perspective view of the fifth embodiment of the electronic component showing the new design and illustrating the compatible wiring component in an attached position; and,

FIG. 12 is a bottom perspective view of the fifth embodiment of the electronic component showing the new design and illustrating the compatible wiring component in the detached position.

Within the drawings, the dashed lines show unclaimed portions of the electronic component housing or portion thereof and/or the wiring component and form no part of the claimed design.

**1 Claim, 8 Drawing Sheets**



(58) **Field of Classification Search**

CPC ..... H05K 1/16; H05K 5/0017; H05K 5/0082;  
H05K 5/02; H05K 5/06

See application file for complete search history.

(56) **References Cited**

U.S. PATENT DOCUMENTS

D572,281	S	*	7/2008	Wei	.....	D15/143
9,208,401	B2	*	12/2015	Westphal	.....	G06K 9/6201
D748,063	S	*	1/2016	Buck	.....	D13/154
D783,537	S	*	4/2017	Skov	.....	D13/147

\* cited by examiner



FIG. 1

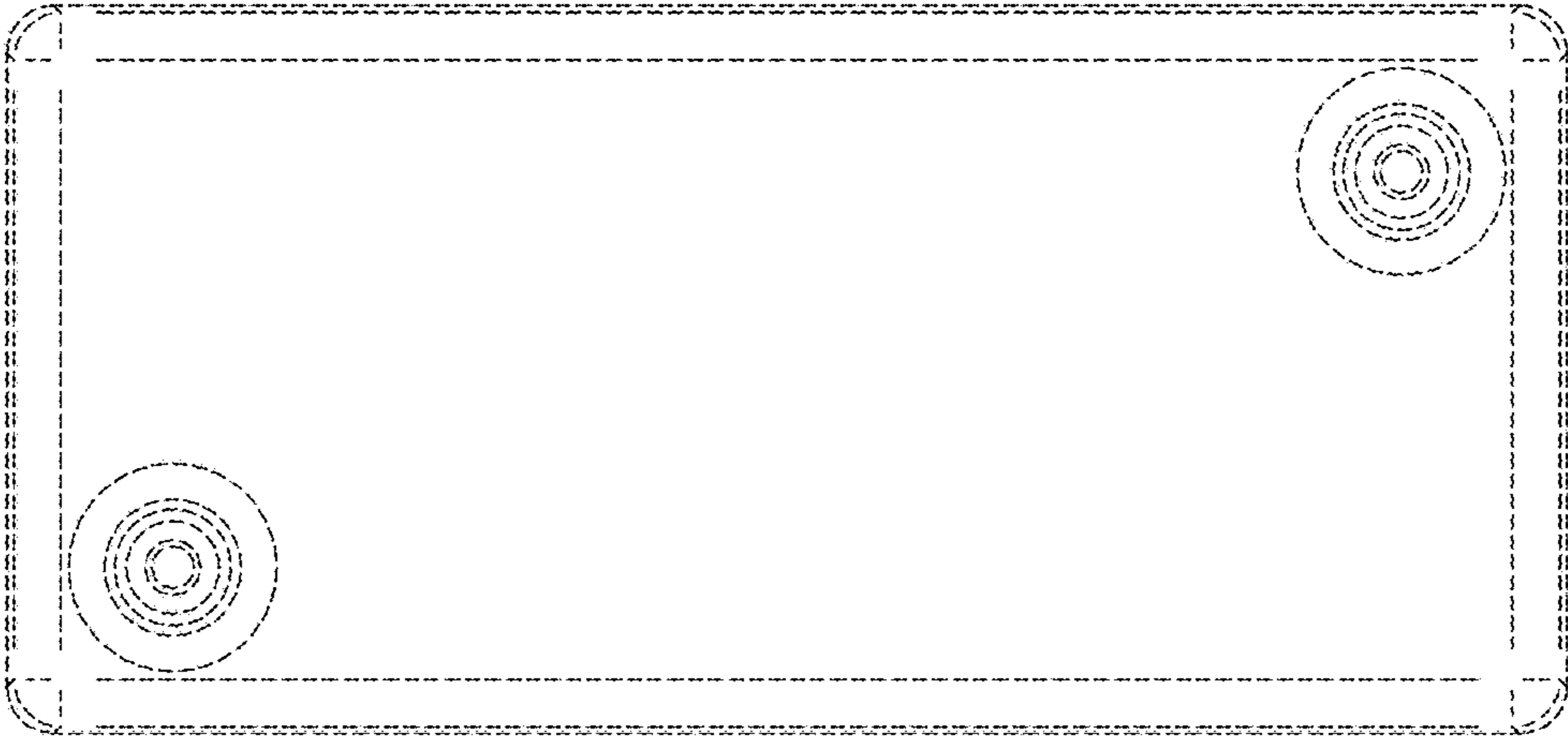


FIG. 2

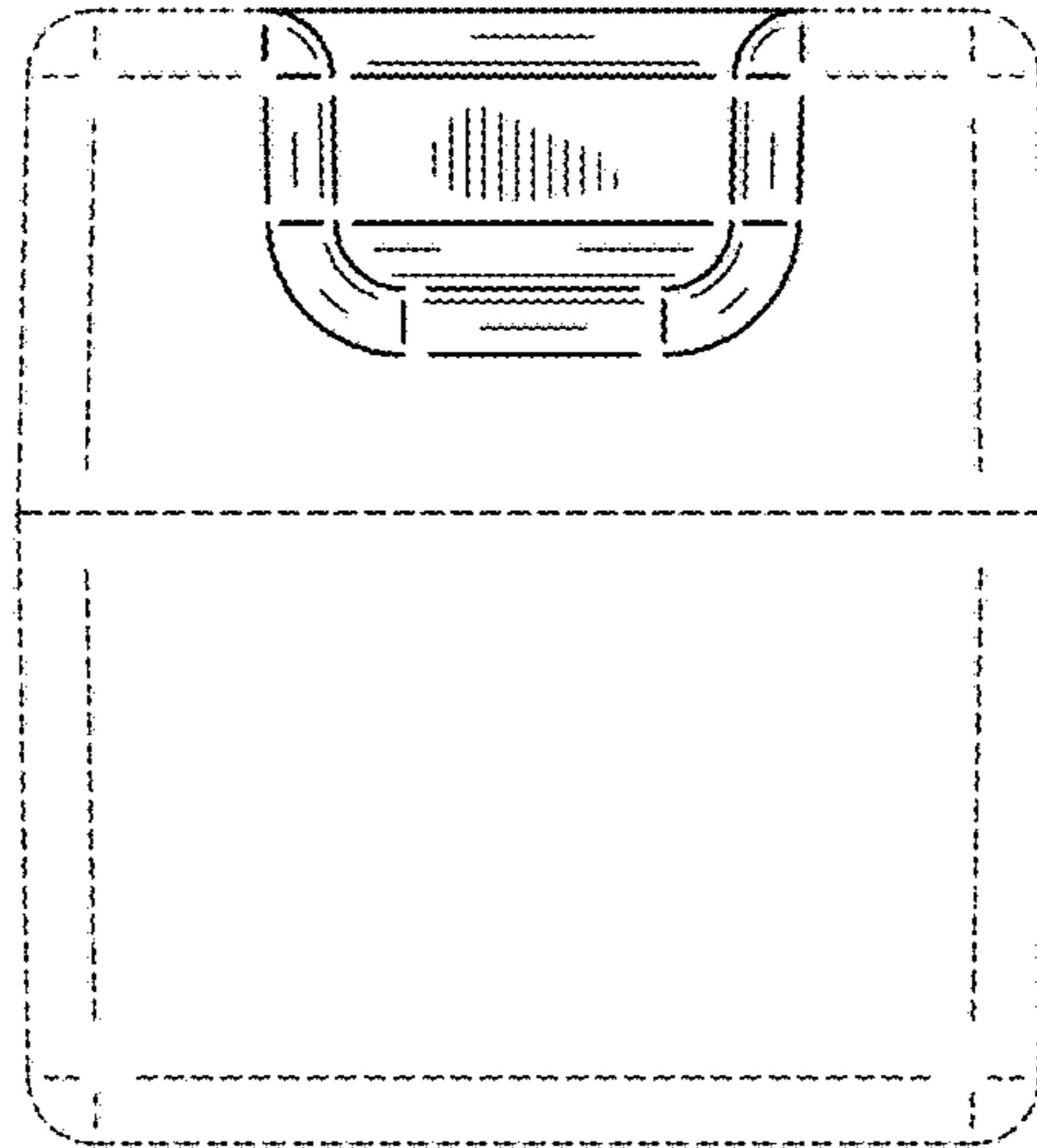


FIG. 3

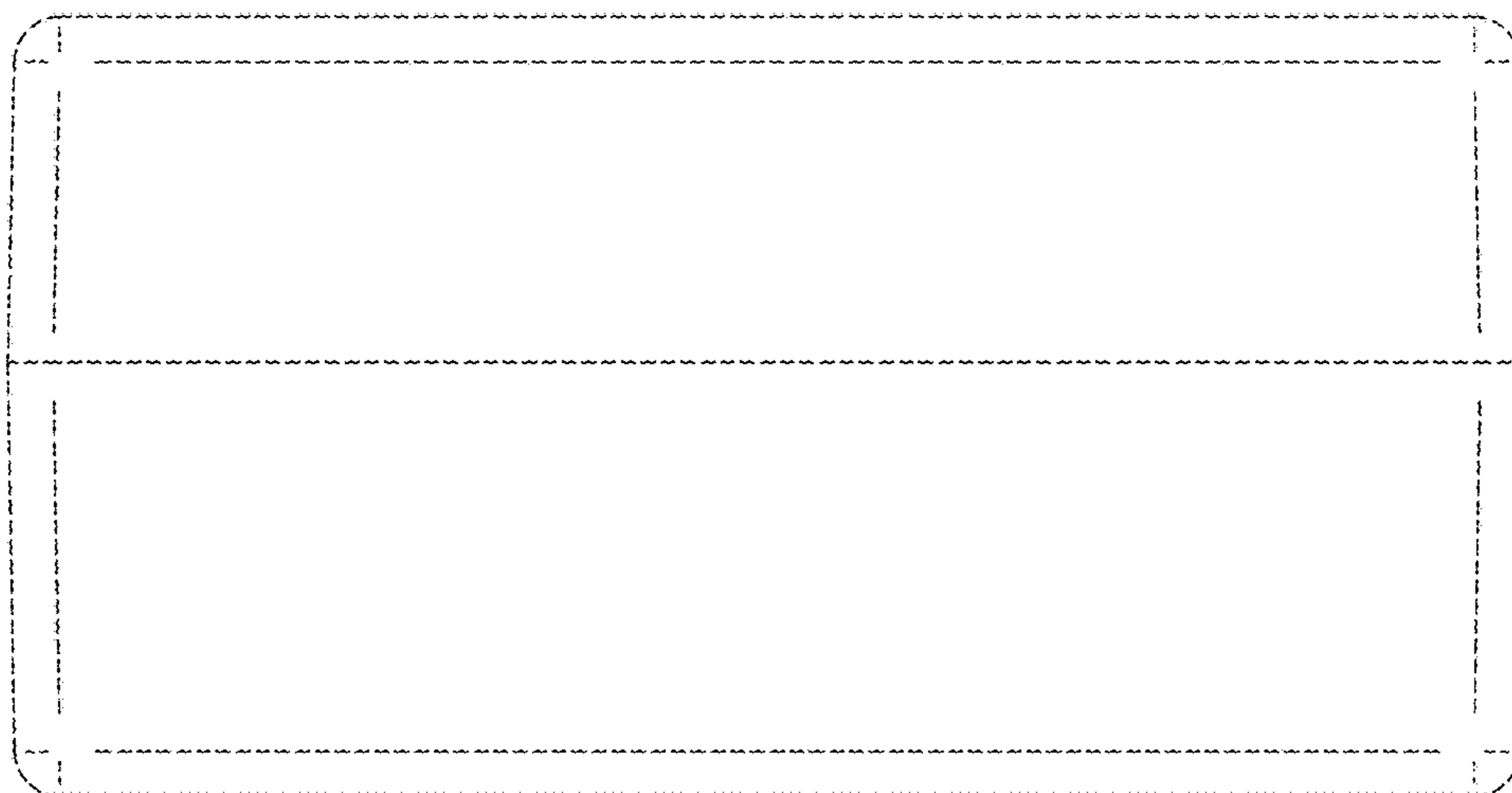


FIG. 4

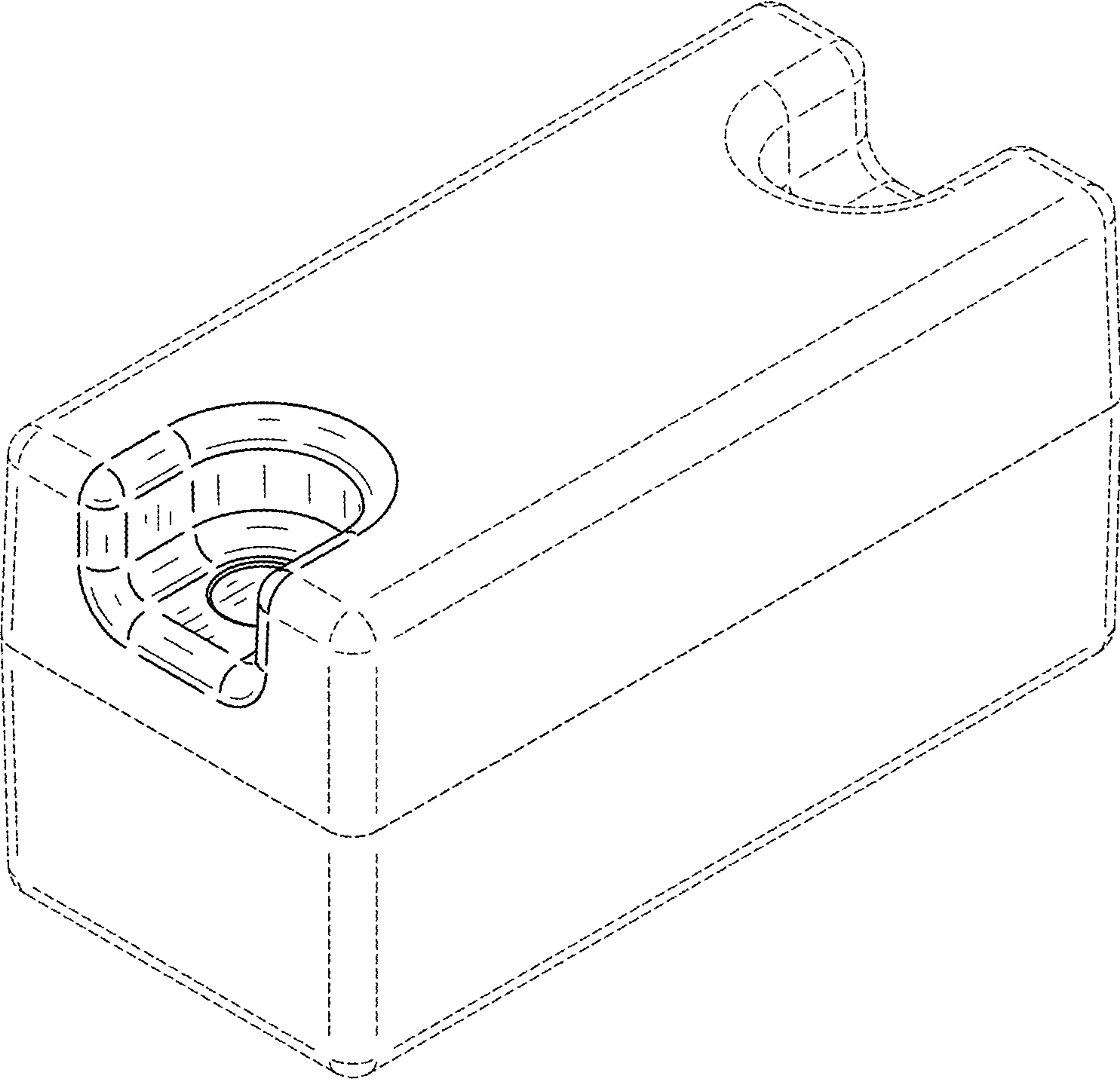


FIG. 5



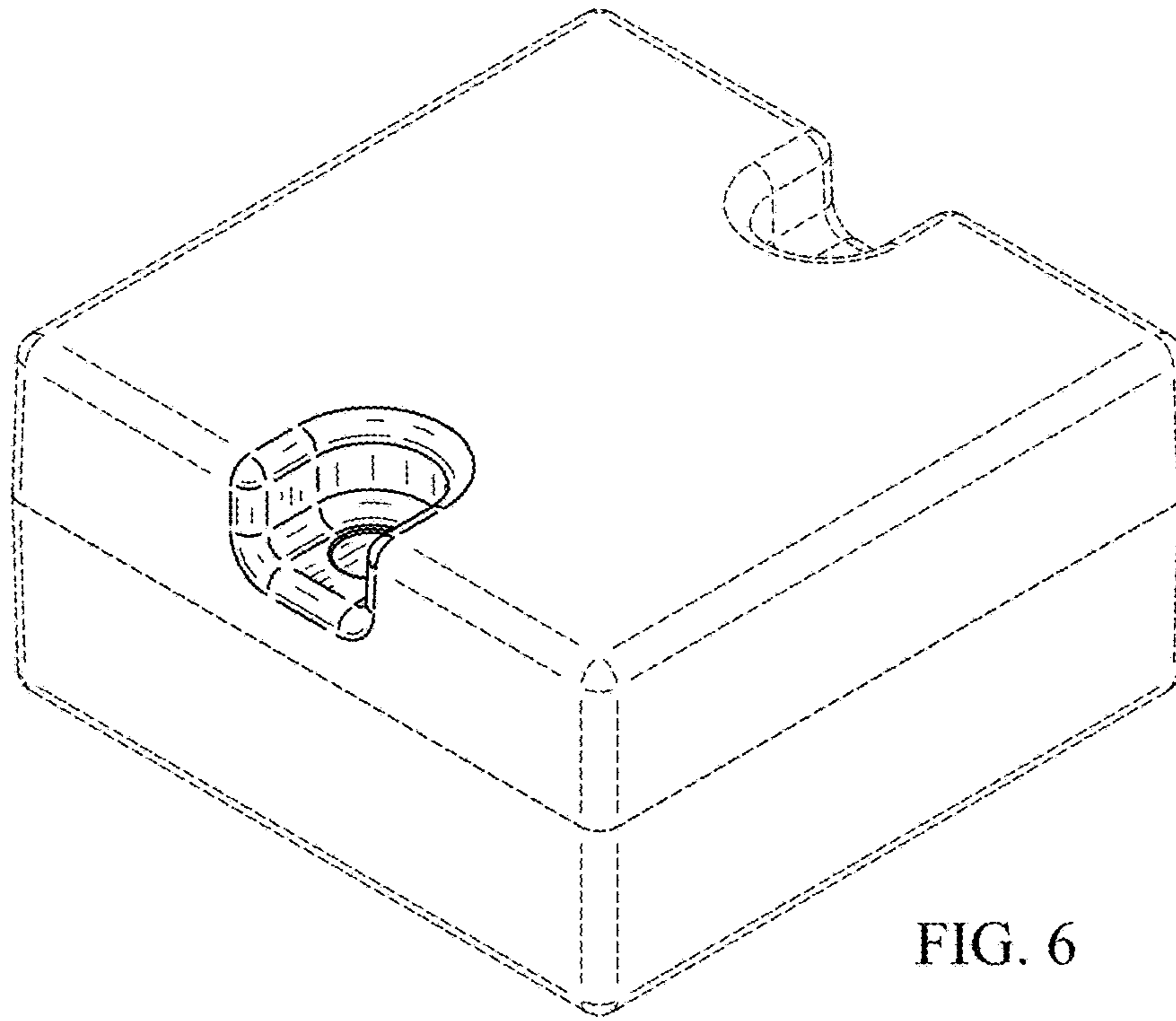


FIG. 6

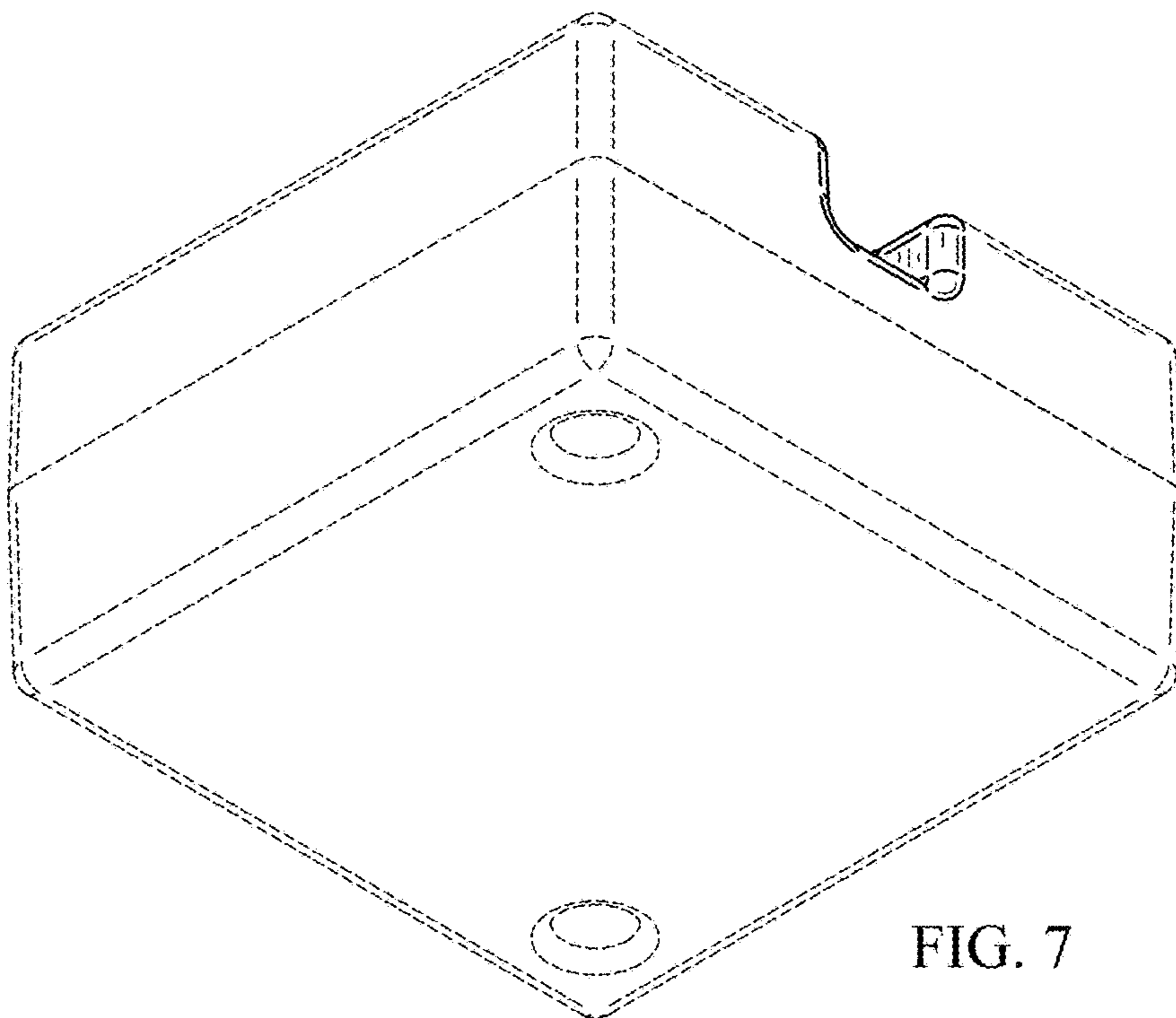


FIG. 7

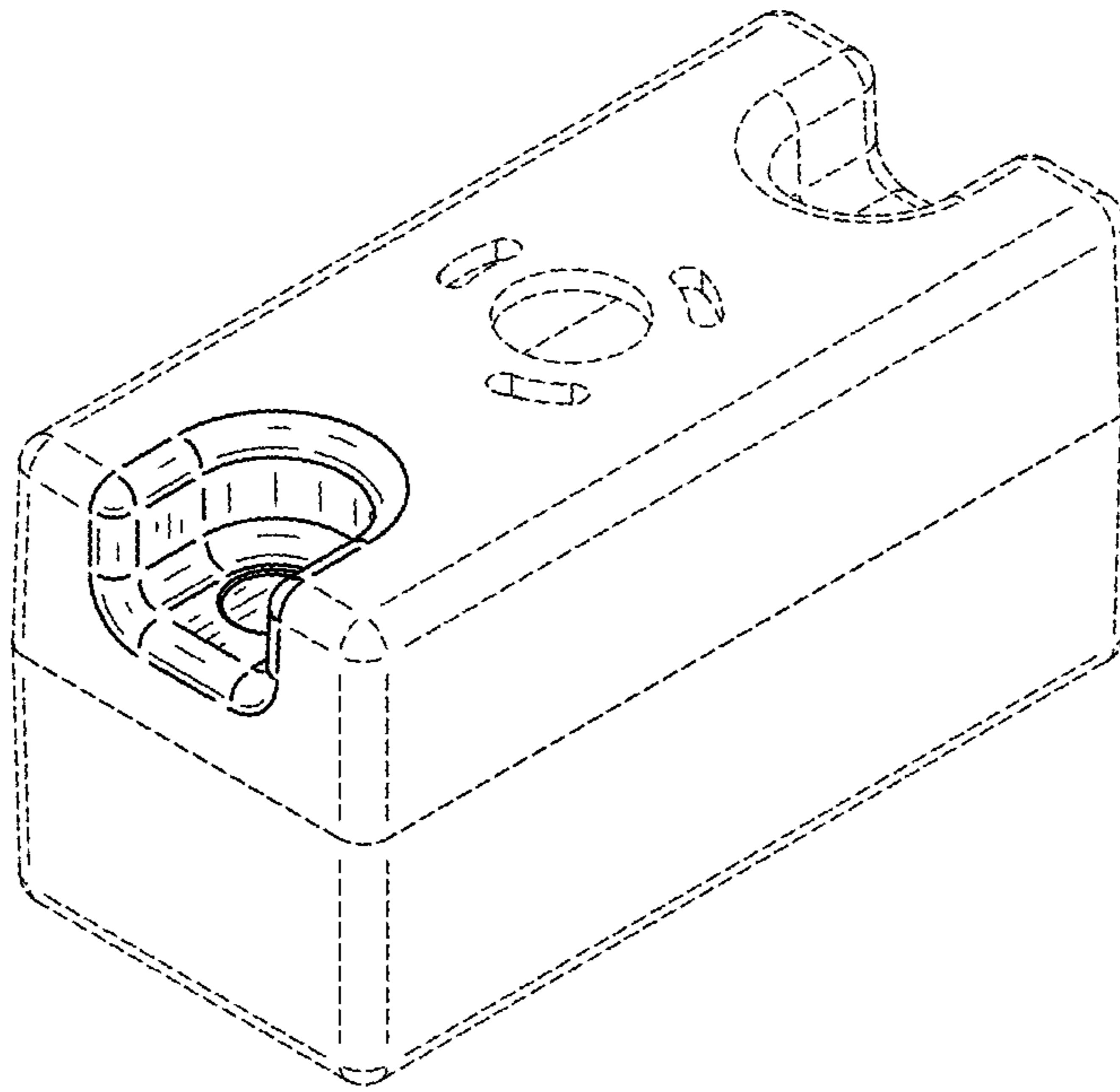


FIG. 8

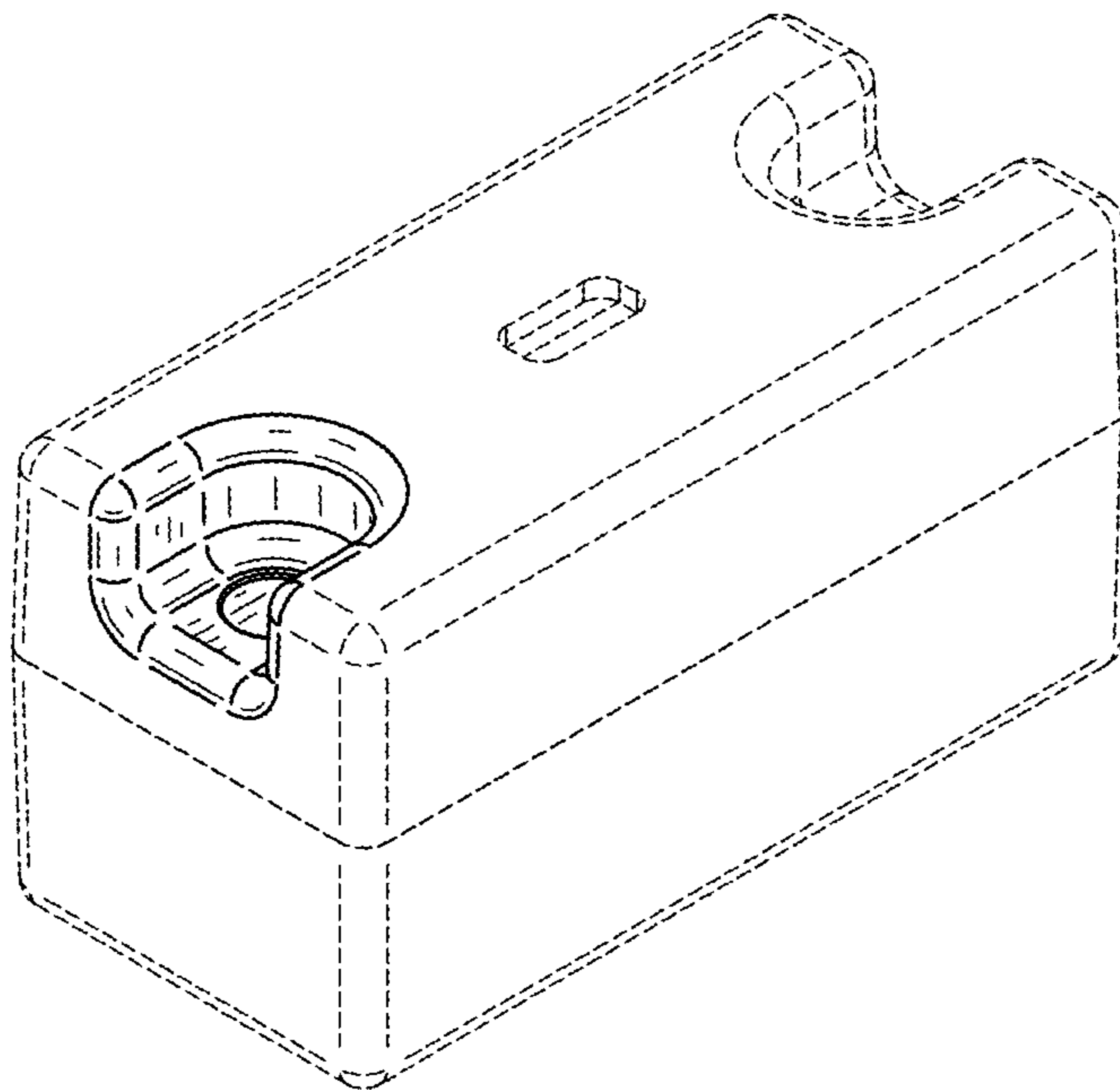


FIG. 9

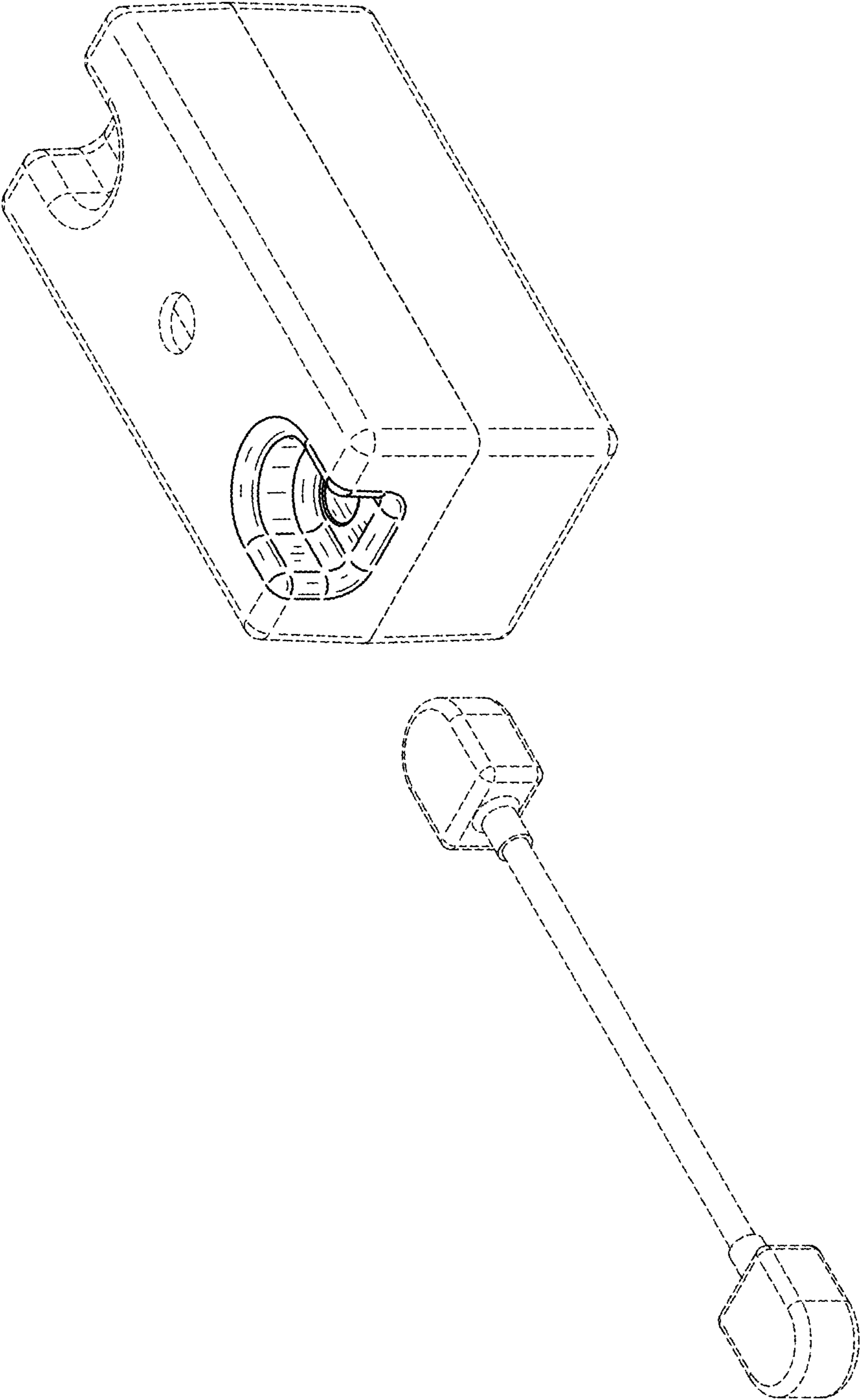


FIG. 10



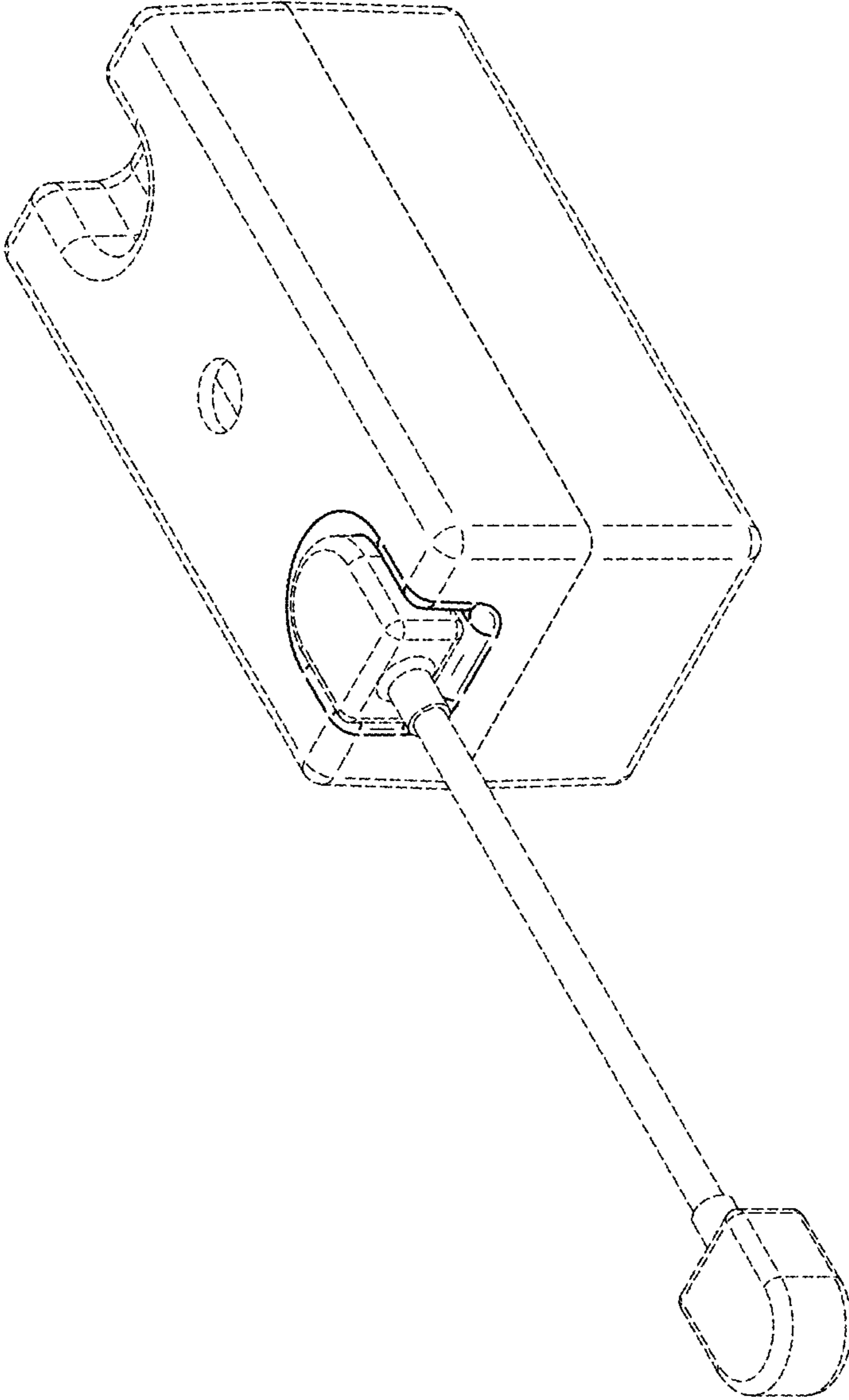


FIG. 11

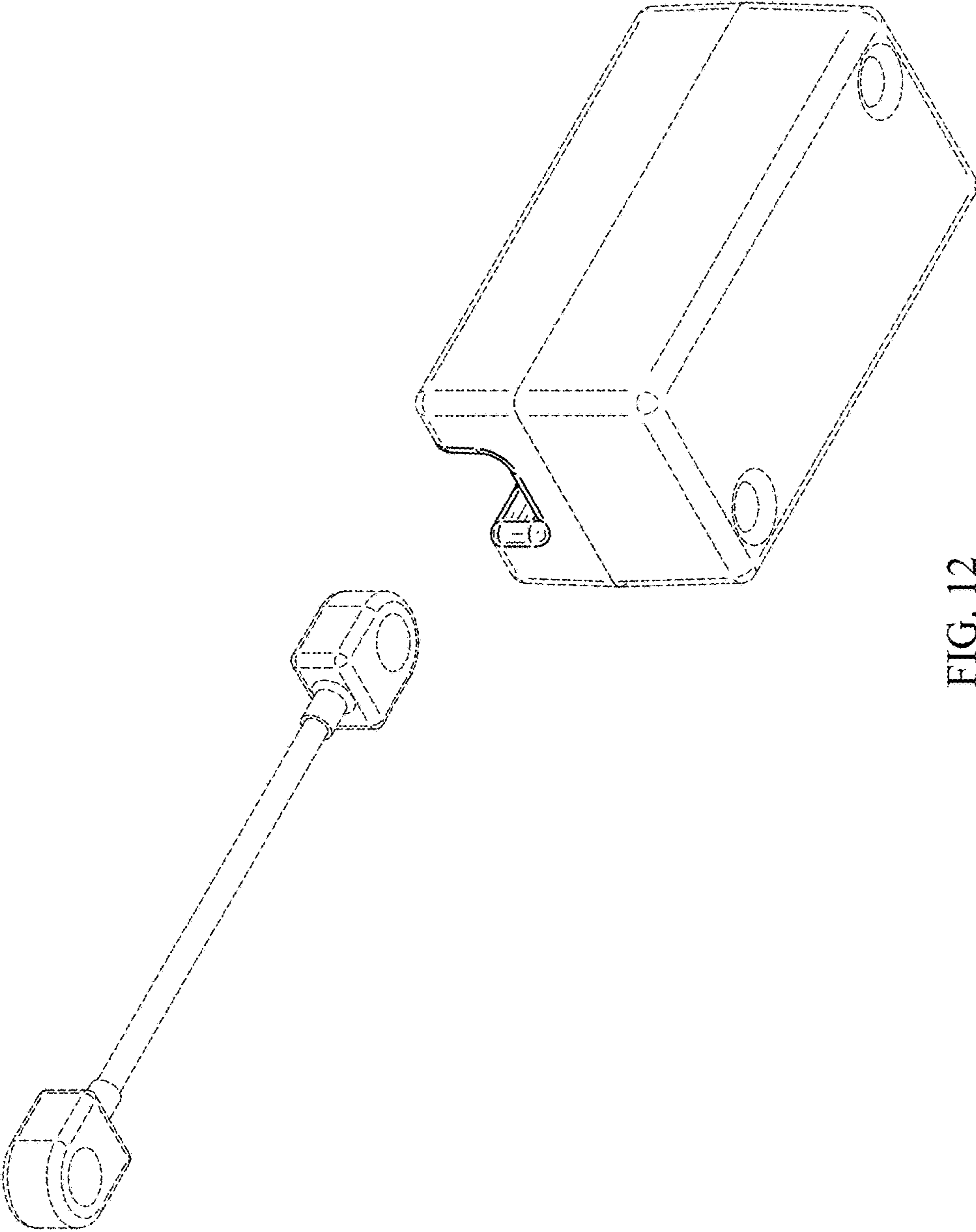


FIG. 12