



US00D833989S

(12) **United States Design Patent**
Tamura

(10) **Patent No.:** **US D833,989 S**

(45) **Date of Patent:** **** Nov. 20, 2018**

(54) **LIGHT EMITTING DIODE**

(71) Applicants: **CITIZEN ELECTRONICS CO., LTD.**, Fujiyoshida-shi, Yamanashi (JP); **CITIZEN WATCH CO., LTD.**, Tokyo (JP)

(72) Inventor: **Ryo Tamura**, Yamanashi (JP)

(73) Assignees: **CITIZEN ELECTRONICS CO., LTD.**, Yamanashi (JP); **CITIZEN WATCH CO., LTD.**, Tokyo (JP)

(**) Term: **15 Years**

(21) Appl. No.: **29/609,118**

(22) Filed: **Jun. 28, 2017**

(30) **Foreign Application Priority Data**

Mar. 15, 2017 (JP) 2017-005296

(51) **LOC (11) Cl.** **13-03**

(52) **U.S. Cl.**
USPC **D13/180**

(58) **Field of Classification Search**
USPC D13/180; D26/1
CPC ... H01L 25/167; H01L 25/0753; H01L 27/15;
H01L 27/156; H01L 31/02; H01L 33/00;
H01L 33/04; H01L 33/08; H01L 33/10;
H01L 33/20; H01L 33/38; H01L 33/42;
H01L 33/48; H01L 33/483; H01L 33/486
See application file for complete search history.

(56) **References Cited**

U.S. PATENT DOCUMENTS

D592,615 S * 5/2009 Imai D13/180
D628,966 S * 12/2010 Kuwaharada D13/180
D631,020 S * 1/2011 Chuang D13/180
7,943,951 B2 * 5/2011 Kim H01L 33/58
257/100
D649,943 S * 12/2011 Kuwaharada D13/180
D667,802 S * 9/2012 Otaki D13/180

D675,169 S * 1/2013 Chou D13/180
D703,348 S * 4/2014 Reiherzer D26/2
8,748,915 B2 * 6/2014 Chan C09K 11/7731
257/91
D713,804 S * 9/2014 Britt D13/180
D718,725 S * 12/2014 Reiherzer D13/180
D746,240 S * 12/2015 Bergmann D13/180

(Continued)

FOREIGN PATENT DOCUMENTS

JP D1252005 9/2005

OTHER PUBLICATIONS

Unpublished U.S. Appl. No. 29/609,160, filed Jun. 28, 2017.

Primary Examiner — Selina Sikder

(74) *Attorney, Agent, or Firm* — Procopio, Cory, Hargreaves & Savitch LLP

(57) **CLAIM**

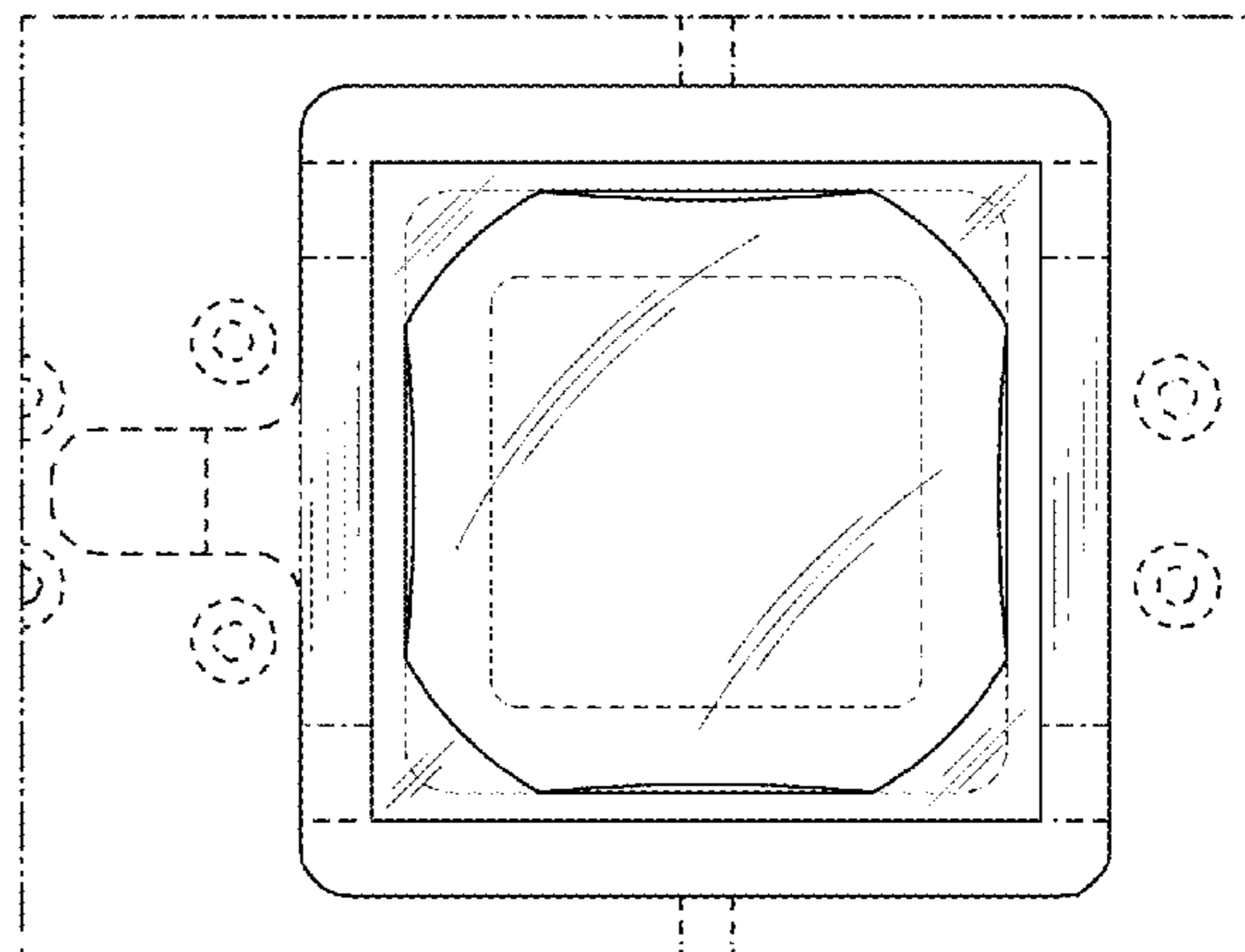
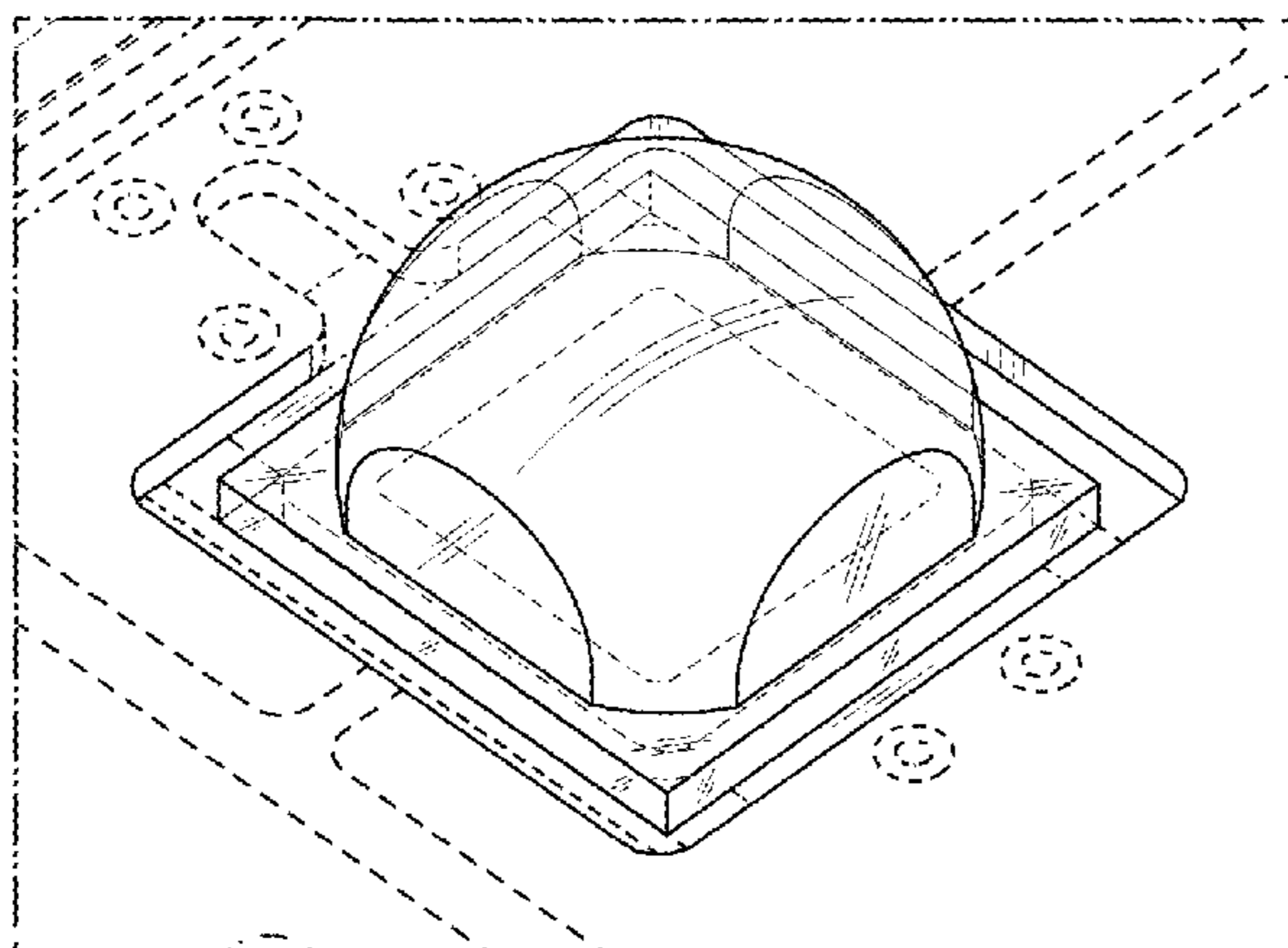
The ornamental design for a light emitting diode, as shown and described.

DESCRIPTION

FIG. 1 is a perspective view of a light emitting diode showing my new design;
FIG. 2 is a top plan view thereof;
FIG. 3 is a front elevational view thereof;
FIG. 4 is a rear elevational view thereof;
FIG. 5 is a right side elevational view thereof;
FIG. 6 is a bottom plan view thereof;
FIG. 7 is an enlarged fragmental view defined by line 7 in FIG. 1; and,
FIG. 8 is an enlarged fragmental view defined by line 8 in FIG. 2.

The broken lines shown in the drawings are for illustrative purposes only and form no part of the claimed design. The dot-dashed lines show unclaimed boundaries, and the dot-dot-dashed lines show areas of enlargement.

1 Claim, 6 Drawing Sheets



(56)

References Cited

U.S. PATENT DOCUMENTS

D768,584 S	10/2016	Kiridoshi et al.	
D790,486 S *	6/2017	Reiherzer	D13/180
D800,679 S	10/2017	Omor	
9,887,327 B2 *	2/2018	Reiherzer	H01L 33/505
2004/0227149 A1 *	11/2004	Ibbetson	H01L 33/54 257/100

* cited by examiner

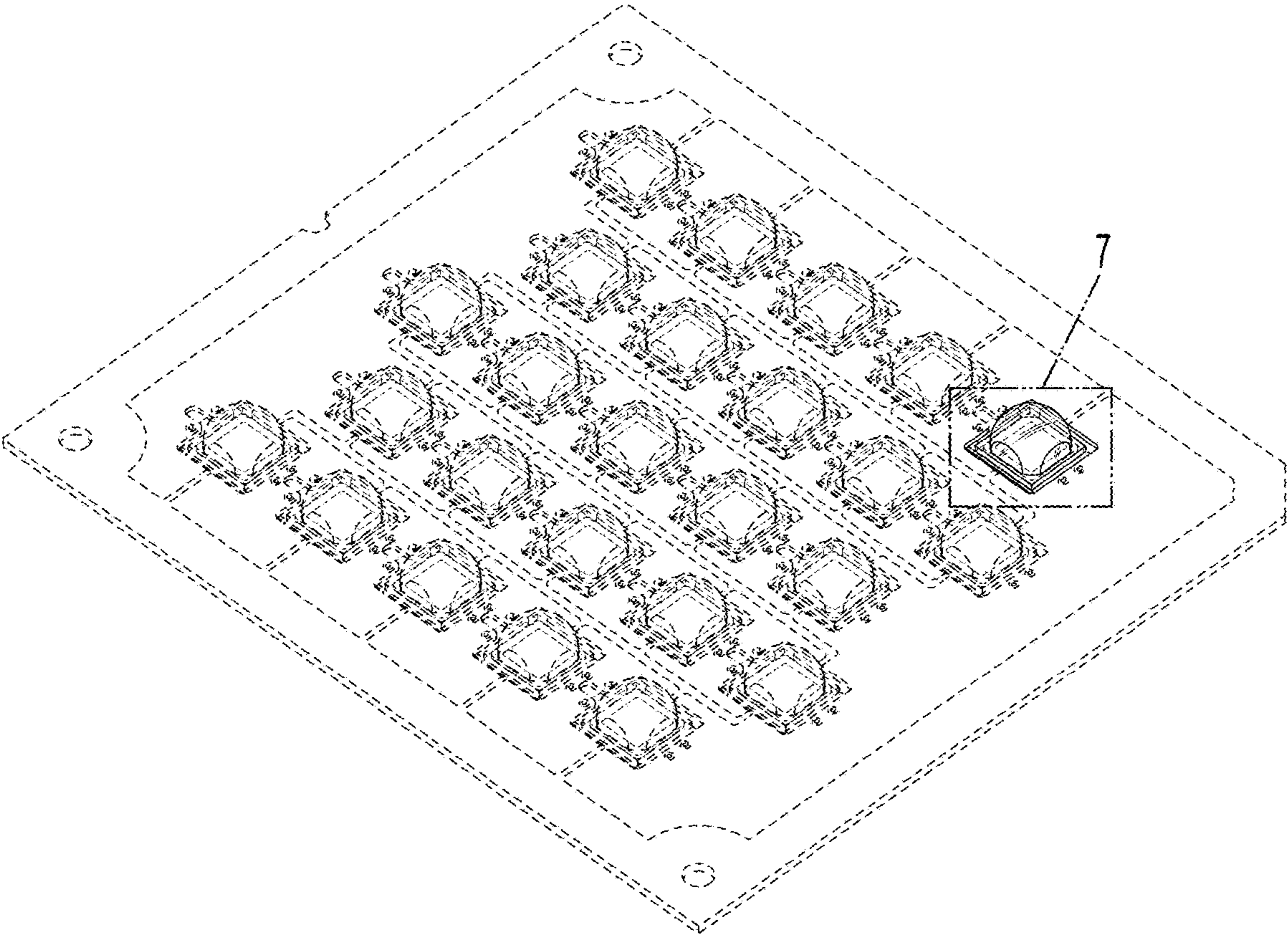


FIG. 1

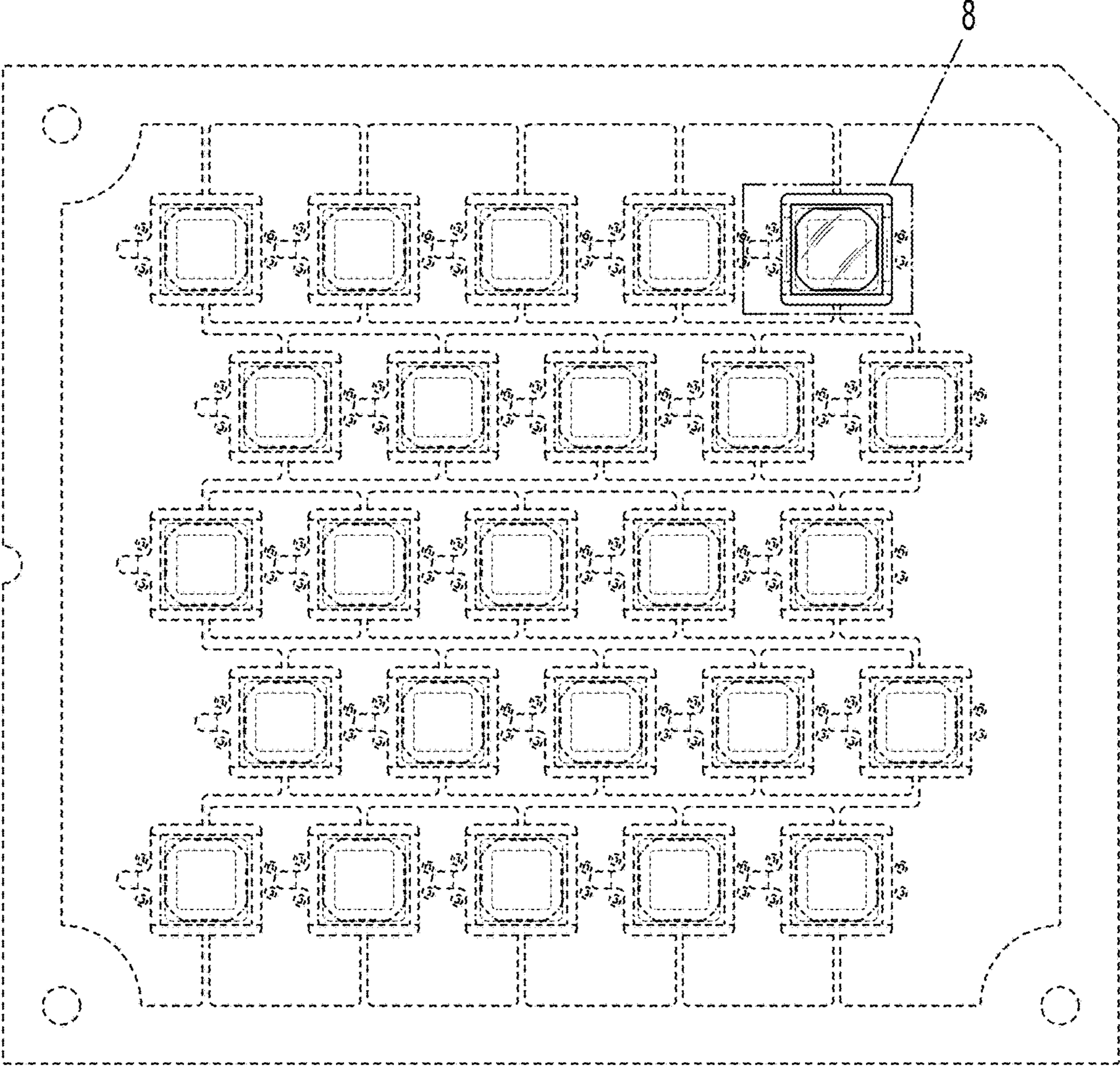


FIG. 2

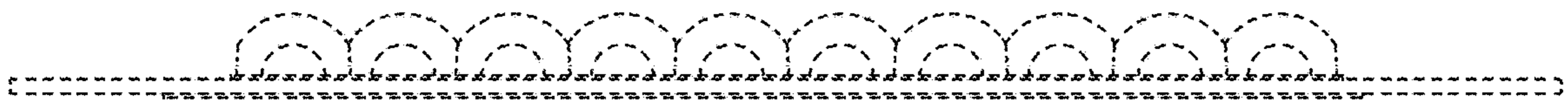


FIG. 3

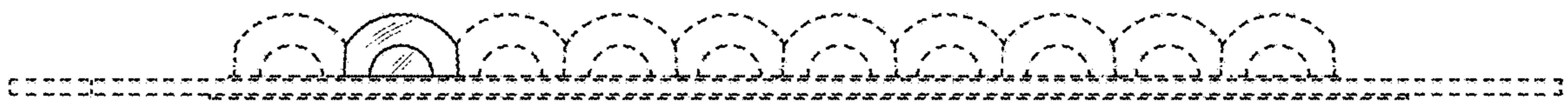


FIG. 4



FIG. 5

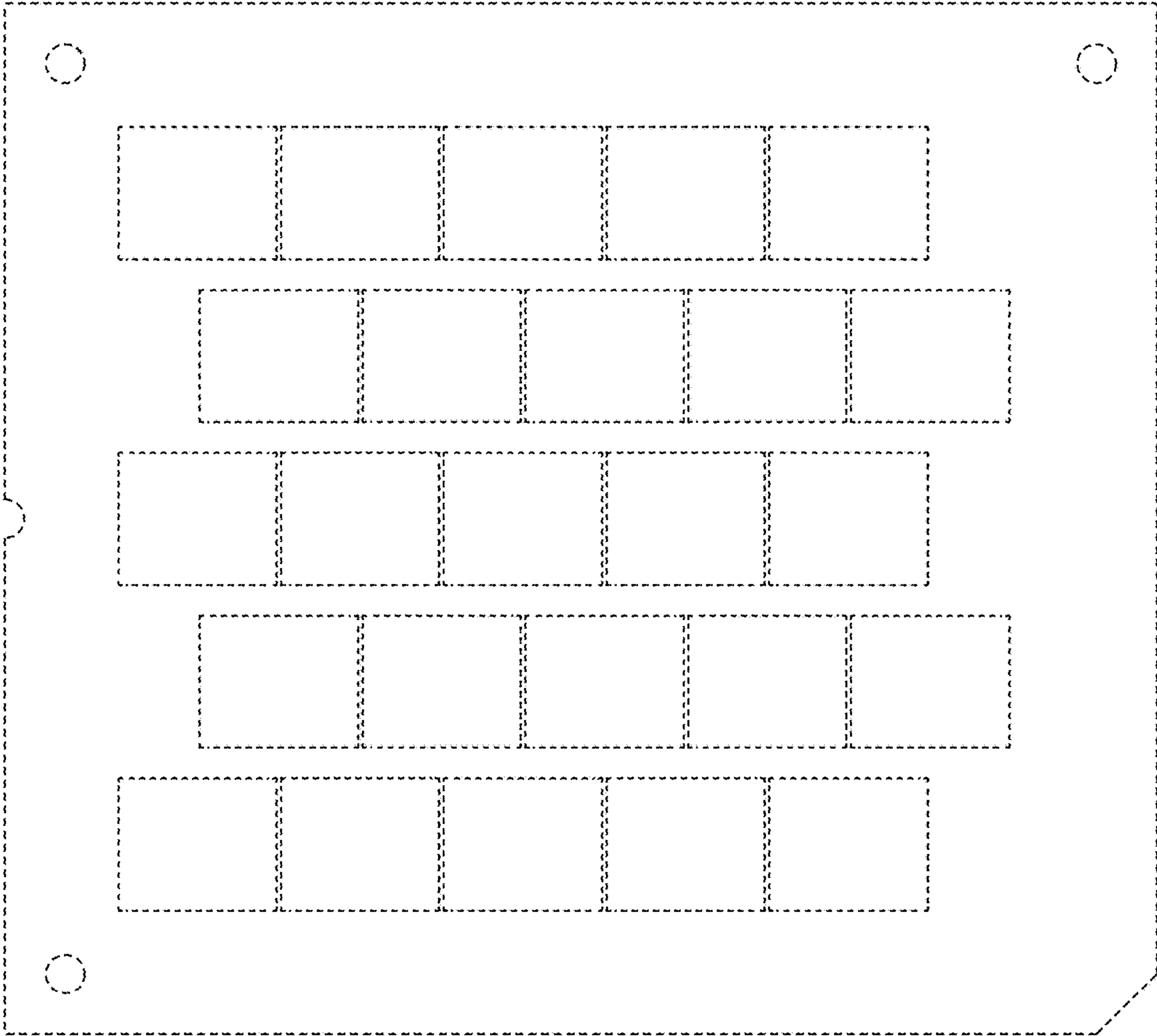


FIG. 6

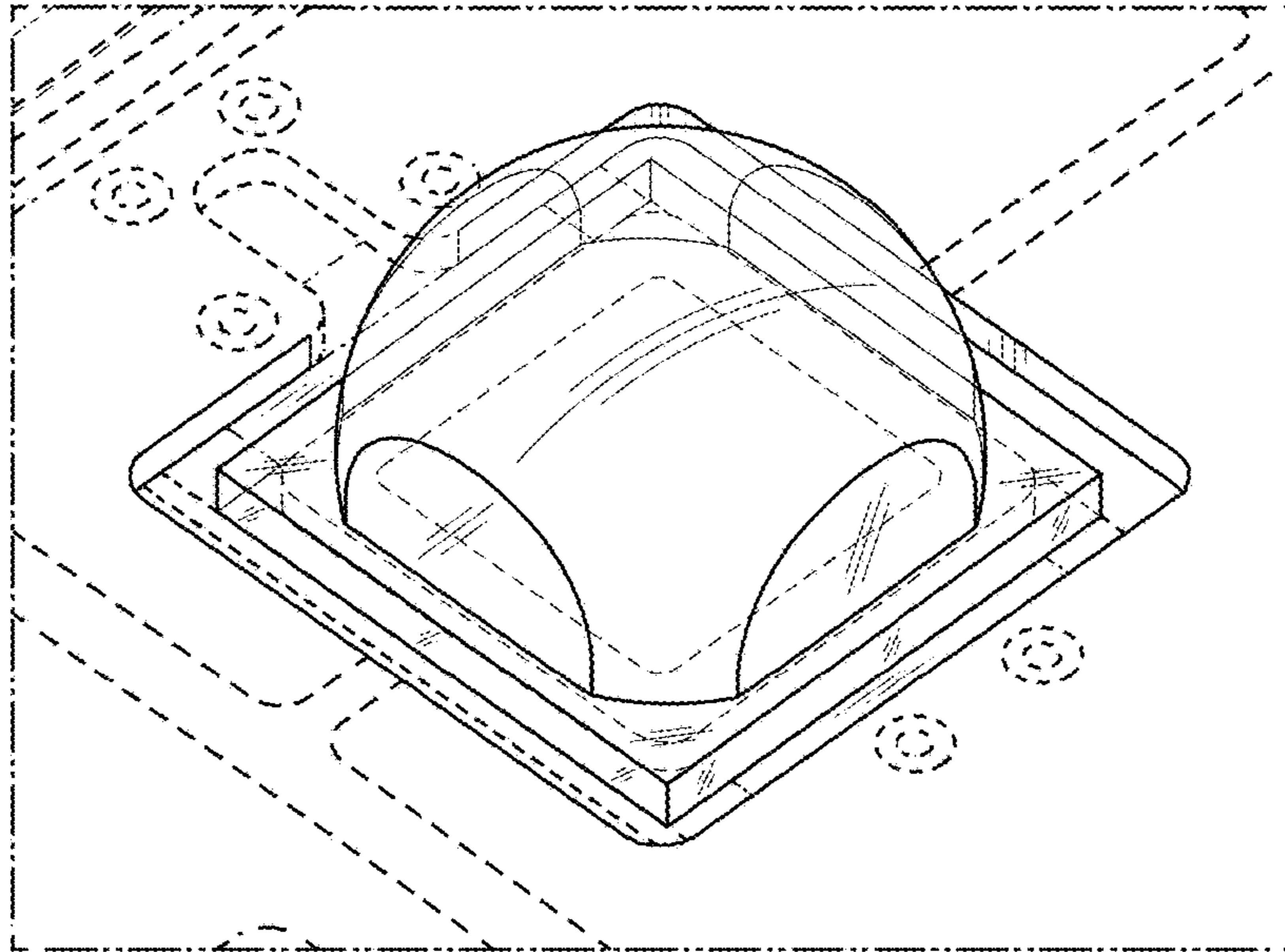


FIG. 7

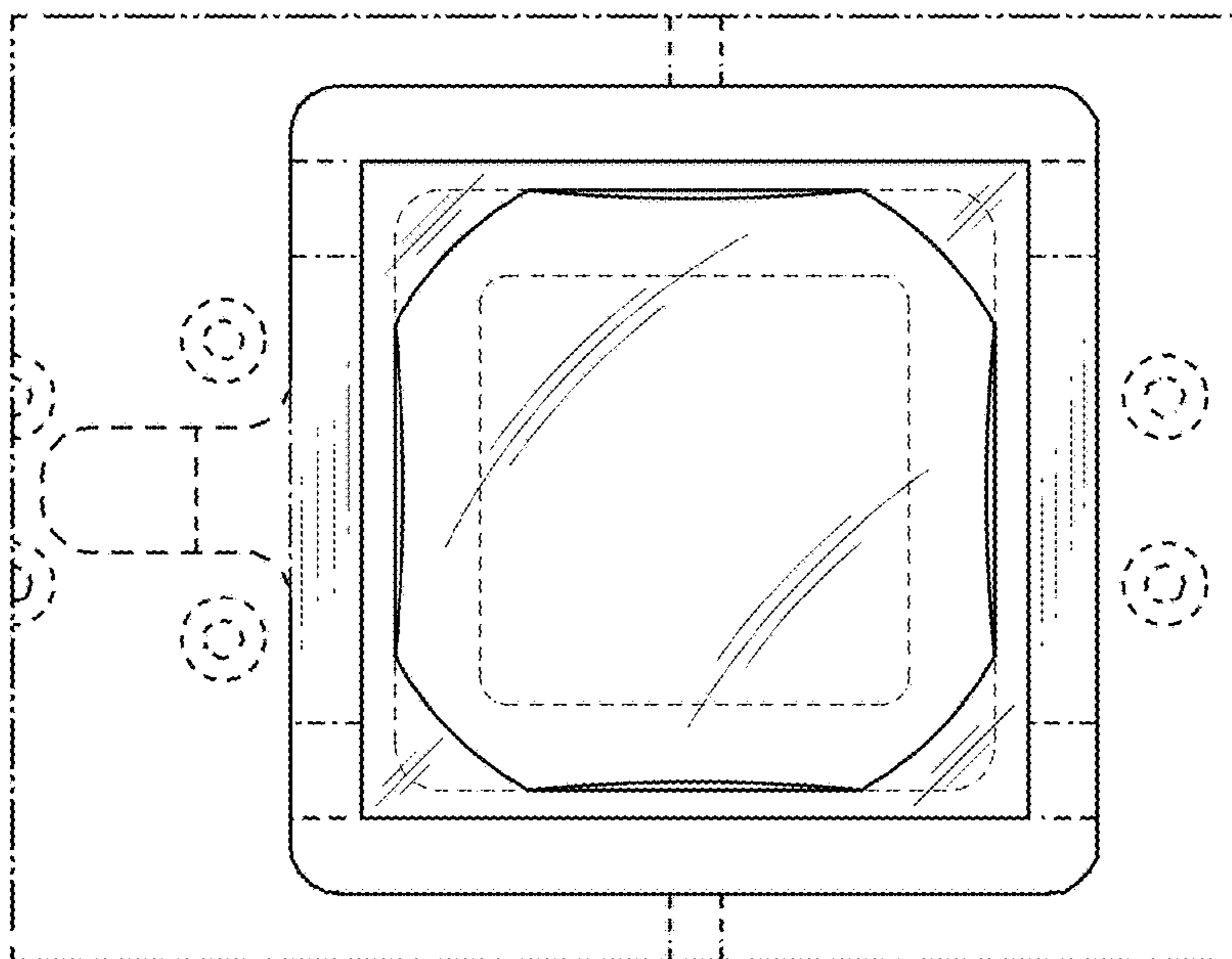


FIG. 8