

US00D833981S

(12) **United States Design Patent**
Seal et al.

(10) **Patent No.:** **US D833,981 S**

(45) **Date of Patent:** **** Nov. 20, 2018**

(54) **HEIGHT ADJUSTABLE DESK OR TABLE CONTROL**

(71) Applicant: **HNI Technologies Inc.**, Muscatine, IA (US)

(72) Inventors: **David B. Seal**, Chicago, IL (US); **Keith D. Alsberg**, Evanston, IL (US)

(**) Term: **15 Years**

(21) Appl. No.: **29/619,659**

(22) Filed: **Sep. 29, 2017**

(51) **LOC (11) Cl.** **13-03**

(52) **U.S. Cl.**
USPC **D13/162**

(58) **Field of Classification Search**
USPC D13/139.4, 158, 162, 164; D14/305; 200/61.7, 296; 108/20
CPC .. H01H 3/00; H01H 3/02; H01H 3/04; H01H 3/06; H01H 9/02; H01H 13/02; H01H 13/04; H01H 13/10; H01H 13/86; H01H 21/22; H01H 21/24; A47C 1/0345; A47C 1/035; A47B 21/02; A47B 9/00; A61G 13/02; A61G 7/018; G05B 15/02
See application file for complete search history.

(56) **References Cited**

U.S. PATENT DOCUMENTS

5,259,326	A *	11/1993	Borgman	A47B 9/00	108/147
D353,363	S *	12/1994	Toby	D13/139.4	
D473,525	S *	4/2003	Pincek	D13/162	
6,595,144	B1 *	7/2003	Doyle	A47B 9/00	108/147
D502,474	S *	3/2005	Raarup	D15/143	
7,538,284	B2 *	5/2009	Nielsen	A47B 9/00	200/296
D599,745	S *	9/2009	Yang	D13/164	

8,312,578	B2 *	11/2012	L'Hegarat	A61G 13/02	180/65.1
D678,217	S *	3/2013	Helm	D13/162	
D678,847	S *	3/2013	Helm	D13/162	
D689,825	S *	9/2013	Wenji	D13/162	
D740,763	S *	10/2015	Wenji	D13/162	
D753,609	S *	4/2016	Wetzel	D10/49	
9,608,557	B2 *	3/2017	Clausen	H02P 29/40	
9,703,278	B2 *	7/2017	Kristensen	G05B 15/02	
D794,581	S *	8/2017	Lin	D13/169	
2013/0199419	A1 *	8/2013	Hjelm	A47B 9/00	108/20
2013/0204438	A1 *	8/2013	Hjelm	A47B 9/00	700/275

(Continued)

Primary Examiner — Selina Sikder

(74) *Attorney, Agent, or Firm* — Faegre Baker Daniels LLP

(57) **CLAIM**

The ornamental design for a height adjustable desk or table control, as shown and described.

DESCRIPTION

FIG. 1 is a perspective view of a height adjustable desk or table control;

FIG. 2 is a front view of the height adjustable desk or table control shown in FIG. 1;

FIG. 3 is a rear view of the height adjustable desk or table control shown in FIG. 1;

FIG. 4 is a first, side view of the height adjustable desk or table control shown in FIG. 1;

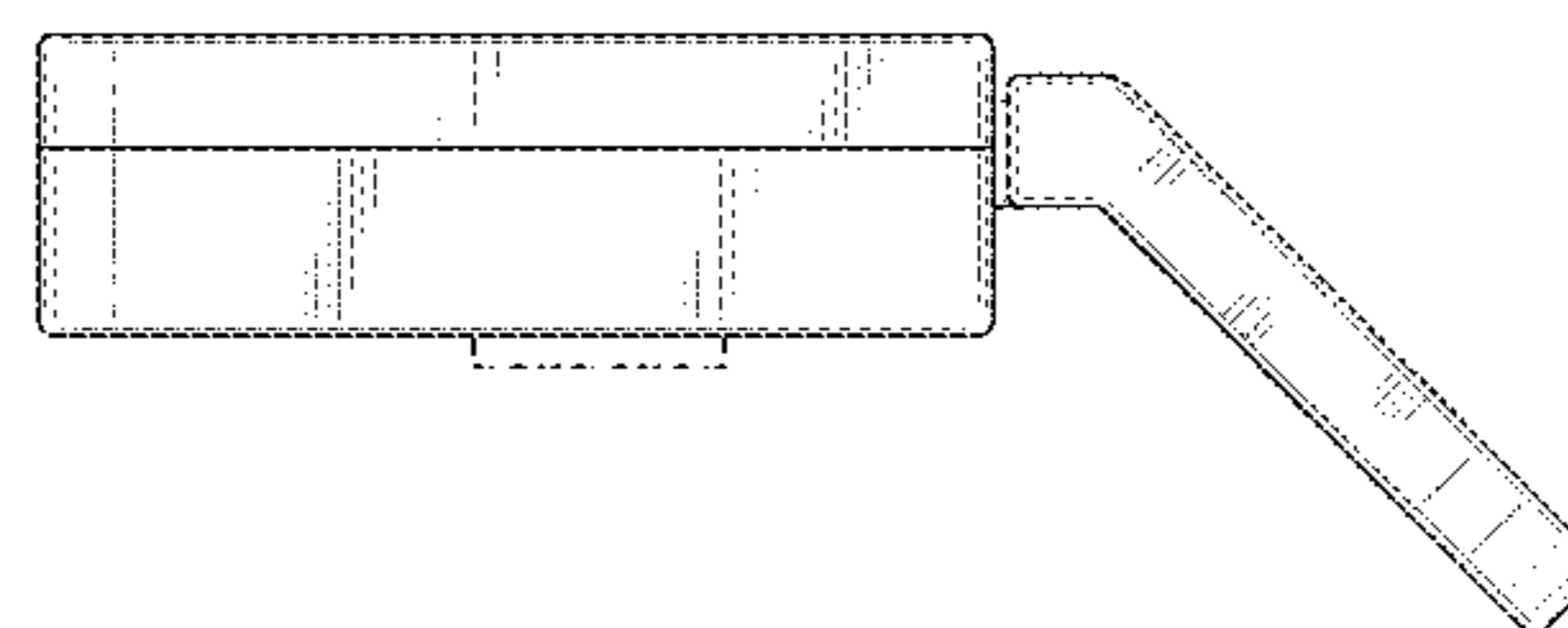
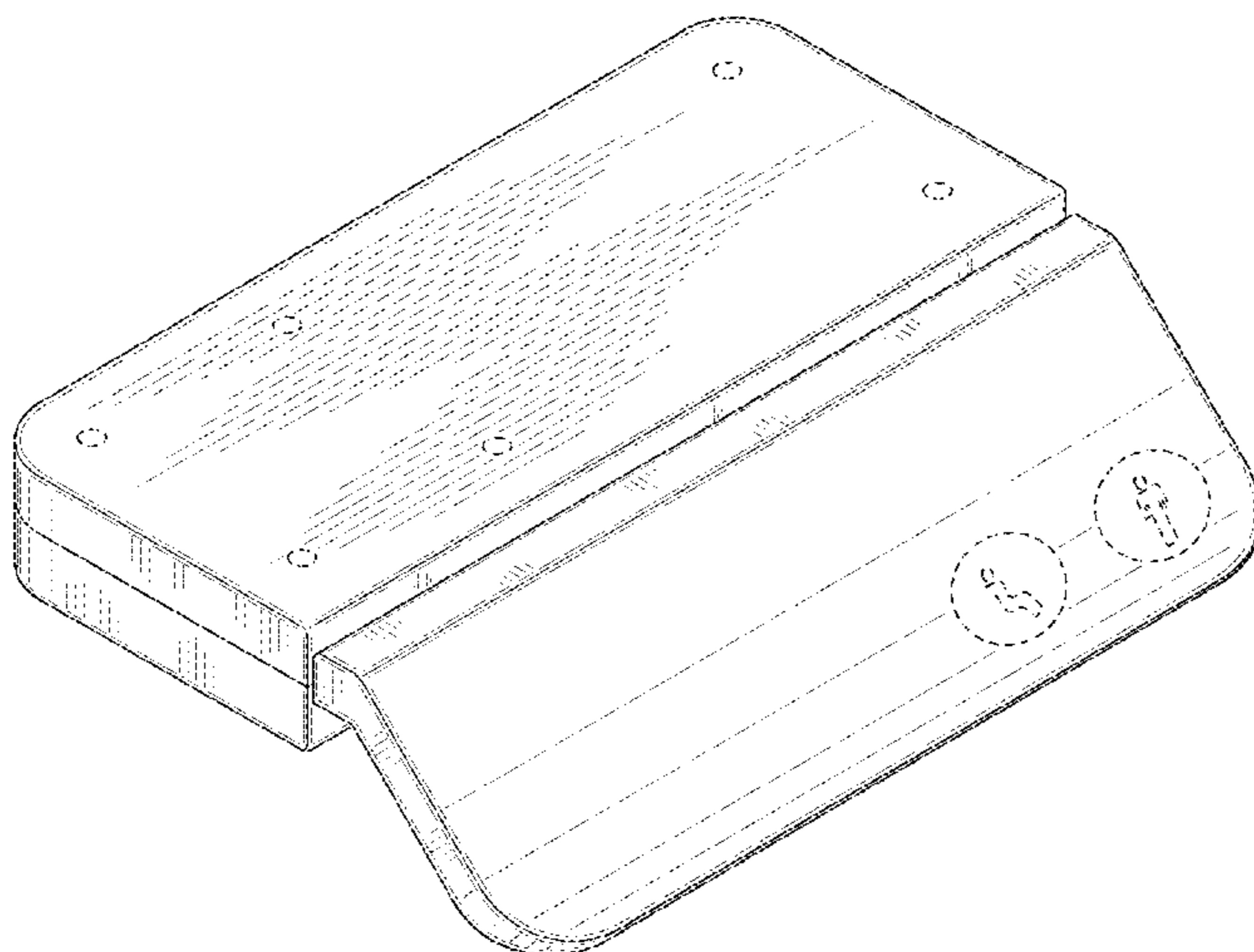
FIG. 5 is a second, side view of the height adjustable desk or table control shown in FIG. 1;

FIG. 6 is a top view of the height adjustable desk or table control shown in FIG. 1; and,

FIG. 7 is a bottom view of the height adjustable desk or table control shown in FIG. 1.

Broken lines are also for illustrative purposes only and form no part of the claimed design.

1 Claim, 7 Drawing Sheets



(56)

References Cited

U.S. PATENT DOCUMENTS

2014/0350701 A1* 11/2014 Underwood H01R 9/2408
700/83
2015/0246404 A1* 9/2015 Teraoka B23K 3/08
219/129
2016/0309889 A1* 10/2016 Lin A47B 9/00

* cited by examiner

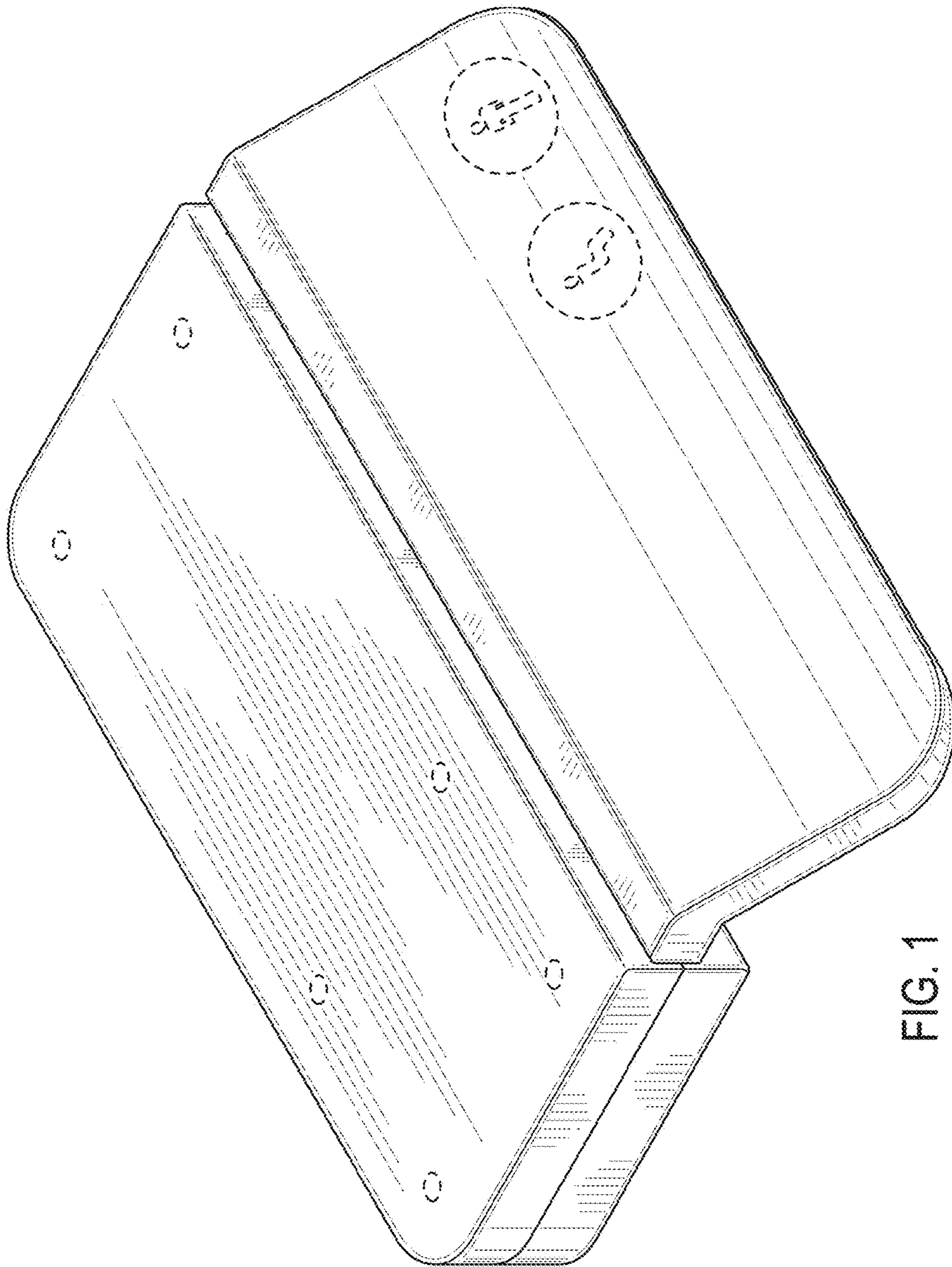


FIG. 1

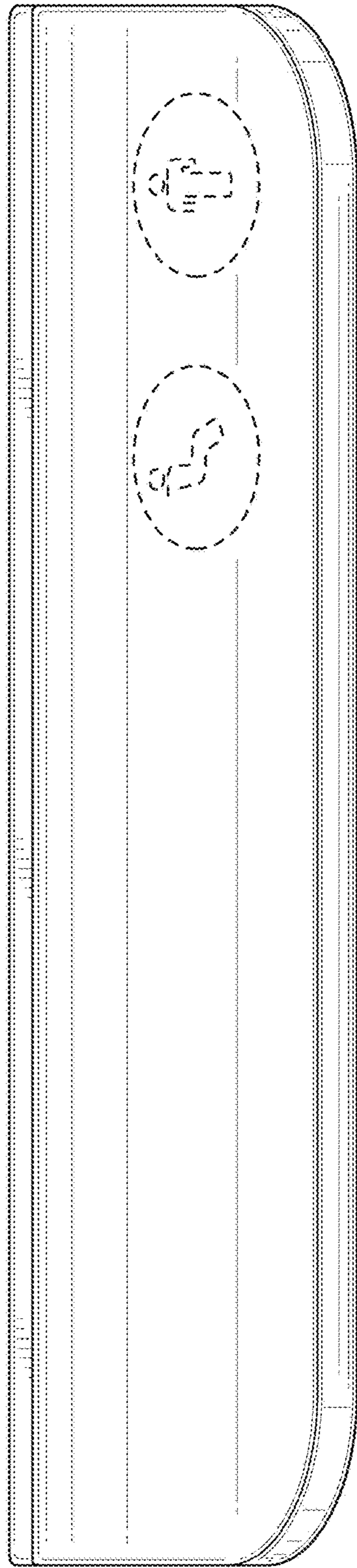


FIG. 2

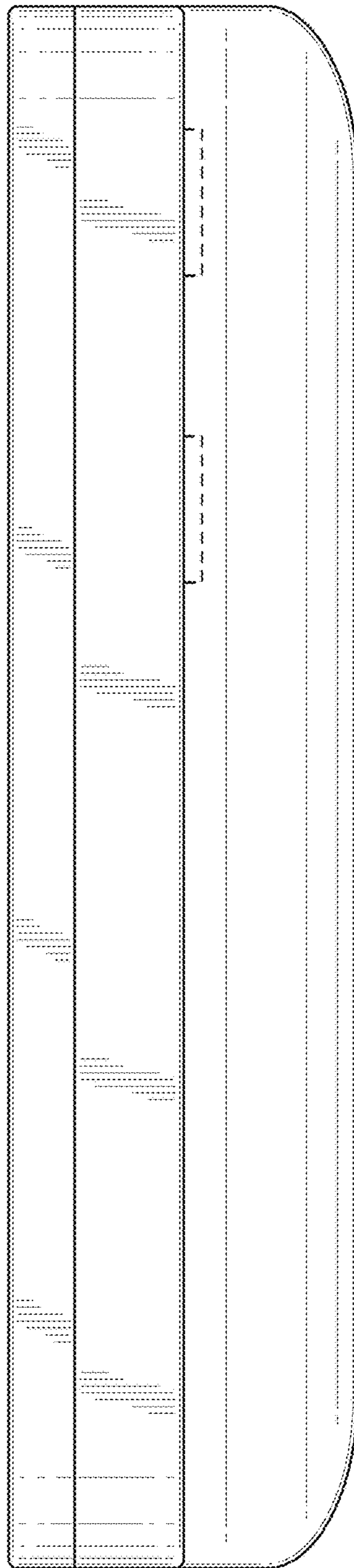


FIG. 3

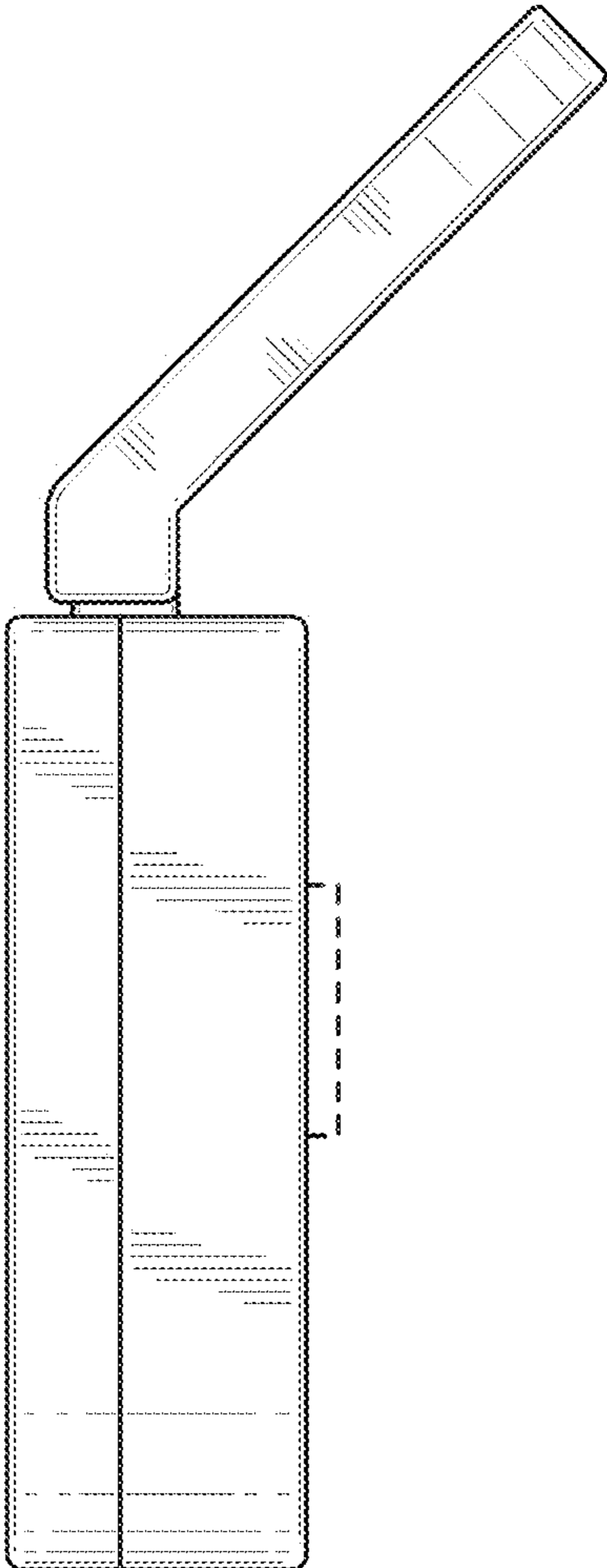


FIG. 4

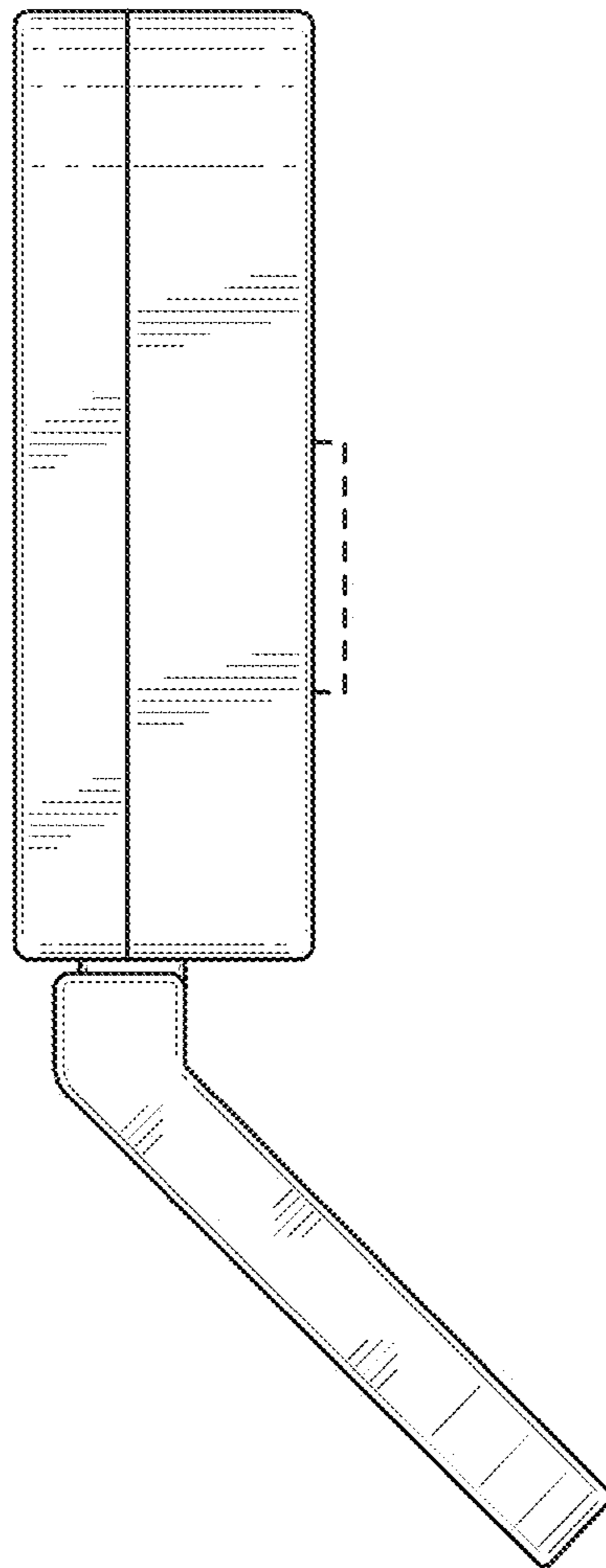


FIG. 5

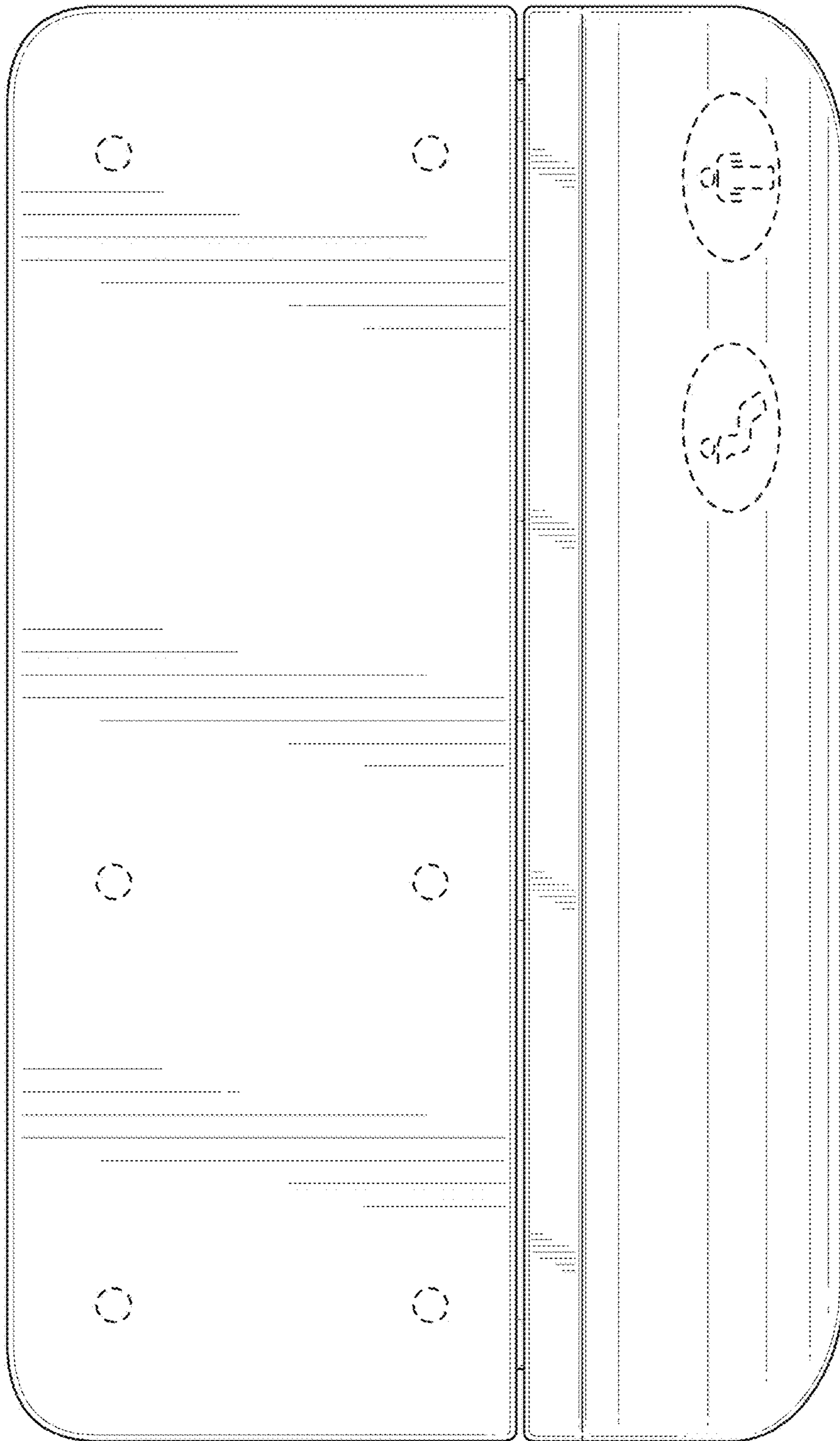


FIG. 6

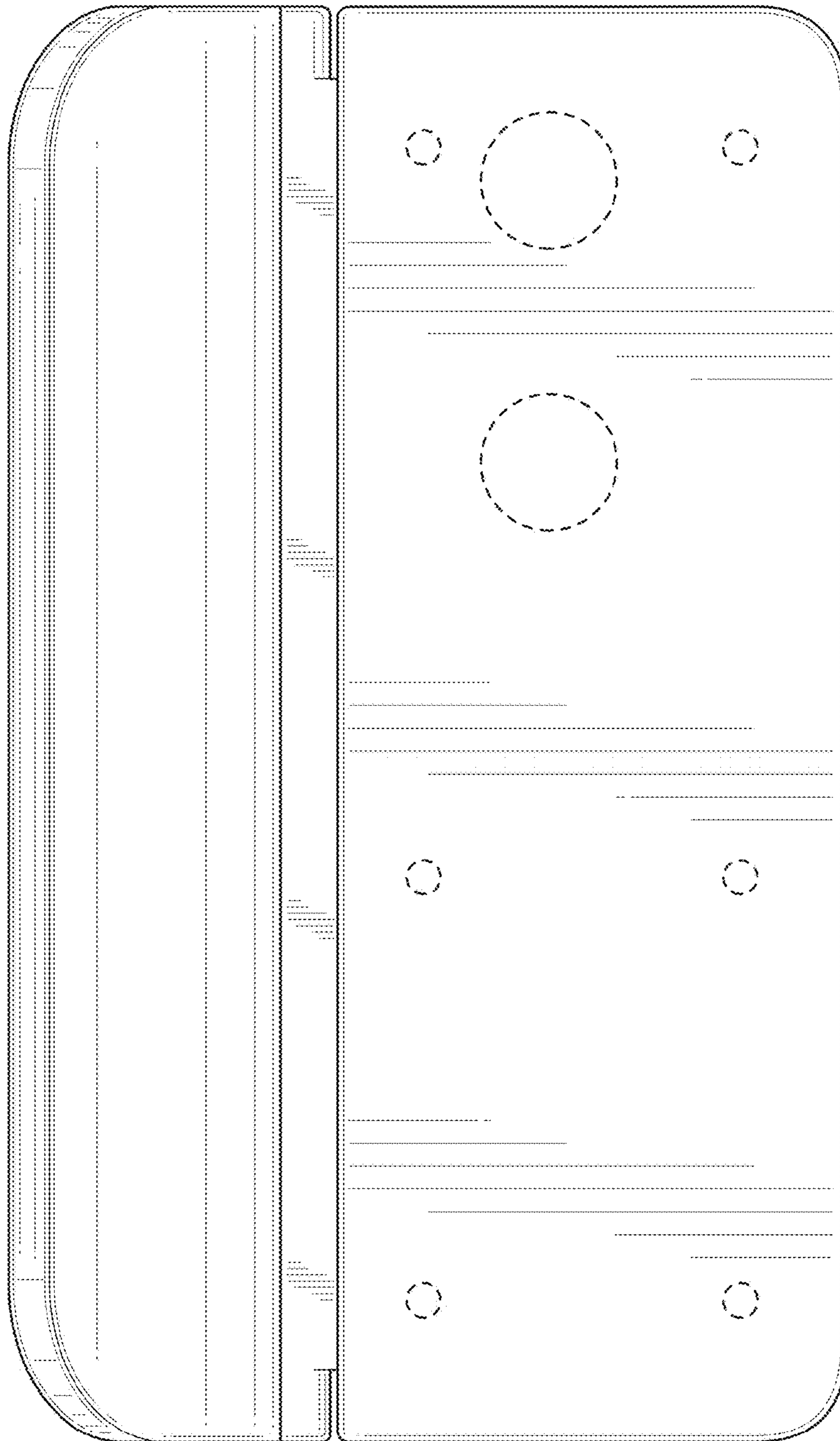


FIG. 7