



US00D833980S

(12) **United States Design Patent** (10) **Patent No.:** **US D833,980 S**
Edmonds (45) **Date of Patent:** **** Nov. 20, 2018**

(54) **CONTINUITY MEMBER FOR A COAXIAL CABLE CONNECTOR**
(71) Applicant: **PCT International, Inc.**, Mesa, AZ (US)
(72) Inventor: **Samuel S. Edmonds**, Gilbert, AZ (US)
(**) Term: **15 Years**
(21) Appl. No.: **29/571,986**
(22) Filed: **Jul. 22, 2016**
(51) **LOC (11) Cl.** **13-03**
(52) **U.S. Cl.**
USPC **D13/156**
(58) **Field of Classification Search**
USPC D13/110, 123, 133, 137.1, 139.1, 139.4, D13/152, 154, 155, 156, 158, 162, 164, D13/173, 177, 184; D8/349-351, 353; 174/67, 66; D10/49; 439/147-149, 373, 439/391, 535, 536, 538
CPC H02G 11/02; B65H 2701/3919; B65H 75/48; H01R 13/72
See application file for complete search history.

5,562,506 A * 10/1996 Wright H01R 24/50 439/578
D378,659 S * 4/1997 Blennov D8/396
6,010,289 A 1/2000 Distasio et al.
6,042,422 A 3/2000 Youtsey
6,267,612 B1 * 7/2001 Arcykiewicz H01R 13/6275 439/253
6,425,782 B1 7/2002 Holland
6,648,683 B2 11/2003 Youtsey
6,712,631 B1 3/2004 Youtsey
6,767,248 B1 7/2004 Hung
7,018,220 B2 * 3/2006 Zemba H01R 9/032 439/98
7,144,272 B1 12/2006 Burris et al.
7,364,462 B2 4/2008 Holland
7,377,809 B2 5/2008 Dyck
7,510,432 B2 3/2009 Entsfellner
7,527,524 B1 5/2009 Coleman et al.
7,753,727 B1 7/2010 Islam et al.

(Continued)

Primary Examiner — Derrick E Holland
Assistant Examiner — Jennifer O King
(74) *Attorney, Agent, or Firm* — Thomas W. Galvani, P.C.; Thomas W. Galvani

(57) **CLAIM**

The ornamental design for a continuity member for a coaxial cable connector, as shown and described.

(56) **References Cited**

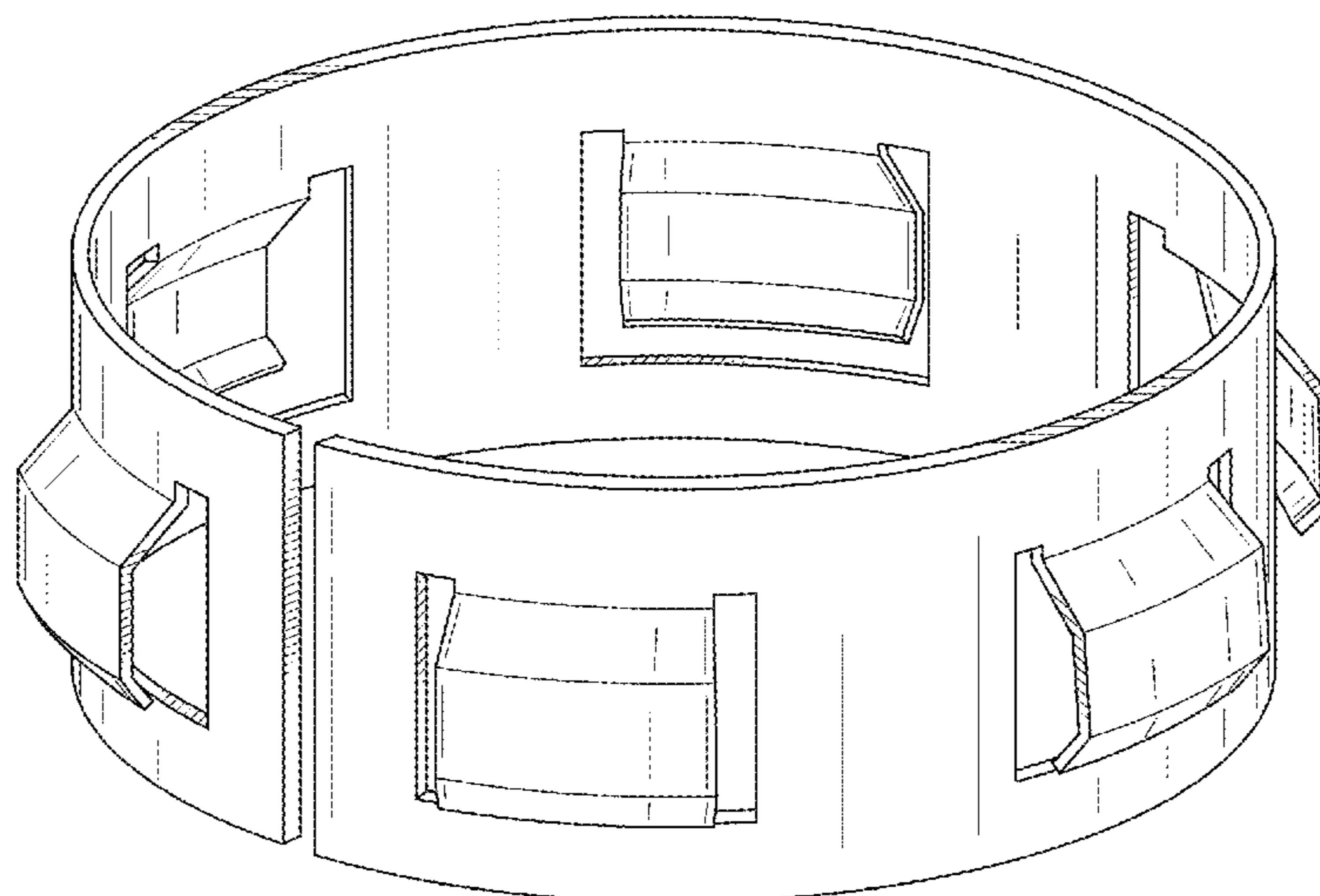
U.S. PATENT DOCUMENTS

3,199,061 A 8/1965 Johnson et al.
4,106,839 A 8/1978 Cooper
4,377,320 A 3/1983 Lanthrop et al.
4,493,525 A * 1/1985 Hall H01R 9/032 439/607.47
4,741,710 A 5/1988 Hogan et al.
4,990,106 A 2/1991 Szegda
5,147,229 A 9/1992 Nestor
5,466,173 A 11/1995 Down
5,498,175 A 3/1996 Yeh et al.
5,501,616 A 3/1996 Holliday
5,536,184 A * 7/1996 Wright H01R 9/0518 439/578

DESCRIPTION

FIG. 1 is a top perspective view of a continuity member for a coaxial cable connector shown in accordance with my new design;
FIG. 2 is a front elevation view thereof;
FIG. 3 is a rear elevation view thereof;
FIG. 4 is a left side elevation view thereof;
FIG. 5 is a right side elevation view thereof;
FIG. 6 is a top plan view thereof; and,
FIG. 7 is a bottom plan view thereof.

1 Claim, 5 Drawing Sheets



(56)

References Cited

U.S. PATENT DOCUMENTS

D631,848 S *	2/2011	Montena	H01R 13/5213	D13/133
7,934,953 B1	5/2011	Solis			
7,976,339 B2	7/2011	Buck et al.			
D646,230 S *	10/2011	Natoli	D13/156	
8,029,316 B2	10/2011	Snyder et al.			
D671,899 S *	12/2012	Verhoeven	H02G 15/007	D13/156
D678,846 S *	3/2013	Luzzi	H01R 13/639	D13/156
8,444,433 B2	5/2013	Snyder et al.			
8,469,739 B2	6/2013	Rodrigues et al.			
8,517,763 B2	8/2013	Burris et al.			
8,556,654 B2	10/2013	Chastain et al.			
8,579,658 B2	11/2013	Youtsey			
8,753,137 B2	1/2014	Lu			
8,690,603 B2	4/2014	Bence et al.			
8,753,147 B2	6/2014	Montena			
8,840,429 B2	9/2014	Thomas et al.			
8,894,440 B2	11/2014	Rodrigues et al.			
8,944,846 B2	2/2015	Lee			
8,961,224 B2	2/2015	Grek et al.			
9,039,446 B2	5/2015	Youtsey			
9,071,019 B2	6/2015	Burris et al.			
9,083,113 B2	7/2015	Wild et al.			
D743,891 S *	11/2015	Shaw	D13/133	
9,257,780 B2	2/2016	Thomas et al.			
9,343,855 B2	5/2016	Wei			
9,590,345 B2 *	3/2017	Wollitzer	H01R 13/2421	
9,893,466 B2 *	2/2018	Wu	H01R 13/6275	
9,912,110 B2 *	3/2018	Edmonds	H01R 24/40	
D814,173 S *	4/2018	Ma	D3/10	
D821,988 S *	7/2018	Chang	D13/184	
2002/0164900 A1	11/2002	Youtsey			
2004/0048514 A1	3/2004	Kodaira			
2005/0148236 A1	7/2005	Montena			
2009/0053928 A9	2/2009	Entsfellner			
2010/0261380 A1	10/2010	Skeels et al.			
2010/0297875 A1	11/2010	Purdy et al.			
2012/0021642 A1	1/2012	Zraik			
2012/0270439 A1	10/2012	Tremba et al.			
2012/0329311 A1	12/2012	Duval et al.			
2013/0164975 A1	6/2013	Blake et al.			
2013/0330967 A1	12/2013	Youtsey			
2014/0051285 A1	2/2014	Raley et al.			
2014/0120757 A1	5/2014	Purdy et al.			
2014/0148051 A1	5/2014	Bence et al.			
2014/0342594 A1	11/2014	Montena			
2015/0024627 A1	1/2015	Wei			
2015/0050825 A1	2/2015	Krencseski et al.			
2015/0118901 A1	4/2015	Burris			
2015/0162675 A1	6/2015	Davidson, Jr. et al.			
2015/0180141 A1	6/2015	Wei			

* cited by examiner

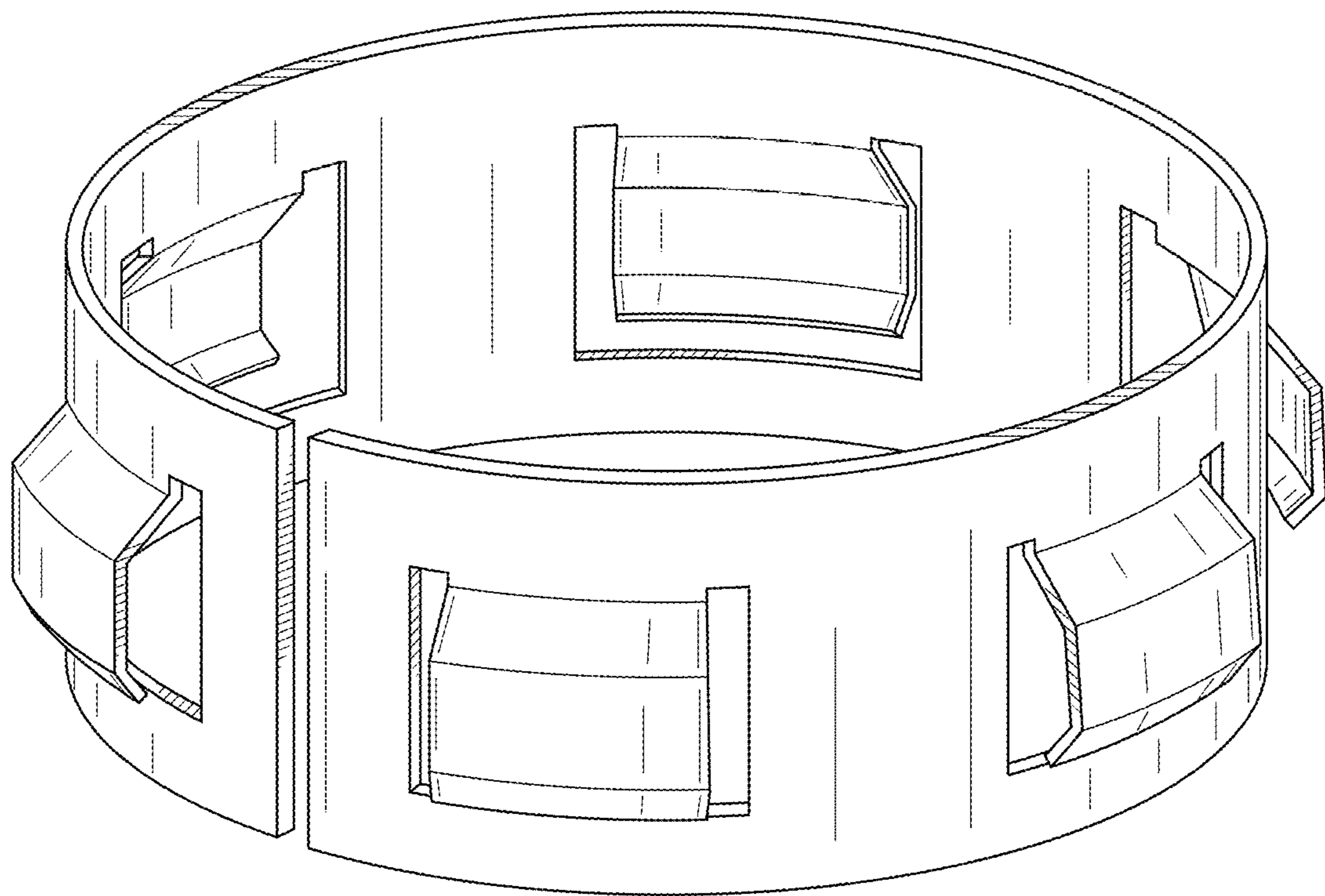


FIG. 1

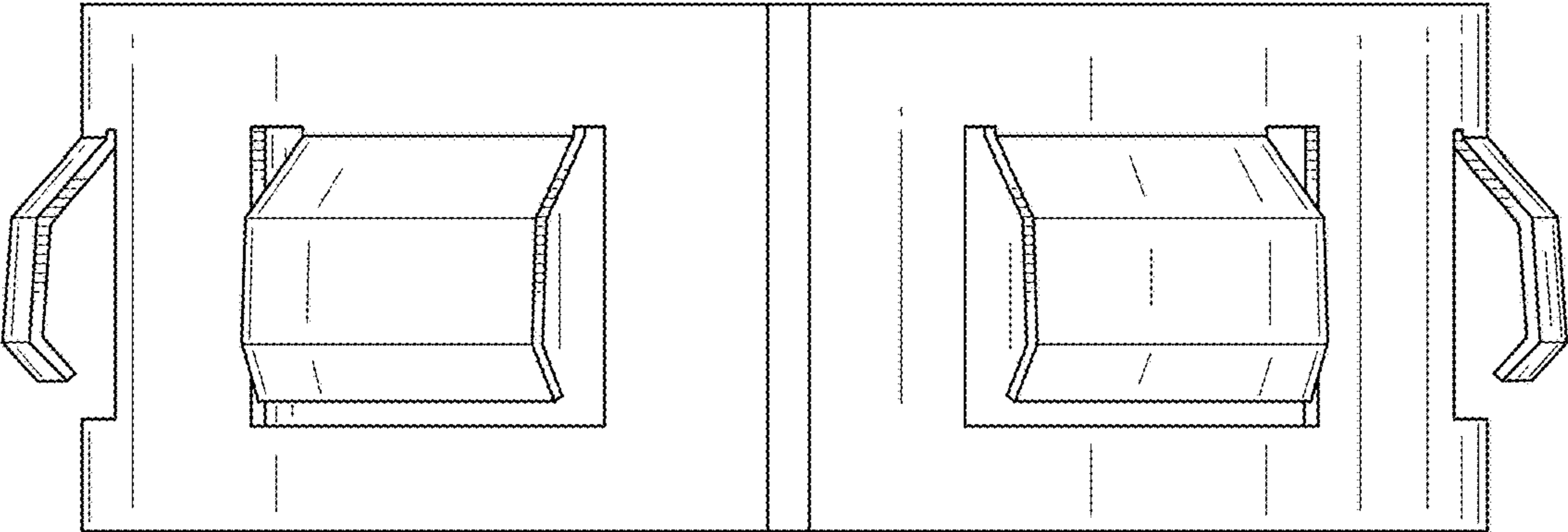


FIG. 2

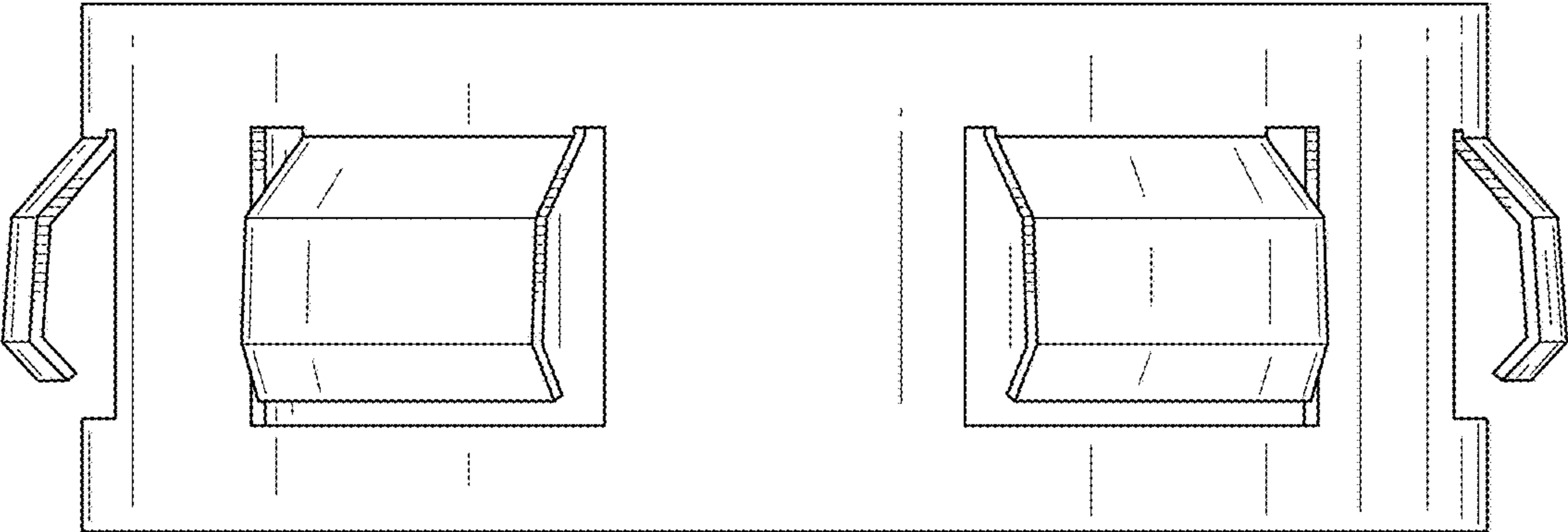


FIG. 3

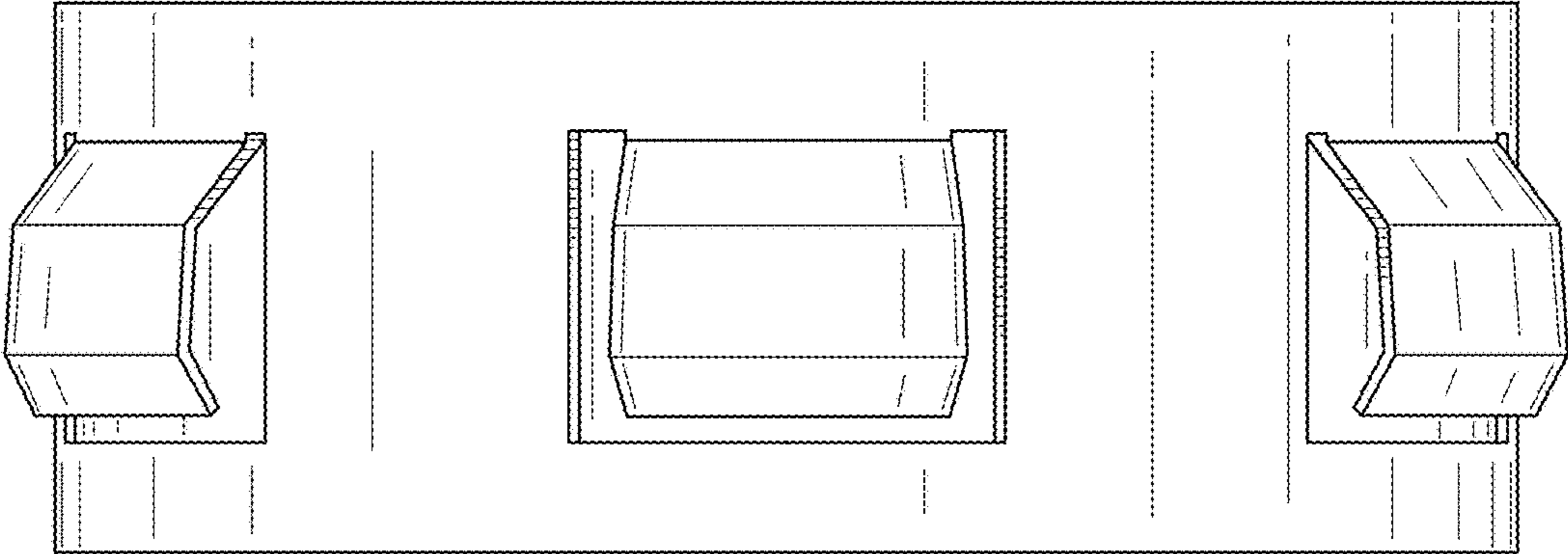


FIG. 4

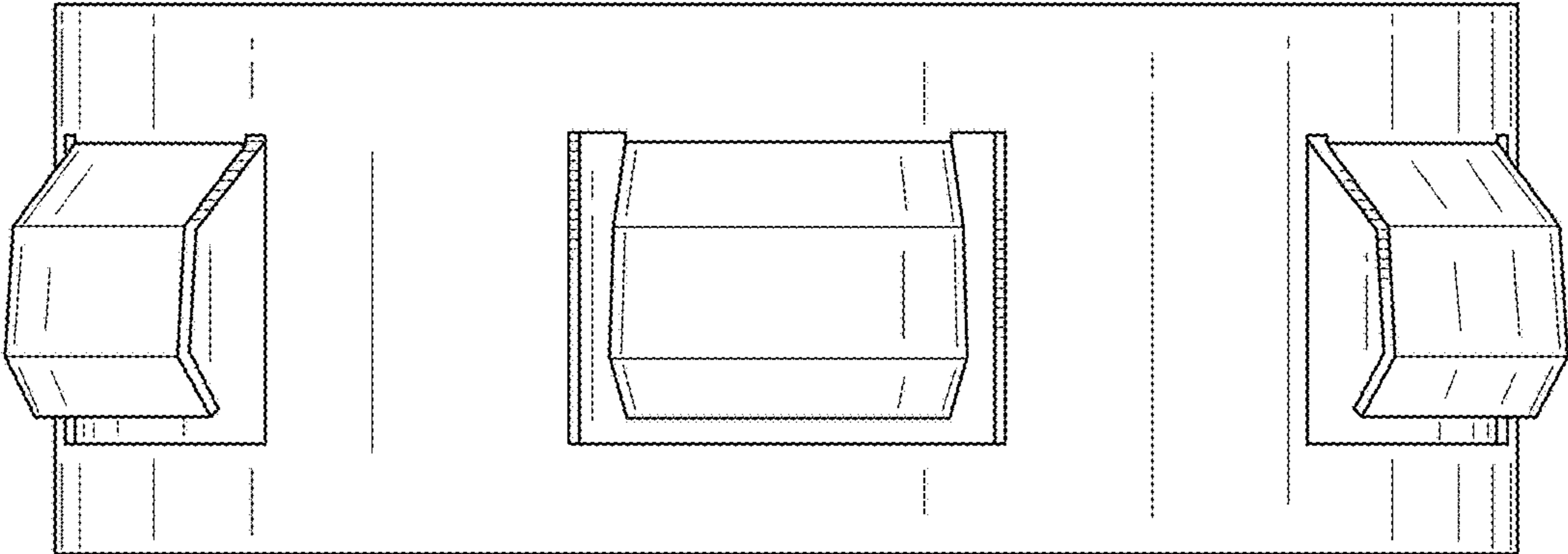


FIG. 5

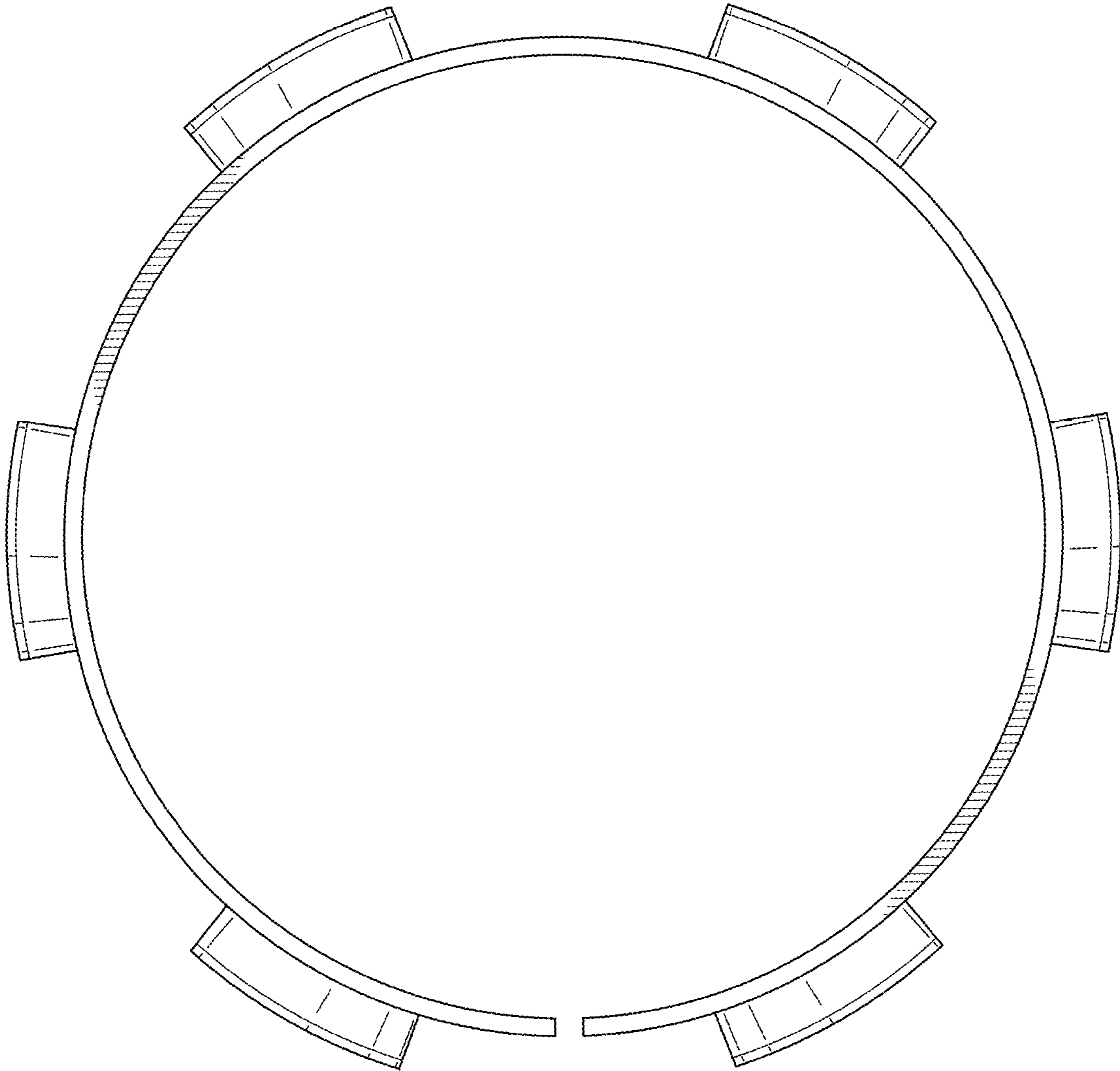


FIG. 6

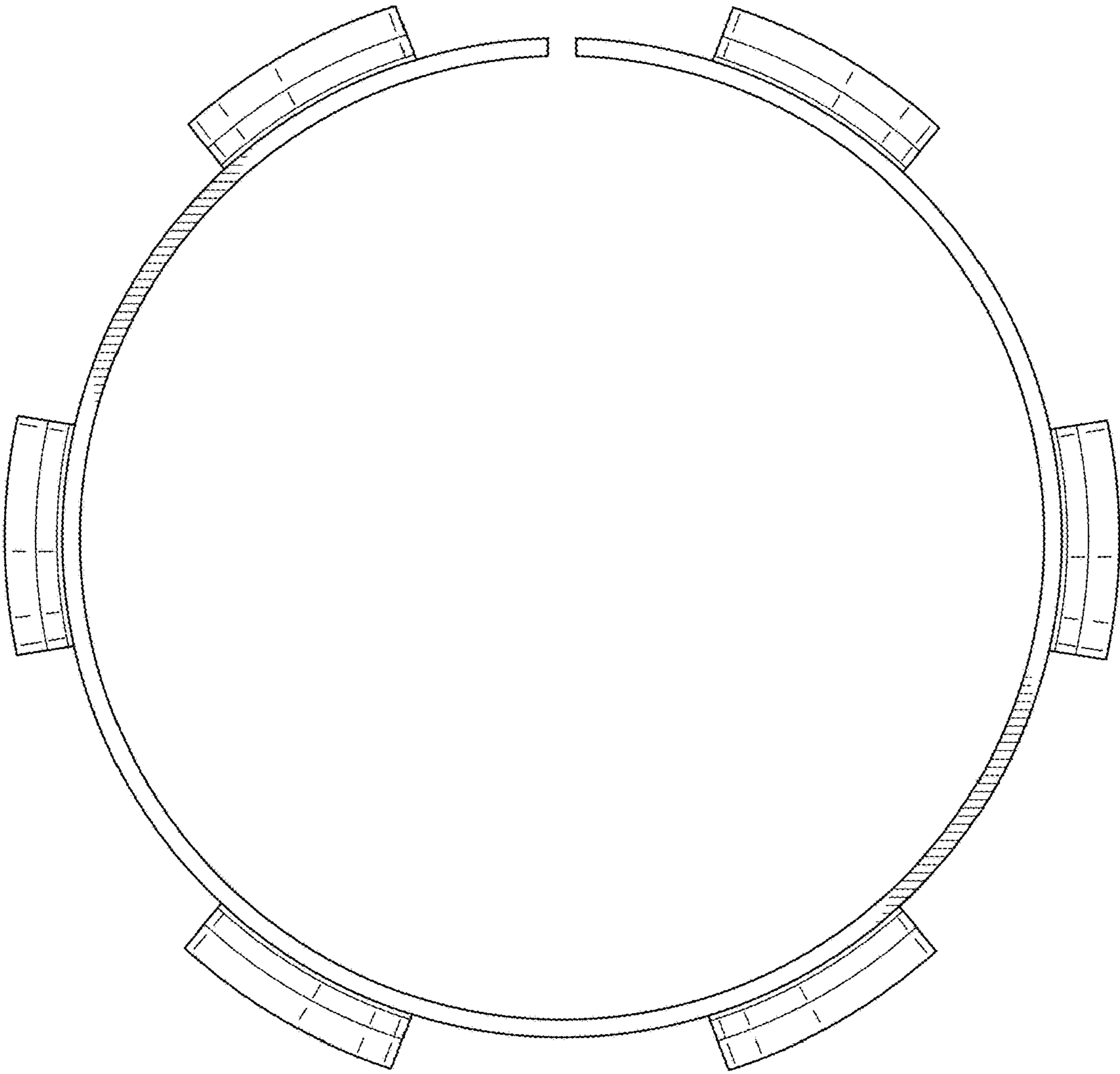


FIG. 7