



US00D833978S

(12) **United States Design Patent**
Smajda

(10) **Patent No.:** **US D833,978 S**

(45) **Date of Patent:** **** Nov. 20, 2018**

(54) **RAIL CAR POWER CONNECTOR**

(71) Applicant: **Westinghouse Air Brake Technologies Corporation**, Wilmerding, PA (US)

(72) Inventor: **Kenneth J. Smajda**, Elkridge, MD (US)

(73) Assignee: **Westinghouse Air Brake Technologies Corporation**, Wilmerding, PA (US)

(**) Term: **15 Years**

(21) Appl. No.: **29/562,121**

(22) Filed: **Apr. 22, 2016**

(51) **LOC (11) Cl.** **13-03**

(52) **U.S. Cl.**
USPC **D13/154; D13/133**

(58) **Field of Classification Search**
USPC D13/123, 133, 146, 147, 154, 184, 199
CPC H01R 13/516; H01R 13/5219; H01R 13/623; H01R 13/625; H01R 13/6278; H01R 24/84; B61G 5/10
See application file for complete search history.

(56) **References Cited**

U.S. PATENT DOCUMENTS

2,933,711 A	4/1960	Eaton	
3,271,726 A	9/1966	Pfendler	
3,680,033 A	7/1972	Kawai	
3,971,614 A	7/1976	Paoli et al.	
D243,407 S *	2/1977	Mooney	D13/149
4,457,572 A	7/1984	Frazier et al.	
4,472,013 A	9/1984	Frear	
4,497,530 A	2/1985	Shannon	
4,595,251 A	6/1986	Moulin	
4,629,272 A	12/1986	Mattingly et al.	
4,639,064 A	1/1987	Knapp et al.	
5,082,454 A	1/1992	Tonkiss et al.	
5,131,862 A	7/1992	Gershfeld	

5,192,219 A	3/1993	Fowler et al.	
D336,070 S *	6/1993	Clark	D13/133
5,658,159 A	8/1997	Gardner et al.	
D406,816 S *	3/1999	Hopper	D13/146
6,173,849 B1	1/2001	Stevens et al.	
6,602,093 B1	8/2003	Cannon	
6,669,506 B2	12/2003	Newton	
6,808,407 B1	10/2004	Cannon	
6,848,931 B2	2/2005	McMullen et al.	
6,908,118 B2	6/2005	Fumioka	
7,097,490 B2	8/2006	Eaton et al.	
D580,876 S *	11/2008	Farahani	D13/146
7,587,244 B2	9/2009	Olbertz	
7,748,986 B1	7/2010	Pamapy et al.	
D633,872 S *	3/2011	Shen	D13/155

(Continued)

FOREIGN PATENT DOCUMENTS

EP	1050931 A1	11/2000
KR	1020140062930 A	5/2014

Primary Examiner — Daniel D Bui

(74) *Attorney, Agent, or Firm* — The Webb Law Firm

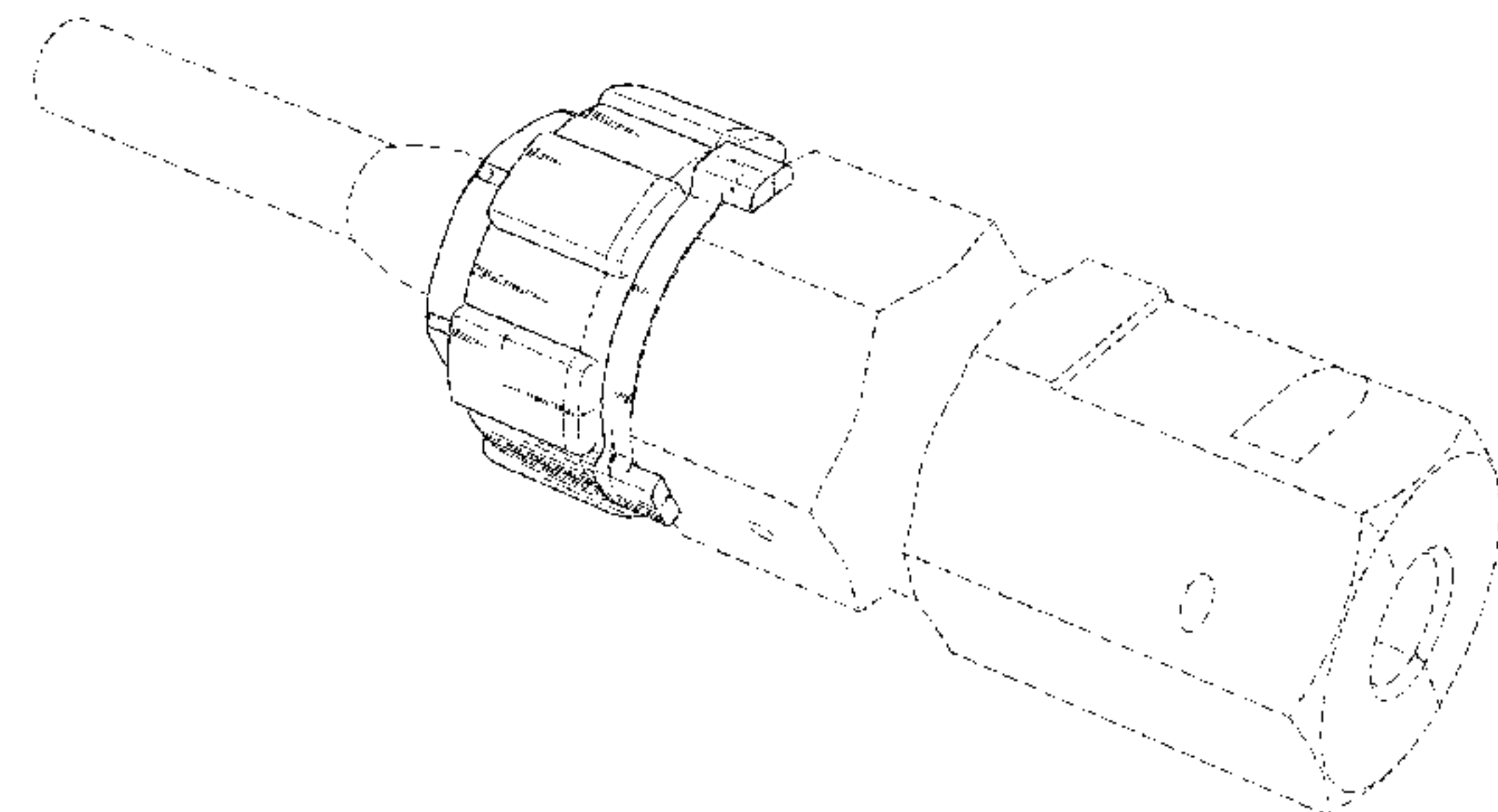
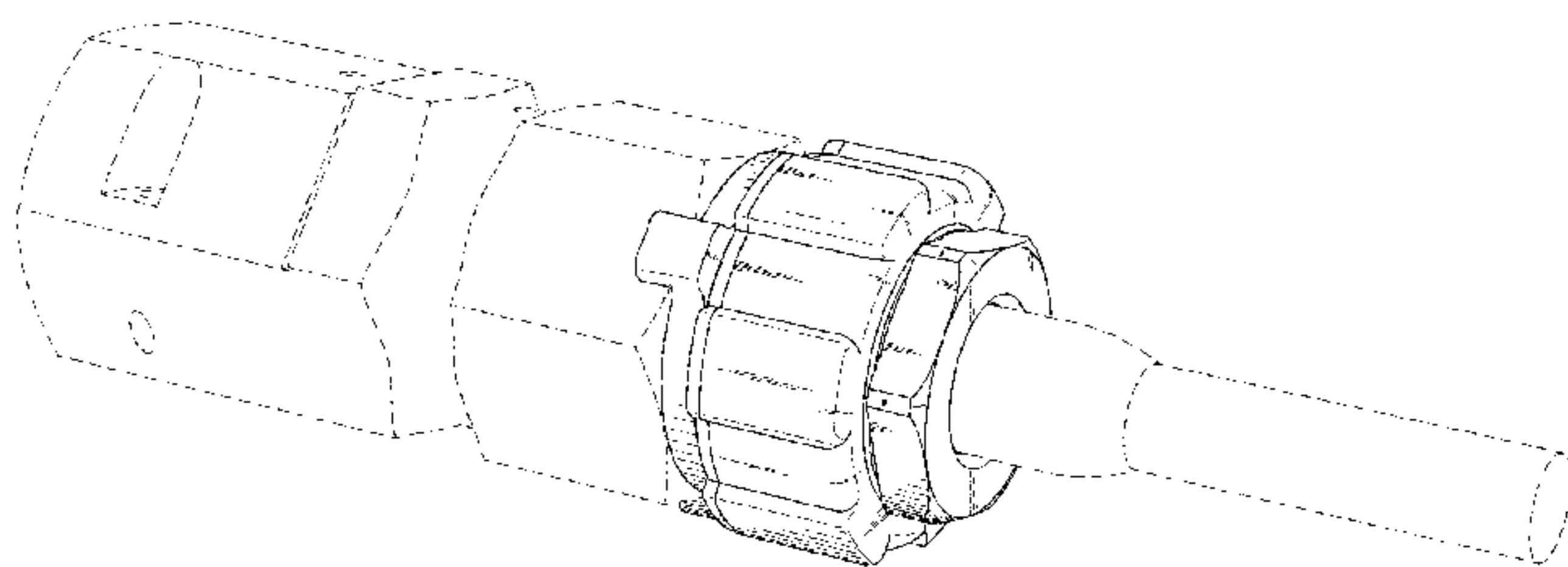
(57) **CLAIM**

The ornamental design for a rail car power connector, as shown and described.

DESCRIPTION

FIG. 1 is a rear perspective view of a rail car power connector showing my new design;
FIG. 2 is a front perspective view thereof;
FIG. 3 is a front view thereof;
FIG. 4 is a rear view thereof;
FIG. 5 is a top view thereof;
FIG. 6 is a bottom view thereof;
FIG. 7 is a right view thereof; and,
FIG. 8 is a left view thereof.
In the drawing views, the broken line represents unclaimed environment only and forms no part of the claimed design.

1 Claim, 5 Drawing Sheets



(56)

References Cited

U.S. PATENT DOCUMENTS

9,093,783	B2	7/2015	Grimm	
9,099,807	B2	8/2015	Opgenorth	
9,136,658	B2	9/2015	Chang et al.	
D749,047	S *	2/2016	Smith	D13/149
D754,073	S *	4/2016	Katagiyama	D13/133
9,412,530	B2	8/2016	Kirita	
9,437,961	B1	9/2016	Smajda	
9,437,965	B2	9/2016	Zitsch et al.	
D769,822	S *	10/2016	Reynolds	D13/146
D781,787	S *	3/2017	Spiel	D13/149
D782,982	S *	4/2017	Katagiyama	D13/156
D794,573	S *	8/2017	Tateishi	D13/147
2004/0014350	A1	1/2004	McMullen et al.	
2006/0063396	A1	3/2006	Bankstahl	
2009/0269958	A1	10/2009	Fujiwara et al.	
2010/0173504	A1	7/2010	Pamapy et al.	
2010/0297875	A1	11/2010	Purdy et al.	
2011/0294329	A1	12/2011	Sasaki	
2012/0252256	A1	10/2012	Zhu et al.	
2013/0221166	A1	8/2013	Henniges et al.	
2014/0050443	A1	2/2014	Lee	
2014/0302724	A1	10/2014	Ono	
2015/0050827	A1	2/2015	Chang et al.	
2015/0110447	A1	4/2015	Elenbaas et al.	
2017/0310044	A1 *	10/2017	Smajda	H01R 13/6278

* cited by examiner

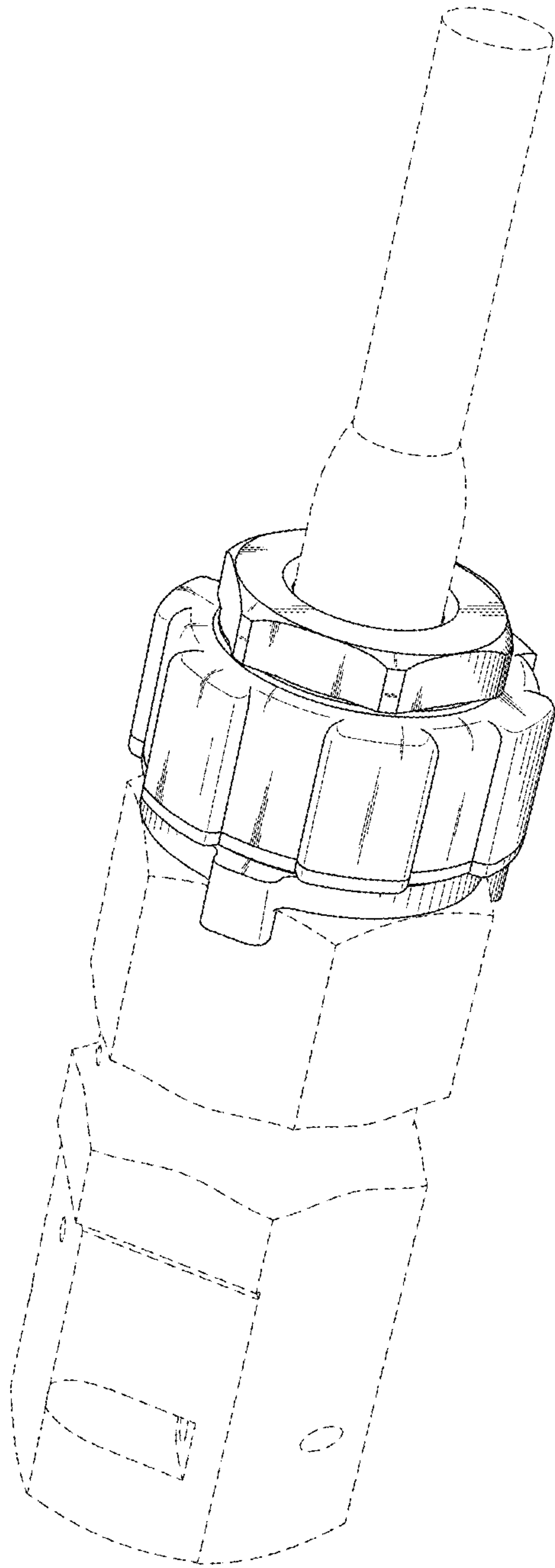


FIG. 1

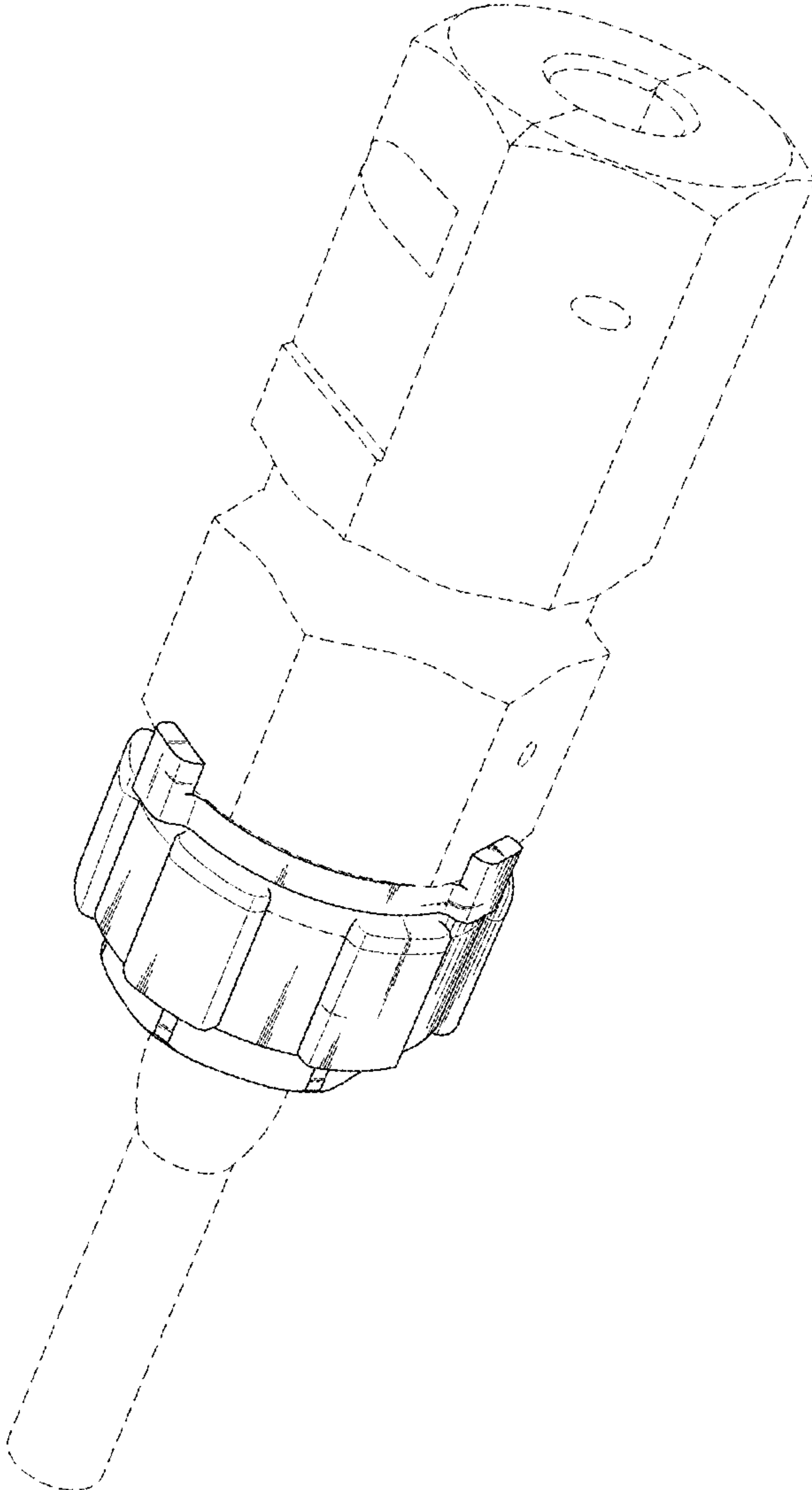


FIG. 2

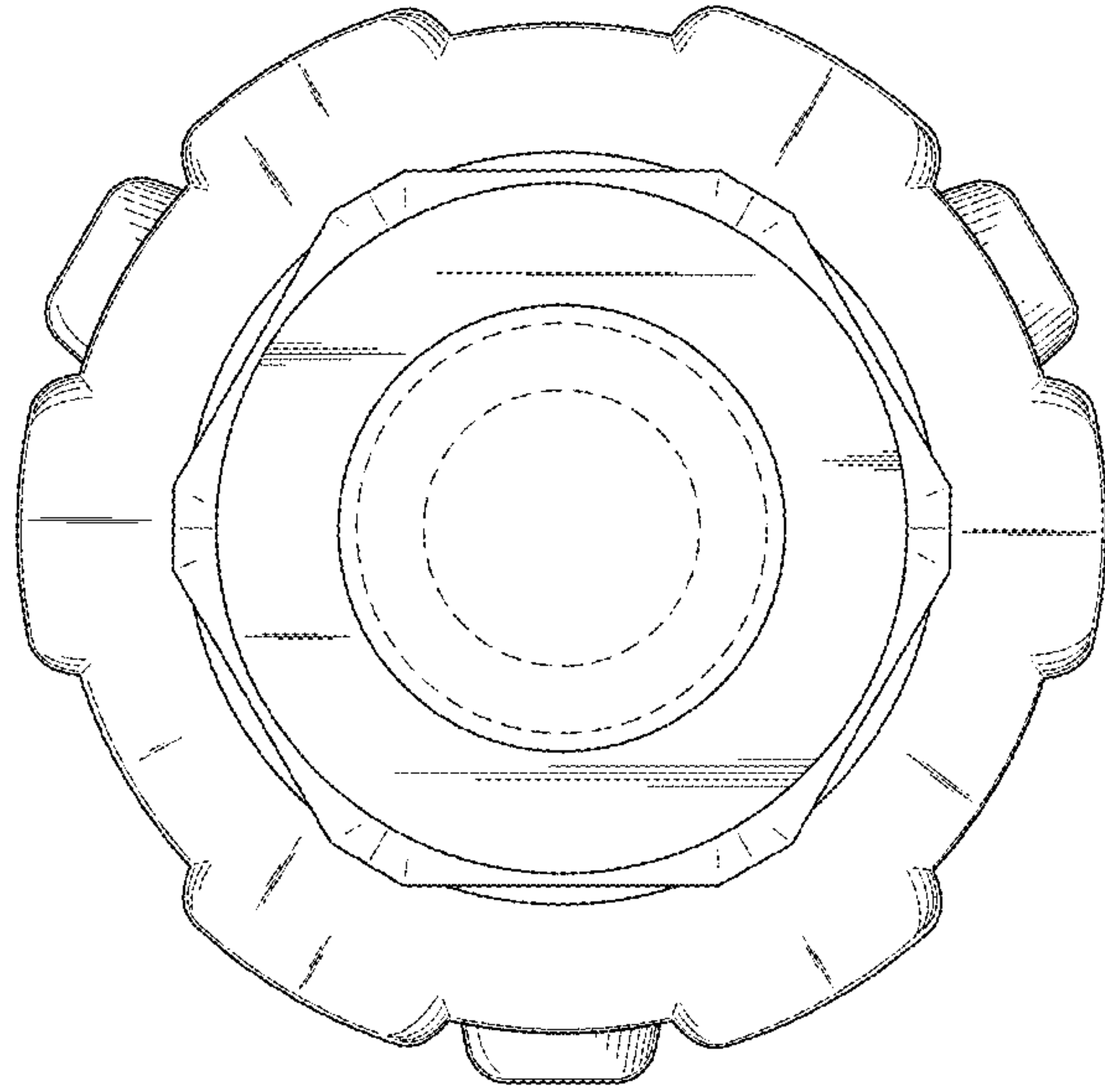


FIG. 4

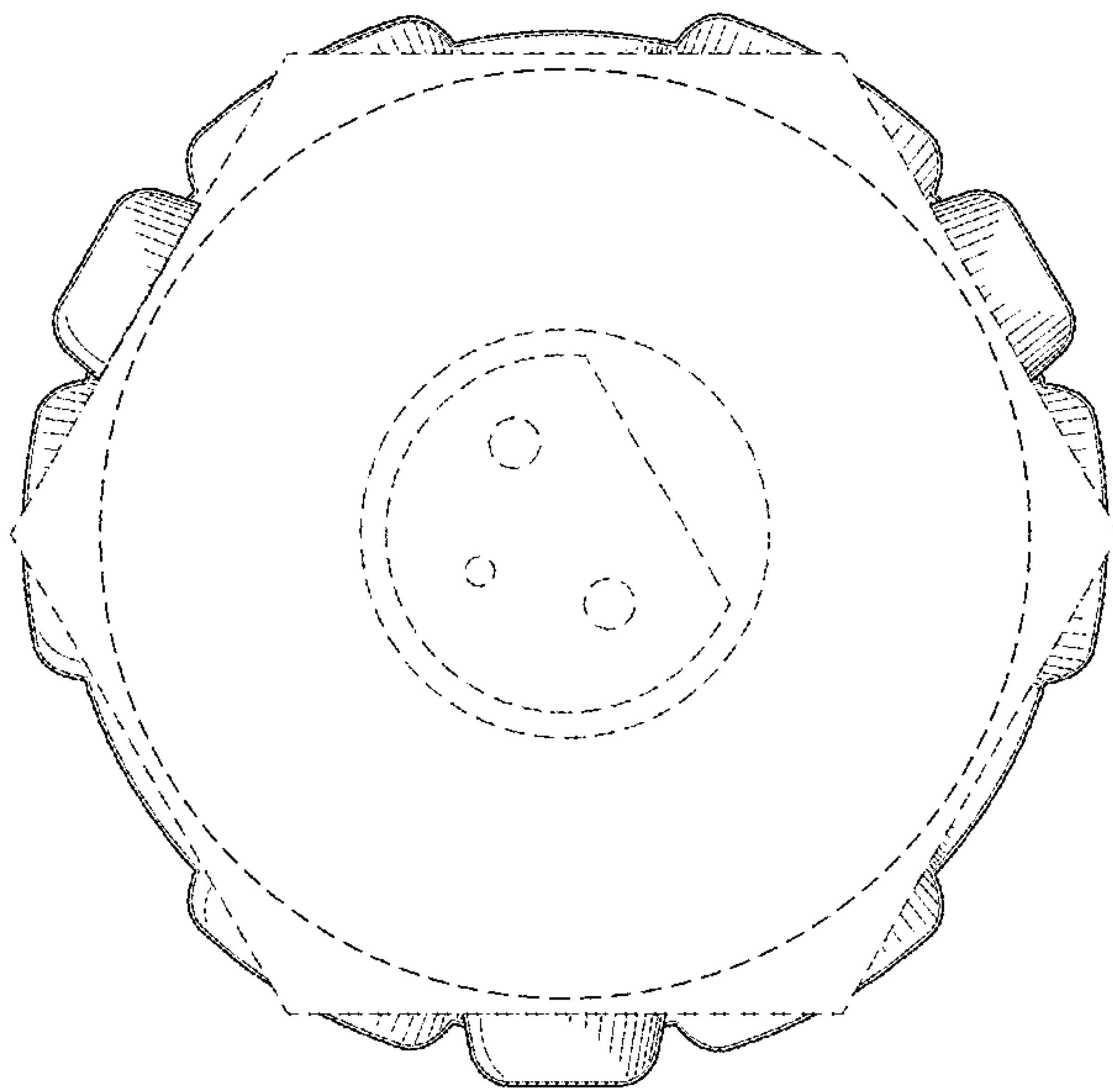


FIG. 3

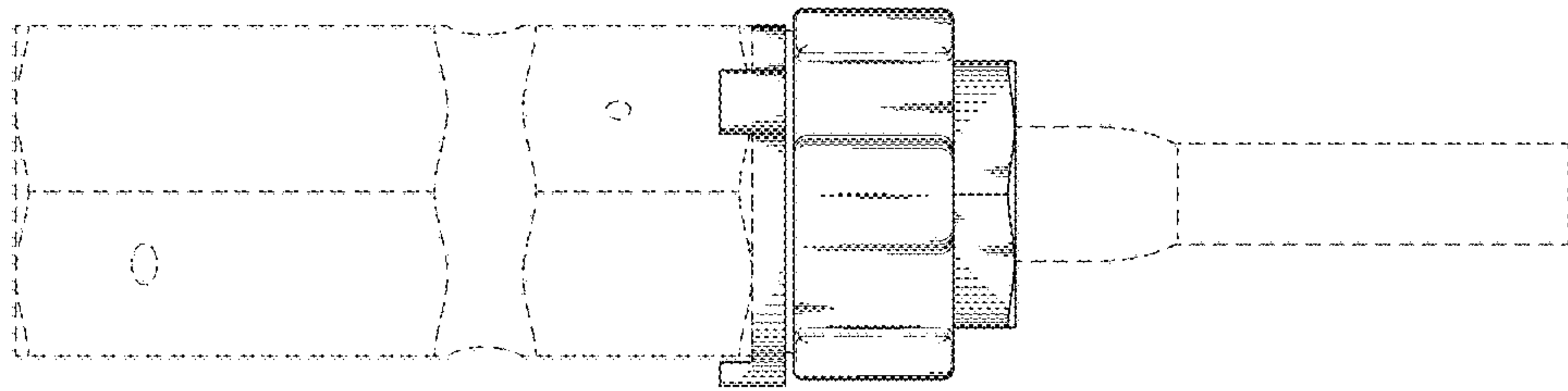


FIG. 6

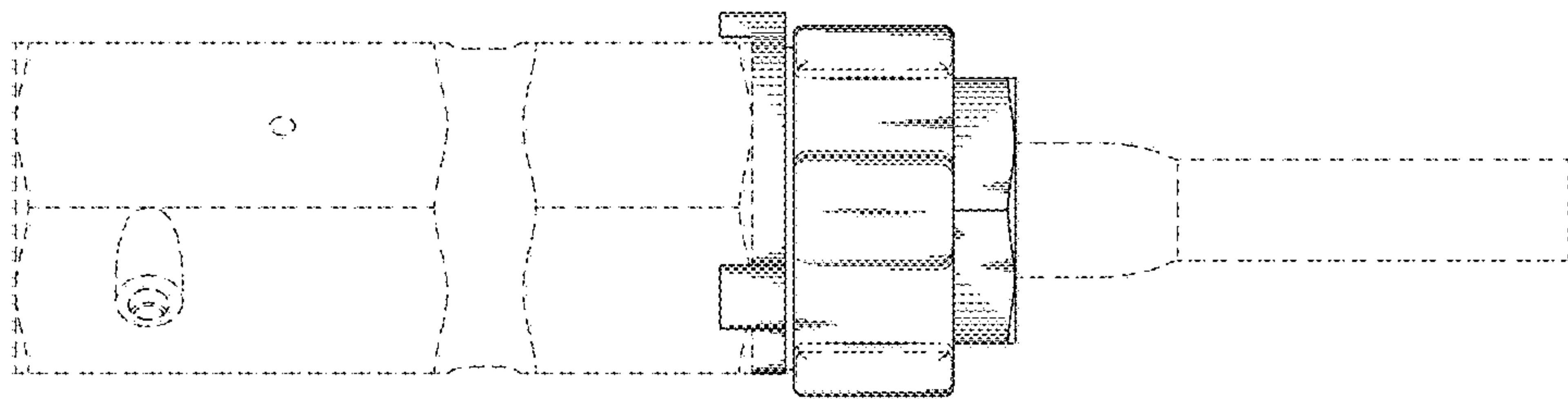


FIG. 5

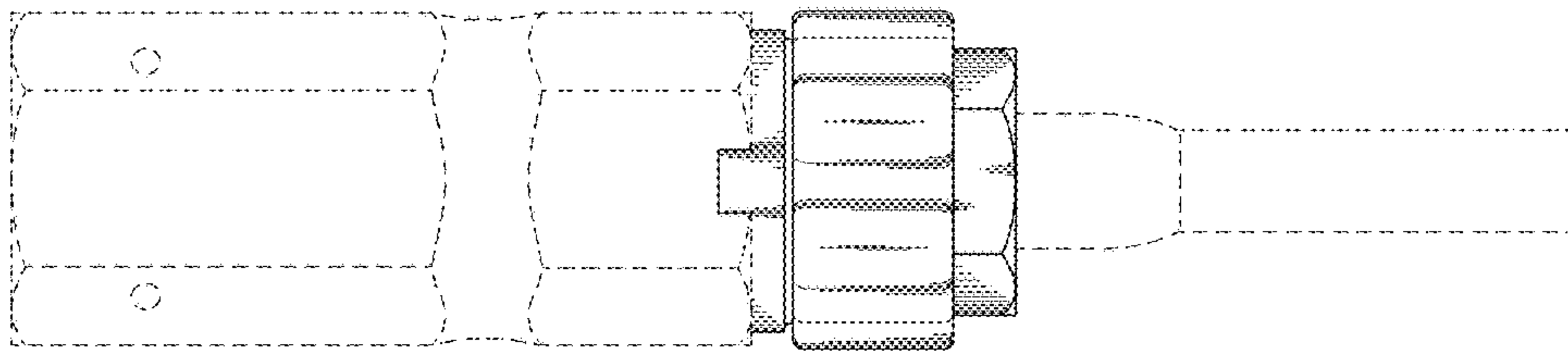


FIG. 8

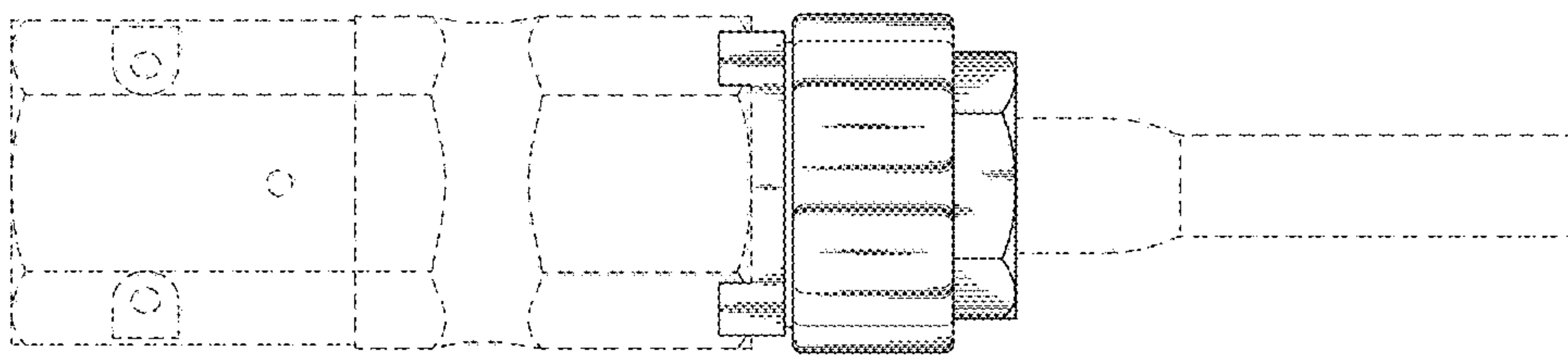


FIG. 7