



US00D833976S

(12) **United States Design Patent**
Wu et al.

(10) **Patent No.:** **US D833,976 S**

(45) **Date of Patent:** **** Nov. 20, 2018**

(54) **WIRE CONNECTION TERMINAL BLOCK**

(71) Applicants: **SWITCHLAB INC.**, New Taipei (TW); **SWITCHLAB (SHANGHAI) CO., LTD.**, Shanghai (CN)

(72) Inventors: **Chih-Yuan Wu**, New Taipei (TW); **Wei-Chi Chen**, New Taipei (TW); **Chia-Yi Chiang**, New Taipei (TW)

(73) Assignees: **Switchlab Inc.**, New Taipei (TW); **Switchlab (Shanghai) Co., Ltd.**, Shanghai (CN)

(**) Term: **15 Years**

(21) Appl. No.: **29/593,355**

(22) Filed: **Feb. 8, 2017**

(30) **Foreign Application Priority Data**

Aug. 29, 2016 (TW) 105305001

(51) **LOC (11) Cl.** **13-03**

(52) **U.S. Cl.**
USPC **D13/147**

(58) **Field of Classification Search**
USPC D13/133, 146, 147, 148, 154, 155, 158, D13/173, 182, 184, 199
CPC . H01R 4/183; H01R 4/48; H01R 4/50; H01R 4/60; H01R 13/02; H01R 13/11; H01R 13/213; H01R 13/26; H01R 13/42; H01R 13/47; H01R 13/4534; H01R 13/506; H01R 13/5816; H01R 13/582; H01R 13/625; H01R 13/642; H01R 13/648

See application file for complete search history.

(56) **References Cited**

U.S. PATENT DOCUMENTS

D470,113 S *	2/2003	Brower	D13/154
D627,726 S *	11/2010	Chaillet	D13/133
D729,742 S *	5/2015	Wu	D13/149
D774,461 S *	12/2016	Petricek	D13/147
2017/0365939 A1 *	12/2017	Wu	H01R 4/58

* cited by examiner

Primary Examiner — Daniel Bui

(74) *Attorney, Agent, or Firm* — Rosenberg, Klein & Lee

(57) **CLAIM**

The ornamental design for a wire connection terminal block, shown and described.

DESCRIPTION

FIG. 1 is a front, top, and left side perspective view of a wire connection terminal block showing our new design;

FIG. 2 is a front, bottom, and left side perspective view thereof;

FIG. 3 is a front elevational view thereof;

FIG. 4 is a rear elevational view thereof;

FIG. 5 is a left side elevational view thereof;

FIG. 6 is a right side elevational view thereof;

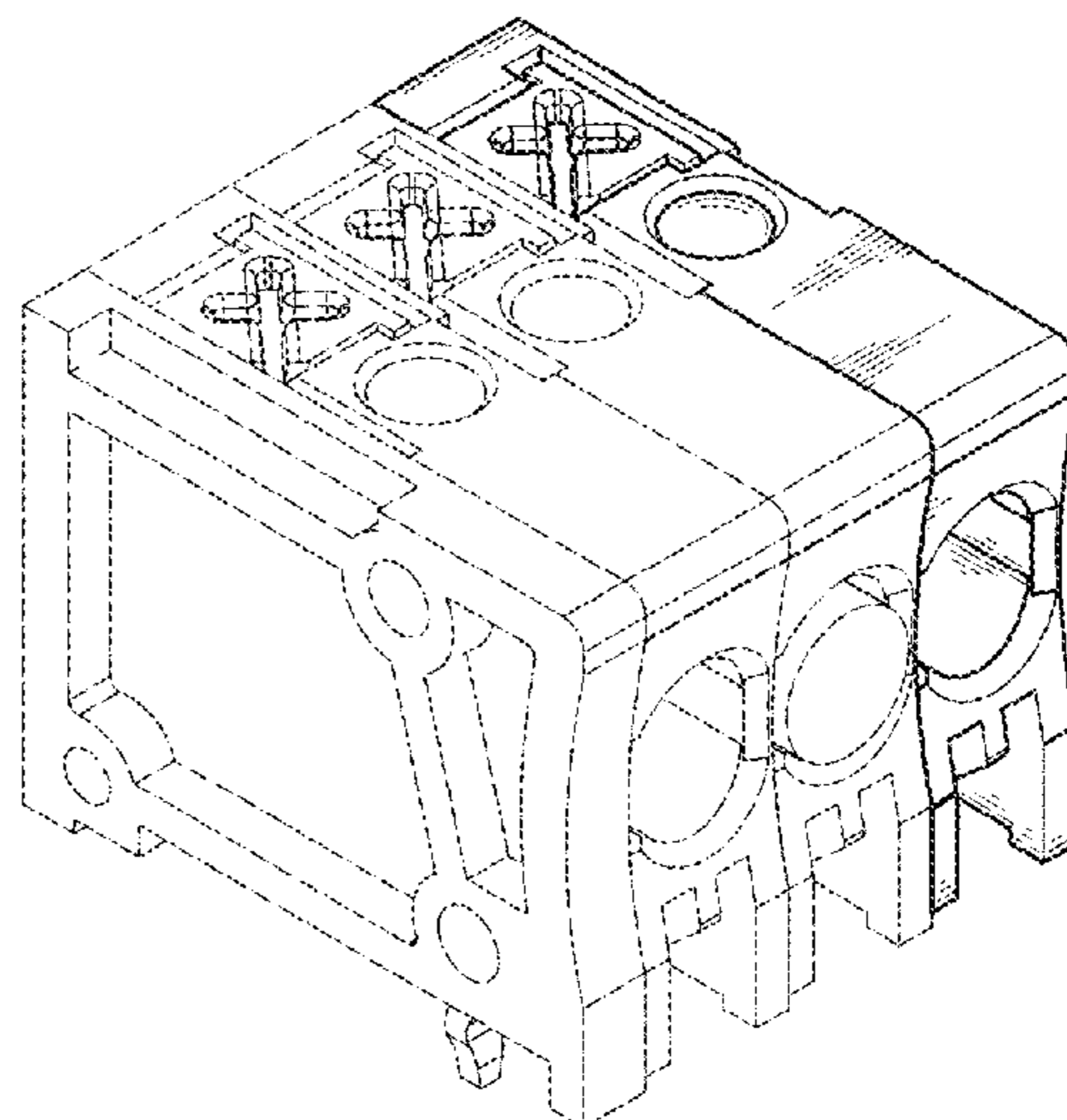
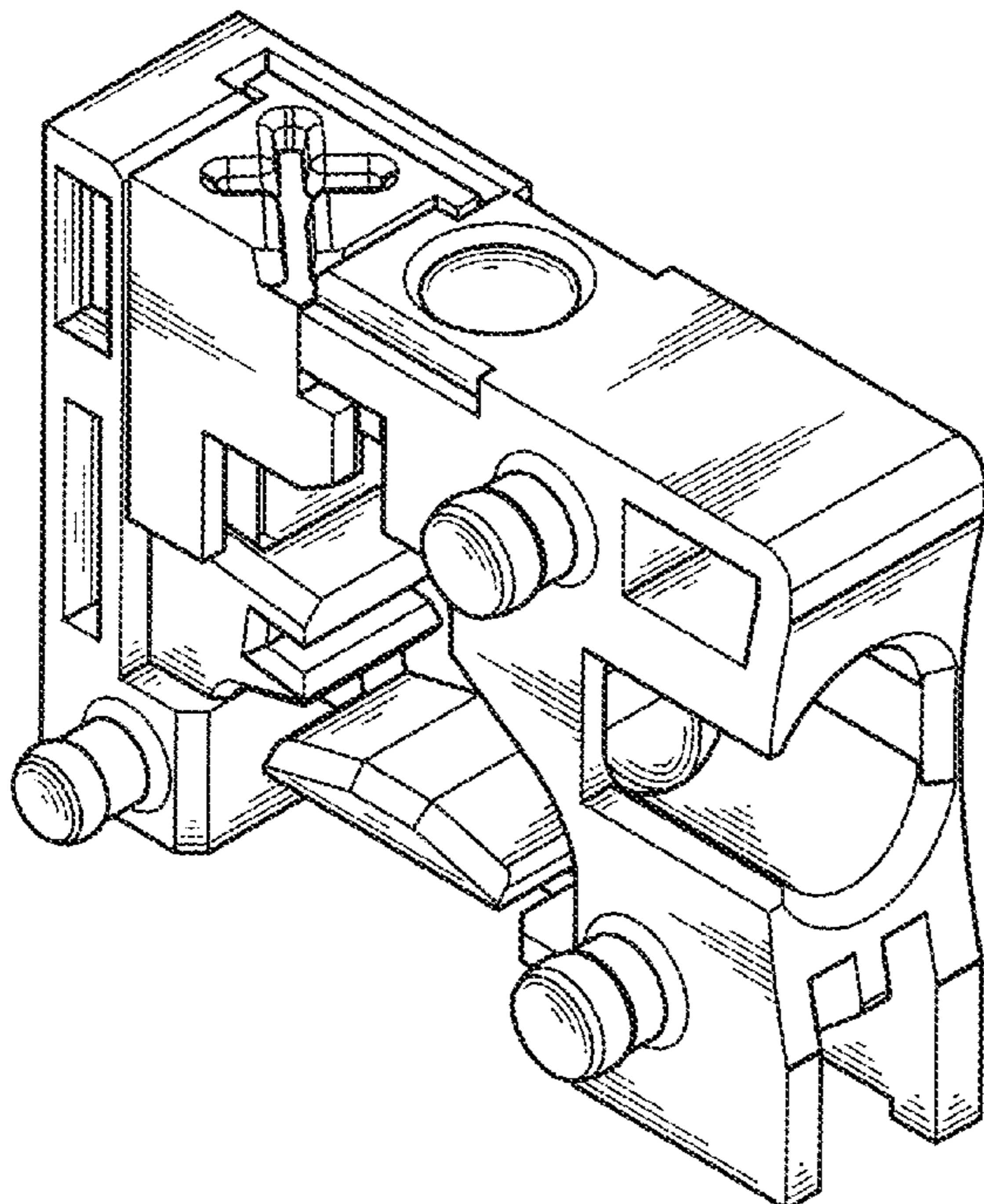
FIG. 7 is a top plan view thereof;

FIG. 8 is a bottom plan view thereof; and,

FIG. 9 is a front, top, and left side perspective view thereof, in use condition.

The broken lines shown in FIG. 9 are for the purpose of illustrating unclaimed environment only and form no part of the claimed design.

1 Claim, 9 Drawing Sheets



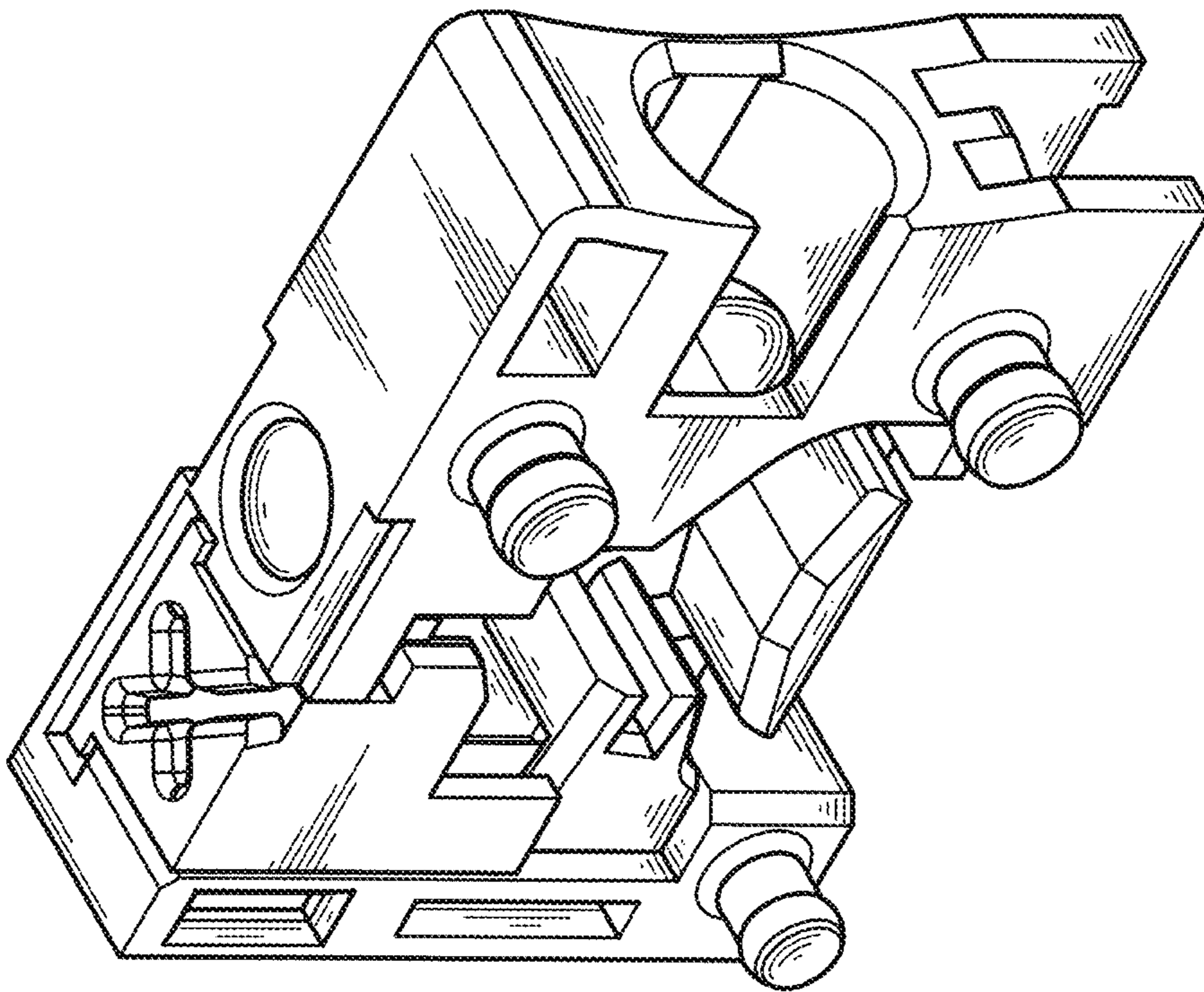


Fig. 1

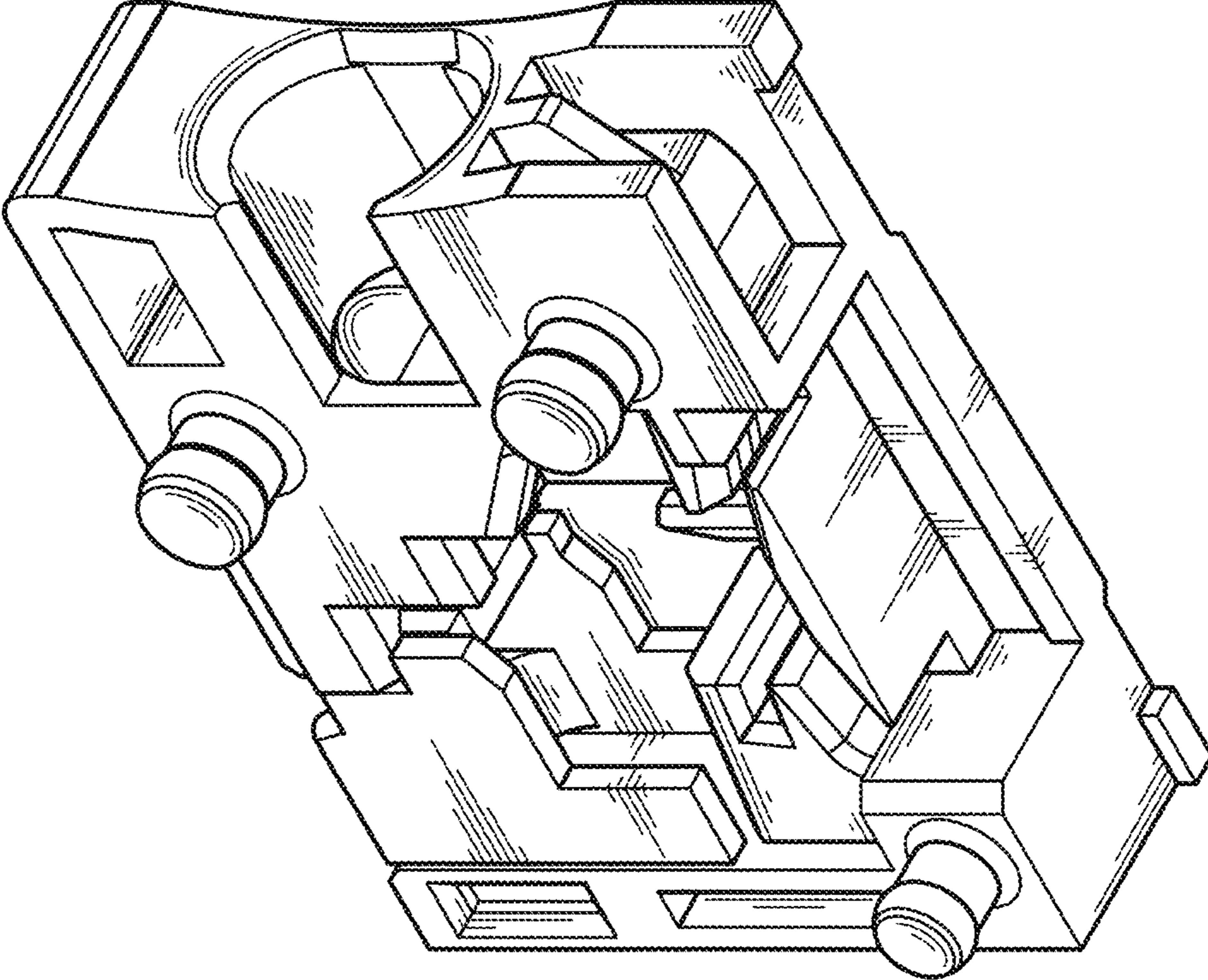


Fig. 2

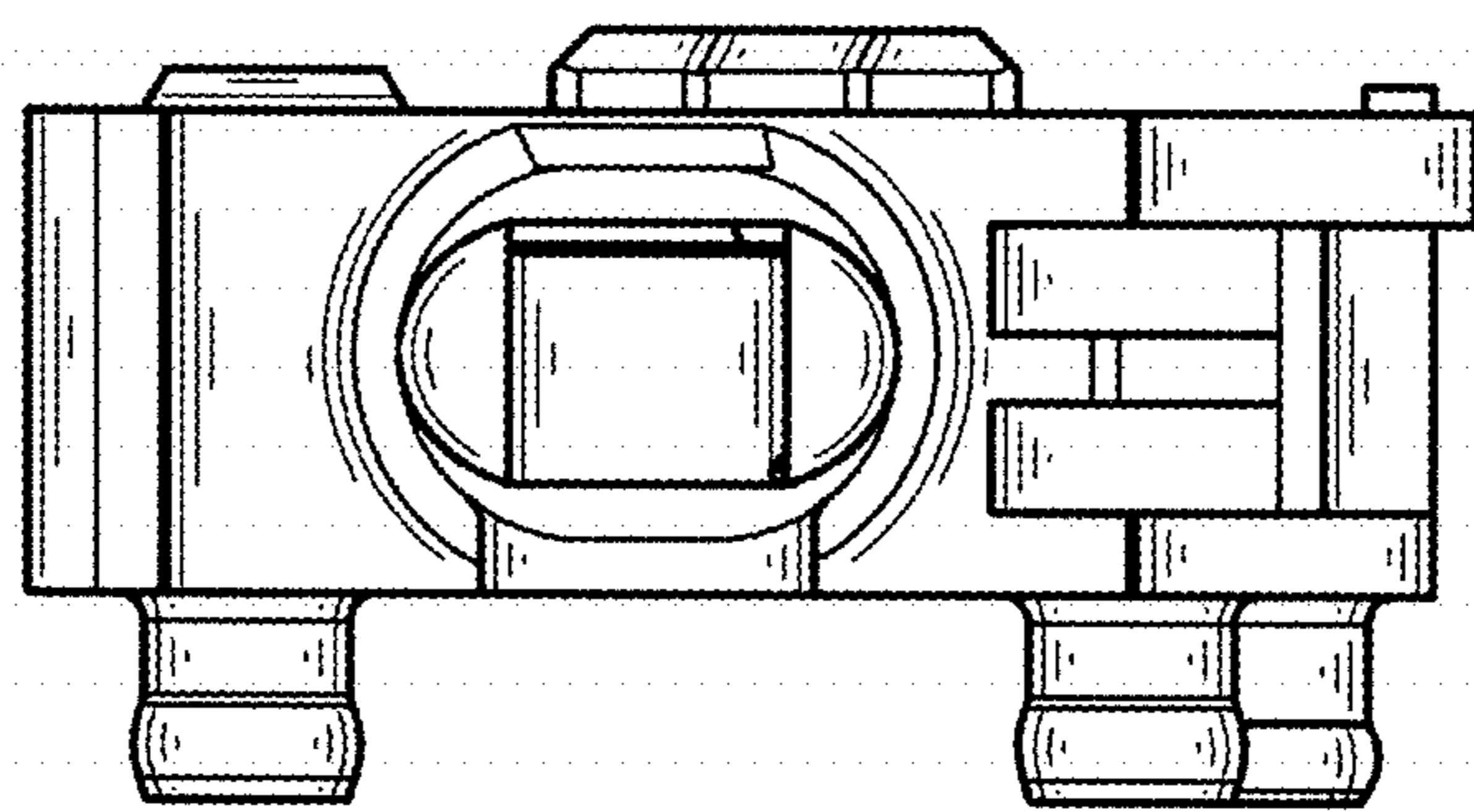


Fig. 3

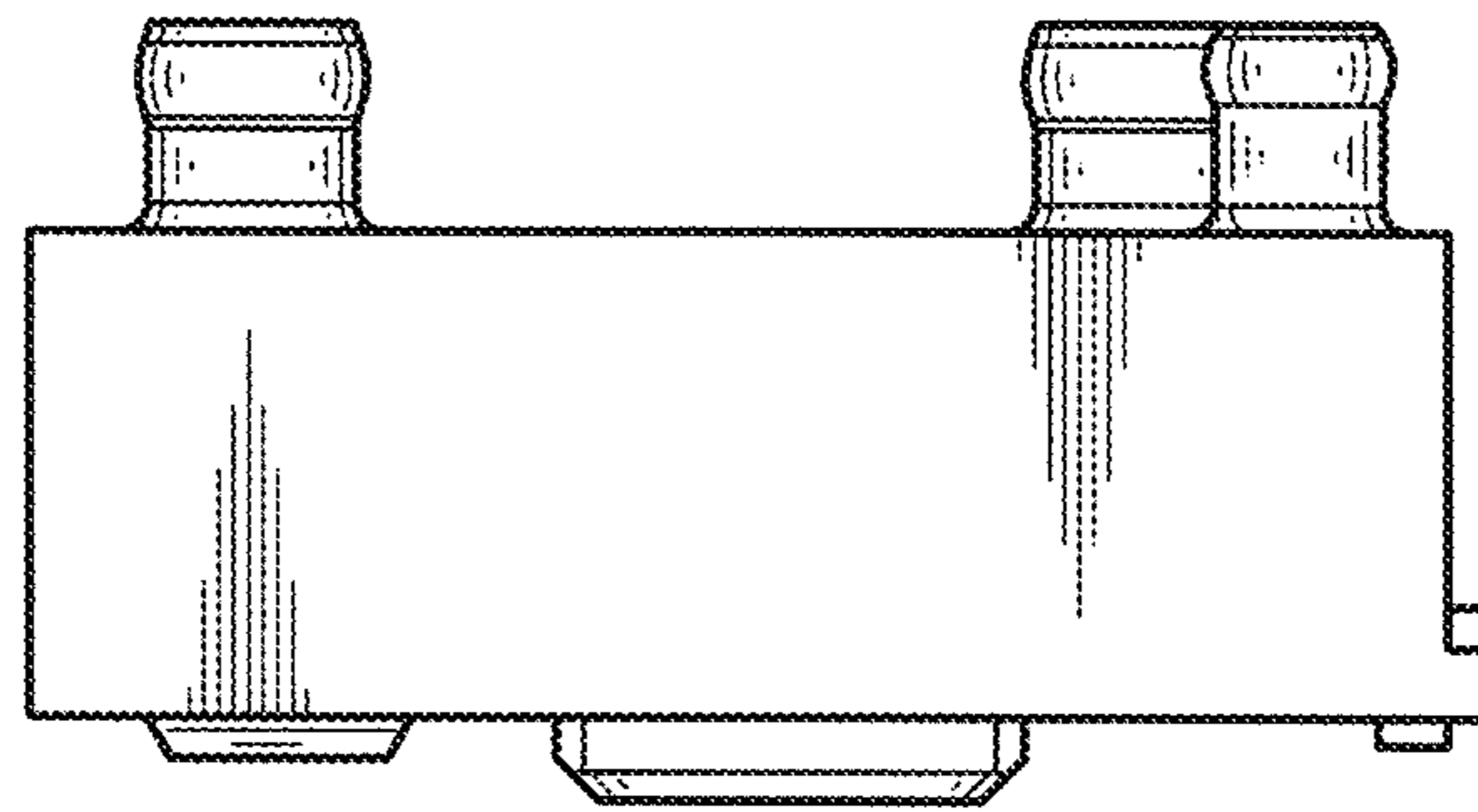


Fig. 4

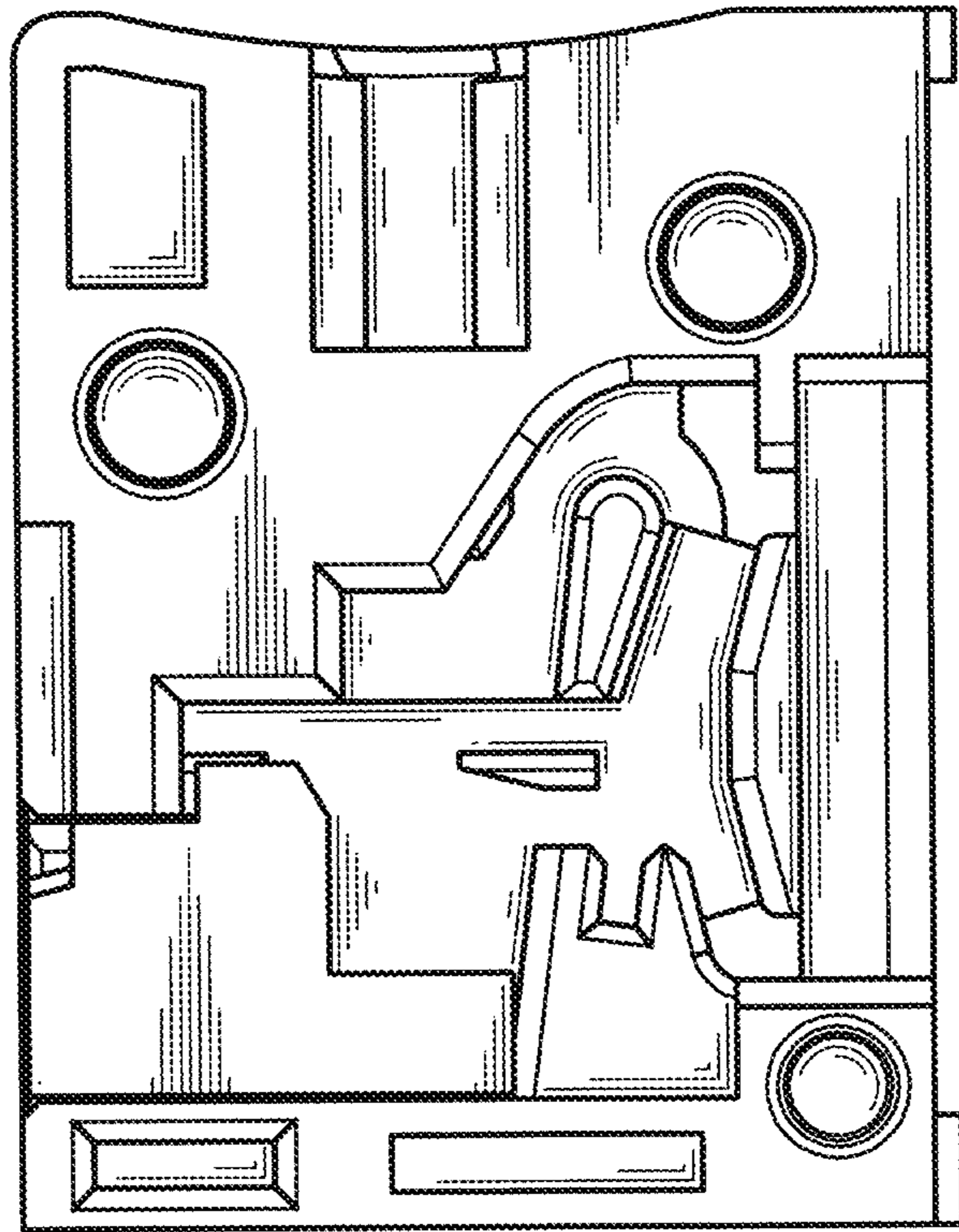


Fig. 5

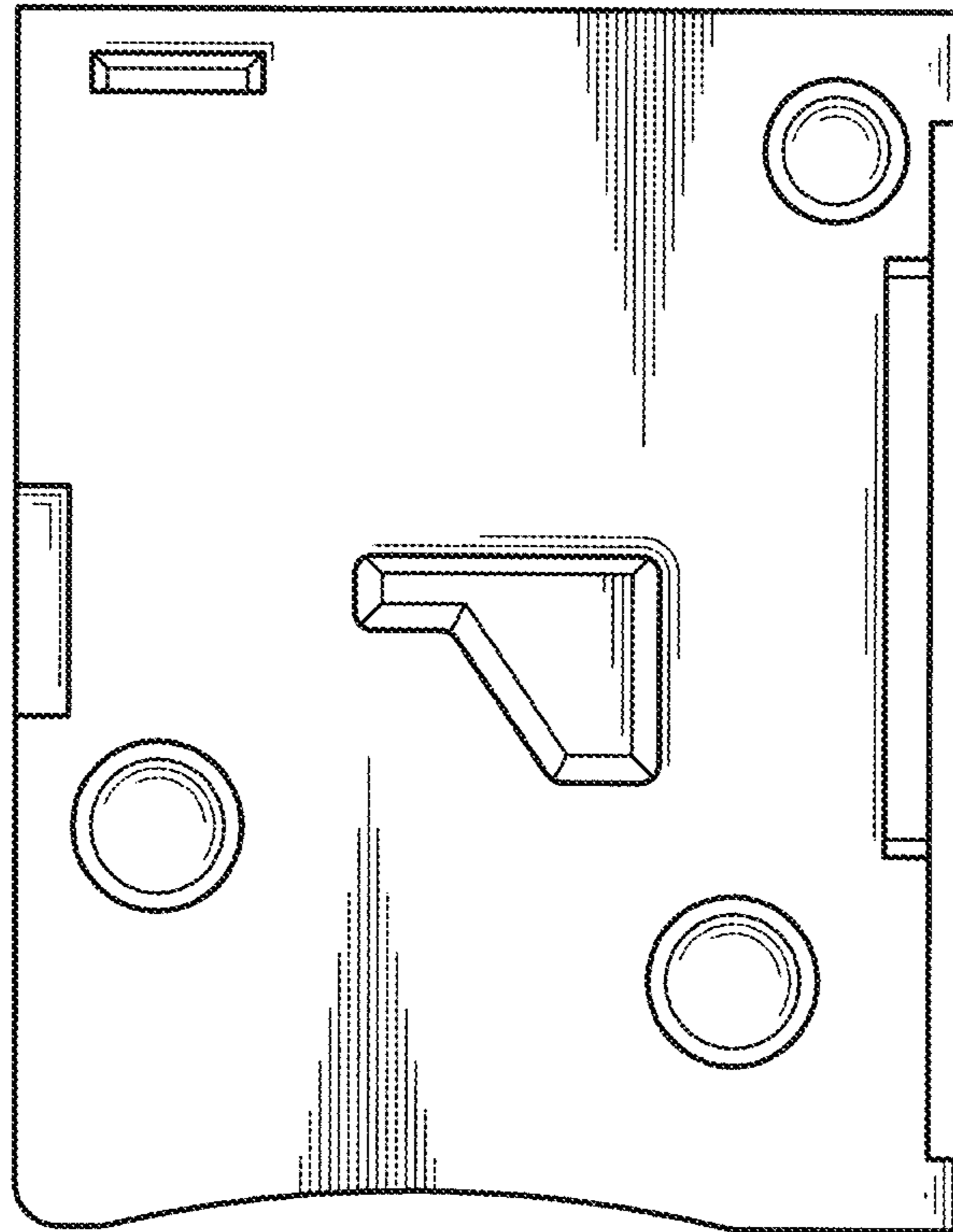


Fig. 6

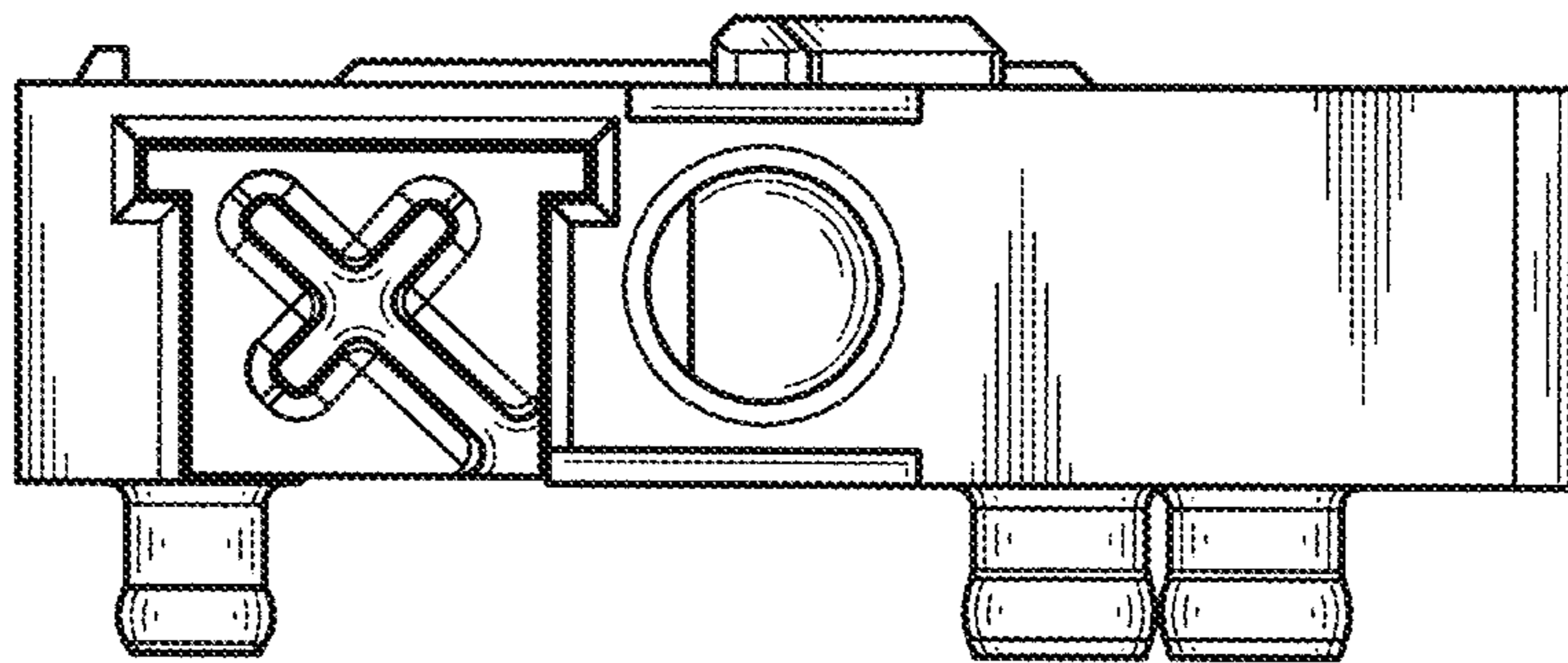


Fig. 7

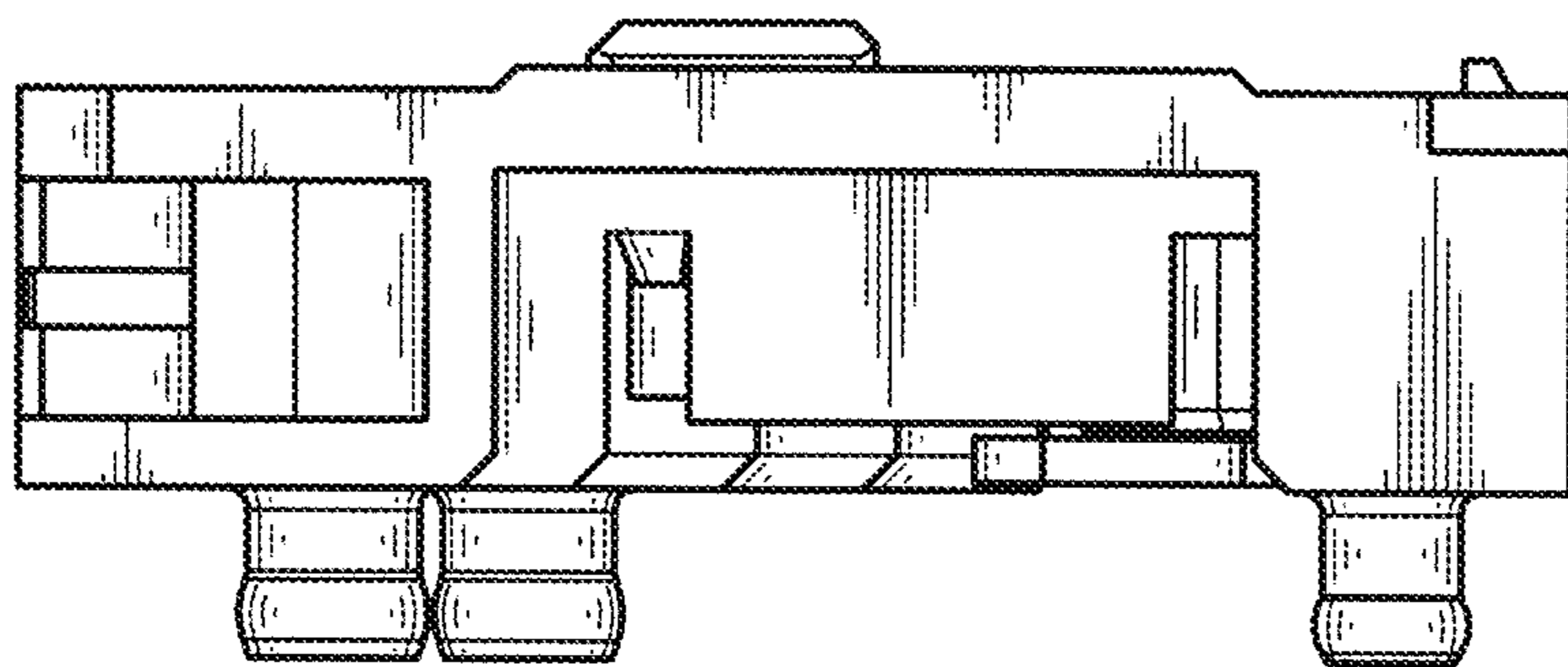


Fig. 8

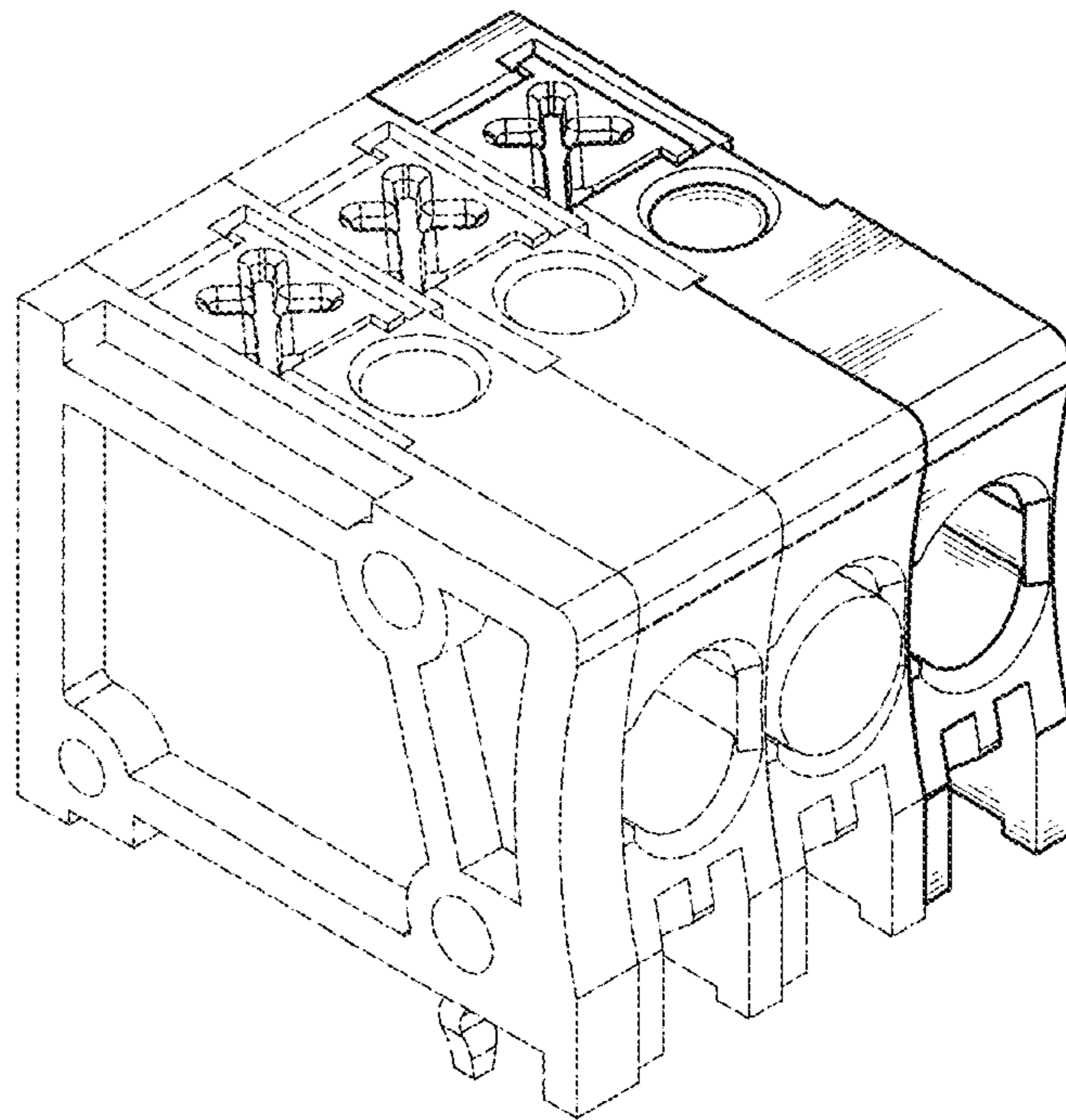


Fig. 9