



US00D833975S

(12) **United States Design Patent** (10) **Patent No.:** **US D833,975 S**
Miller et al. (45) **Date of Patent:** **** Nov. 20, 2018**

- (54) **PORTABLE BATTERY CHARGER WITH SAFETY FEATURES FOR USE IN AN AUTOMOBILE**
- (71) Applicant: **Halo2Cloud LLC**, Hartford, CT (US)
- (72) Inventors: **Garold C. Miller**, Hartford, CT (US); **Nathan Daniel Weinstein**, Hartford, CT (US)
- (73) Assignee: **Halo2Cloud, LLC**, Hartford, CT (US)
- (**) Term: **15 Years**
- (21) Appl. No.: **29/608,382**
- (22) Filed: **Jun. 21, 2017**
- (51) **LOC (11) Cl.** **13-03**
- (52) **U.S. Cl.**
USPC **D13/144**
- (58) **Field of Classification Search**
USPC D13/144, 107, 110, 118, 119, 120, 133, D13/154, 184, 199; D14/155, 217, 433; 320/65, 107, 108, 109; 363/13, 146; 439/300, 620, 638, 668, 669, 675, 825
CPC H01R 24/58; H01R 2201/26; H01R 31/02
See application file for complete search history.

(56) **References Cited**

U.S. PATENT DOCUMENTS

4,109,988 A *	8/1978	Olson	H01R 31/02 439/265
4,248,494 A *	2/1981	McDonald	H01R 31/02 439/638
5,116,960 A	5/1992	Driver et al.		
D369,811 S	5/1996	Chen		
D371,616 S	7/1996	Porth et al.		
5,551,142 A	9/1996	Kooken et al.		
D385,254 S *	10/1997	Owusu	D13/133
D415,144 S *	10/1999	Roberts	D13/147
6,528,970 B1	3/2003	Liu et al.		

D479,196 S	9/2003	Shih		
6,811,435 B1 *	11/2004	Fan	H01R 24/58 439/577
D533,135 S	12/2006	Hussaini et al.		
D546,287 S	7/2007	Tanishita		
D579,911 S *	11/2008	Wei	D14/155
D594,817 S	6/2009	Abdallah et al.		
D654,437 S	2/2012	Fitch		
D702,183 S *	4/2014	Benedict	D13/110
D715,226 S *	10/2014	Rostami	D13/144
D723,466 S *	3/2015	Wang	D13/110
D743,882 S *	11/2015	Tsou	D13/107
2004/0036442 A1	2/2004	Wu		
2005/0189911 A1	9/2005	Cheng		
2007/0126290 A1	6/2007	Jaynes et al.		

(Continued)

Primary Examiner — Derrick Holland
Assistant Examiner — Jennifer O King
 (74) *Attorney, Agent, or Firm* — McCormick, Paulding & Huber LLP

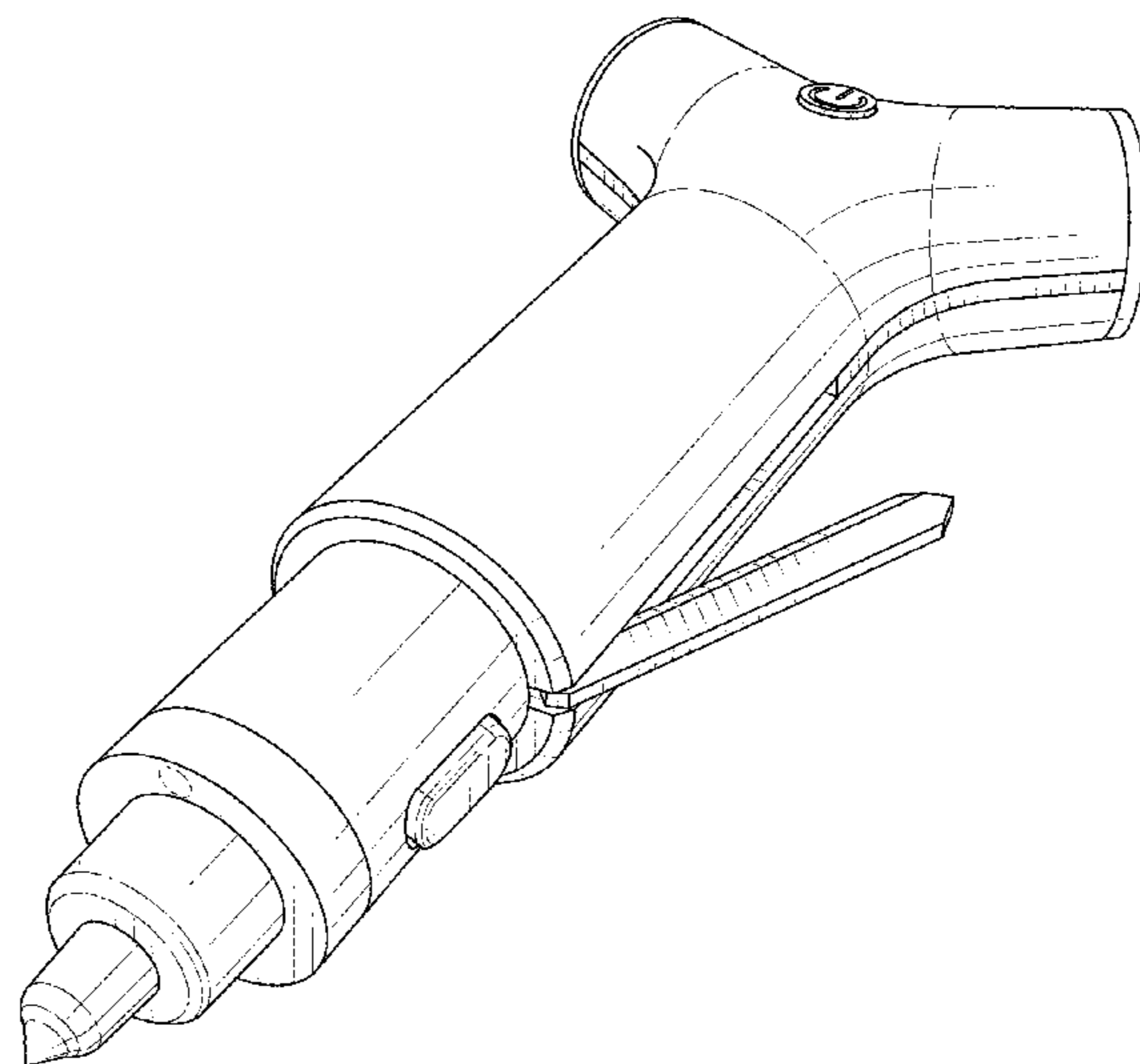
(57) **CLAIM**

The ornamental design for a portable battery charger with safety features for use in an automobile, substantially as shown and described.

DESCRIPTION

FIG. 1 is a front, top perspective view of a portable battery charger with safety features for use in an automobile comprising a new, original and ornamental design;
 FIG. 2 is a top view thereof;
 FIG. 3 is a bottom view thereof;
 FIG. 4 is a left-hand side view thereof;
 FIG. 5 is a right-hand side view thereof;
 FIG. 6 is a back end view thereof; and,
 FIG. 7 is a front end view thereof.
 The broken lines shown represent portions of the portable battery charger with safety features for use in an automobile that form no part of the claimed design.

1 Claim, 5 Drawing Sheets



(56)

References Cited

U.S. PATENT DOCUMENTS

2007/0159816 A1 7/2007 Bayat et al.
2009/0186576 A1 7/2009 Peng
2010/0202137 A1 8/2010 Dalton et al.
2011/0068741 A1 3/2011 Liu
2014/0159639 A1 6/2014 Miller et al.
2017/0299130 A1 10/2017 Li et al.

* cited by examiner

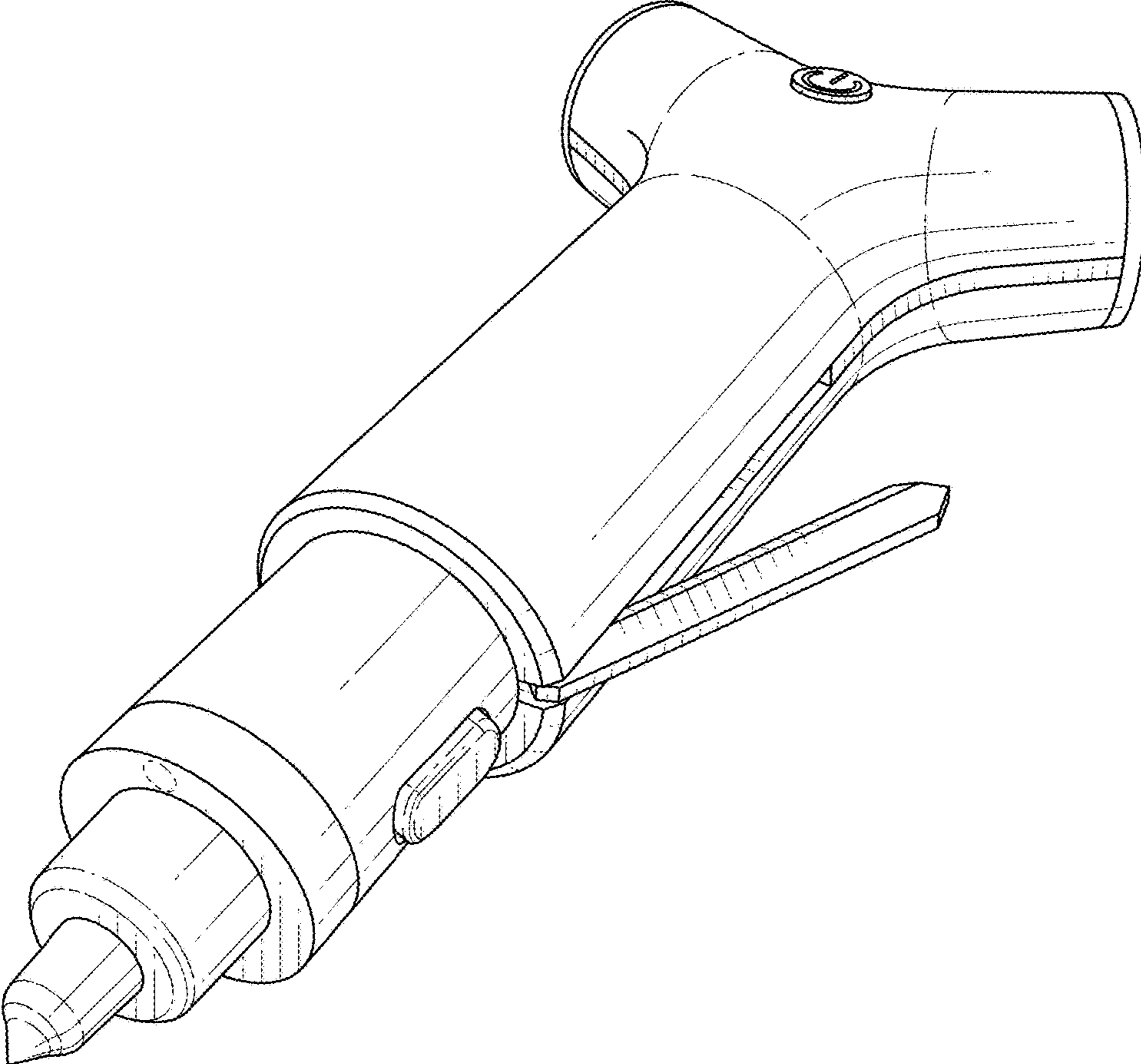


FIG. 1

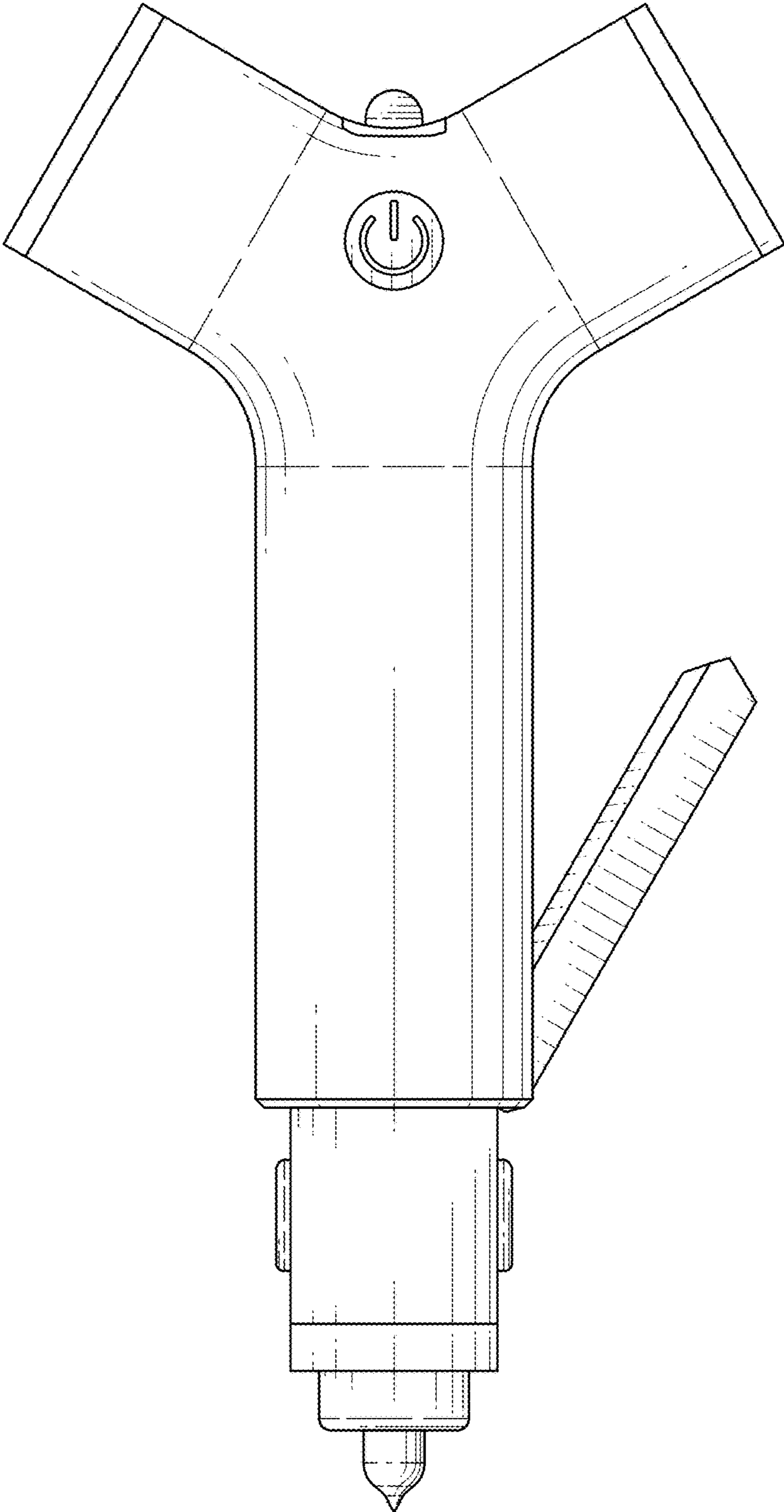


FIG. 2

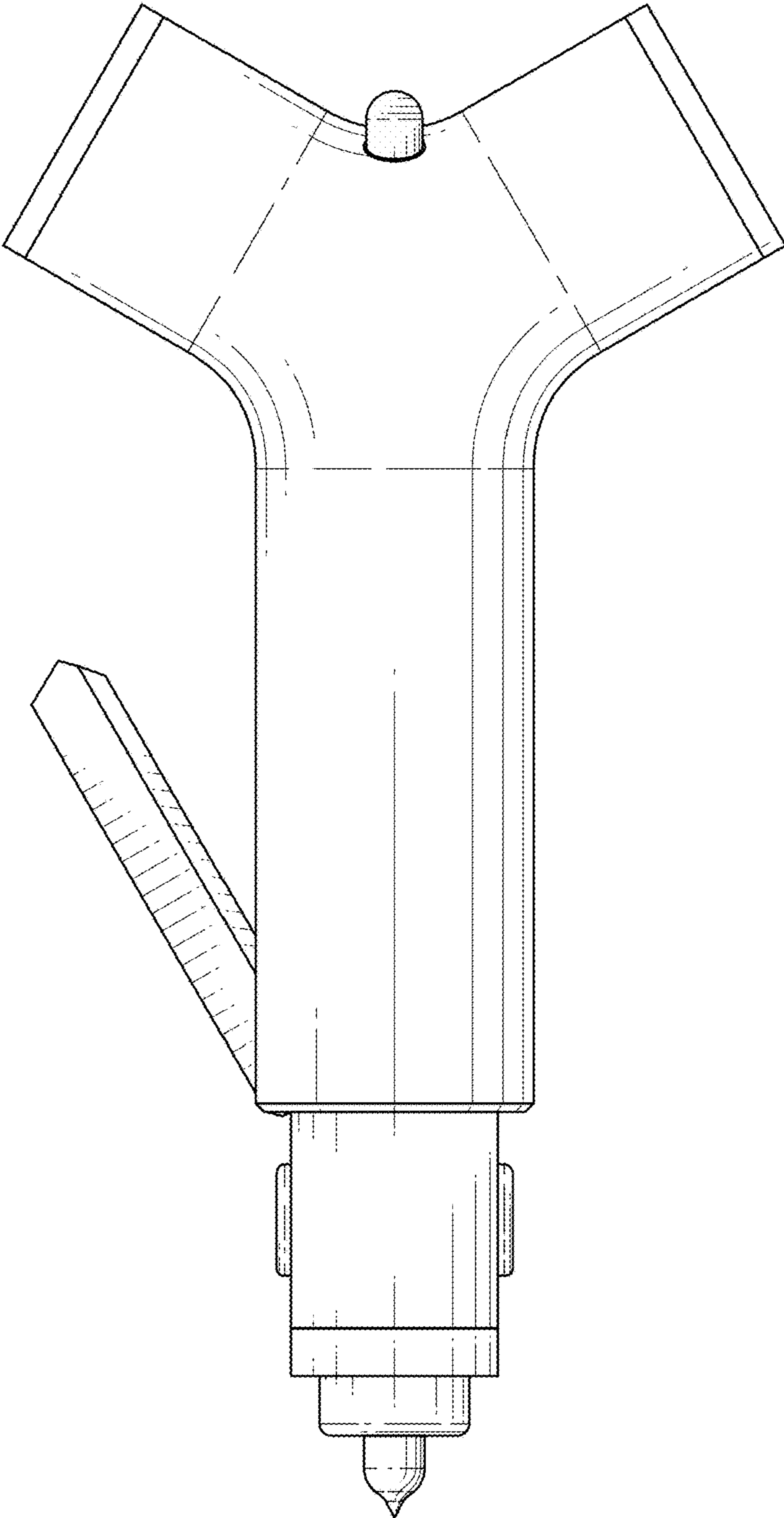


FIG. 3

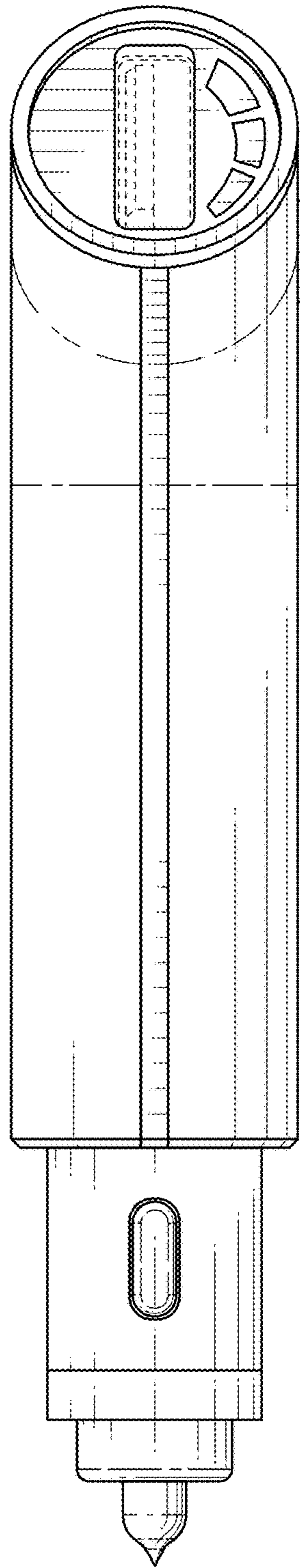


FIG. 4

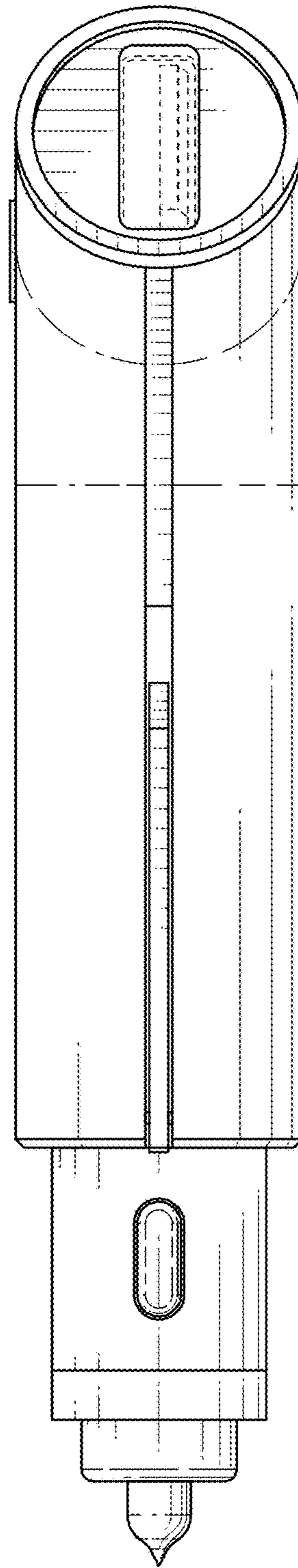


FIG. 5

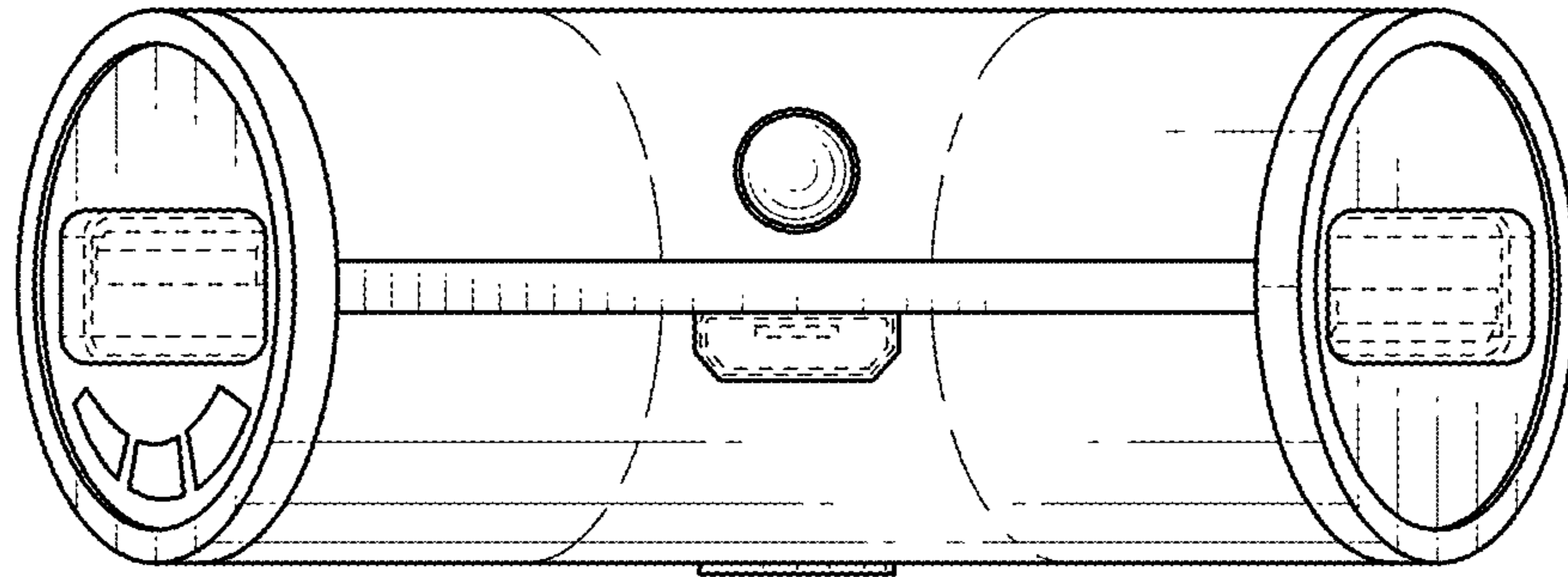


FIG. 6

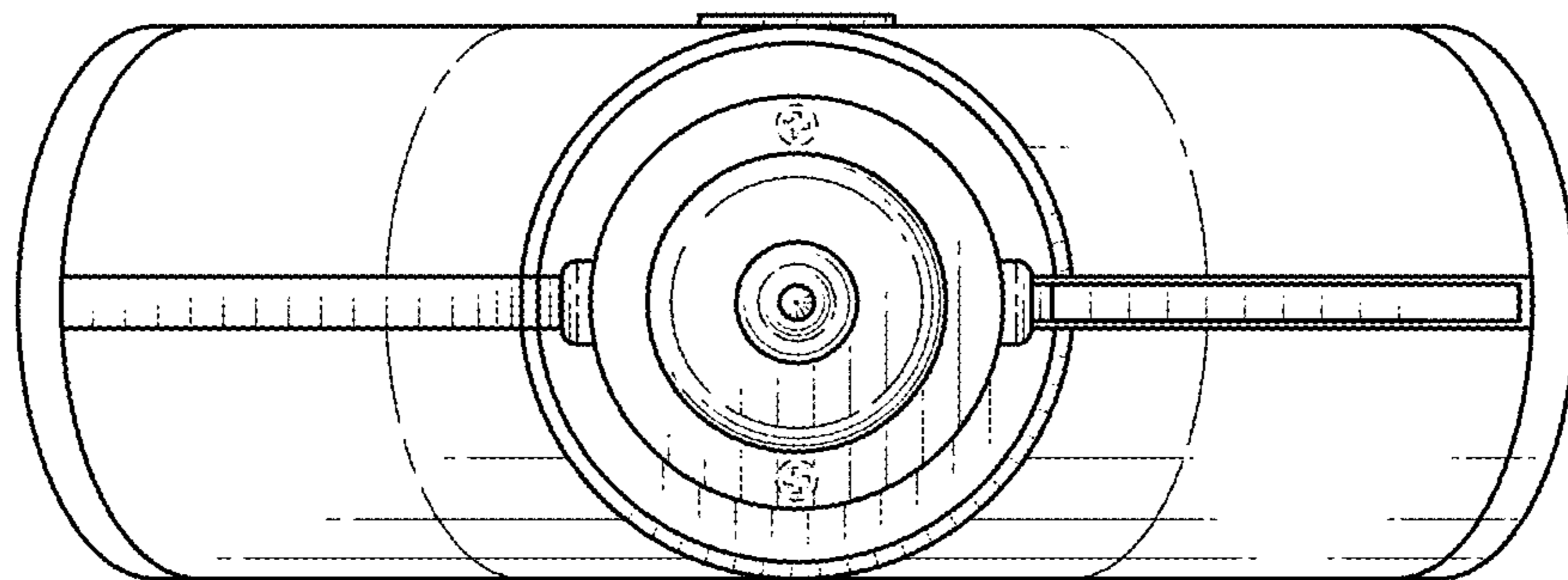


FIG. 7

UNITED STATES PATENT AND TRADEMARK OFFICE
CERTIFICATE OF CORRECTION

PATENT NO. : D833,975 S
APPLICATION NO. : 29/608382
DATED : November 20, 2018
INVENTOR(S) : Garold C. Miller et al.

Page 1 of 1

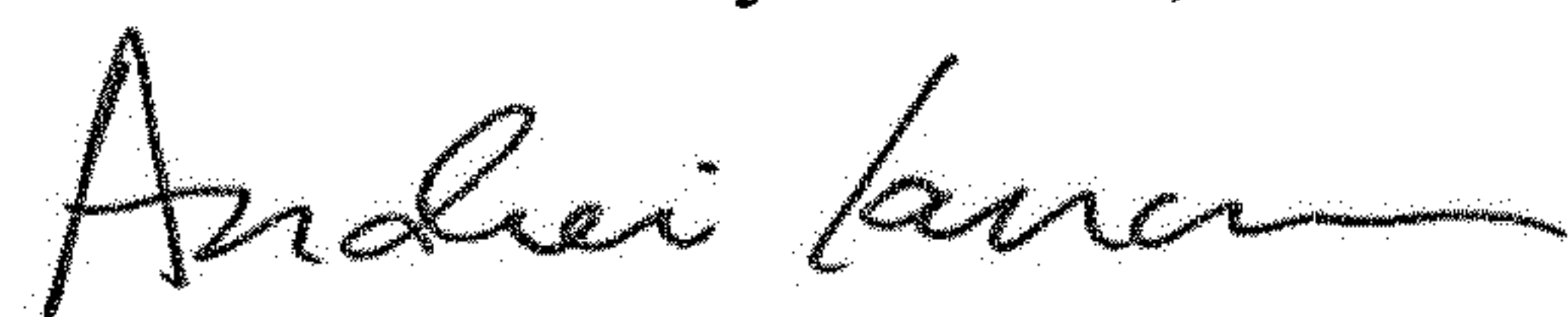
It is certified that error appears in the above-identified patent and that said Letters Patent is hereby corrected as shown below:

On the Title Page

In the References Cited section, item (56) under U.S. Patent Documents, please replace “5,116,960 A, Driver et al.” with --6,116,960 A, Lloyd et al.--.

In the References Cited section, item (56) under U.S. Patent Documents, please replace “5,551,142, Kooken et al.” with --6,551,142, Eisenbraun--.

Signed and Sealed this
Eleventh Day of June, 2019



Andrei Iancu
Director of the United States Patent and Trademark Office