



US00D833973S

(12) **United States Design Patent** (10) **Patent No.:** **US D833,973 S**  
**Kitsugi et al.** (45) **Date of Patent:** **\*\* Nov. 20, 2018**

(54) **BATTERY**

FOREIGN PATENT DOCUMENTS

(71) Applicant: **Nikon Corporation**, Tokyo (JP)

CN 3471844 8/2005  
JP 1460693 2/2013

(72) Inventors: **Yasuo Kitsugi**, Saitama (JP); **Toshiaki Kobayashi**, Fukushima-ken (JP); **Hideaki Asano**, Chiba (JP); **Takasumi Murase**, Chigasaki (JP); **Masuhiko Yamasaki**, Tokyo (JP)

OTHER PUBLICATIONS

D2014-001815, Aug. 8, 2014, Office Action.  
(Continued)

(73) Assignee: **Nikon Corporation**, Tokyo (JP)

*Primary Examiner* — Michelle E. Wilson

(\*\*) Term: **15 Years**

*Assistant Examiner* — Sanjeev Paul

(21) Appl. No.: **29/602,736**

(74) *Attorney, Agent, or Firm* — Wolf, Greenfield & Sacks, P.C.

(22) Filed: **May 3, 2017**

(57) **CLAIM**

**Related U.S. Application Data**

The ornamental design for a battery, as shown and described.

(62) Division of application No. 29/497,785, filed on Jul. 29, 2014, now Pat. No. Des. 799,425.

**DESCRIPTION**

(30) **Foreign Application Priority Data**

Jan. 30, 2014 (JP) ..... 2014-001812  
Jan. 30, 2014 (JP) ..... 2014-001813  
(Continued)

FIG. 1 is a front, top and right side perspective view of an embodiment of a battery showing our new design; FIG. 2 is a rear, top and left side perspective view thereof; FIG. 3 is a front view thereof; FIG. 4 is a rearview thereof; FIG. 5 is a top plan view thereof; FIG. 6 is a right side view thereof; FIG. 7 is a left side view thereof; FIG. 8 is an enlarged cross-sectional view of an upper portion of the article taken along line 8-8 in FIG. 3 with the internal structure omitted; and, FIG. 9 is an enlarged cross-sectional view of an upper portion of the article taken along line 9-9 in FIG. 5 with the internal structure omitted.

(51) **LOC (11) Cl.** ..... **13-02**

(52) **U.S. Cl.**  
USPC ..... **D13/119**

(58) **Field of Classification Search**  
USPC ..... D13/102–106, 110, 119–121, 184;  
429/96–100, 163, 176  
(Continued)

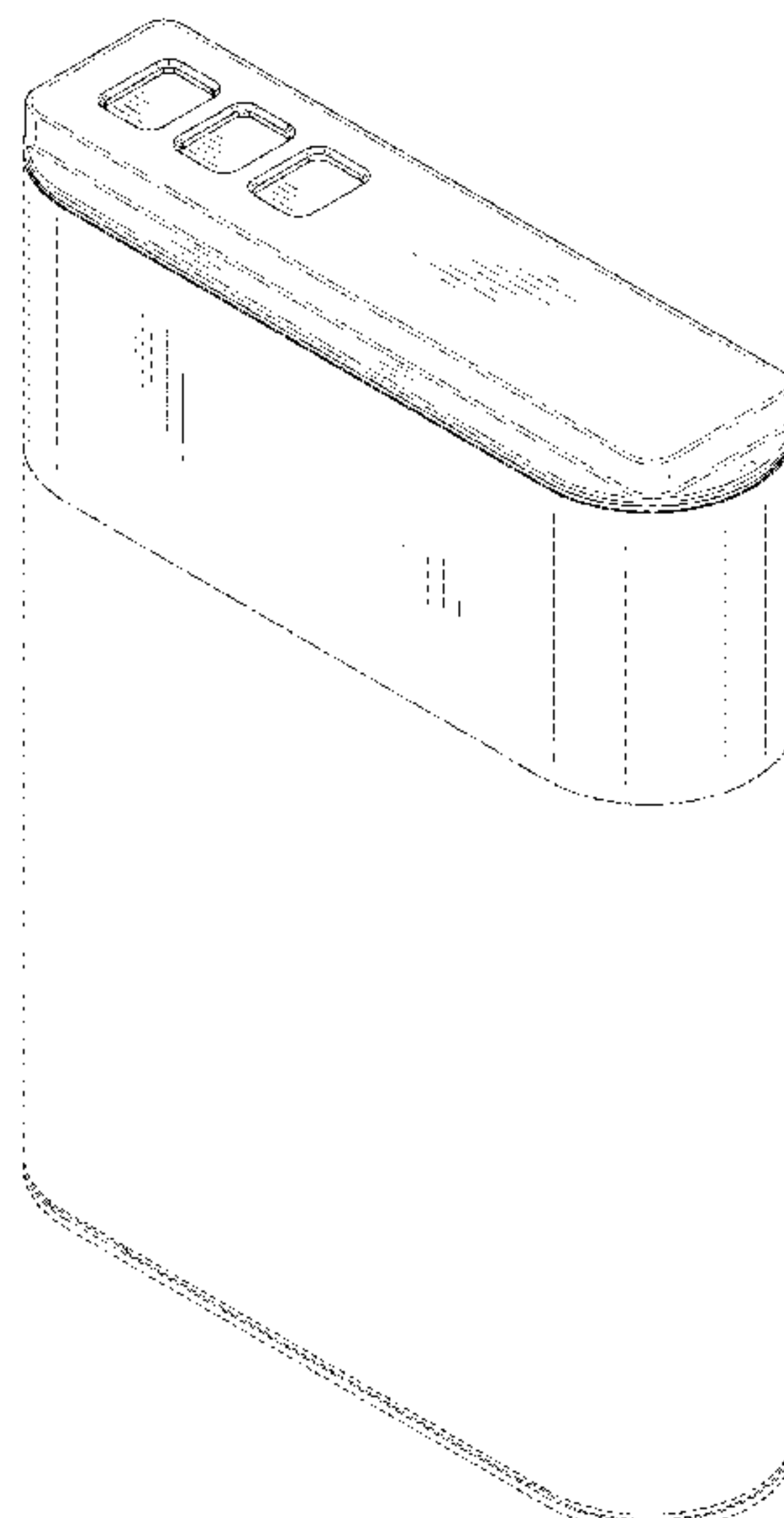
The features shown in broken lines in the drawings depict environmental subject matter only and form no part of the claimed design. The dashed-dotted lines denote the boundary of the claim and form no part of the claimed design.

(56) **References Cited**

U.S. PATENT DOCUMENTS

D400,496 S \* 11/1998 Barber ..... D13/103  
D414,158 S \* 9/1999 Frye ..... D13/103  
(Continued)

**1 Claim, 9 Drawing Sheets**



(30) Foreign Application Priority Data

Jan. 30, 2014 (JP) ..... 2014-001814  
 Jan. 30, 2014 (JP) ..... 2014-001815  
 Jan. 30, 2014 (JP) ..... 2014-001816

(58) Field of Classification Search

CPC ..... Y02E 60/12; Y02E 60/122; Y02E 60/124;  
 Y02E 60/50; H01M 2/02; H01M 2/022;  
 H01M 2/0202; H01M 2/0207; H01M  
 2/0212; H01M 2/1061; H01M 2/1022;  
 H01M 2/1055; H01M 2/1066; H01M  
 2/105; H01M 2/204; H01M 10/4257;  
 H01M 10/0436; H01M 10/48

See application file for complete search history.

(56) References Cited

U.S. PATENT DOCUMENTS

D414,159 S \* 9/1999 Deslyper ..... D13/103  
 D516,503 S 3/2006 Takeshita et al.  
 D524,241 S \* 7/2006 Takeshita ..... D13/103  
 D558,143 S \* 12/2007 Hsu ..... D13/110  
 D590,334 S \* 4/2009 Tatehata ..... D13/103  
 D590,335 S \* 4/2009 Tatehata ..... D13/103  
 D590,336 S \* 4/2009 Tatehata ..... D13/103  
 D590,337 S \* 4/2009 Tatehata ..... D13/103  
 D590,339 S \* 4/2009 Yang ..... D13/110  
 D590,341 S \* 4/2009 Tatehata ..... D13/103  
 D590,769 S \* 4/2009 Tatehata ..... D13/103  
 D592,130 S \* 5/2009 Tatehata ..... D13/103  
 D594,402 S \* 6/2009 Inoue ..... D13/103  
 D601,494 S \* 10/2009 Otani ..... D13/103  
 D608,276 S \* 1/2010 Takeshita ..... D13/103  
 D618,171 S \* 6/2010 Tatehata ..... D13/103  
 D635,512 S \* 4/2011 Tatehata ..... D13/119  
 D642,978 S \* 8/2011 Sato ..... D13/103  
 D642,980 S \* 8/2011 Inaba ..... D13/119  
 D644,178 S \* 8/2011 Sato ..... D13/120  
 D644,988 S \* 9/2011 Finney ..... D13/103  
 D645,814 S \* 9/2011 Otani ..... D13/103  
 D646,222 S \* 10/2011 Tatehata ..... D13/103

2002/0012838 A1\* 1/2002 Tsukada ..... C23C 30/00  
 429/176  
 2006/0073384 A1\* 4/2006 Heo ..... H01M 2/0202  
 429/176  
 2006/0099491 A1\* 5/2006 Jeon ..... H01M 2/1241  
 429/53  
 2006/0099492 A1\* 5/2006 Jeon ..... H01M 2/0404  
 429/61  
 2006/0210870 A1\* 9/2006 Moon ..... H01M 2/1061  
 429/175  
 2007/0224501 A1\* 9/2007 Yoon ..... H01M 2/0202  
 429/176  
 2016/0319125 A1\* 11/2016 Hyun ..... C08L 69/00  
 2016/0329610 A1\* 11/2016 Kim ..... H01M 10/4257

OTHER PUBLICATIONS

D2014-001816, Aug. 8, 2014, Office Action  
 Office Action in corresponding Japanese patent application No.  
 D2014-001815; dated Aug. 8, 2014, pp. 1-2.  
 Office Action in corresponding Japanese patent application No.  
 D2014-001816; dated Aug. 8, 2014, pp. 1-2.  
 Japanese Patent Office's Reference No. HJ2400949000, "Adobe  
 Scene 7 Zoom", W.W. Grainger, Inc., Publication Date Jun. 4, 2012,  
 pp. 1-2, [http://productimages.grainger.com/s7viewers/dhtml/  
 genericZoomMobile.html?serverUrl=http://productimages.grainger.  
 com/is/image/&style=Grainger%2FCSS%2FbasicZoomMobile%  
 2Ecsc&contentRoot=http://productim](http://productimages.grainger.com/s7viewers/dhtml/genericZoomMobile.html?serverUrl=http://productimages.grainger.com/is/image/&style=Grainger%2FCSS%2FbasicZoomMobile%2Ecsc&contentRoot=http://productim).  
 Japanese Patent Office's Reference No. HJ2400949400, "Adobe  
 Scene 7 Zoom", W.W. Granger, Inc., Publication Date Jun. 4, 2012,  
 pp. 1-2, [http://productimages.grainger.com/s7viewers/dhtml/  
 genericZoomMobile.html?serverUrl=http://productimages.grainger.  
 com/is/image/&style=Grainger%2FCSS%2FbasicZoomMobile%  
 2Ecsc&contentRoot=http://productim](http://productimages.grainger.com/s7viewers/dhtml/genericZoomMobile.html?serverUrl=http://productimages.grainger.com/is/image/&style=Grainger%2FCSS%2FbasicZoomMobile%2Ecsc&contentRoot=http://productim).  
 Japanese Patent Office's Reference No. HJ2400949800, "Adobe  
 Scene 7 Zoom", W.W. Granger, Inc., Publication Date Jun. 4, 2012,  
 pp. 1-2, [http://productimages.grainger.com/s7viewers/dhtml/  
 genericZoomMobile.html?serverUrl=http://productimages.grainger.  
 com/is/image/&style=Grainger%2FCSS%2FbasicZoomMobile%  
 2Ecsc&contentRoot=http://productim](http://productimages.grainger.com/s7viewers/dhtml/genericZoomMobile.html?serverUrl=http://productimages.grainger.com/is/image/&style=Grainger%2FCSS%2FbasicZoomMobile%2Ecsc&contentRoot=http://productim).

\* cited by examiner

Fig.1

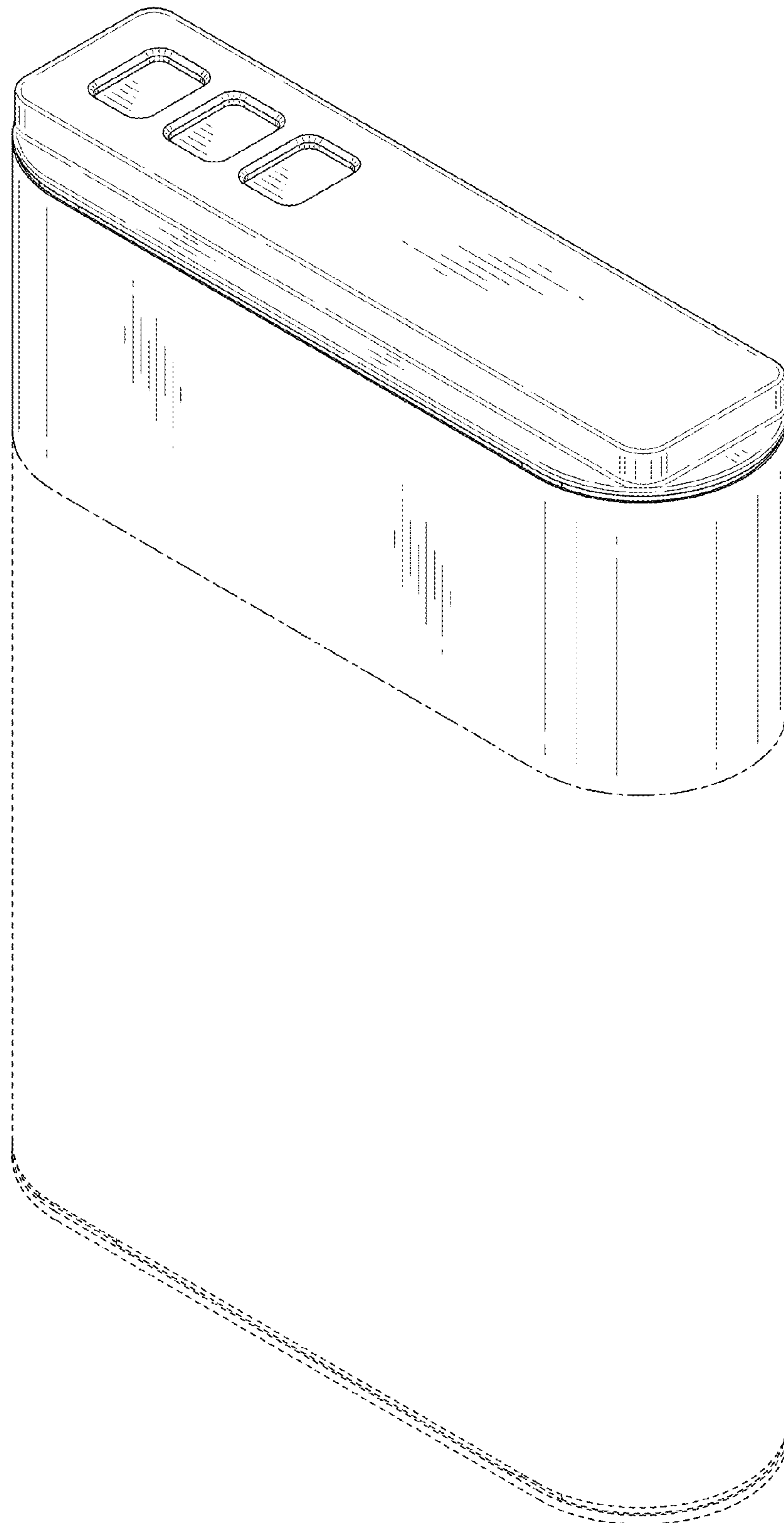




Fig.2

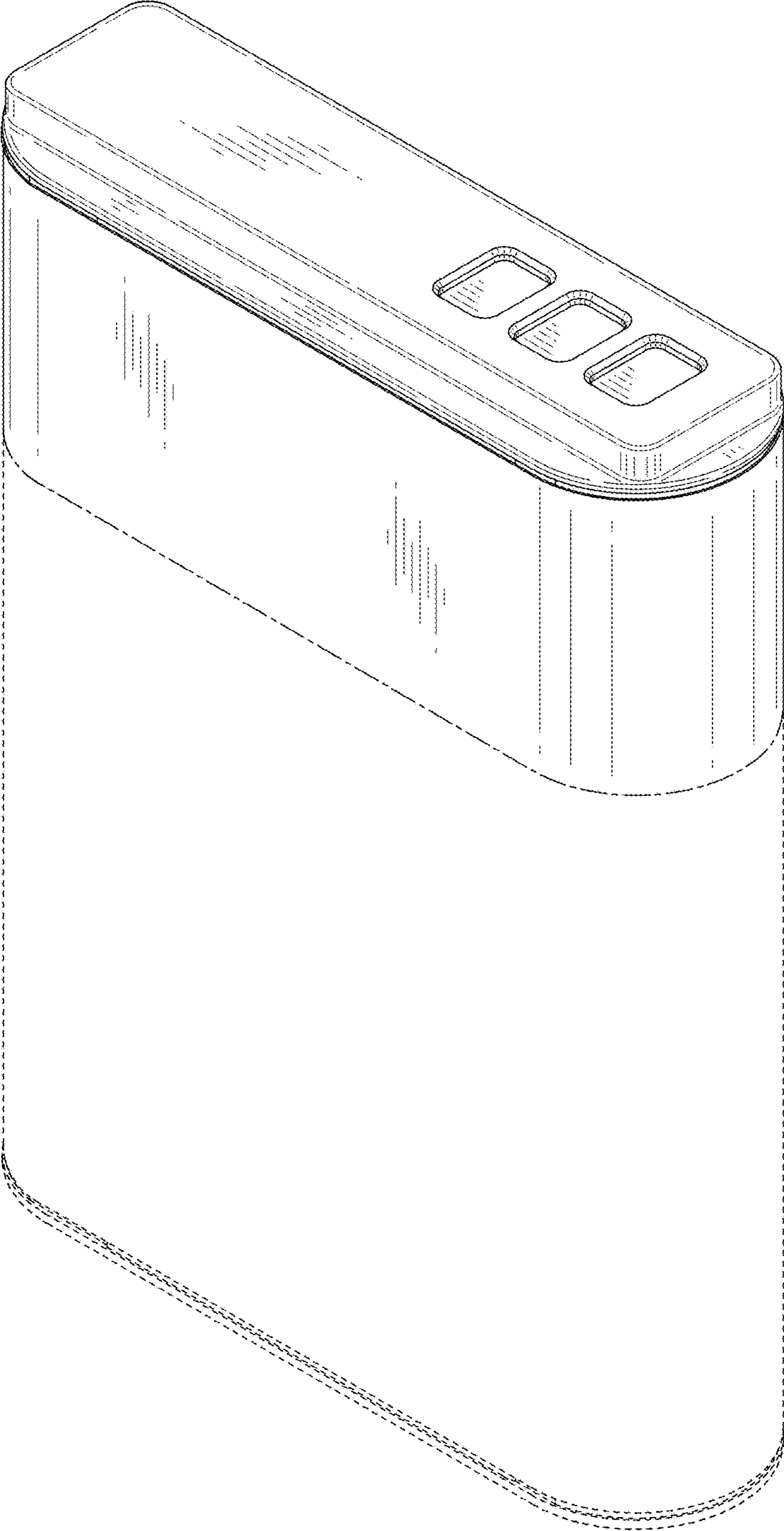


Fig.3

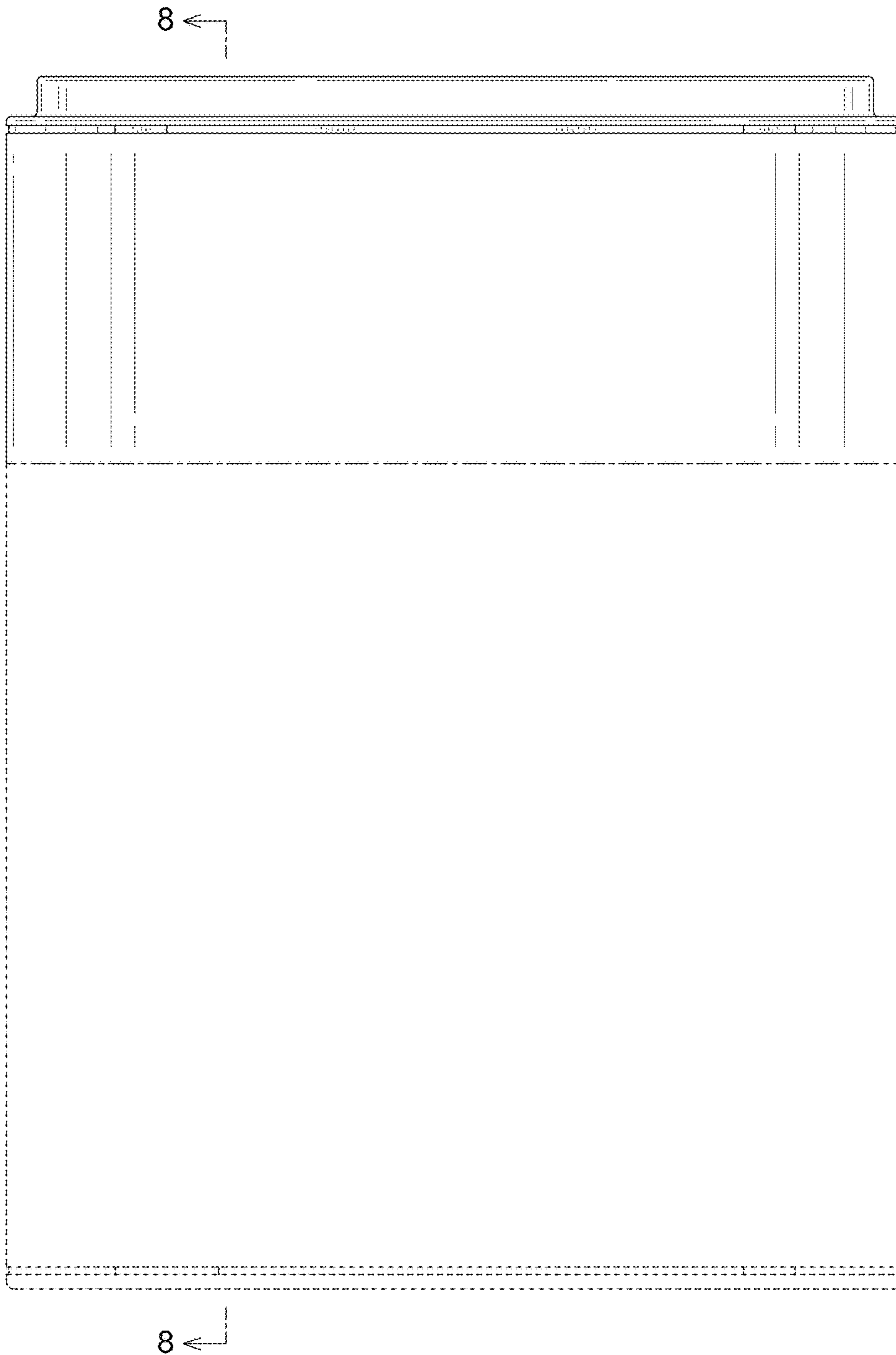


Fig.4

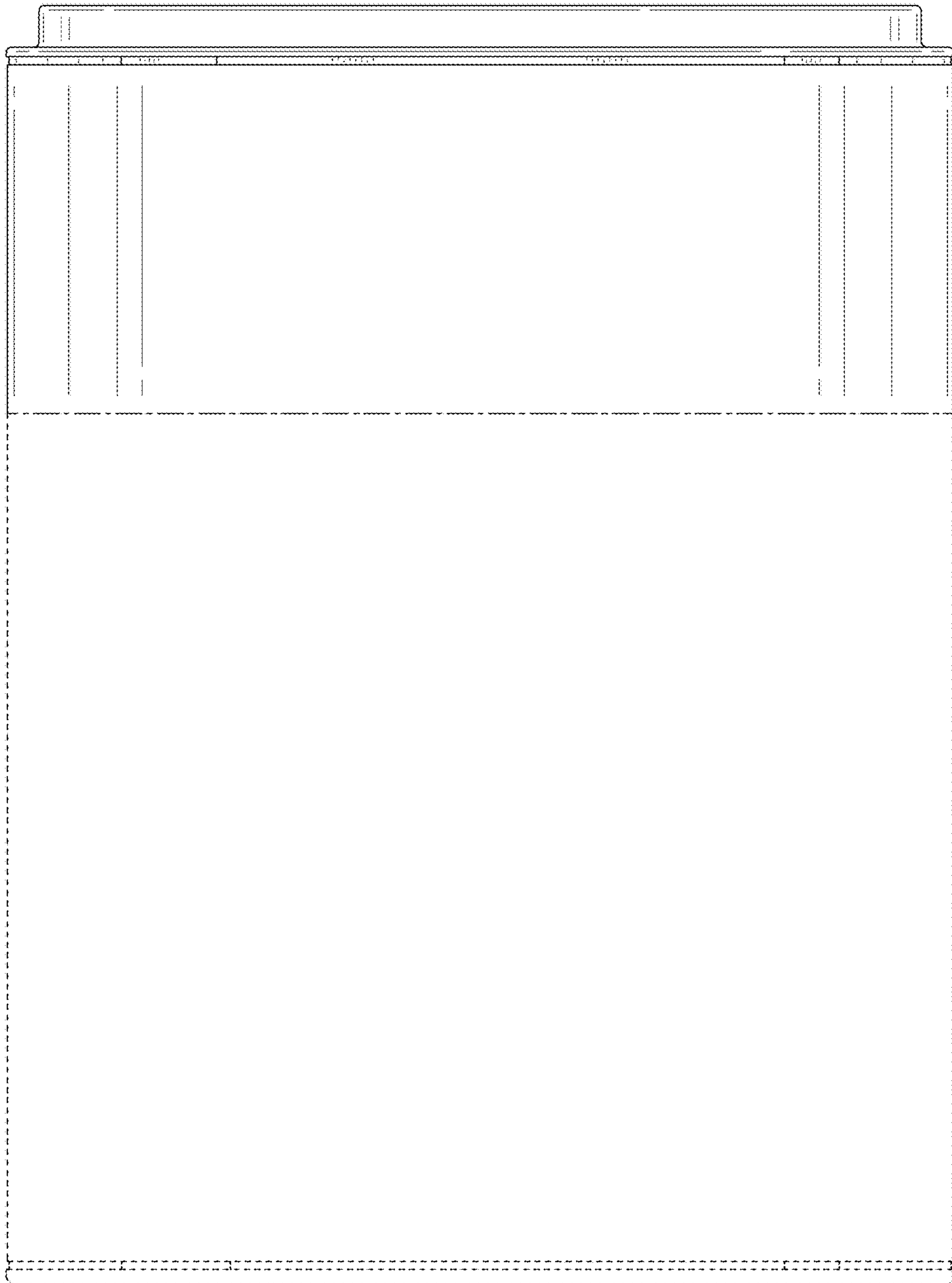


Fig.5

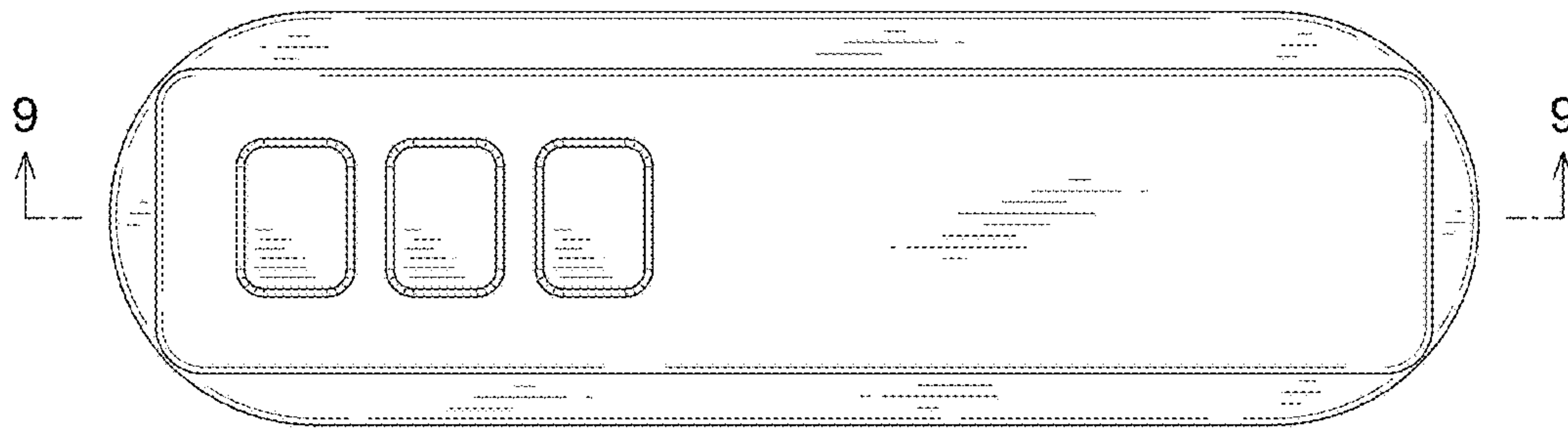


Fig.6

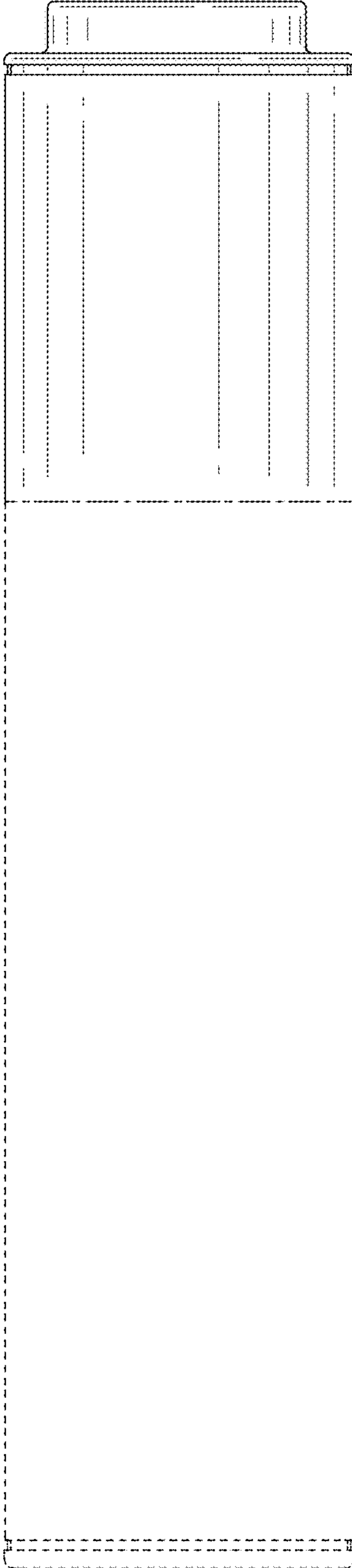




Fig.7

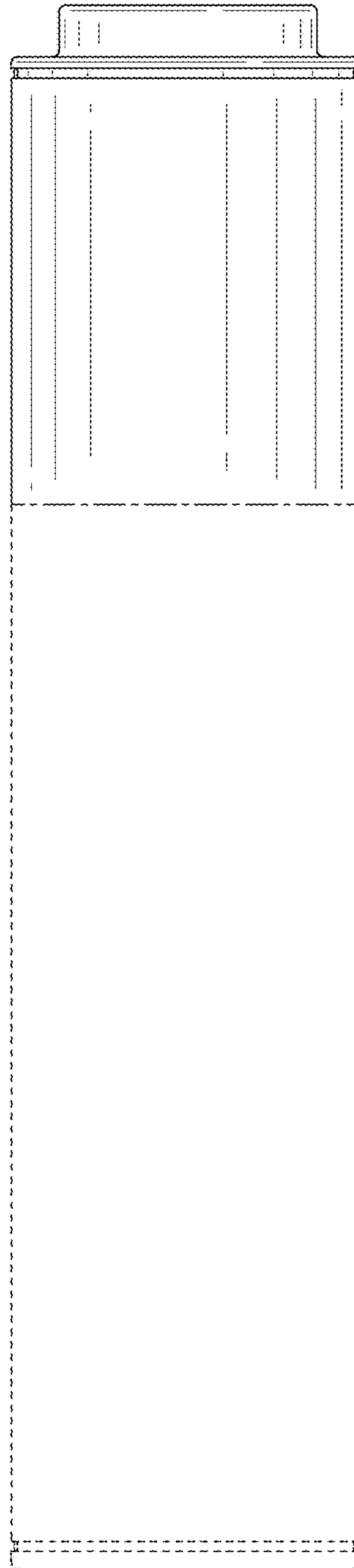


Fig.8

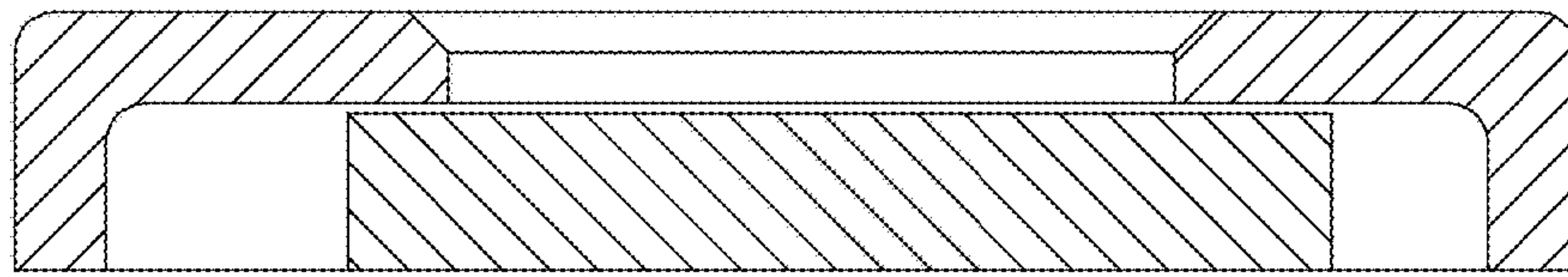


Fig.9

