



US00D833972S

(12) **United States Design Patent** (10) **Patent No.:** **US D833,972 S**
Pflueger (45) **Date of Patent:** **** Nov. 20, 2018**

- (54) **ELECTRIC MOTOR**
- (71) Applicant: **BAUMUELLER NUERNBERG GMBH**, Nuremberg (DE)
- (72) Inventor: **Juergen Pflueger**, Noerten-Hardenberg (DE)
- (73) Assignee: **Baum Mueller Neurnberg GmbH**, Nuremberg (DE)
- (**) Term: **15 Years**
- (21) Appl. No.: **29/603,185**
- (22) Filed: **May 8, 2017**

D758,310 S *	6/2016	Veeh	D13/112
D779,428 S *	2/2017	Mayer	D13/112
D784,431 S *	4/2017	Liou	D15/143
D806,030 S *	12/2017	Pfefferkorn	D13/112

FOREIGN PATENT DOCUMENTS

DE	102015013036 A1 *	4/2017	H02K 9/19
----	-------------------	--------	-------	-----------

OTHER PUBLICATIONS

YL Single Phase Induction Motor, posted on wingostar-motor.com, no posted date given, no production date given, [online], [site visited Feb. 23, 2018], Available from Internet, URL: <http://www.wingostar-motor.com/single-phase-electric-motor/yl-series-motor/yl-single-phase-induction-motor.html> (Year: 2018).*

* cited by examiner

Primary Examiner — Melanie H Tung

Assistant Examiner — Fritzgerald L Butac

(74) *Attorney, Agent, or Firm* — Laurence A. Greenberg; Werner H. Stemer; Ralph E. Locher

- (30) **Foreign Application Priority Data**
- Nov. 8, 2016 (EM) 3453372-0001
- (51) **LOC (11) Cl.** **13-01**
- (52) **U.S. Cl.**
- USPC **D13/112**
- (58) **Field of Classification Search**
- USPC D13/112-114, 122, 123, 199; D15/1-5, D15/148, 149, 199; D23/314
- CPC B60K 7/0007; B60K 200/0092; B60L 15/2009; Y02T 10/72; Y02T 10/7275
- See application file for complete search history.

(57) **CLAIM**

The ornamental design for an electric motor, as shown and described.

DESCRIPTION

FIG. 1 is a front perspective view of the electric motor showing my new invention;
FIG. 2 is a rear perspective view thereof;
FIG. 3 is a top plan view thereof;
FIG. 4 is a left side elevation view thereof; the right side being a mirror image thereof;
FIG. 5 is a bottom plan view thereof;
FIG. 6 is a front elevation view thereof; and,
FIG. 7 is a rear elevation view thereof.
The dashed broken lines show portions of the electric motor that form no part of the claimed design.

- (56) **References Cited**
- U.S. PATENT DOCUMENTS
- D336,890 S * 6/1993 Hirose D13/112
- D573,091 S * 7/2008 Shih D13/112
- D578,063 S * 10/2008 Lannoch D13/112
- D595,648 S * 7/2009 Lannoch D13/112
- D667,372 S * 9/2012 Lannoch D13/112
- D676,811 S * 2/2013 Marshall D13/112
- D678,194 S * 3/2013 Lannoch D13/112
- D688,627 S * 8/2013 Veeh D13/112
- D713,338 S * 9/2014 Lannoch D13/112

1 Claim, 7 Drawing Sheets

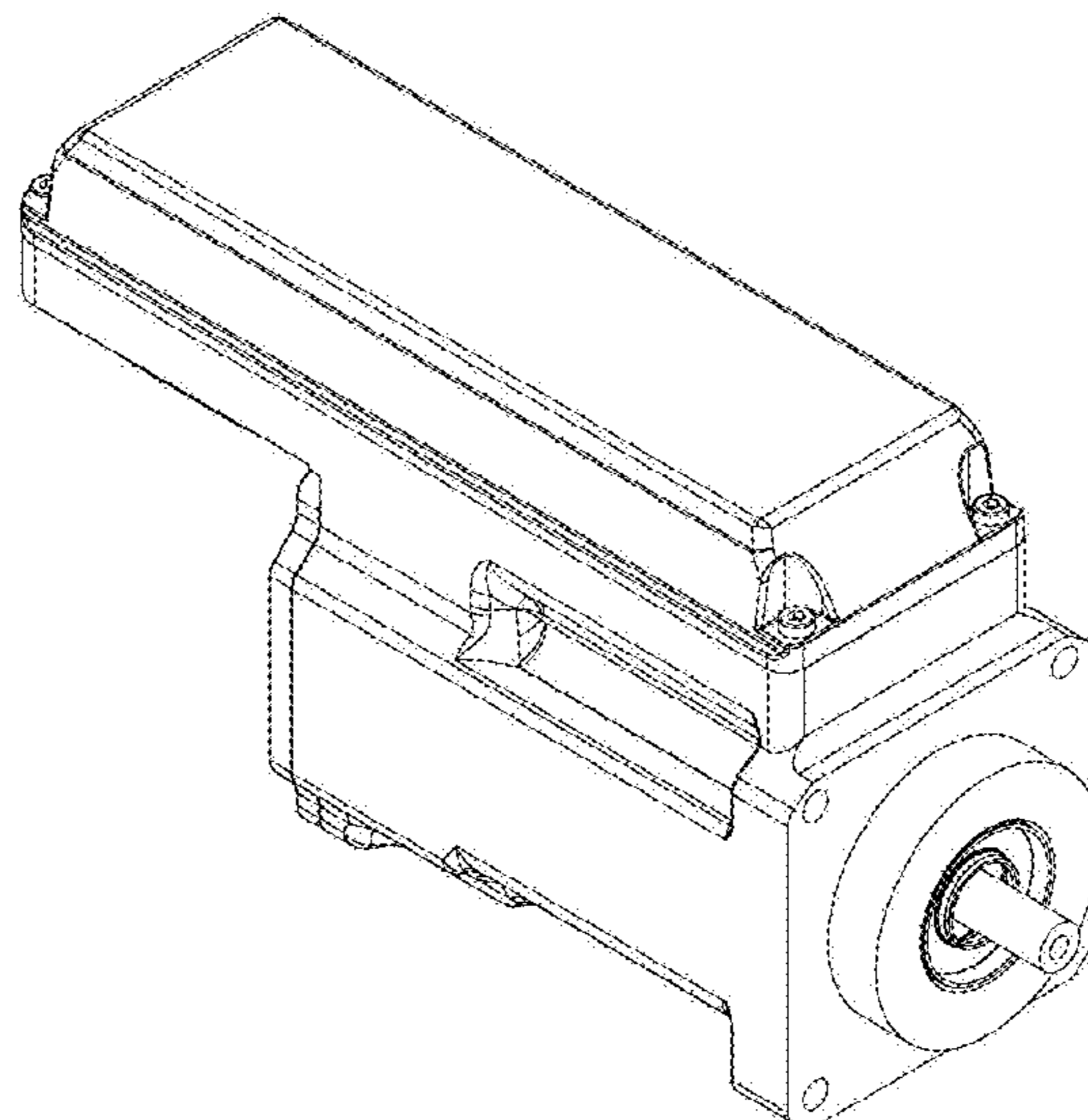


FIG. 1

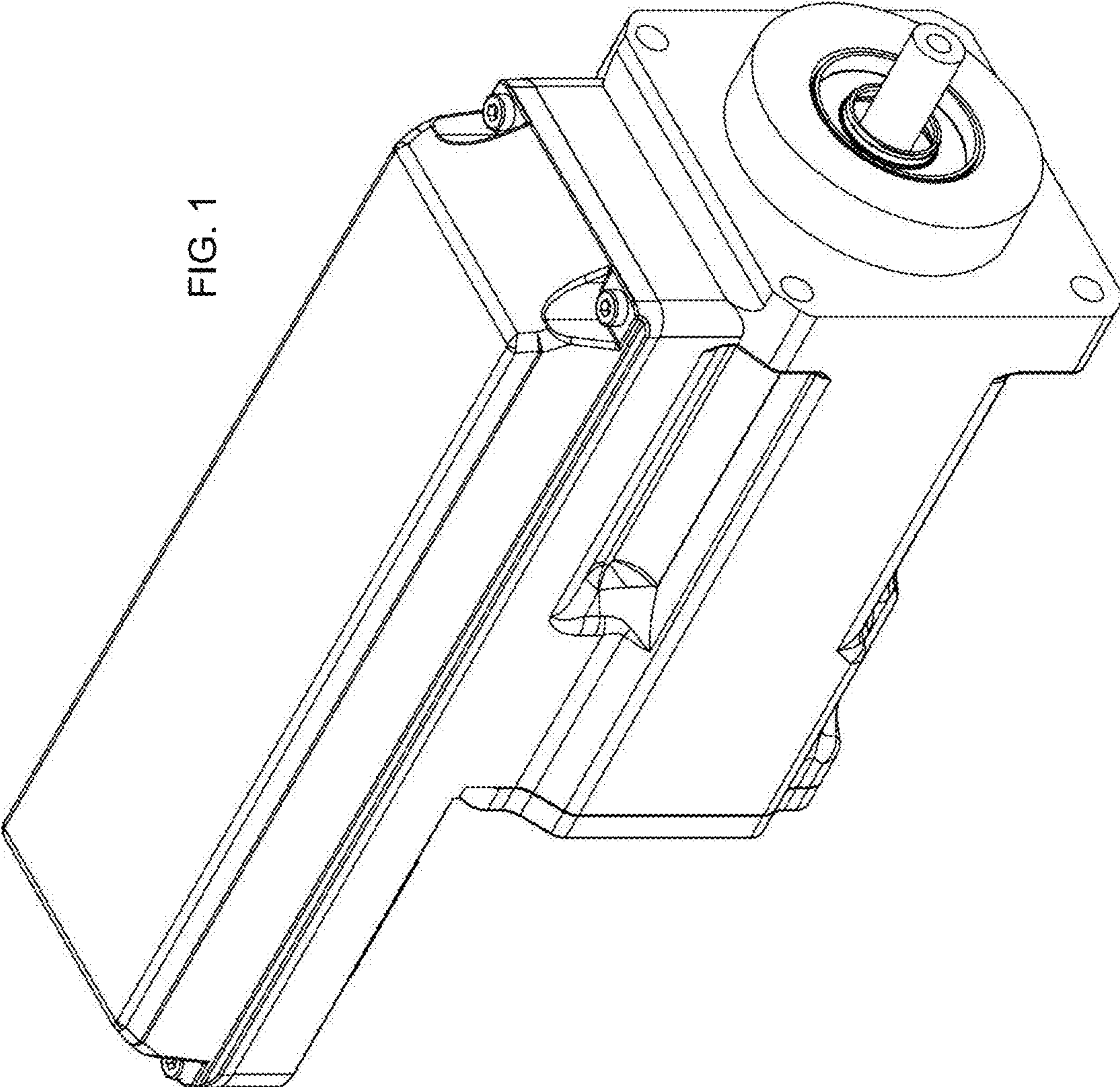


FIG. 2

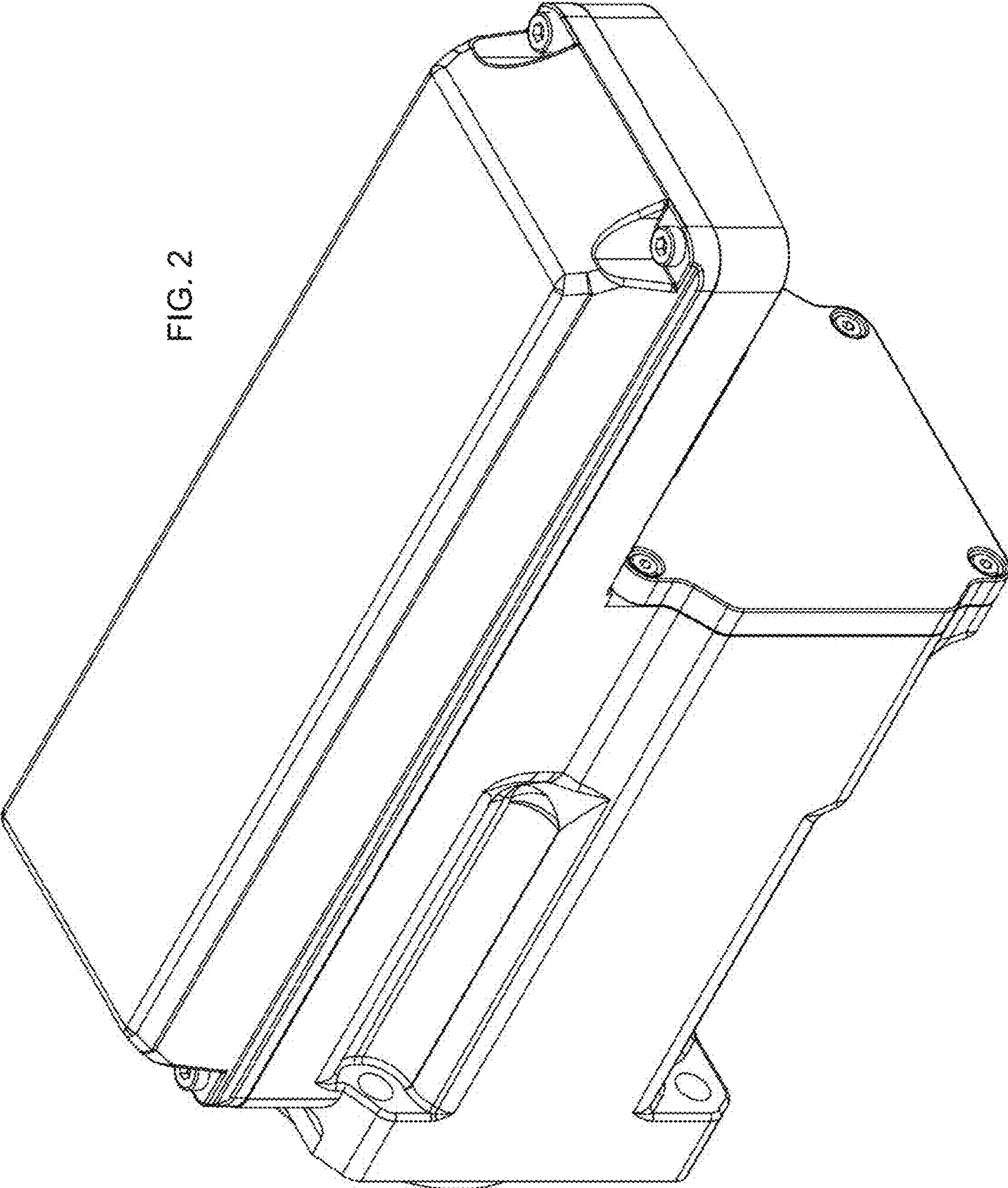


FIG. 3

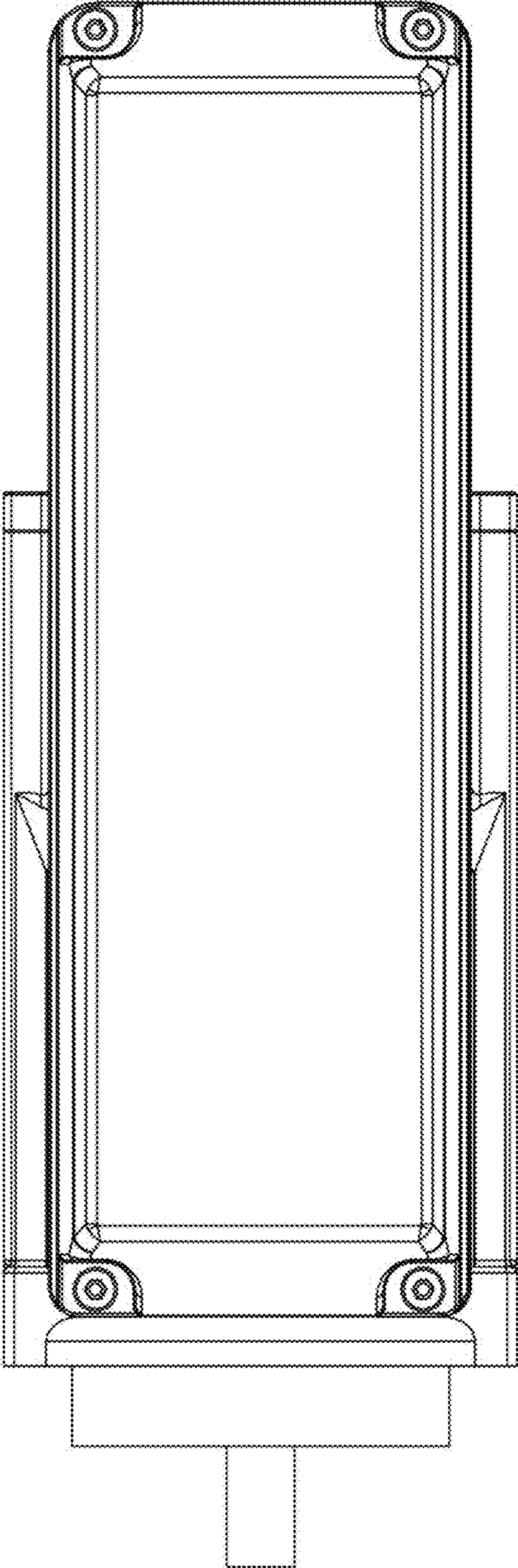


FIG. 4

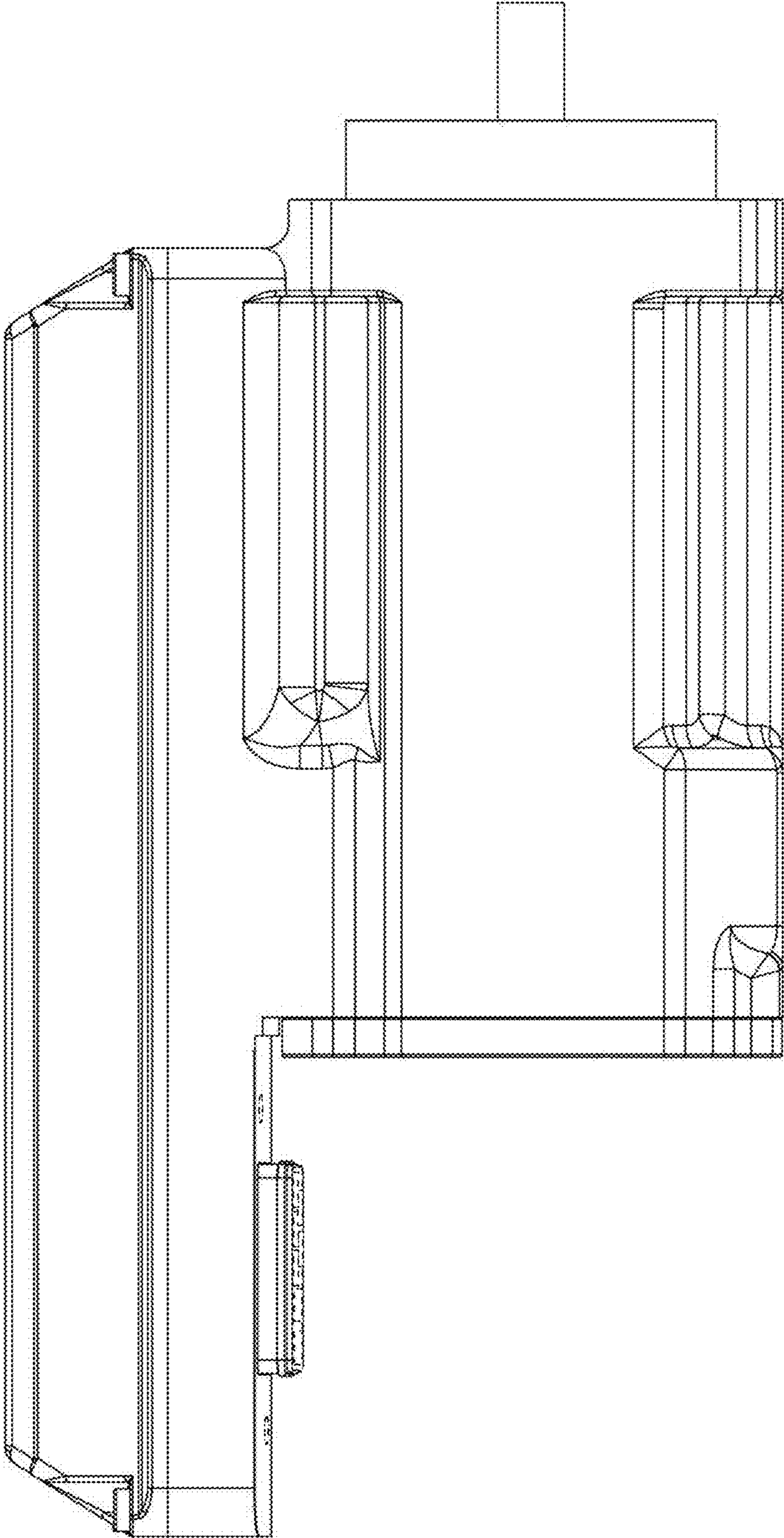


FIG. 5

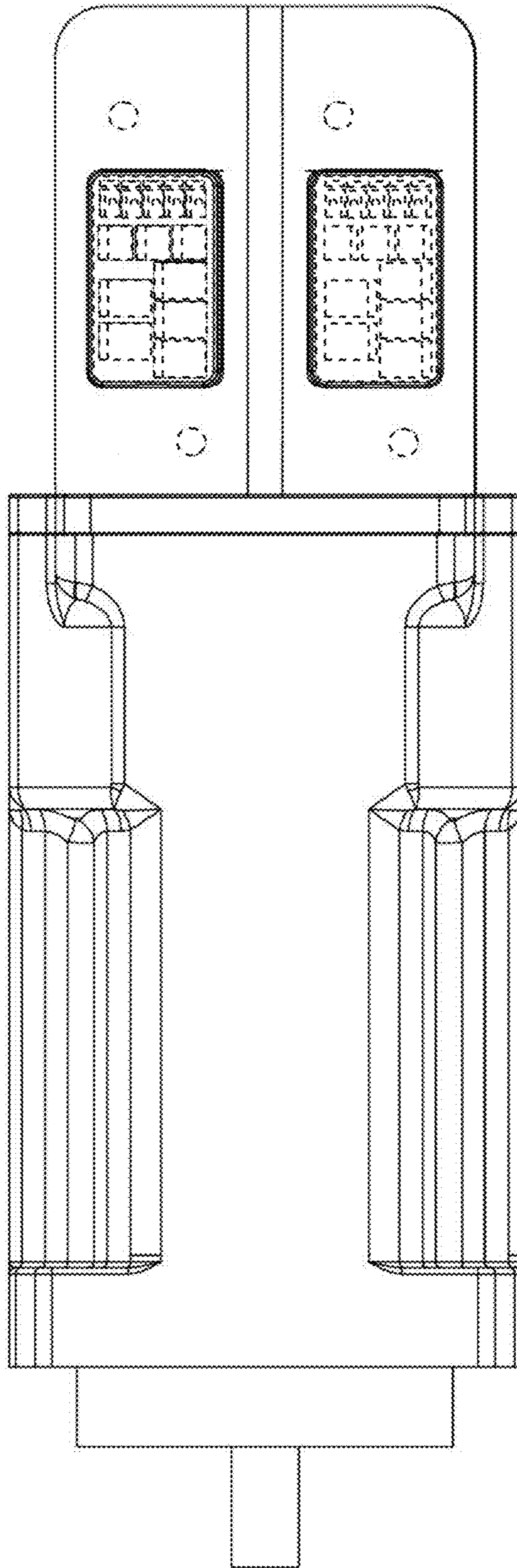


FIG. 6

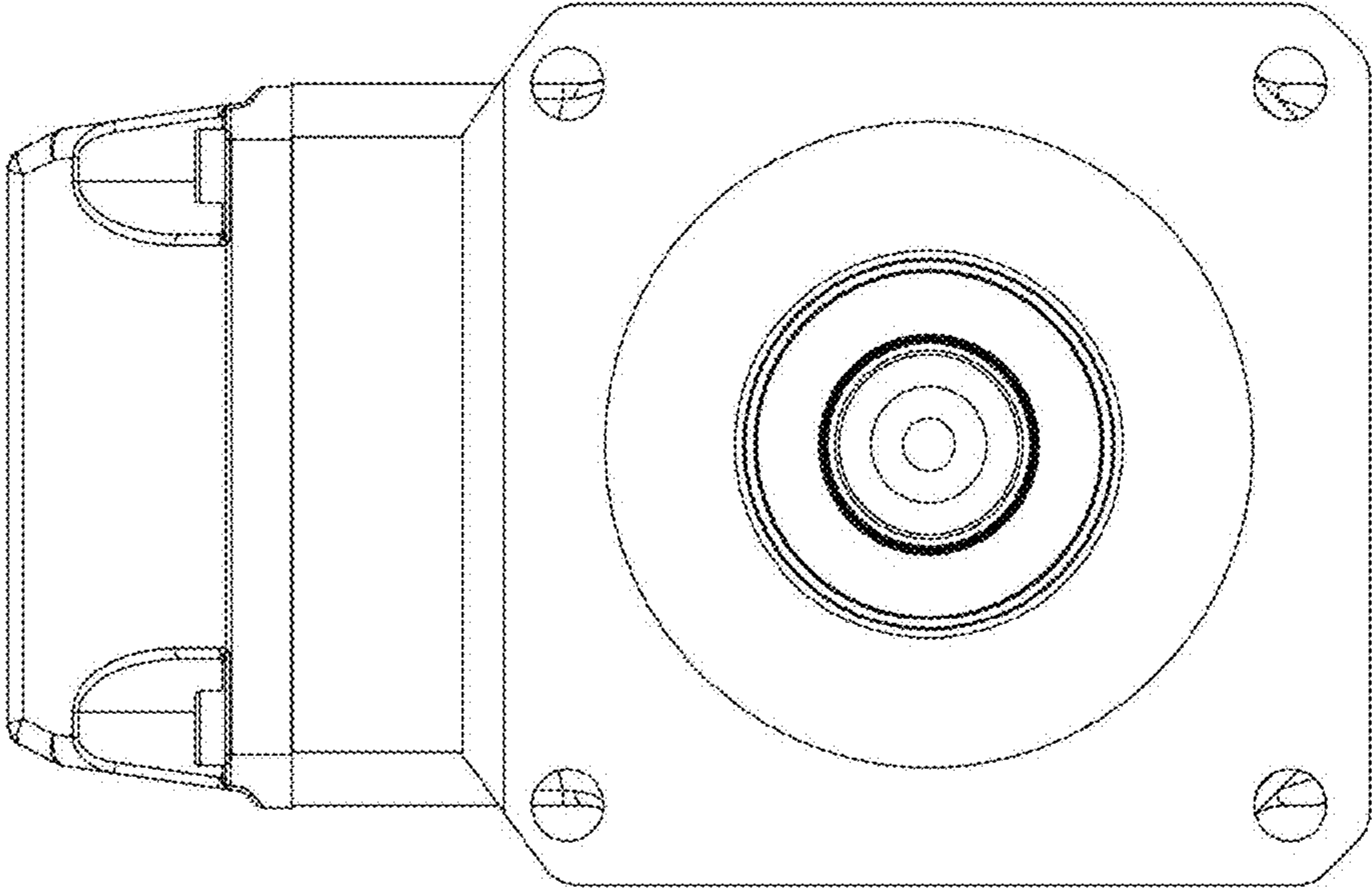


FIG. 7

