



US00D833971S

(12) **United States Design Patent** (10) **Patent No.:** **US D833,971 S**
Yun (45) **Date of Patent:** **** Nov. 20, 2018**

(54) **CHARGING STAND FOR ELECTRONIC DEVICES**

D553,106 S 10/2007 Griffin et al.
D564,959 S 3/2008 Heine et al.
D580,856 S * 11/2008 Haspil D13/108
D624,919 S 10/2010 Bull

(71) Applicant: **SPIGEN KOREA CO., LTD.**, Seoul (KR)

(Continued)

(72) Inventor: **Sun Woo Yun**, Seoul (KR)

Primary Examiner — Rosemary K Tarcza
Assistant Examiner — Nathaniel D. Buckner

(73) Assignee: **SPIGEN KOREA CO., LTD.**, Seoul (KR)

(74) *Attorney, Agent, or Firm* — Heedong Chae; Lucem, PC

(**) Term: **15 Years**

(57) **CLAIM**

The ornamental design for a charging stand for electronic devices, as shown and described.

(21) Appl. No.: **29/608,444**

DESCRIPTION

(22) Filed: **Jun. 21, 2017**

(51) **LOC (11) Cl.** **13-02**

(52) **U.S. Cl.**
USPC **D13/108**

(58) **Field of Classification Search**
USPC D13/107–110, 118–119, 184; D14/251, D14/253, 432, 434
CPC Y02E 60/12; Y02T 90/14; Y02T 90/122; Y02T 90/128; Y02T 90/163; H02J 7/025; H02J 7/0042; H02J 7/0044; H02J 7/0045; H02J 7/0003; H01F 38/14; H01R 13/6675; H01M 2/1022; H01M 2/1055; H01M 10/44; H01M 10/46; H01M 10/425; B60L 11/182

See application file for complete search history.

FIG. 1 is a front perspective view of a charging stand for electronic devices showing my new design; FIG. 2 is a rear perspective view thereof; FIG. 3 is a front elevational view thereof; FIG. 4 is a rear elevational view thereof; FIG. 5 is a left side elevational view thereof; FIG. 6 is a right side elevational view thereof; FIG. 7 is a top plan view thereof; FIG. 8 is a bottom plan view thereof; FIG. 9 is a top front right perspective view of the top portion of the charging stand for electronic devices shown separately for ease of illustration; FIG. 10 is a top rear left perspective view thereof; FIG. 11 a top front right perspective view of the bottom portion of the charging stand for electronic devices shown separately for ease of illustration; FIG. 12 is a top rear left perspective view thereof; FIG. 13 is a top front right perspective exploded view of the charging stand for electronic devices; FIG. 14 is a top rear left perspective view thereof; and, FIG. 15 is a top front right perspective view of the charging stand for electronic devices, shown in an environment of use.

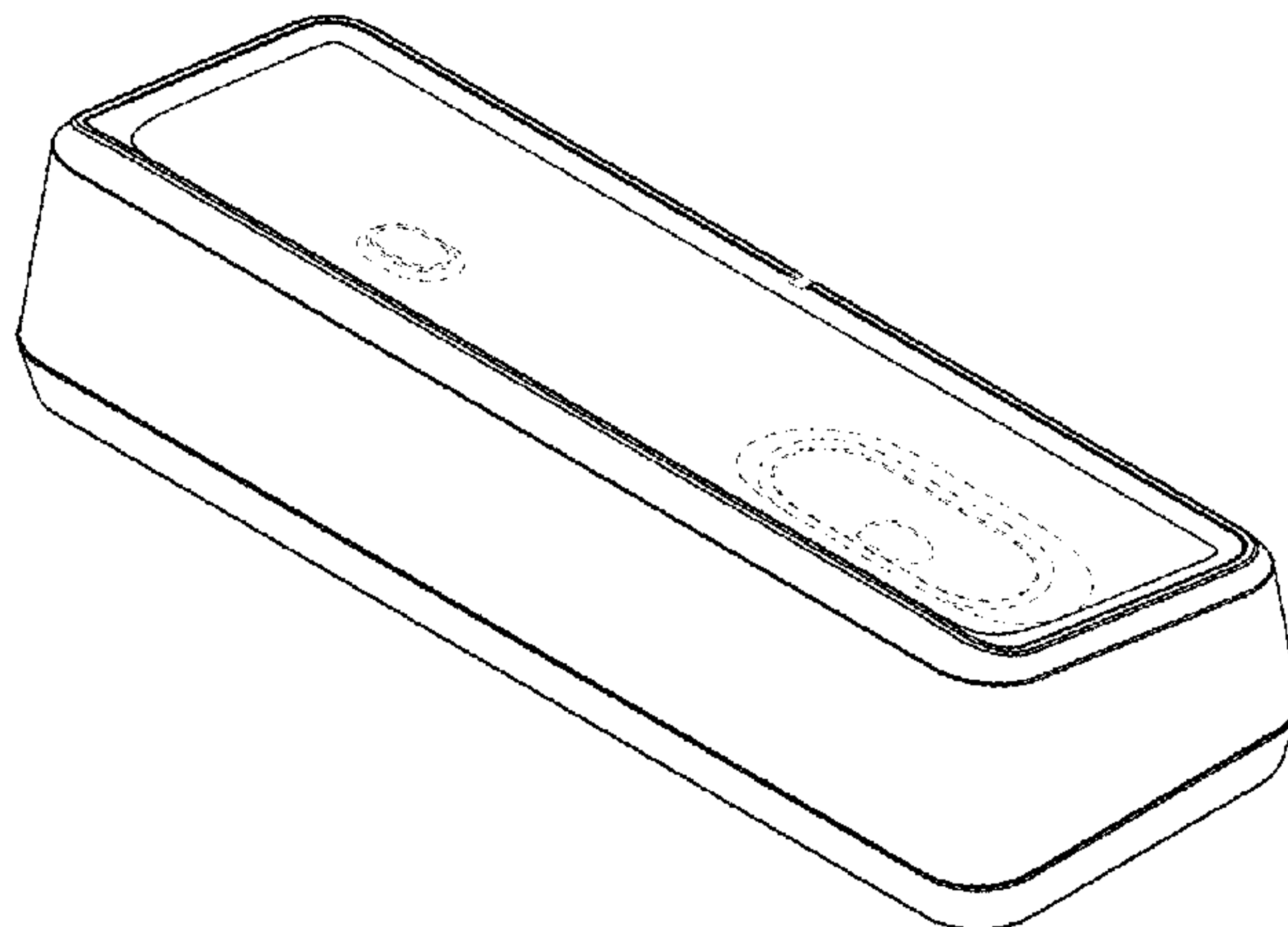
The broken lines in the figures represent portions of the article which form no part of the claimed design.

(56) **References Cited**

U.S. PATENT DOCUMENTS

D277,662 S 2/1985 Huntington et al.
D354,041 S 1/1995 Scheid et al.
D474,737 S 5/2003 Yoshida
D489,325 S 5/2004 Nakamura
D495,336 S 8/2004 Andre et al.
D523,847 S 6/2006 Naruki
D533,615 S 12/2006 Sisk et al.
D540,327 S 4/2007 Wong et al.

1 Claim, 15 Drawing Sheets



(56)

References Cited

U.S. PATENT DOCUMENTS

D631,006 S	1/2011	Fahrendorff	
D638,831 S	5/2011	Paradise	
D657,741 S	4/2012	Fahrendorff et al.	
D662,089 S	6/2012	Gougherty et al.	
D669,460 S *	10/2012	Wikel	D14/253
D669,461 S *	10/2012	Wikel	D14/253
D670,283 S *	11/2012	Wikel	D14/253
D674,392 S	1/2013	Cheng et al.	
D675,155 S	1/2013	Smith et al.	
D676,377 S *	2/2013	Nokuo	D13/108
D685,321 S *	7/2013	Smith	D13/108
D686,595 S	7/2013	Andre et al.	
D692,009 S *	10/2013	Ashida	D14/447
D702,664 S *	4/2014	Kim	D14/217
D705,158 S	5/2014	Gengler	
D721,649 S *	1/2015	Tsai	D13/108
D730,888 S	6/2015	Malsan	
D733,143 S *	6/2015	Yun	D14/434
D734,384 S *	7/2015	Han	D14/253
D757,013 S *	5/2016	Sale	D14/434
D765,623 S	9/2016	Yang et al.	
D779,493 S	2/2017	Eliyahu	
D782,411 S	3/2017	Mischke et al.	
D791,699 S	7/2017	Watanabe	
D795,876 S	8/2017	Fletcher et al.	
D797,669 S	9/2017	Chang	
D798,867 S	10/2017	Carnevali	
D800,060 S	10/2017	Solland et al.	
D801,344 S *	10/2017	Zurschmiede	D14/447

* cited by examiner

FIG. 1

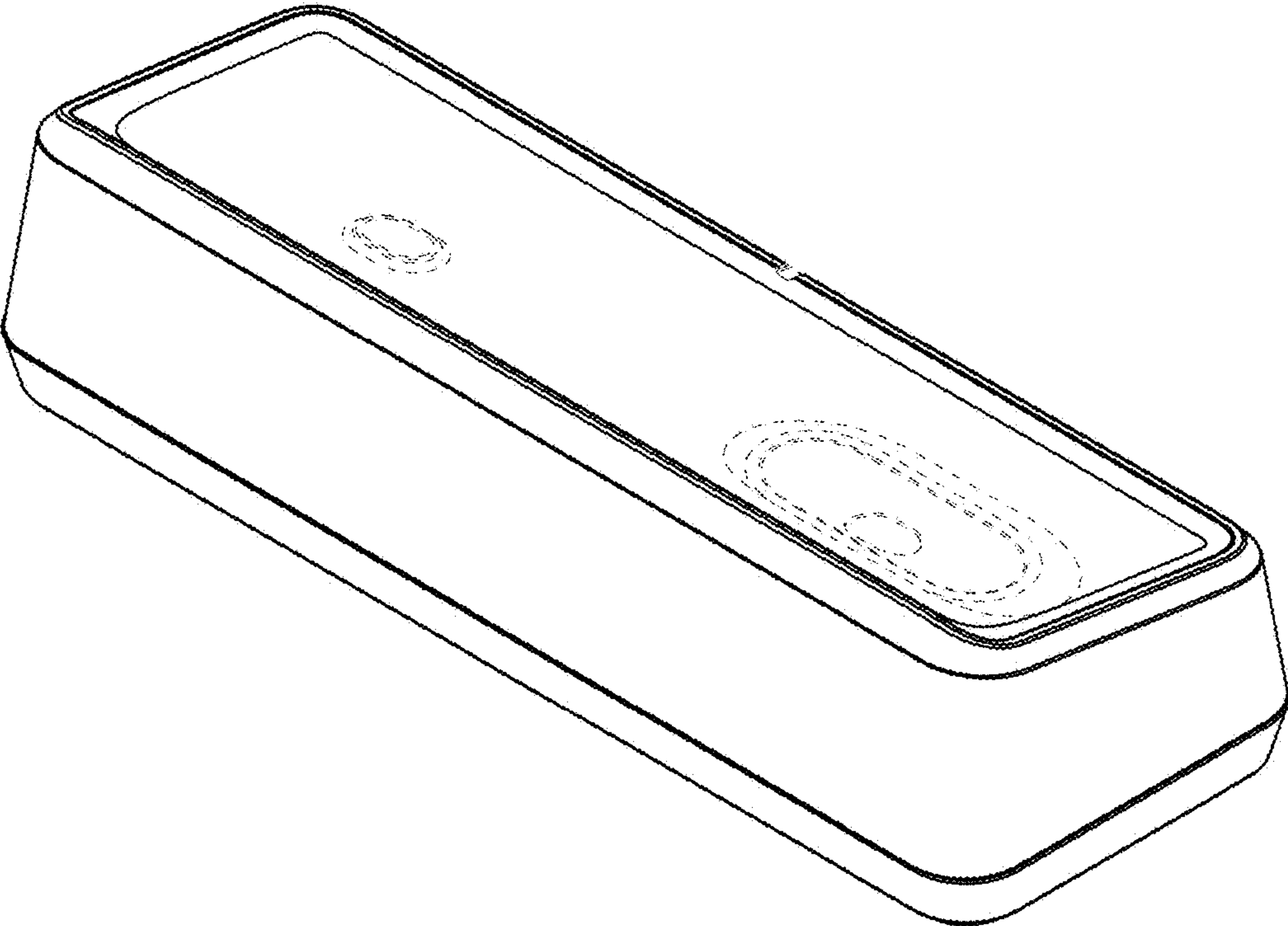


FIG. 2

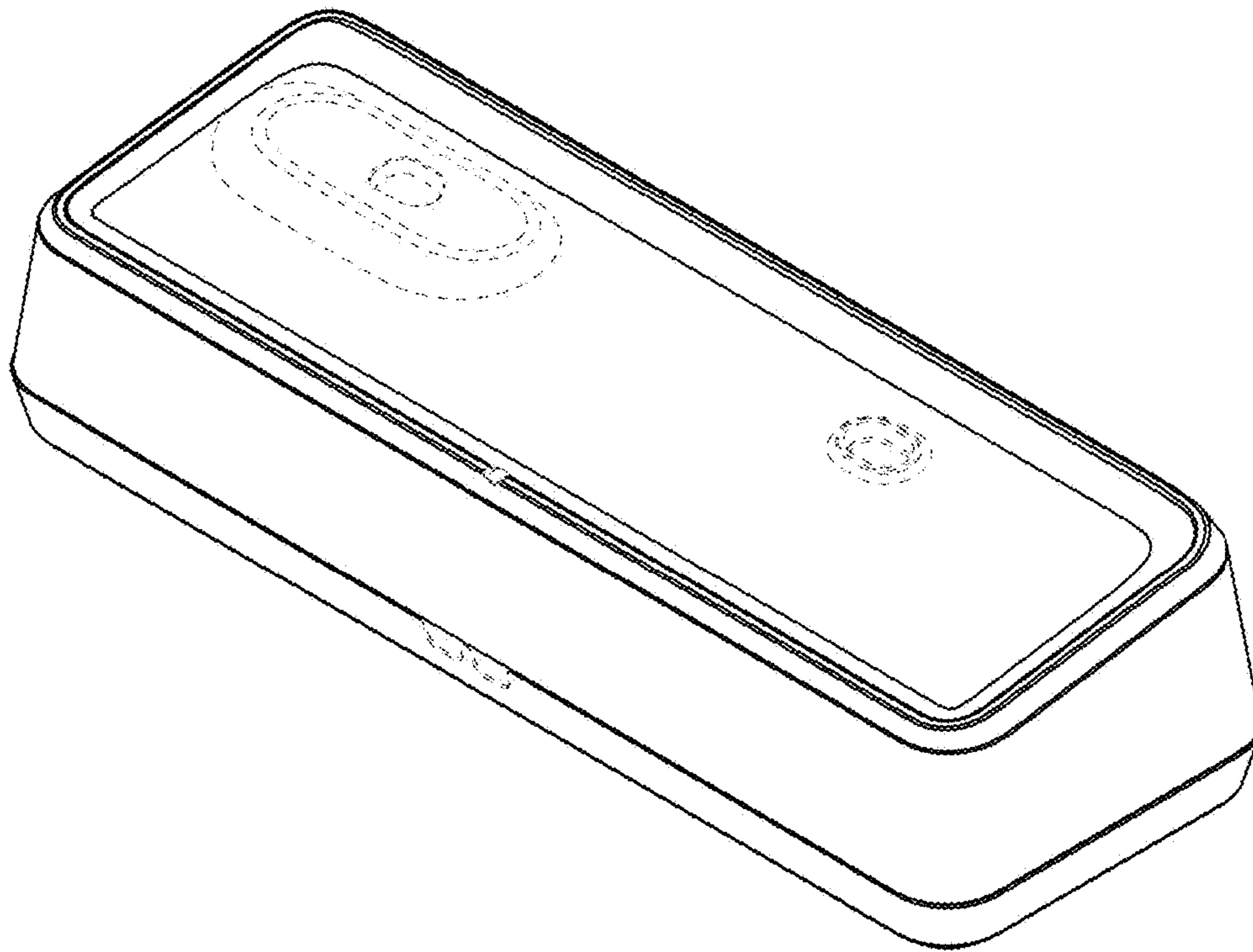


FIG. 3

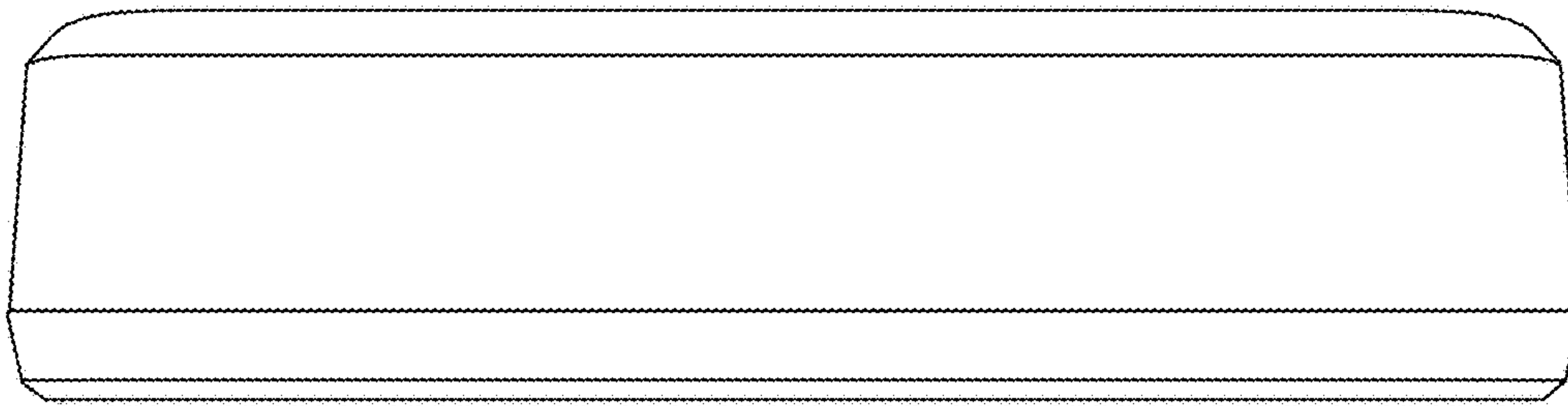


FIG. 4

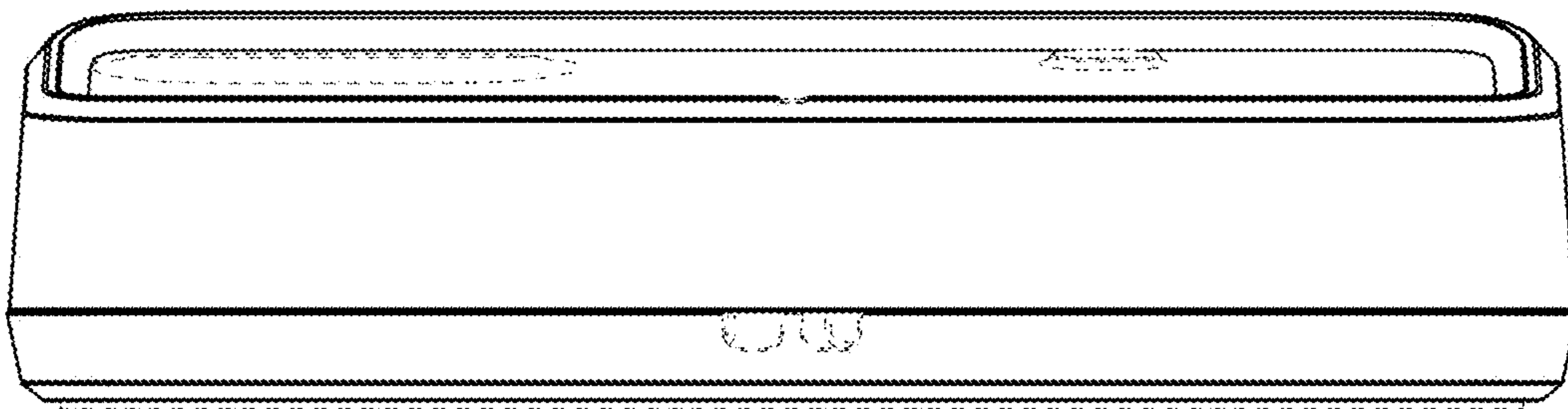


FIG. 5

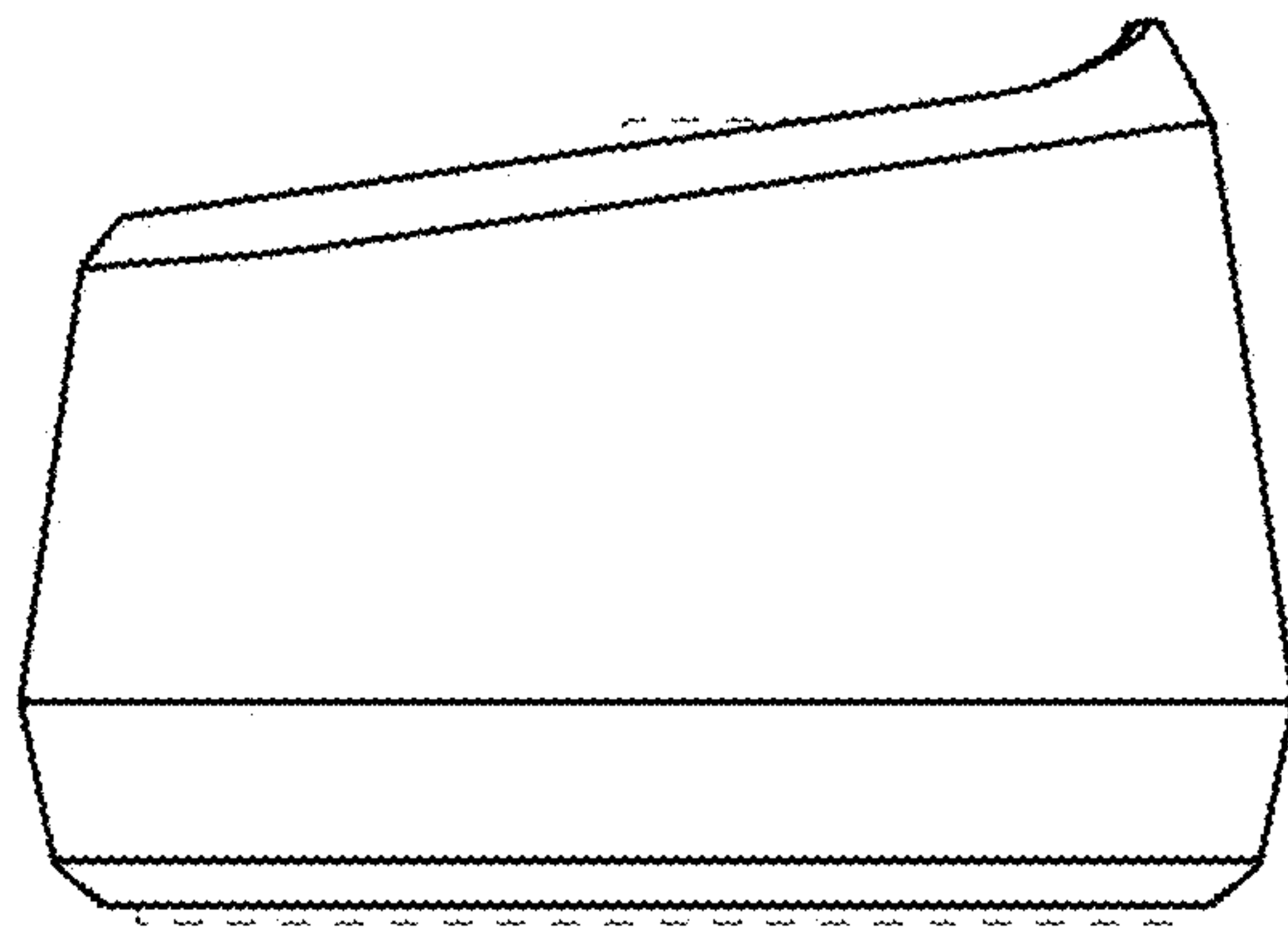


FIG. 6

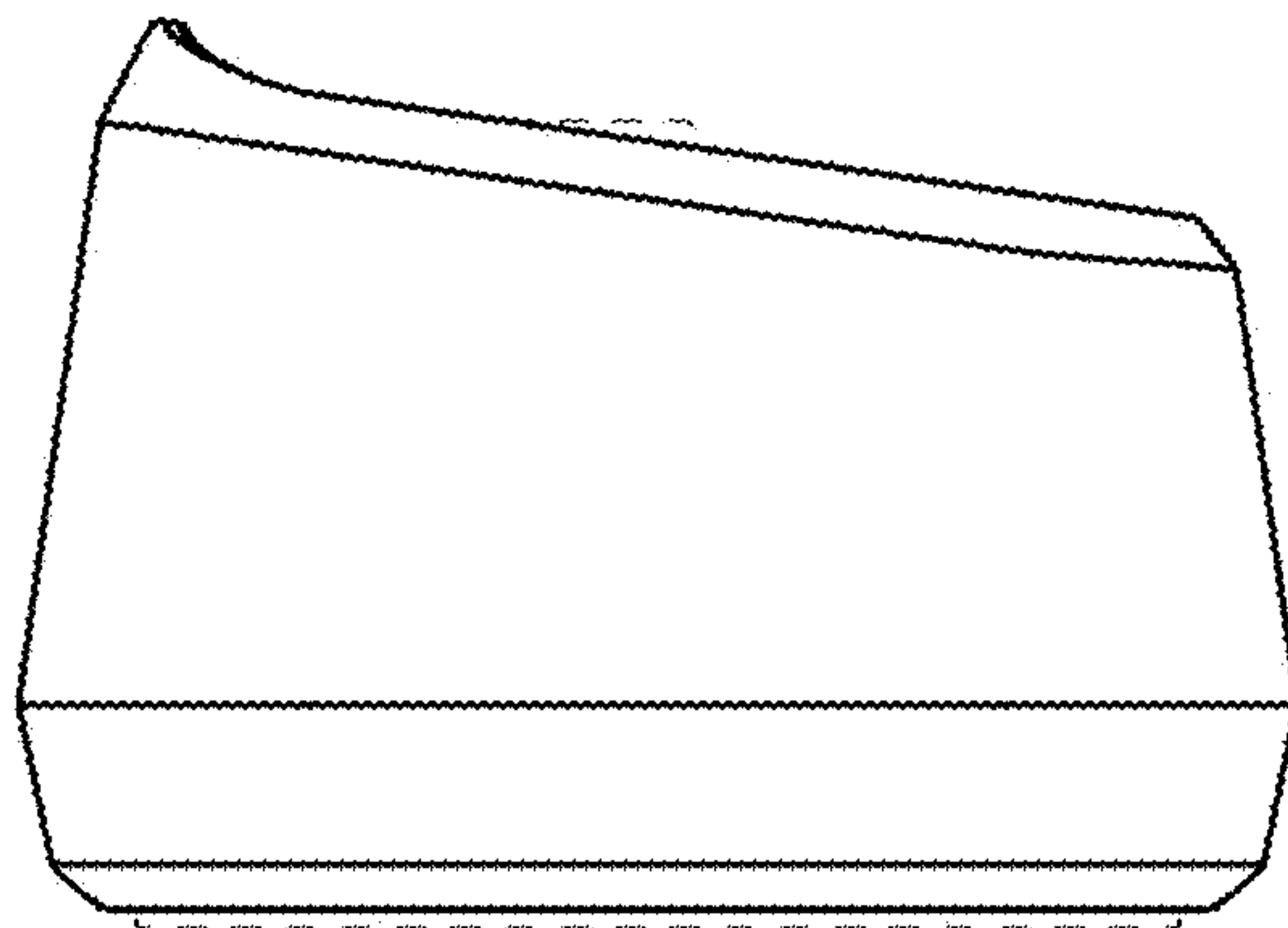


FIG. 7

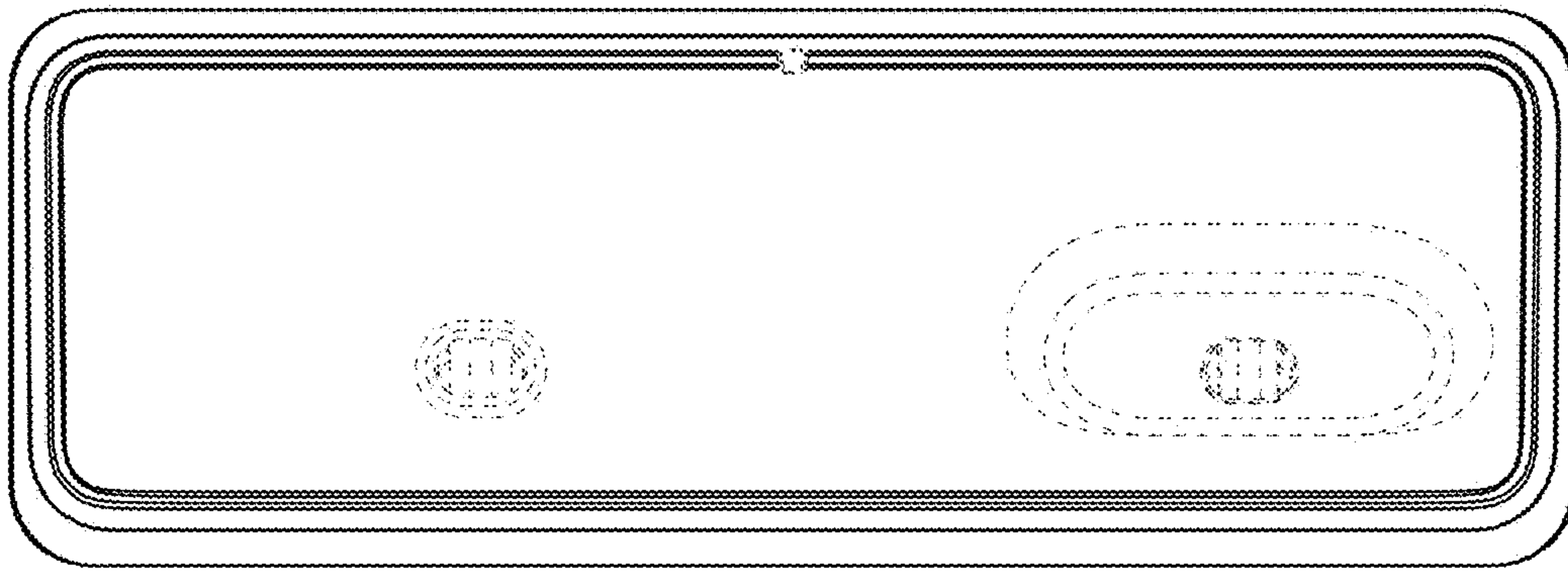


FIG. 8

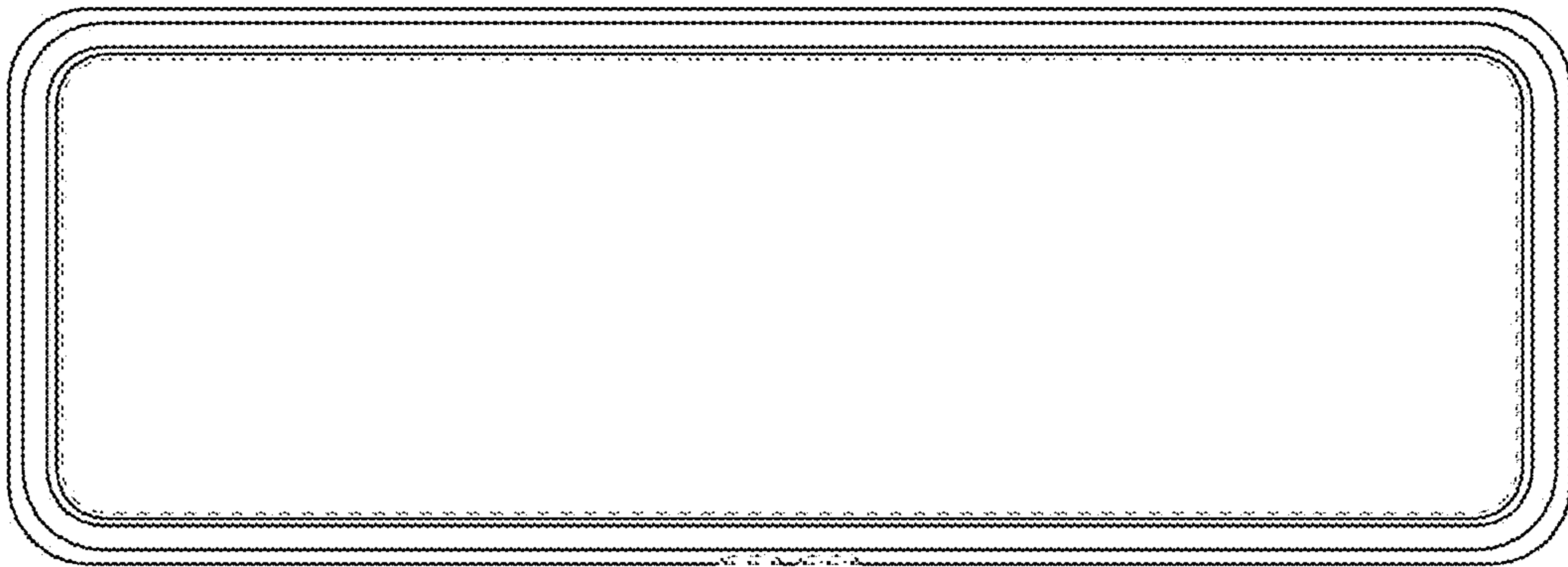


FIG. 9

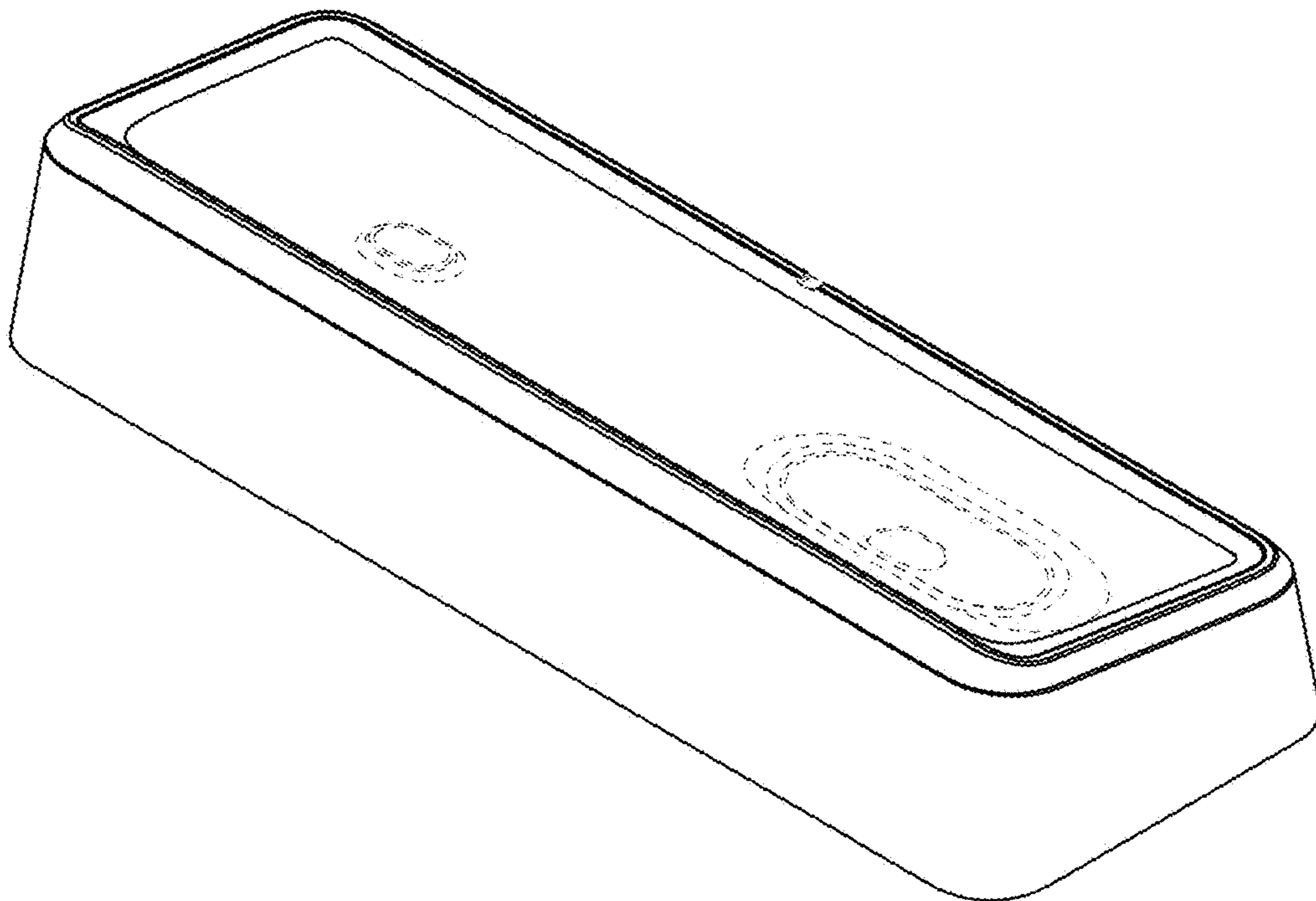


FIG. 10

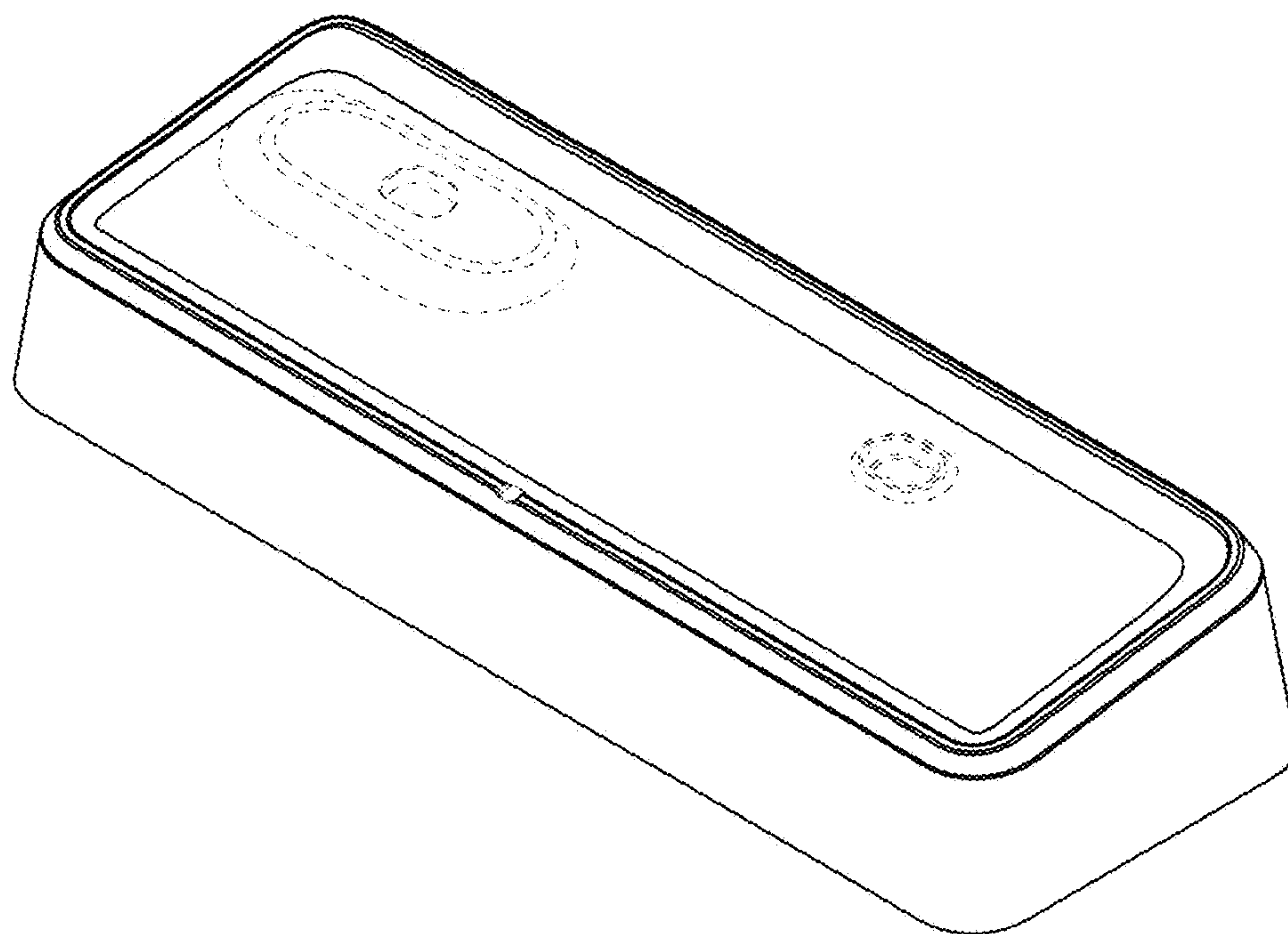


FIG. 11

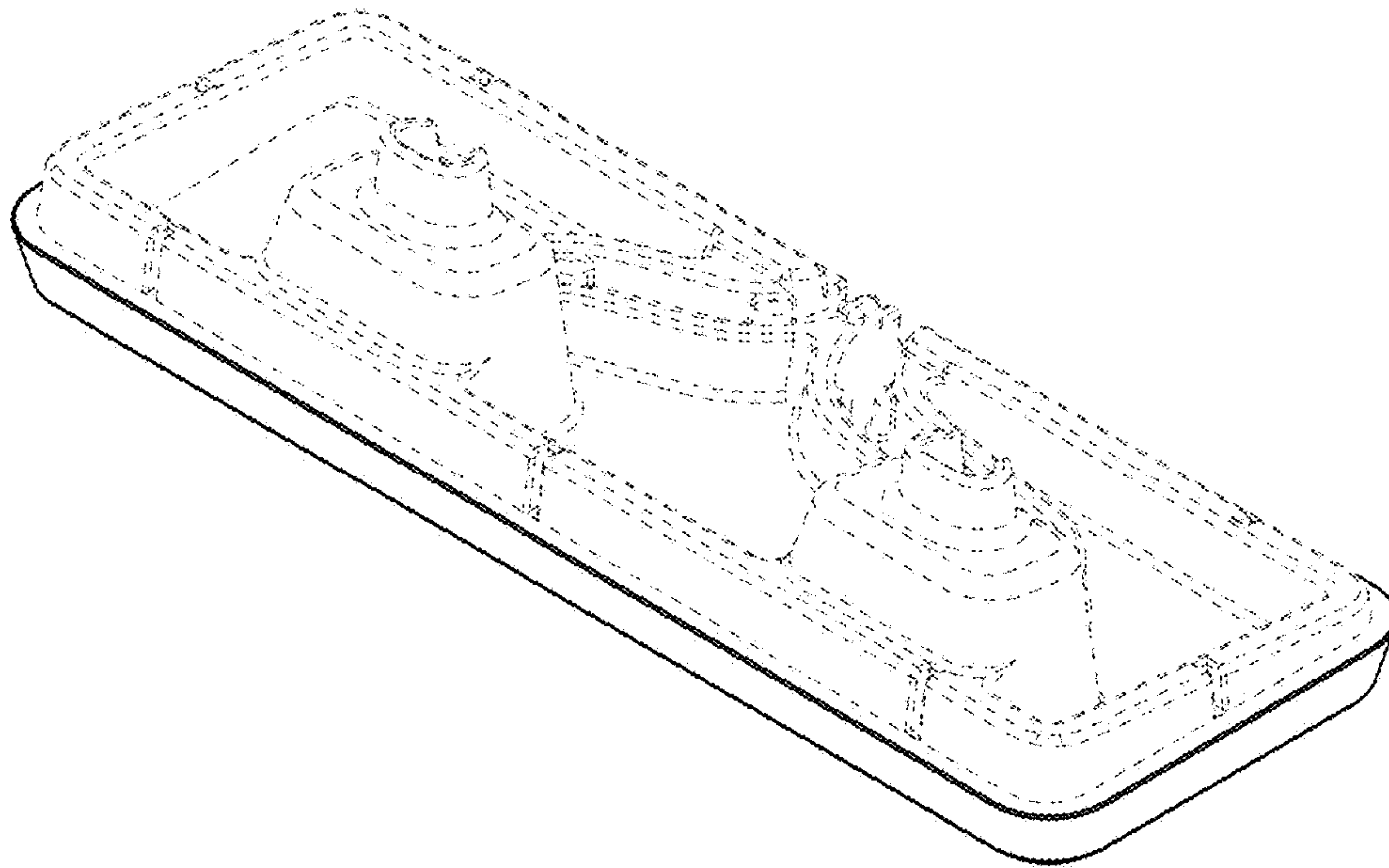


FIG. 12

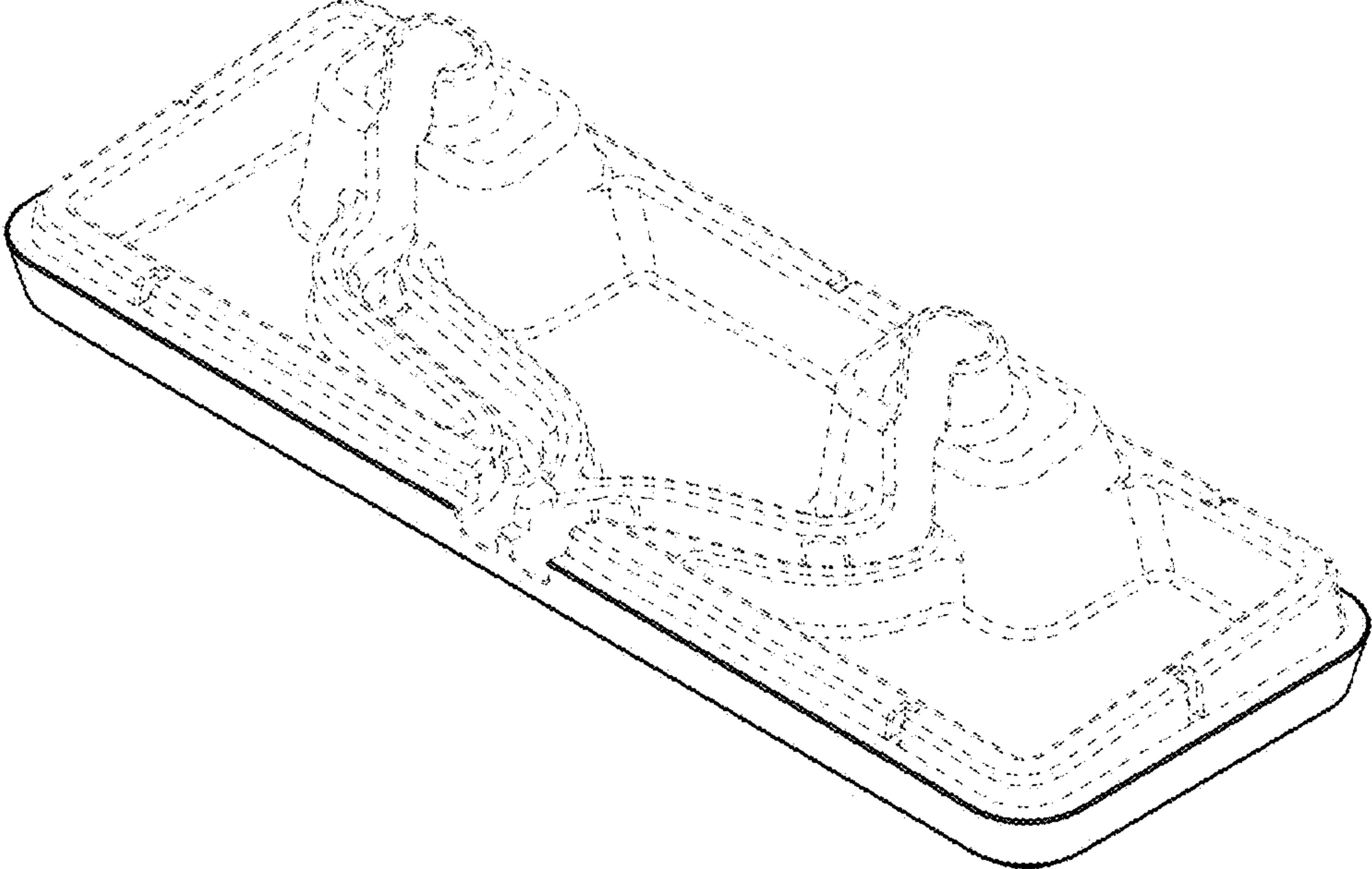


FIG. 13

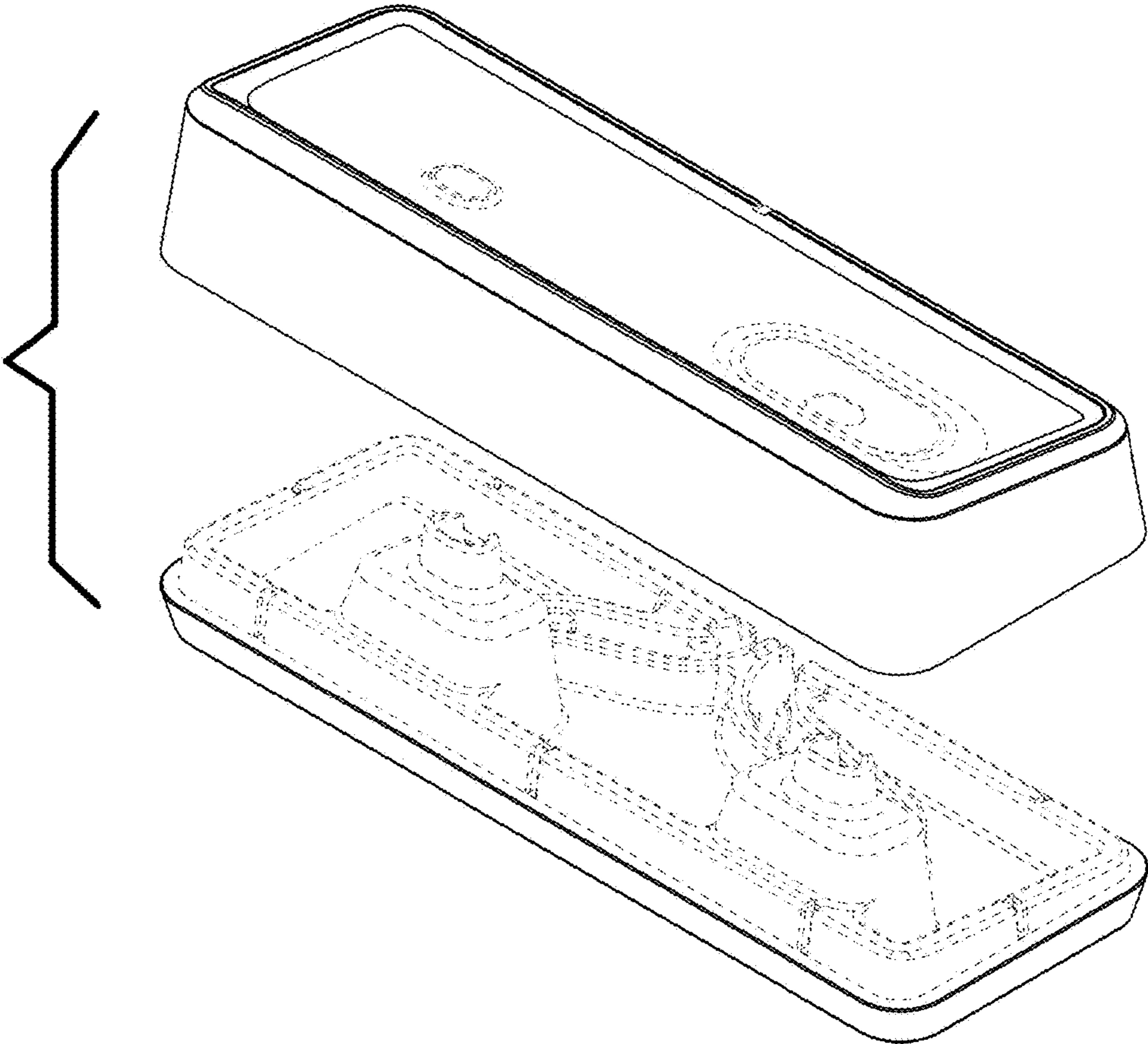


FIG. 14

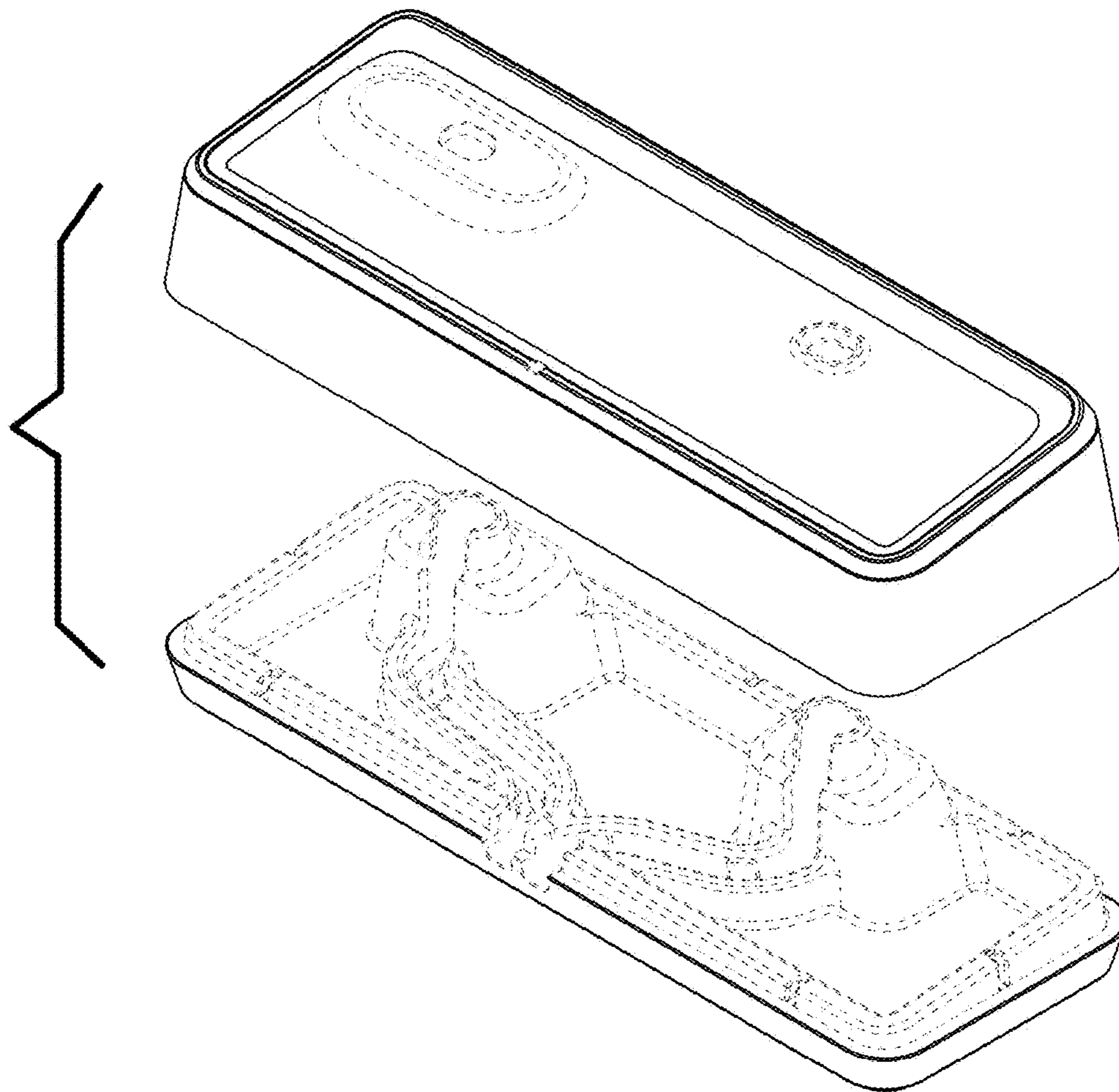


FIG. 15

