

US00D833965S

(12) **United States Design Patent**
Shimomura

(10) **Patent No.:** **US D833,965 S**

(45) **Date of Patent:** **** Nov. 20, 2018**

(54) **TIRE**

(71) Applicant: **Toyo Tire & Rubber Co., Ltd.**,
Osaka-shi, Osaka (JP)

(72) Inventor: **Kazuo Shimomura**, Osaka (JP)

(73) Assignee: **Toyo Tire & Rubber Co., Ltd.**, Osaka
(JP)

(**) Term: **15 Years**

(21) Appl. No.: **29/596,961**

(22) Filed: **Mar. 13, 2017**

(30) **Foreign Application Priority Data**

Dec. 13, 2016 (JP) 2016-026980

(51) **LOC (11) Cl.** **12-15**

(52) **U.S. Cl.**
USPC **D12/585**; D12/590

(58) **Field of Classification Search**
USPC D12/570, 582, 583, 584, 585, 596, 597,
D12/598, 602, 603
CPC B60C 11/03; B60C 2011/0344
See application file for complete search history.

(56) **References Cited**

U.S. PATENT DOCUMENTS

1,360,907 A * 11/1920 Ernenwein B60C 7/00
152/324
D470,101 S * 2/2003 Heinen D12/584

D683,694 S * 6/2013 Yonetsu D12/585
D738,295 S * 9/2015 Kanamura D12/585
D762,563 S * 8/2016 Kanamura D12/601
D766,815 S * 9/2016 Shima D12/585
D780,669 S * 3/2017 Takahashi D12/518

FOREIGN PATENT DOCUMENTS

JP 1320229 S 1/2008
JP 1394256 S 8/2010

* cited by examiner

Primary Examiner — Robert M. Spear

(74) *Attorney, Agent, or Firm* — Sterne, Kessler,
Goldstein & Fox P.L.L.C.

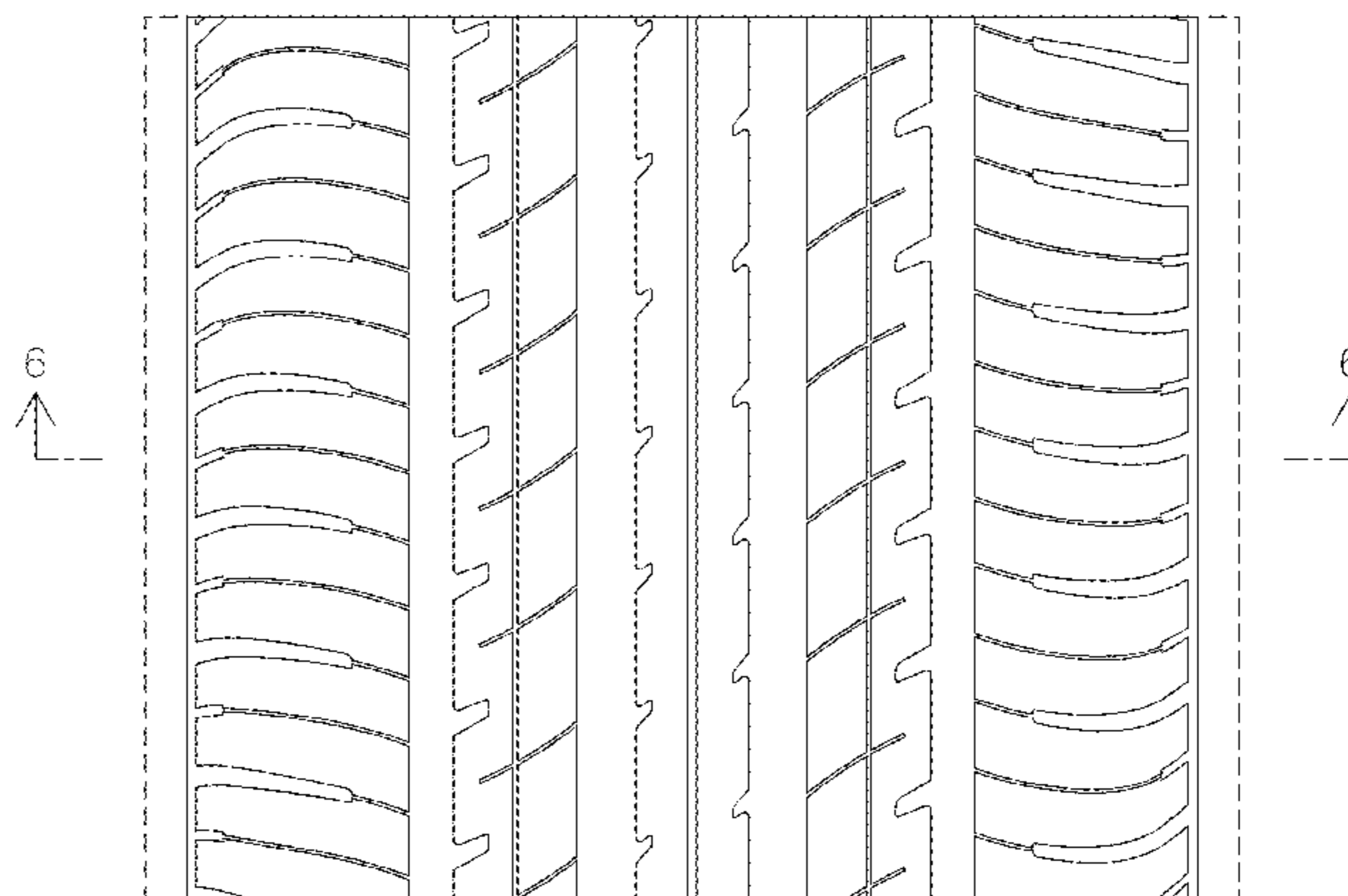
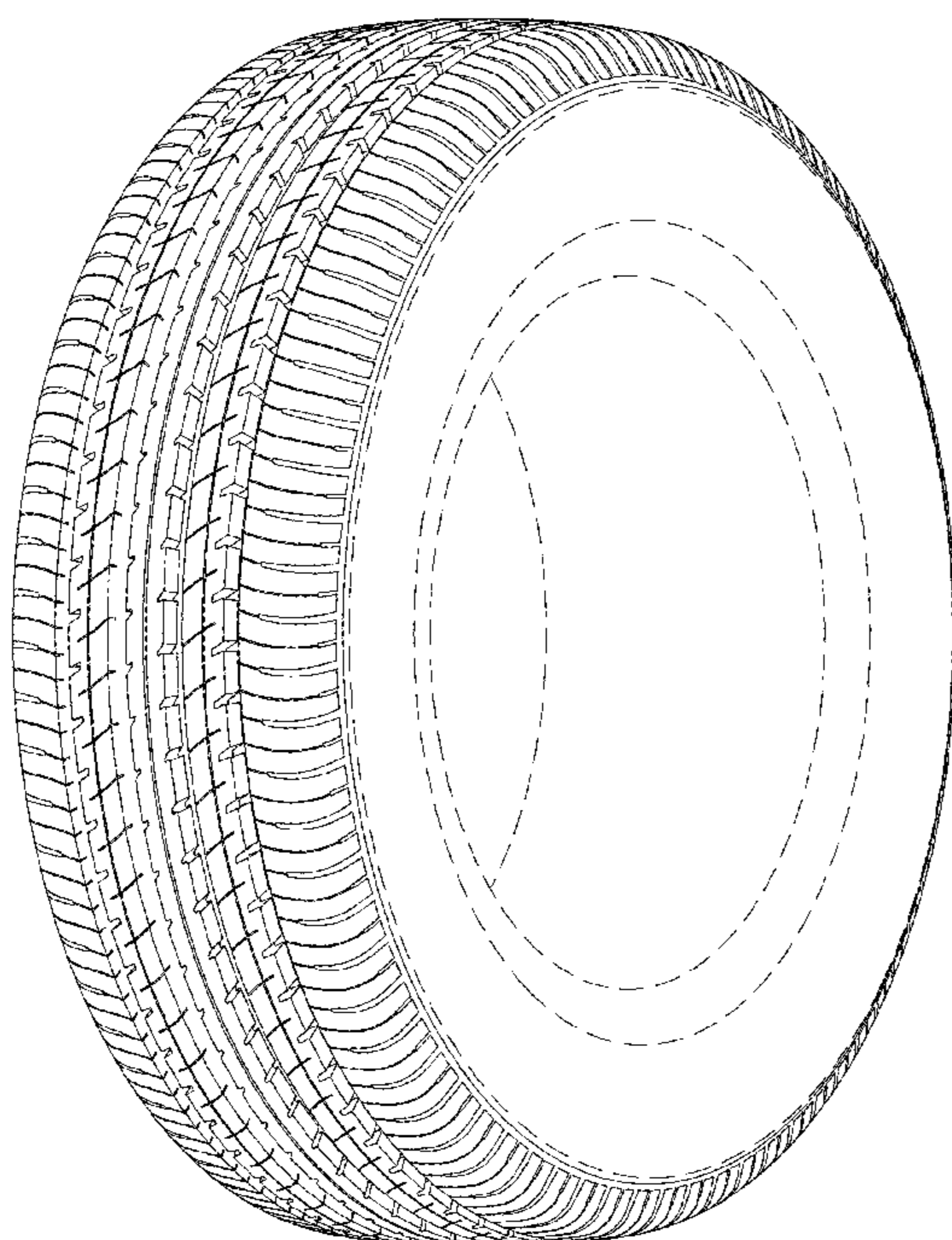
(57) **CLAIM**

The ornamental design for a tire, as shown and described.

DESCRIPTION

FIG. 1 is a front perspective view of a tire showing the claimed design;
FIG. 2 is a front view thereof, the rear view being the same;
FIG. 3 is a top plan view thereof, the bottom plan view being the same;
FIG. 4 is a right side view thereof, the left side view being the same;
FIG. 5 is an enlarged view of the portion between 5-5 and 5'-5' in FIG.2; and,
FIG. 6 is an enlarged cross-sectional view taken along line 6-6 in FIG. 5.
In the drawings, the broken lines show portions of the tire that form no part of the claimed design.

1 Claim, 6 Drawing Sheets



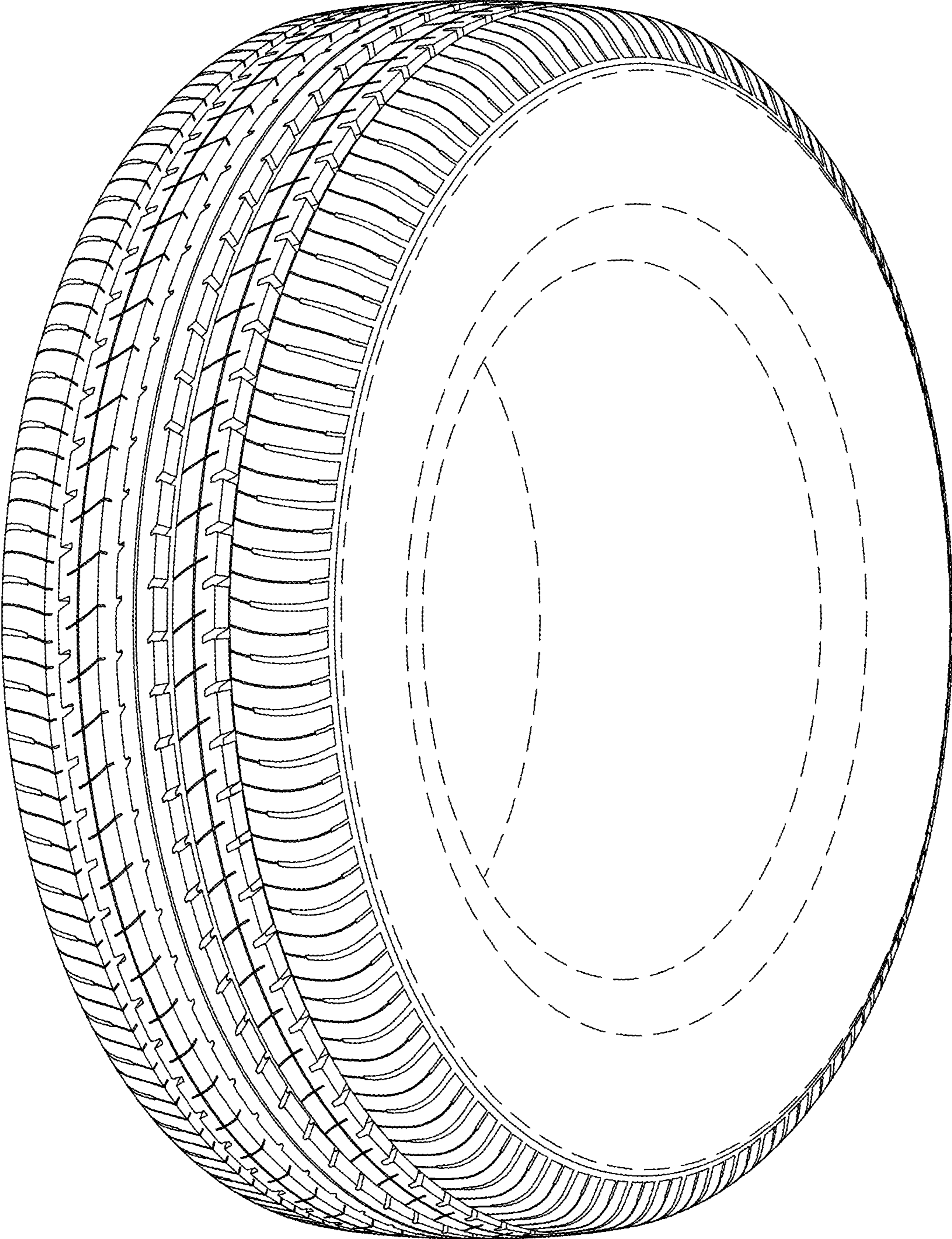


FIG. 1

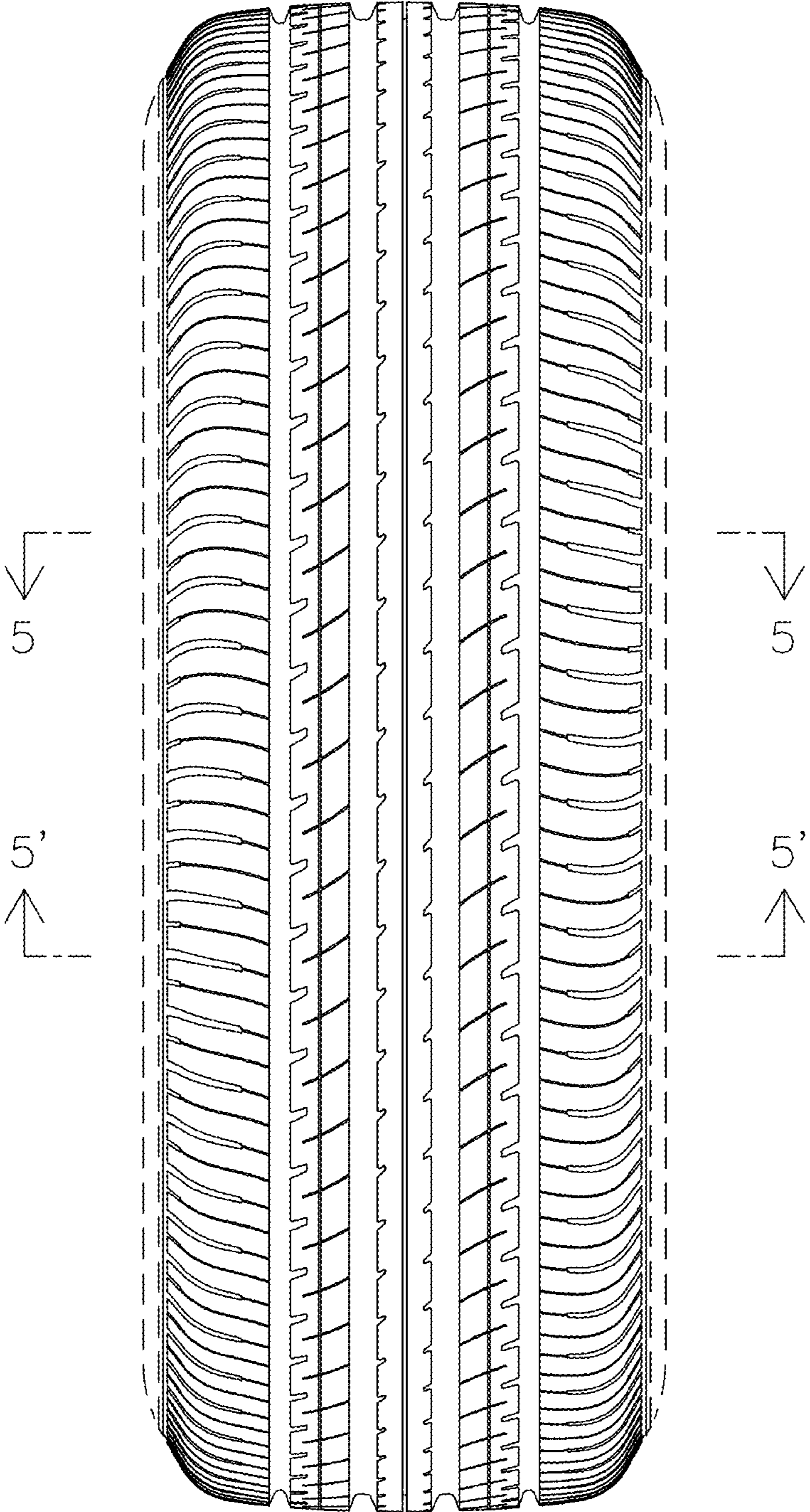


FIG. 2

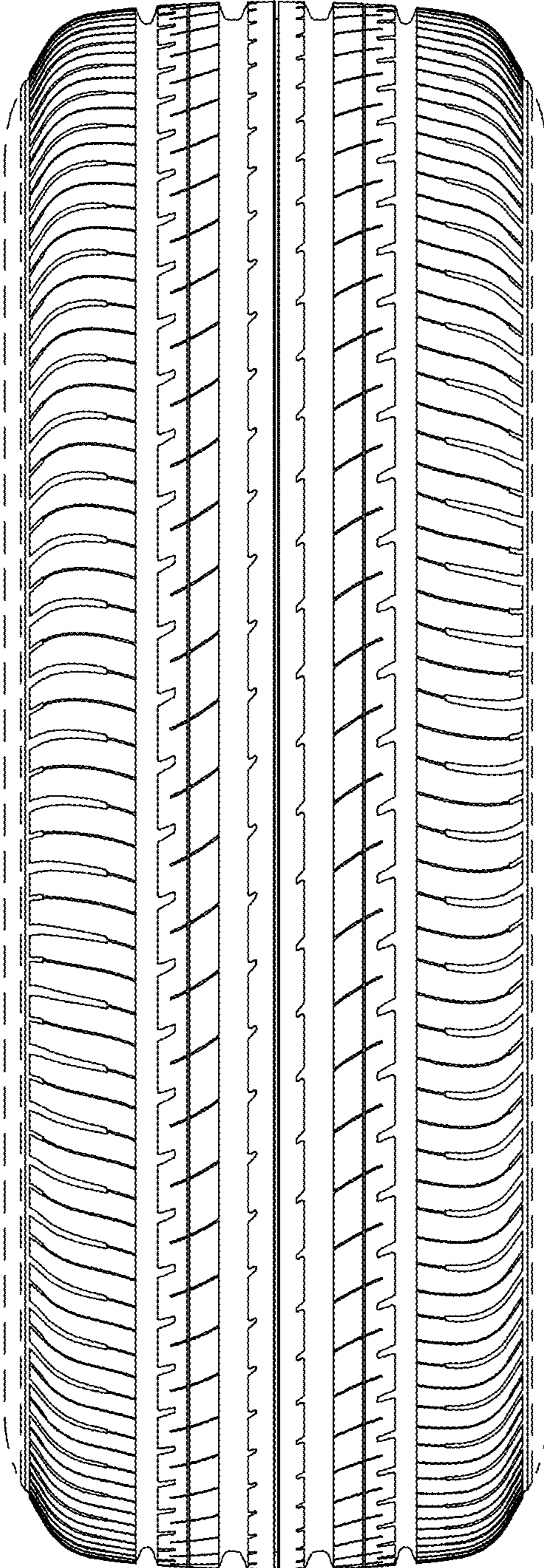


FIG. 3

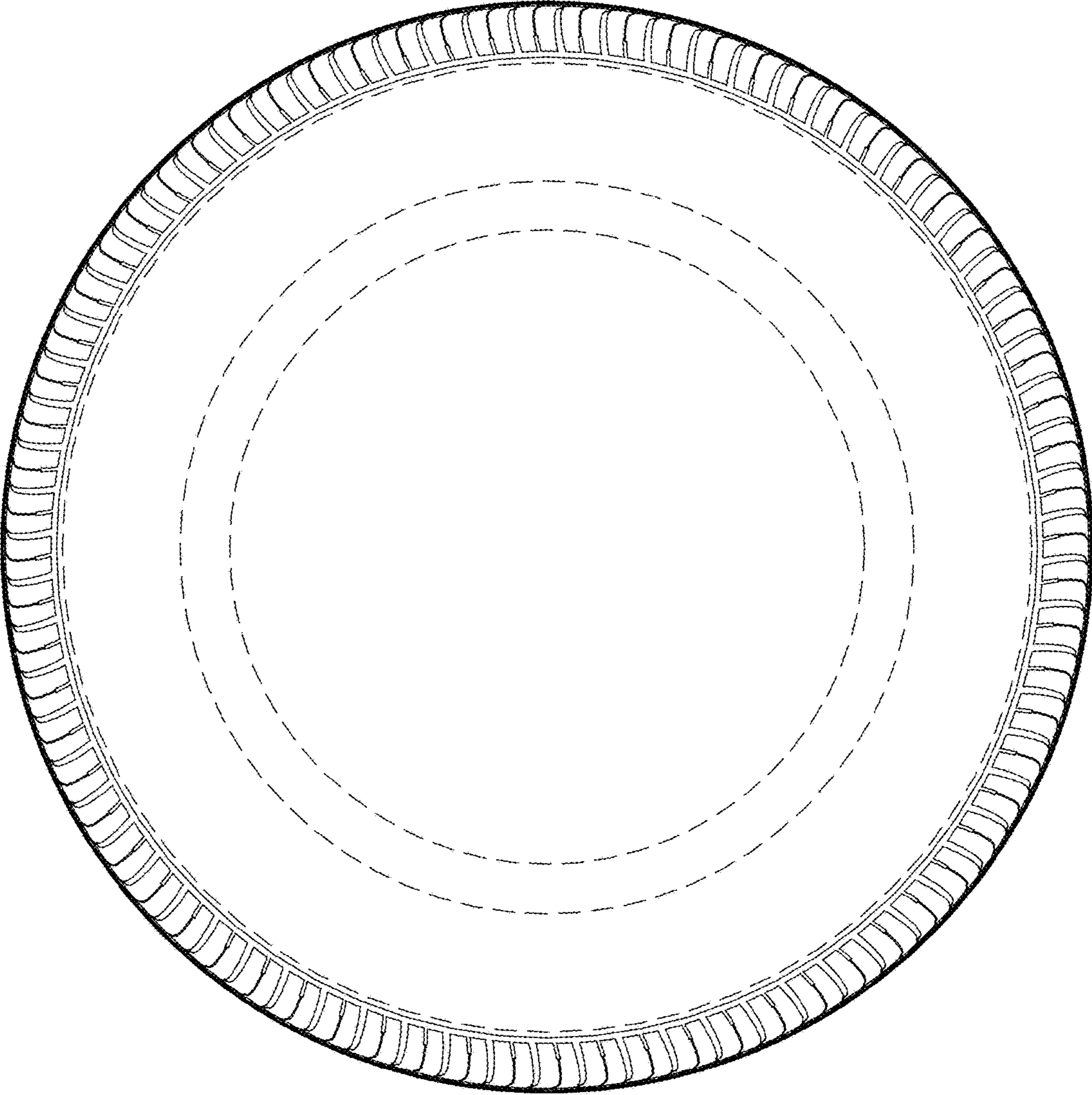


FIG. 4

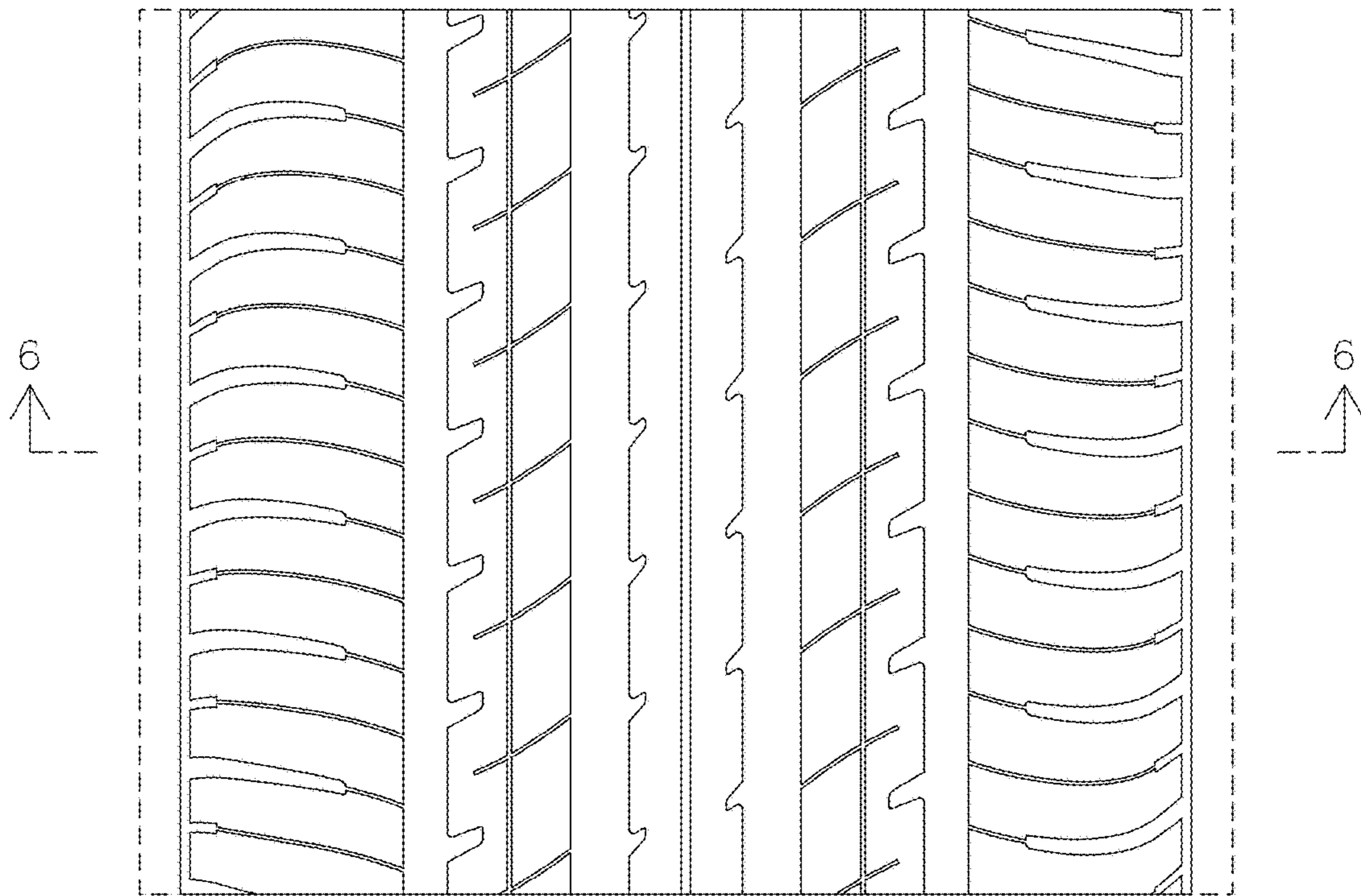


FIG. 5

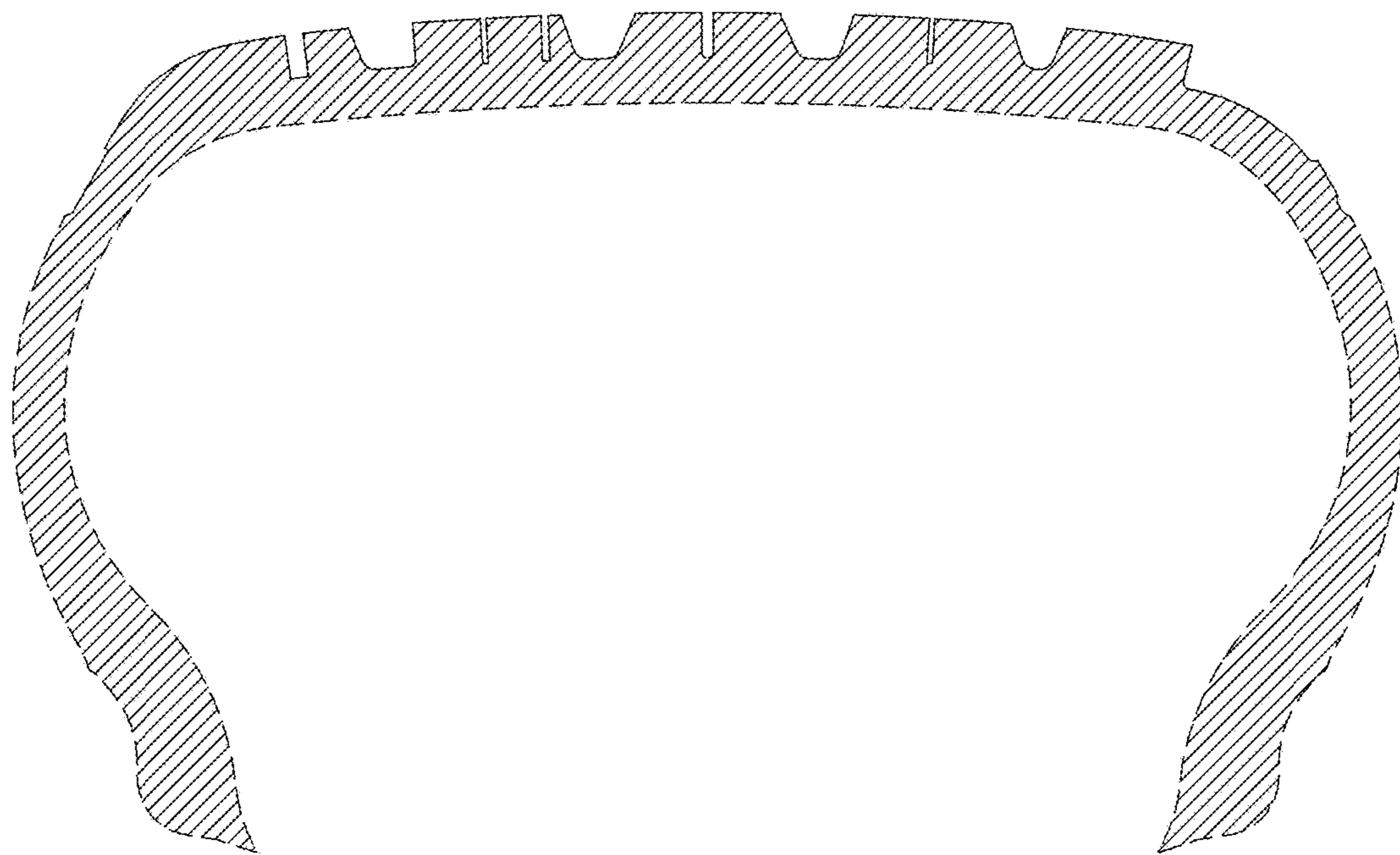


FIG. 6