



US00D833962S

(12) **United States Design Patent** (10) **Patent No.:** **US D833,962 S**  
**Nakamura et al.** (45) **Date of Patent:** **\*\* Nov. 20, 2018**

(54) **TIRE TREAD**  
(71) Applicant: **BRIDGESTONE CORPORATION**,  
Tokyo (JP)  
(72) Inventors: **Takamitsu Nakamura**, Tokyo (JP);  
**Takahiko Yamamoto**, Tokyo (JP)  
(73) Assignee: **BRIDGESTONE CORPORATION**,  
Tokyo (JP)

D577,658 S 9/2008 Murata  
D589,431 S \* 3/2009 Fontaine ..... D12/547  
D719,083 S 12/2014 Hayashi  
D730,271 S \* 5/2015 Lundgren ..... D12/585  
D738,810 S \* 9/2015 Boore ..... D12/549  
D763,173 S \* 8/2016 Wu ..... D12/549  
D775,061 S 12/2016 Ishiguro et al.

(Continued)

(\*\*) Term: **15 Years**  
(21) Appl. No.: **29/640,974**  
(22) Filed: **Mar. 19, 2018**

**FOREIGN PATENT DOCUMENTS**

JP 1330848 S 5/2008  
JP 1535194 S 10/2015  
JP 1559926 S 10/2016

**OTHER PUBLICATIONS**

Office Action of Japanese Patent Application No. 2016-015873,  
dated Oct. 18, 2016.

(Continued)

**Related U.S. Application Data**

(62) Division of application No. 29/591,658, filed on Jan.  
23, 2017, now Pat. No. Des. 816,015.

*Primary Examiner* — George D. Kirschbaum

*Assistant Examiner* — Joseph J Kukella

(74) *Attorney, Agent, or Firm* — Sughrue Mion, PLLC

(30) **Foreign Application Priority Data**

Jul. 26, 2016 (JP) ..... 2016-015873  
Jul. 26, 2016 (JP) ..... 2016-015874

(57) **CLAIM**

The ornamental design for a tire tread, as shown and  
described.

(51) **LOC (11) Cl.** ..... **12-15**  
(52) **U.S. Cl.**  
USPC ..... **D12/549**

**DESCRIPTION**

(58) **Field of Classification Search**  
USPC ..... D12/533–567  
CPC ..... B60C 11/0302; B60C 2011/0358; B60C  
2011/0374; B60C 2011/0386; B60C  
2011/0388  
See application file for complete search history.

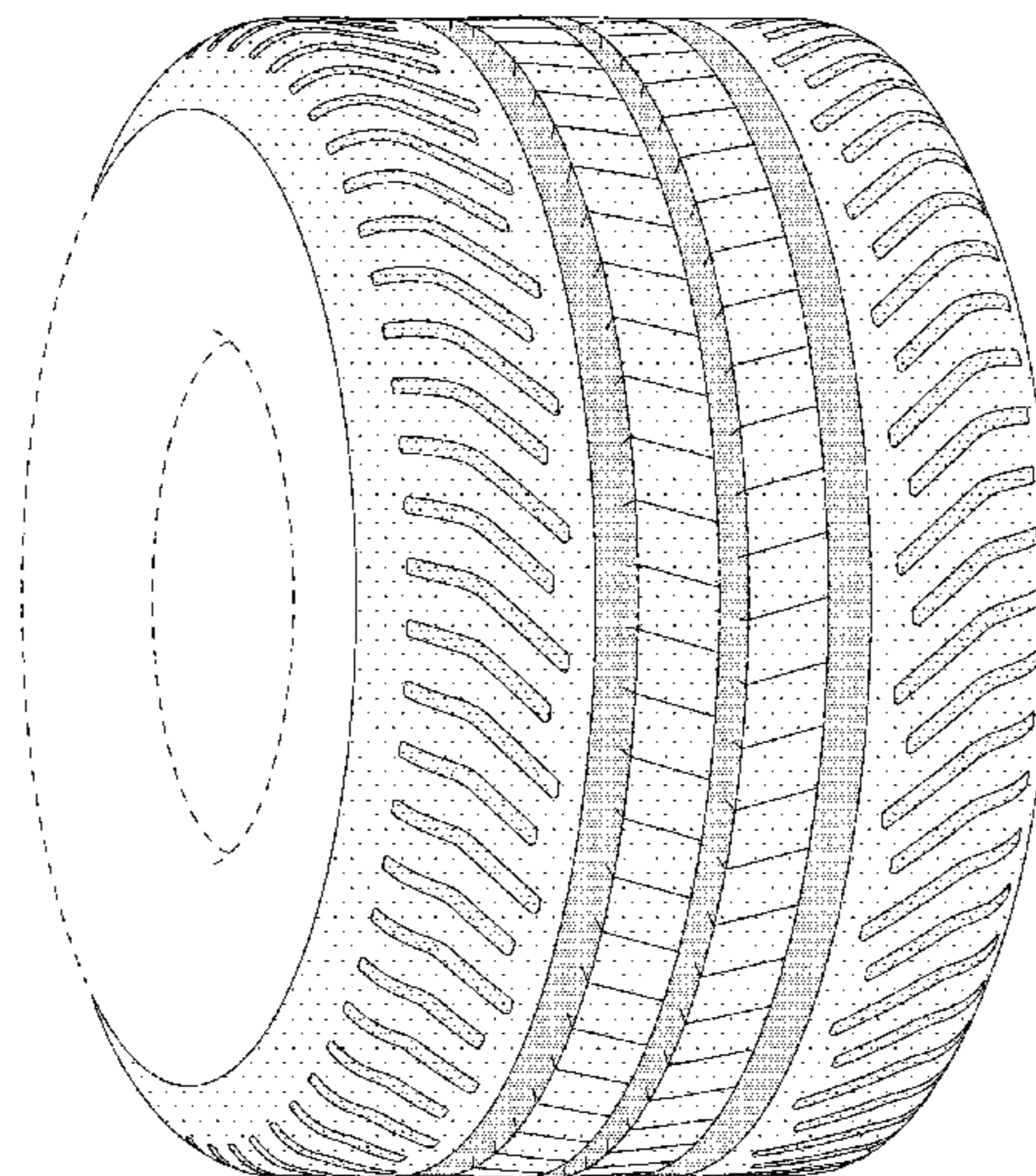
FIG. 1 is a perspective view of a tire tread showing our  
design;  
FIG. 2 is a front view thereof;  
FIG. 3 is a top view thereof;  
FIG. 4 is a right side view thereof;  
FIG. 5 is a fragmentary enlarged front view showing the  
details of the tread thereof; and,  
FIG. 6 is a section view taken along line 6-6 in FIG. 5.  
The broken lines are used to show portions of the tire tread  
that are not being claimed, and thus form no part of the  
claimed design.

(56) **References Cited**

**U.S. PATENT DOCUMENTS**

D313,582 S \* 1/1991 Tsutsumi ..... D12/550  
D365,051 S 12/1995 Brayer et al.  
D512,959 S 12/2005 Fukunaga  
D533,132 S 12/2006 Fontaine et al.

**1 Claim, 6 Drawing Sheets**



(56)

**References Cited**

U.S. PATENT DOCUMENTS

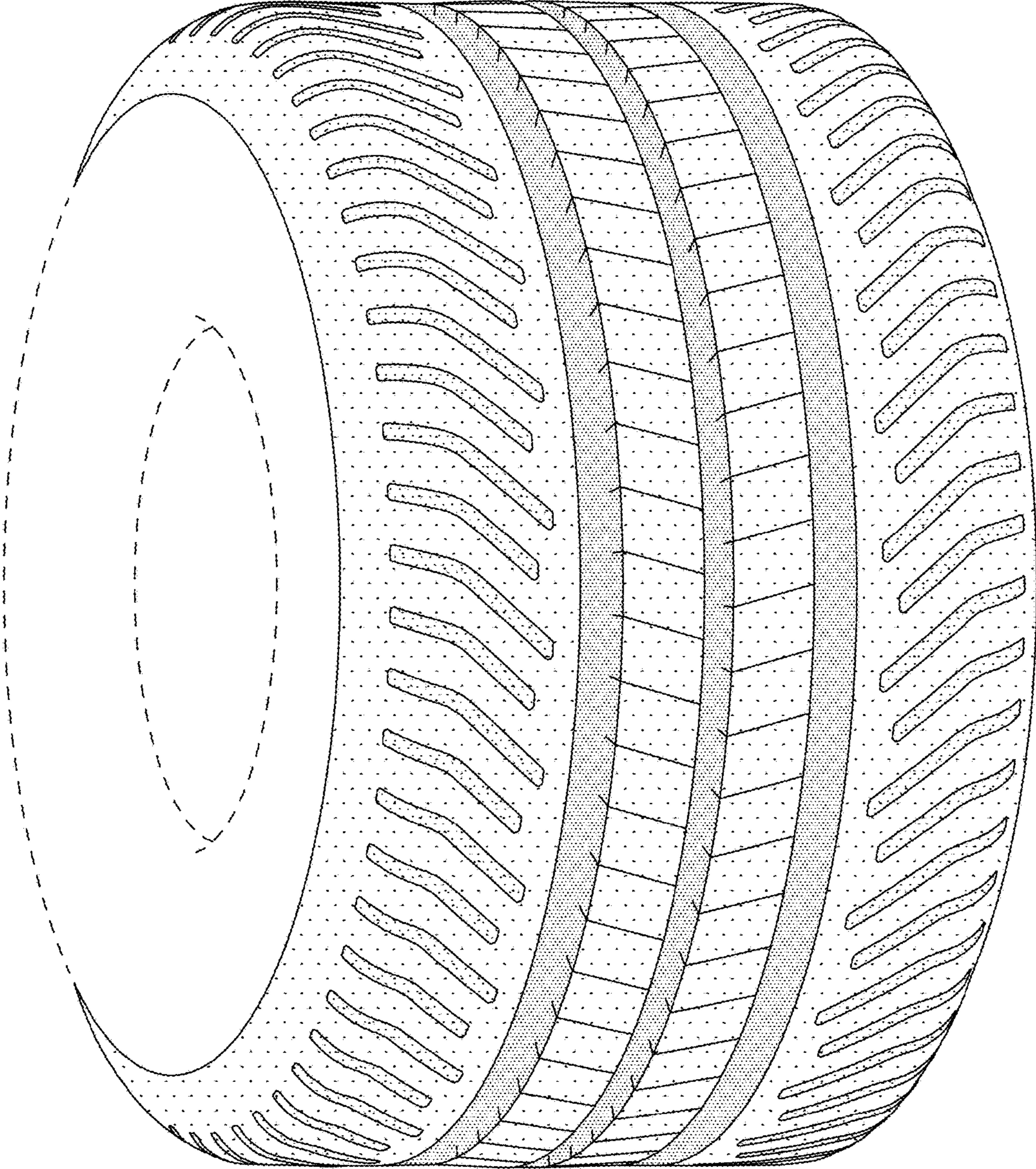
D781,777 S     3/2017 Hayashi  
D785,548 S     5/2017 Fukunaga et al.  
D790,443 S     6/2017 Perrier et al.  
D816,015 S \*  4/2018 Nakamura ..... D12/553

OTHER PUBLICATIONS

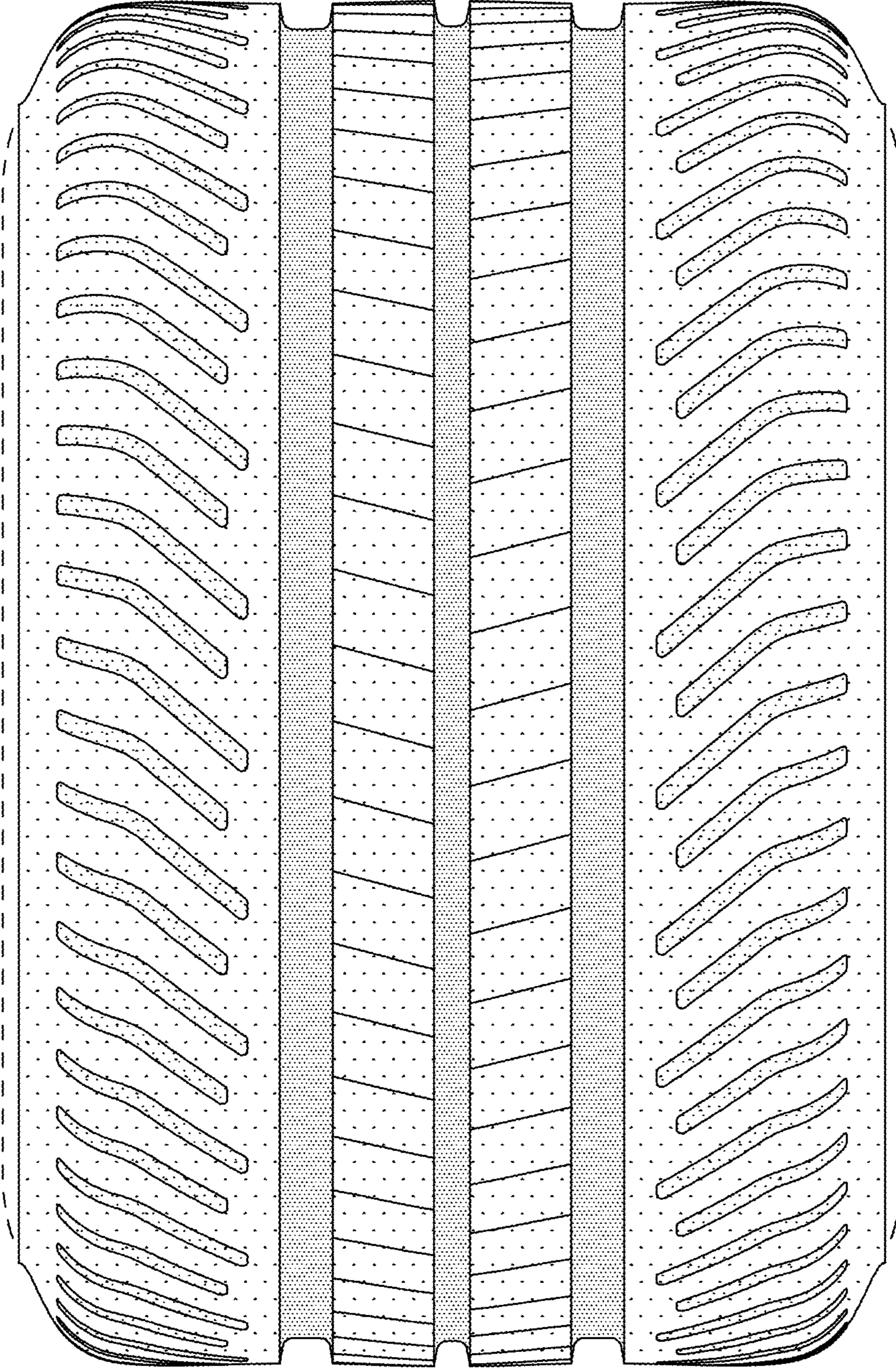
Notice of Allowance dated Feb. 2, 2018 issued in U.S. Appl. No.  
29/591,658.

\* cited by examiner

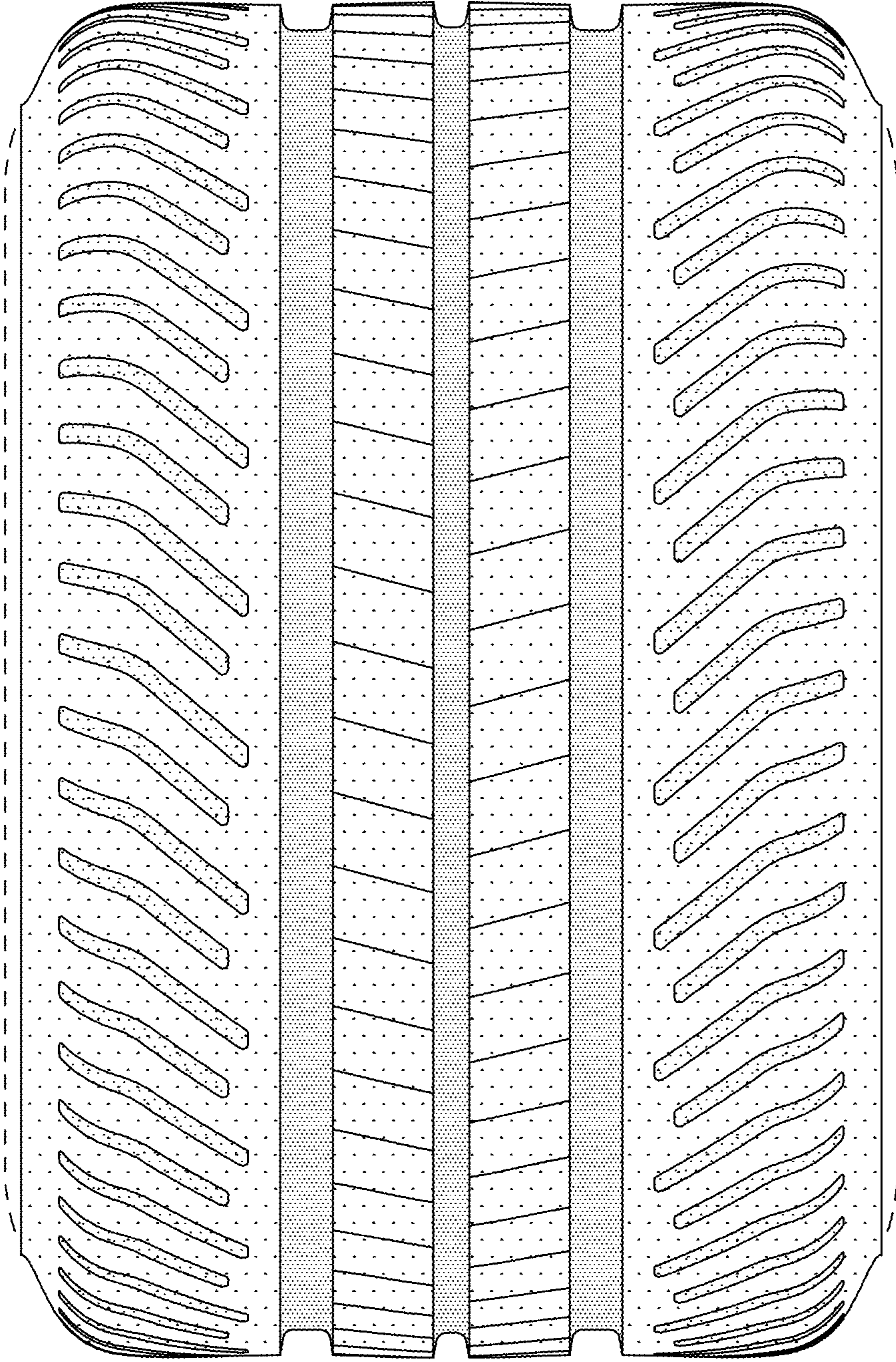
*FIG. 1*



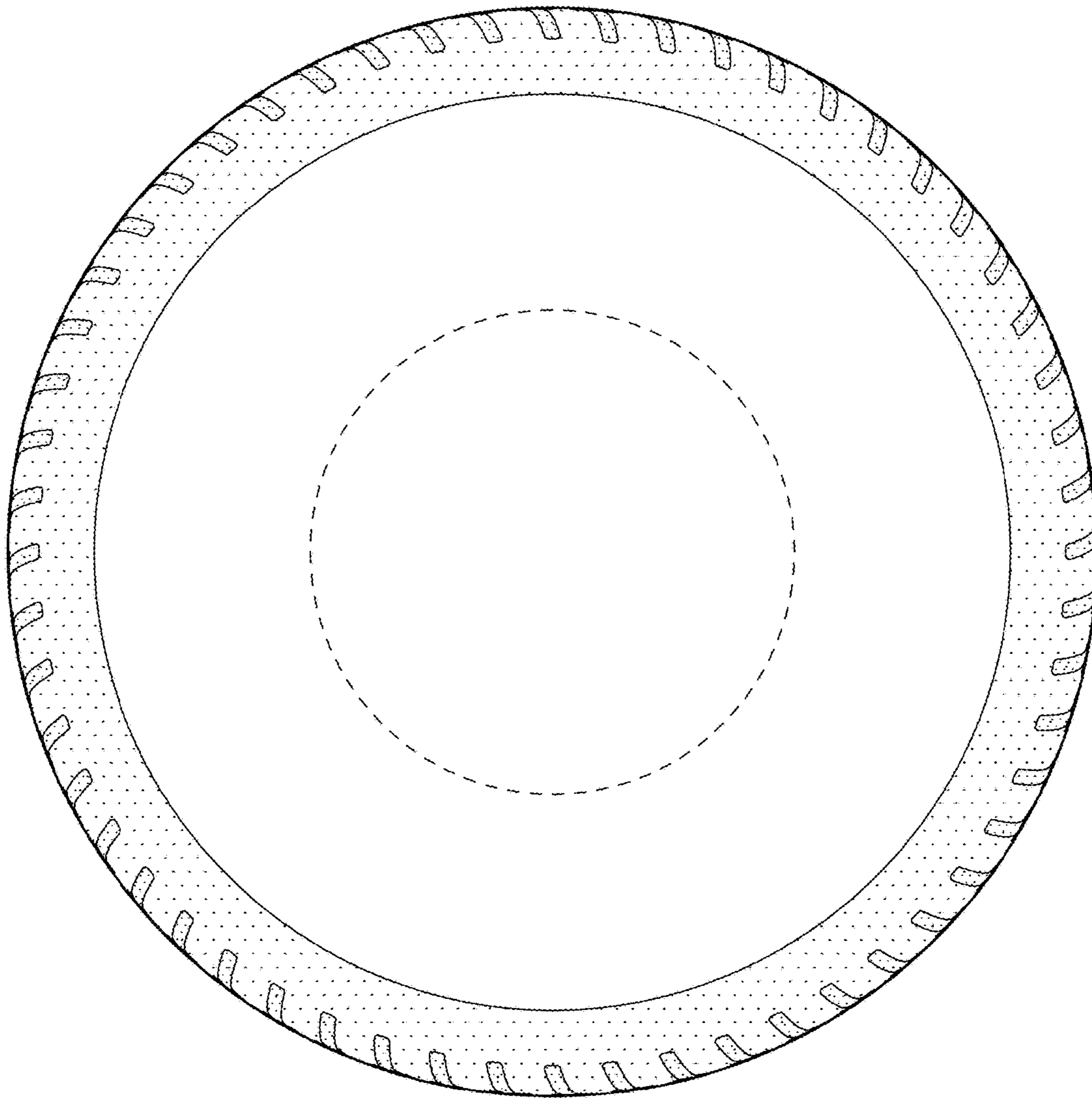
*FIG. 2*



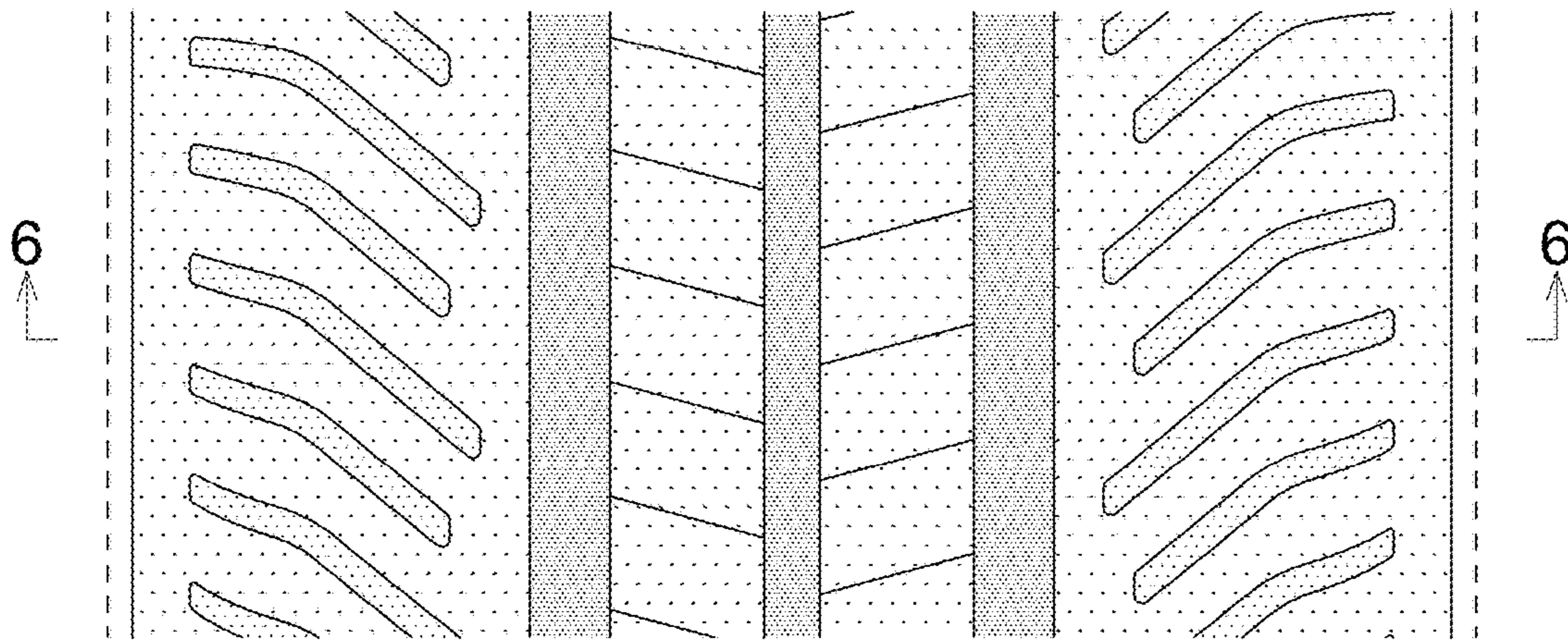
*FIG. 3*



*FIG. 4*



*FIG. 5*



*FIG. 6*

