



US00D833957S

(12) **United States Design Patent** (10) **Patent No.:** **US D833,957 S**
DiCanzio (45) **Date of Patent:** **** Nov. 20, 2018**

(54) **ROCK SLIDERS WITH LIGHTS**
(71) Applicant: **Turn 5, Inc.**, Malvern, PA (US)
(72) Inventor: **Michael DiCanzio**, West Chester, PA (US)
(73) Assignee: **Turn 5, Inc.**, Paoli, PA (US)
(**) Term: **15 Years**
(21) Appl. No.: **29/613,267**
(22) Filed: **Aug. 9, 2017**
(51) **LOC (11) Cl.** **12-16**
(52) **U.S. Cl.**
USPC **D12/414**
(58) **Field of Classification Search**
USPC D12/414, 406-413, 414.1; D32/35, 58;
D6/317-319, 513-514
CPC B60R 9/00; B60R 2011/0042
See application file for complete search history.

D577,327 S * 9/2008 Jung D12/412
D746,761 S * 1/2016 Cagampang D12/414
D765,578 S * 9/2016 Cobb D12/414
D768,556 S * 10/2016 McFadden D12/414
D769,790 S * 10/2016 McFadden D12/414

* cited by examiner

Primary Examiner — Katrina A Betton
(74) *Attorney, Agent, or Firm* — Schott, P.C.

(57) **CLAIM**

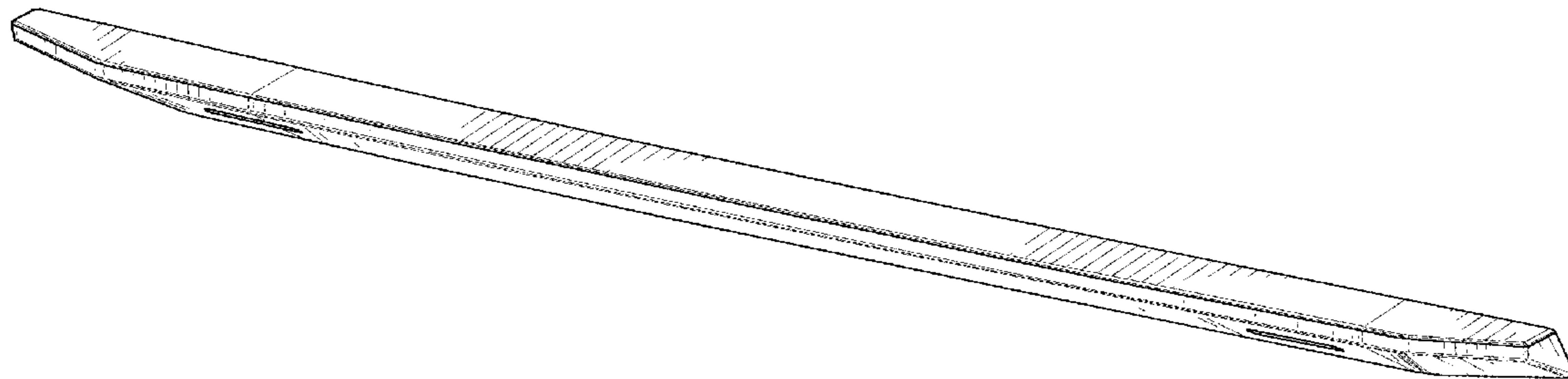
The ornamental design for the rock sliders with lights, as shown and described.

DESCRIPTION

FIG. 1 is a perspective view of the rock sliders with lights of the present invention, with an understanding that mirror images are possible;
FIG. 2 is a perspective view thereof, in mirror image;
FIG. 3 is a front view thereof;
FIG. 4 is a rear view thereof;
FIG. 5 is a top view thereof;
FIG. 6 is a bottom view thereof;
FIG. 7 is a front elevation view thereof;
FIG. 8 is a rear elevation view thereof; and,
FIG. 9 is a perspective view thereof in a potential environment.
The broken lines illustrate the design's environment and form no part of the claimed design.

1 Claim, 6 Drawing Sheets

(56) **References Cited**
U.S. PATENT DOCUMENTS
D319,810 S * 9/1991 Stapleton D12/412
5,704,678 A * 1/1998 Elwell B60R 13/04
280/770
6,309,006 B1 * 10/2001 Rippberger B60J 7/104
296/100.16



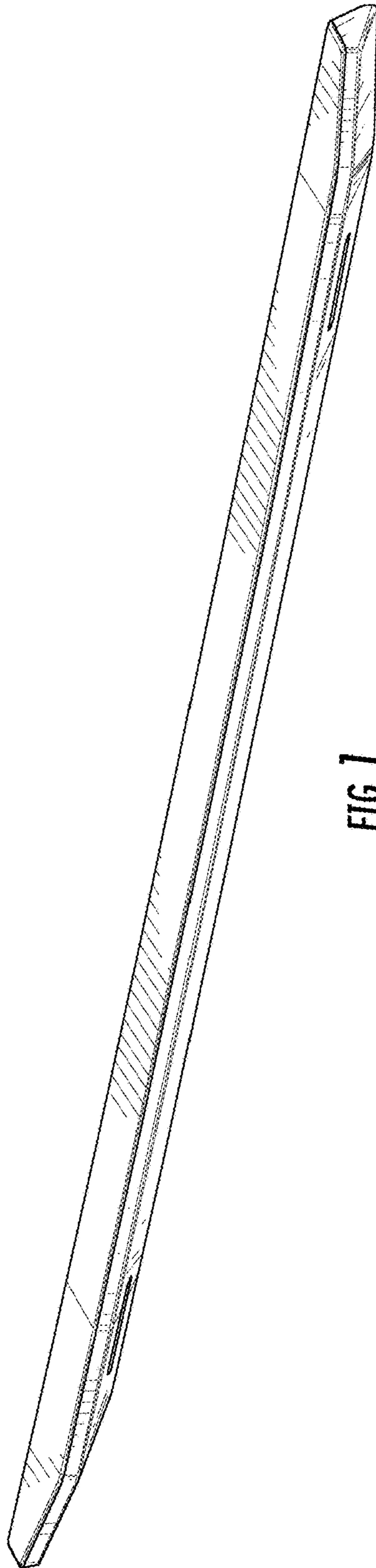


FIG. 1

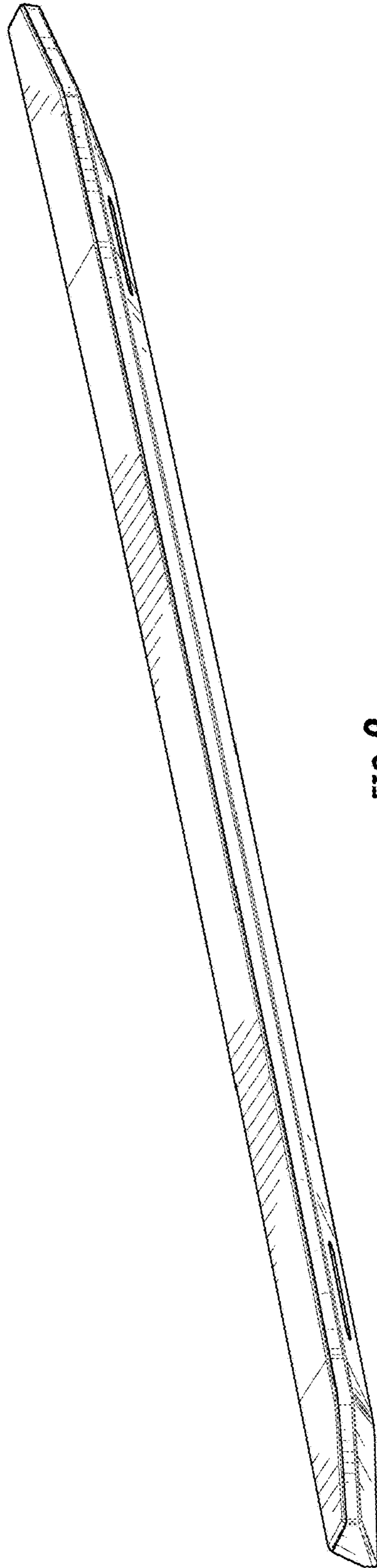


FIG. 2

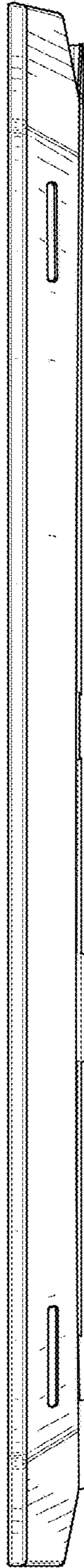


FIG. 3

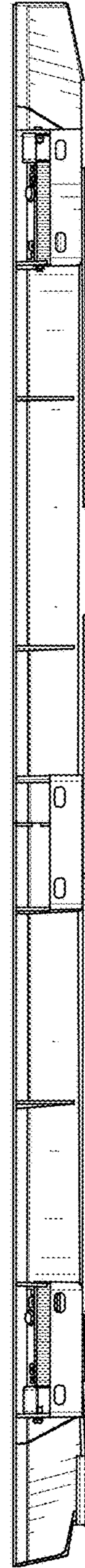


FIG. 4

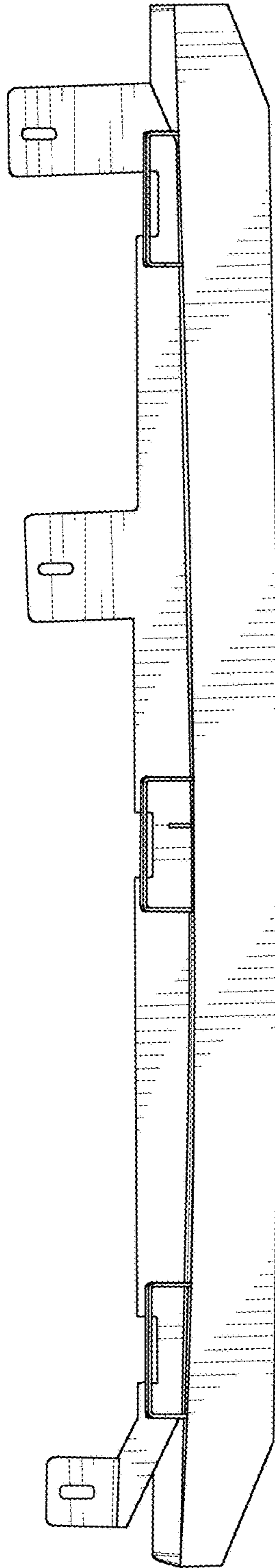


FIG. 5

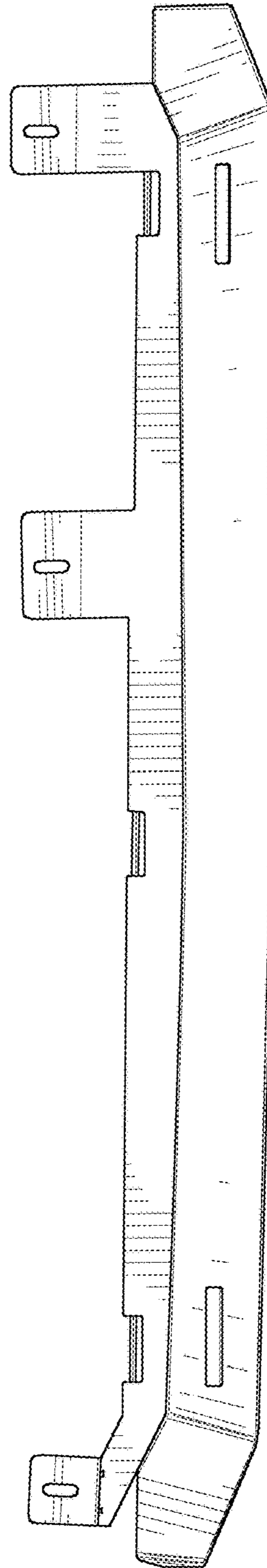


FIG. 6

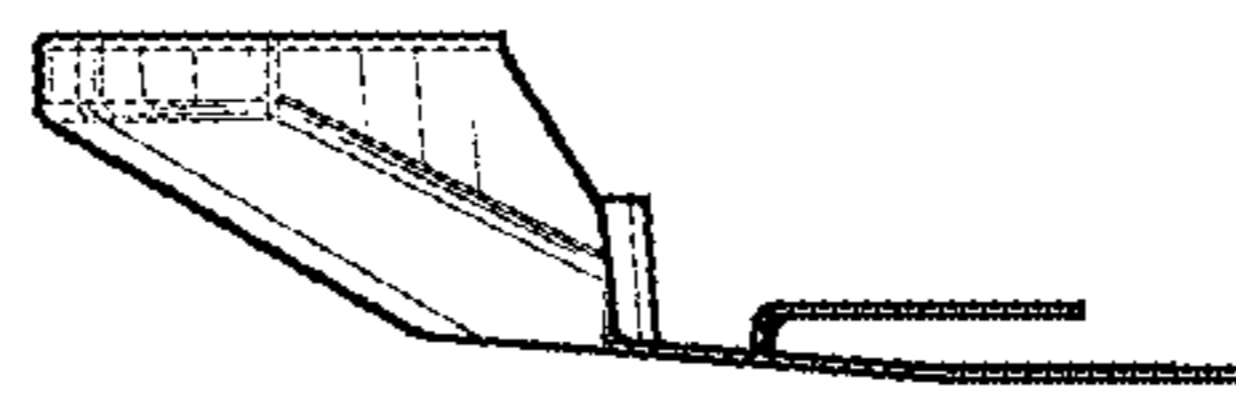


FIG. 7

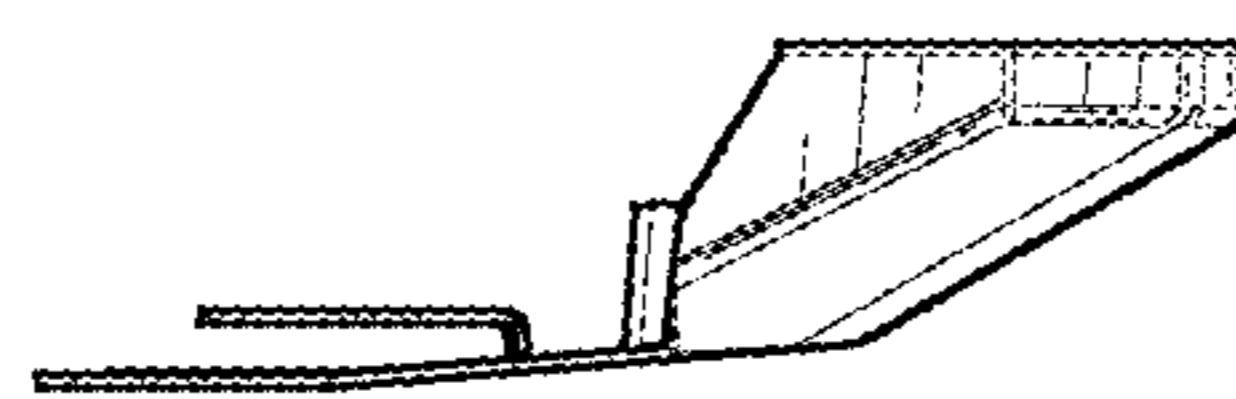


FIG. 8

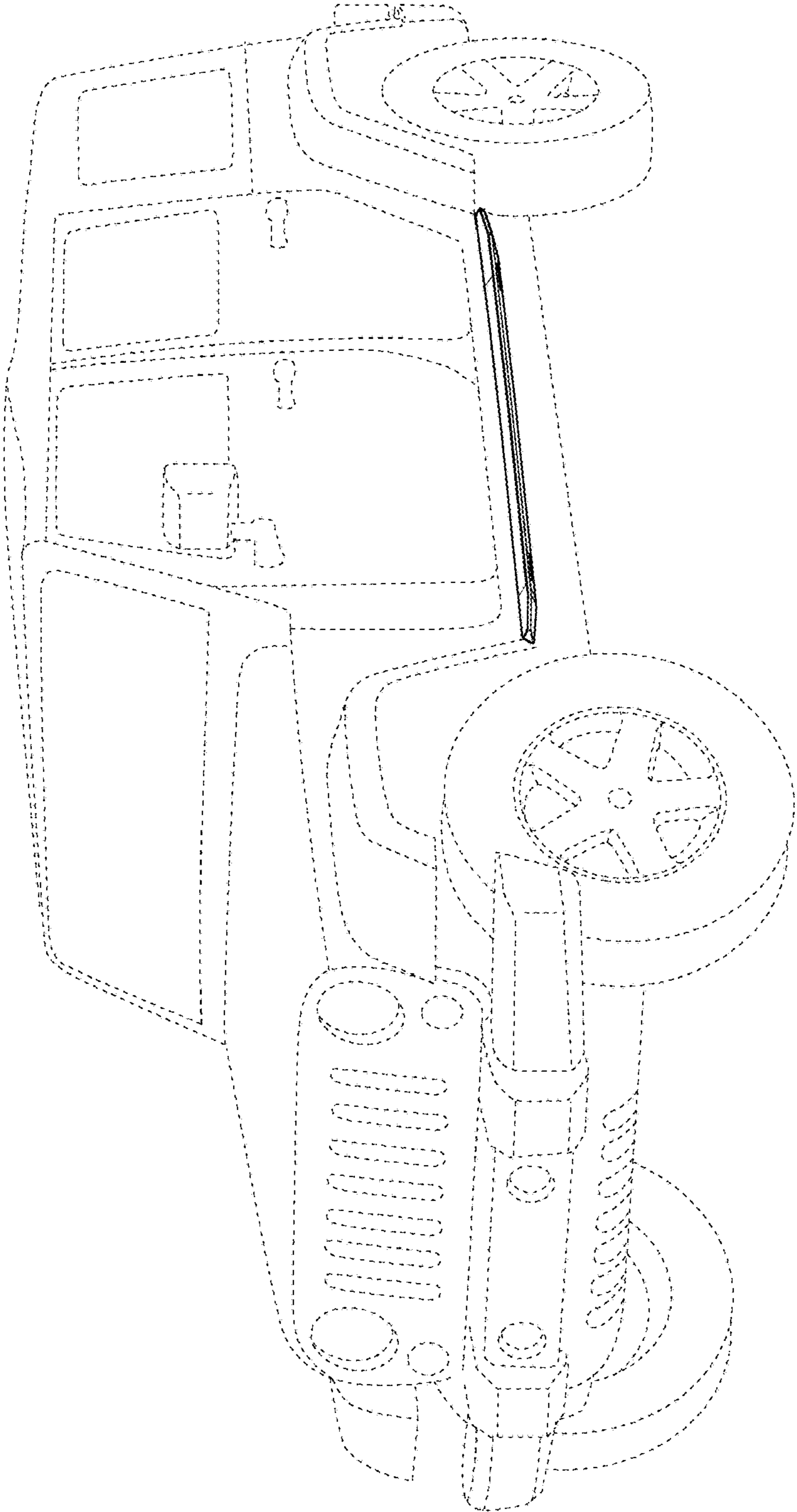


FIG. 9