



US00D833956S

(12) **United States Design Patent** (10) **Patent No.:** **US D833,956 S**
Xiao (45) **Date of Patent:** **** Nov. 20, 2018**

(54) **MOTORCYCLE COVER**
(71) Applicant: **Yongkai Xiao**, Zhongshan (CN)
(72) Inventor: **Yongkai Xiao**, Zhongshan (CN)
(**) Term: **15 Years**
(21) Appl. No.: **29/627,837**
(22) Filed: **Nov. 30, 2017**
(51) **LOC (11) Cl.** **12-16**
(52) **U.S. Cl.**
USPC **D12/402**
(58) **Field of Classification Search**
USPC D6/610-611, 596, 601-603, 615, 617,
D6/621; D12/401-405; D7/332,
D7/334-337
CPC ... B60J 7/19; B60J 7/0435; B60J 11/04; B60J
1/2091; B60J 7/024
See application file for complete search history.

2005/0102917 A1* 5/2005 Kofler E04H 6/005
52/79.1
2005/0279436 A1* 12/2005 McMillen B62J 19/00
150/167
2011/0253274 A1* 10/2011 Schreiber B60J 11/04
150/167

* cited by examiner

Primary Examiner — Katrina A Betton
(74) *Attorney, Agent, or Firm* — Law Offices Steven W. Weinrieb

(57) **CLAIM**

The ornamental design for a motorcycle cover, as shown and described.

DESCRIPTION

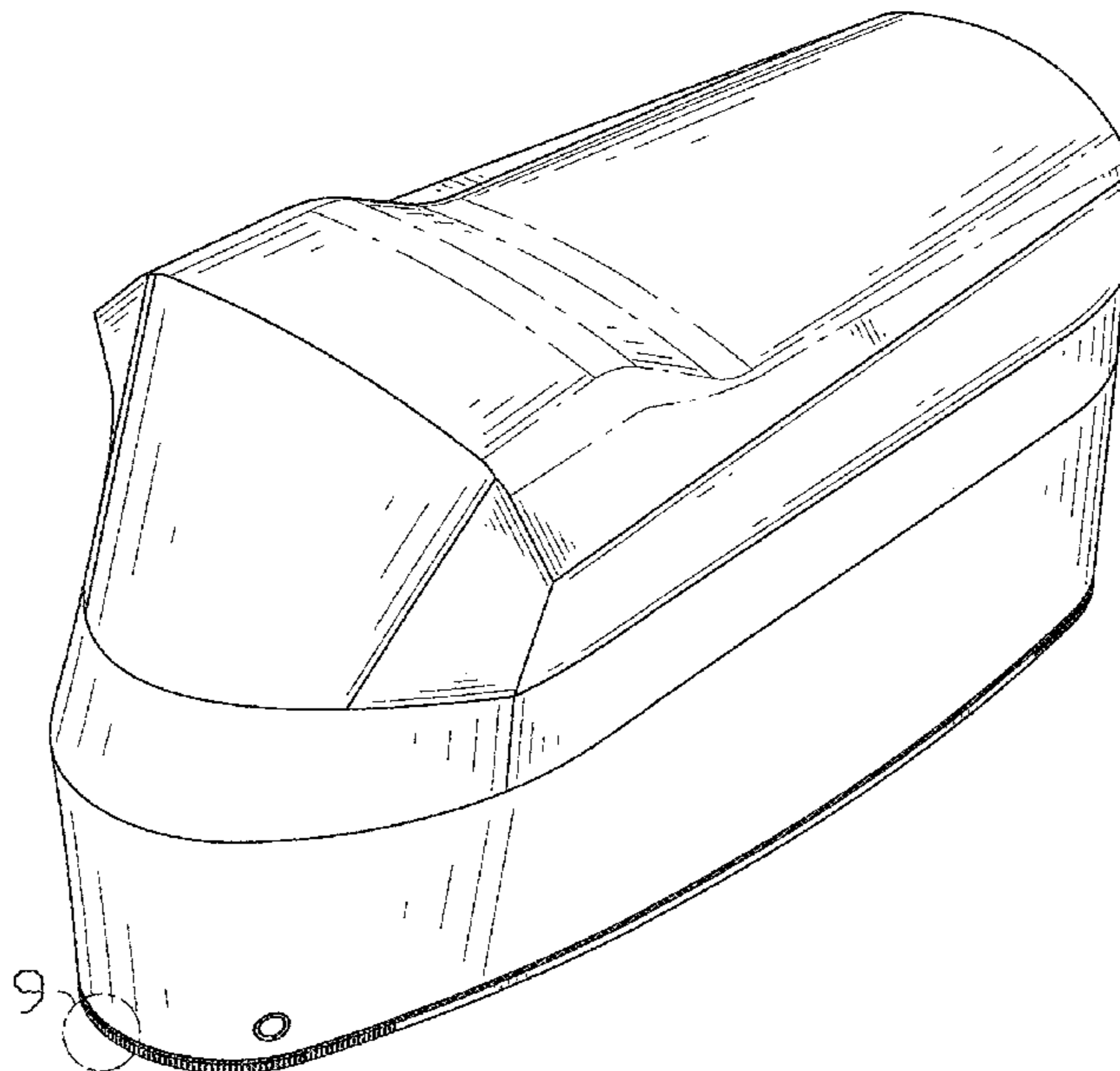
FIG. 1 is a left side top perspective view of the motorcycle cover showing my new design;
FIG. 2 is an inverted left side bottom perspective view thereof;
FIG. 3 is a front elevational view thereof;
FIG. 4 is a rear elevational view thereof;
FIG. 5 is a right side elevational view thereof;
FIG. 6 is a left side elevational view thereof;
FIG. 7 is a top plan view thereof;
FIG. 8 is a bottom plan view thereof.
FIG. 9 is an enlarged detail view of the encircled region 9 noted in FIG. 1;
FIG. 10 is an enlarged detail view of the encircled region 10 noted in FIG. 2;
FIG. 11 is an enlarged detail view of the encircled region 11 noted in FIG. 3; and,
FIG. 12 is an enlarged detail view of the encircled region 12 noted in FIG. 5.

(56) **References Cited**

U.S. PATENT DOCUMENTS

D496,322 S * 9/2004 Farney D12/401
D626,060 S * 10/2010 Rians D12/402
D637,134 S * 5/2011 Kaiser D12/318
D638,777 S * 5/2011 Poland D12/402
D651,678 S * 1/2012 Muggleton D12/402
D675,974 S * 2/2013 Nguyen D12/402
D679,771 S * 4/2013 Muggleton D12/401
D688,619 S * 8/2013 Camara D12/402
D705,157 S * 5/2014 Madison D12/401
D723,451 S * 3/2015 Depew, Jr. D12/402
D745,843 S * 12/2015 Wuttig D12/402
D781,209 S * 3/2017 Houck D12/402
D816,586 S * 5/2018 Doughty D12/402

1 Claim, 12 Drawing Sheets



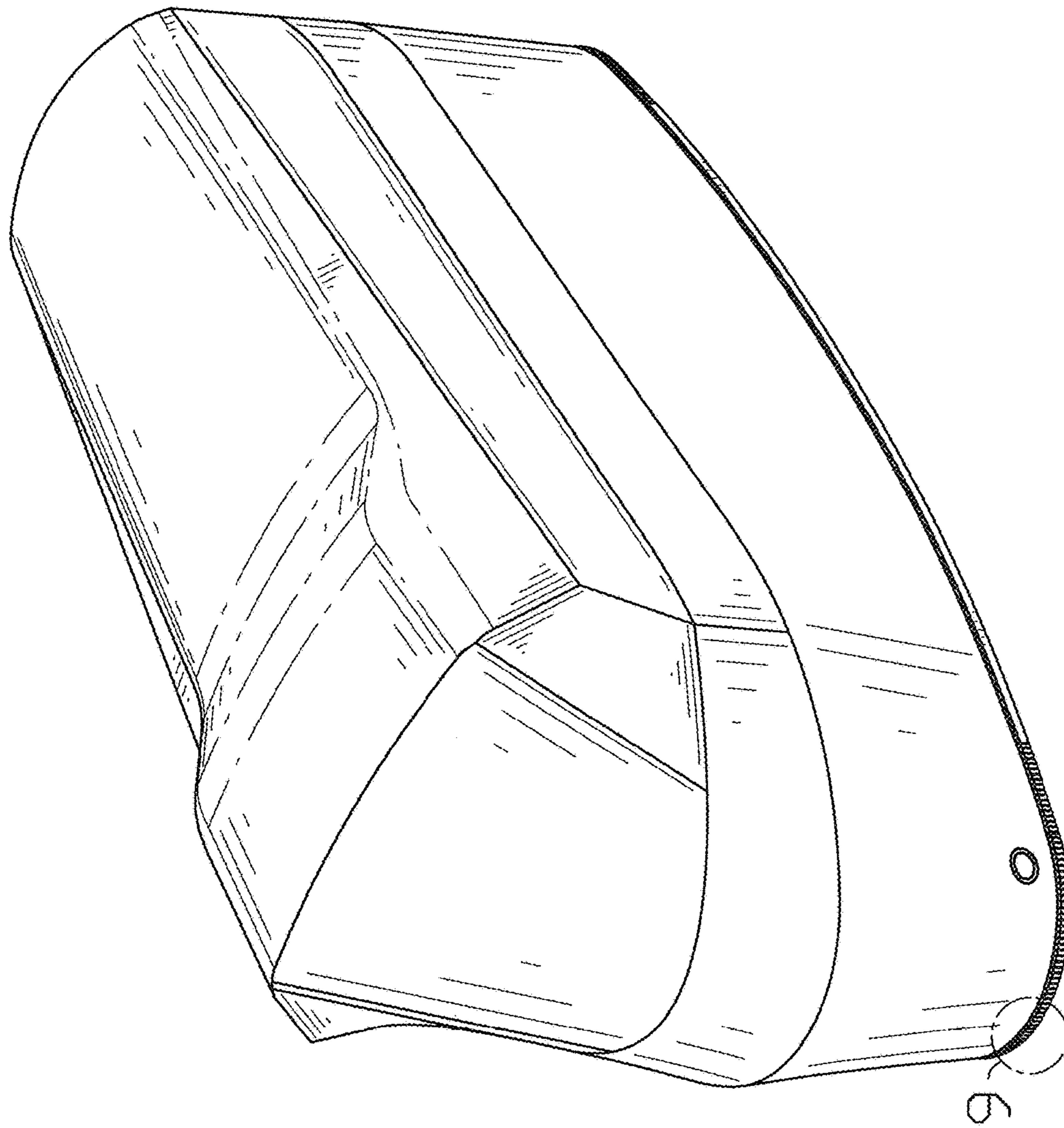


FIG. 1

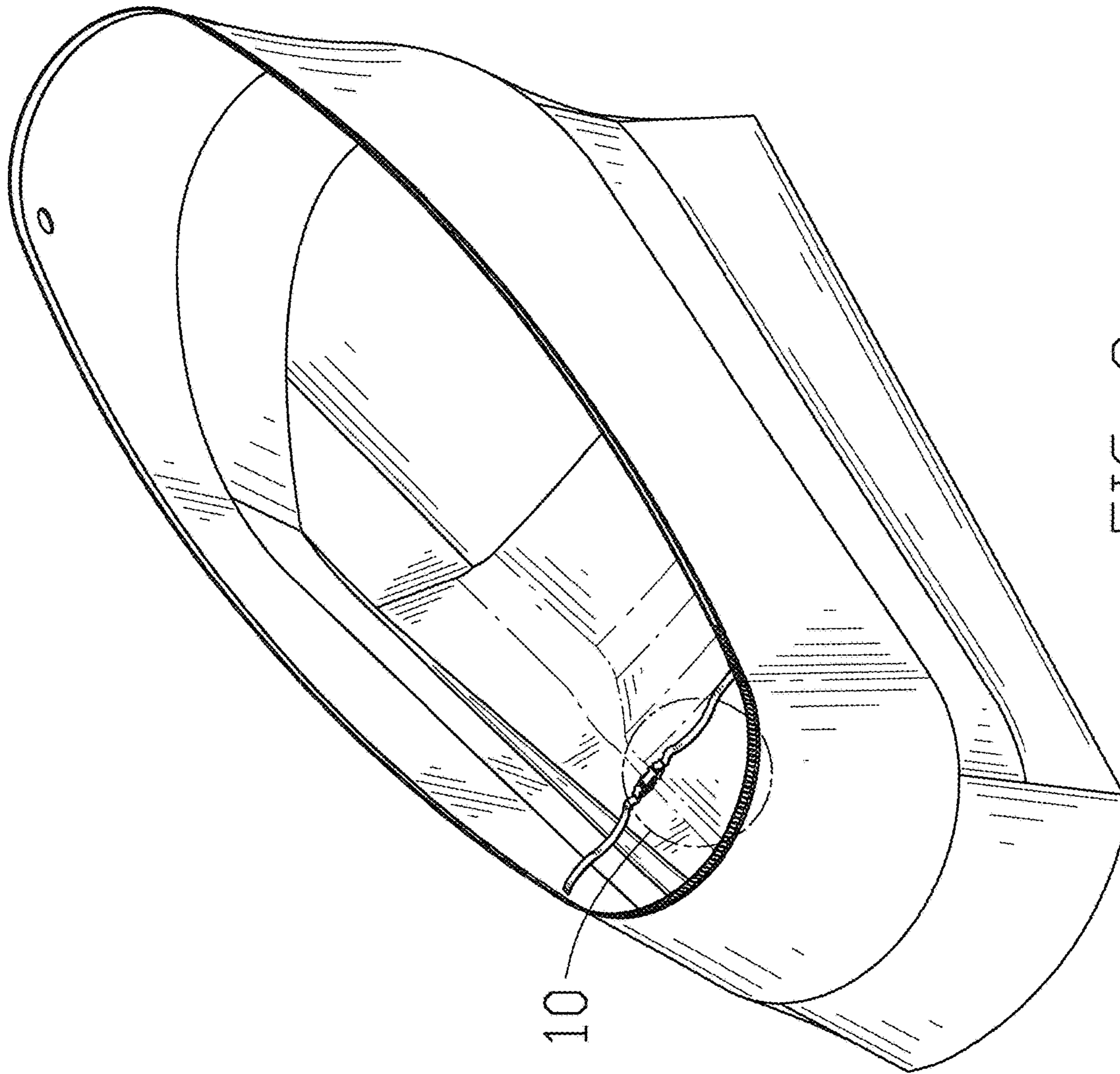


FIG. 2

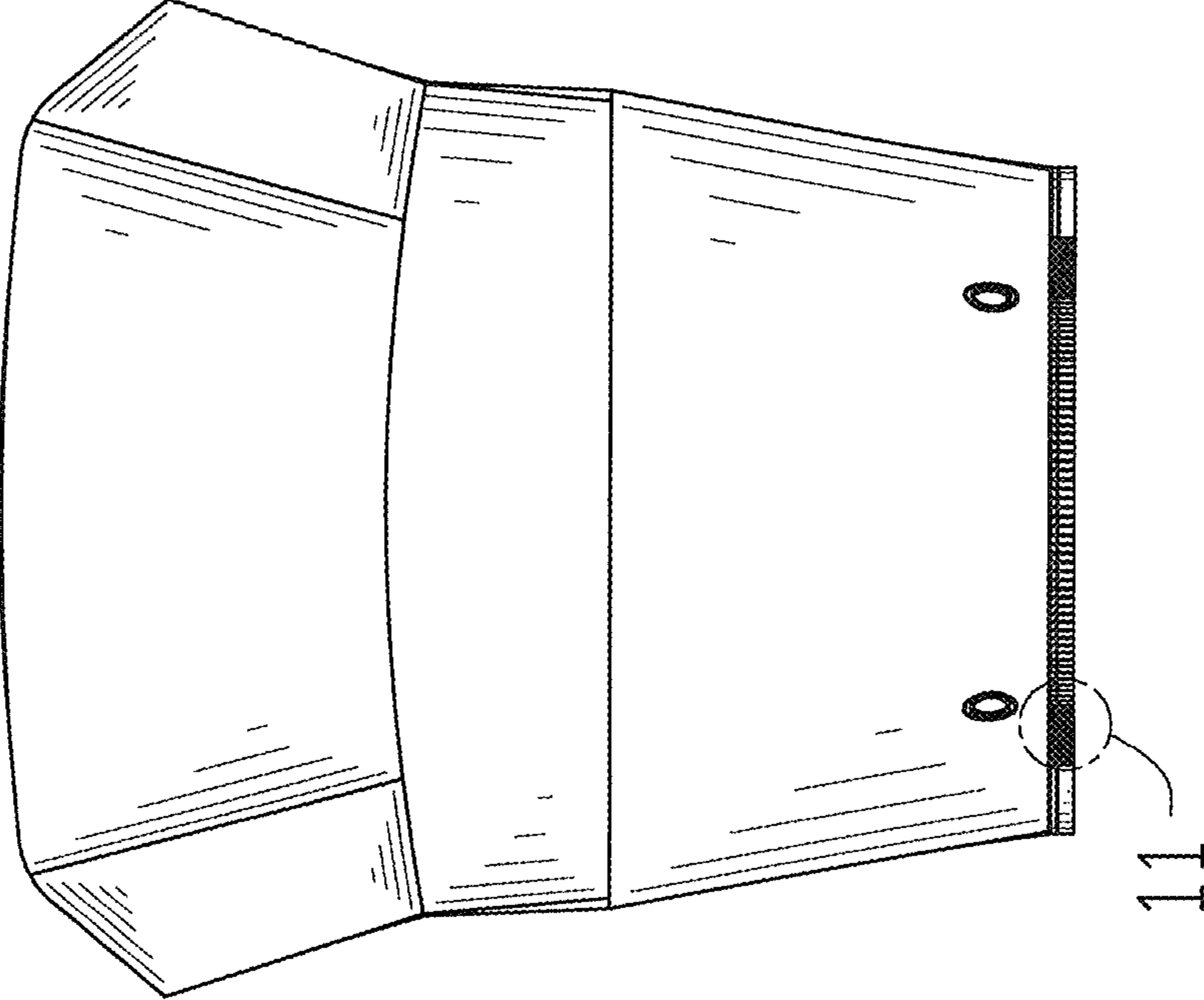


FIG. 3

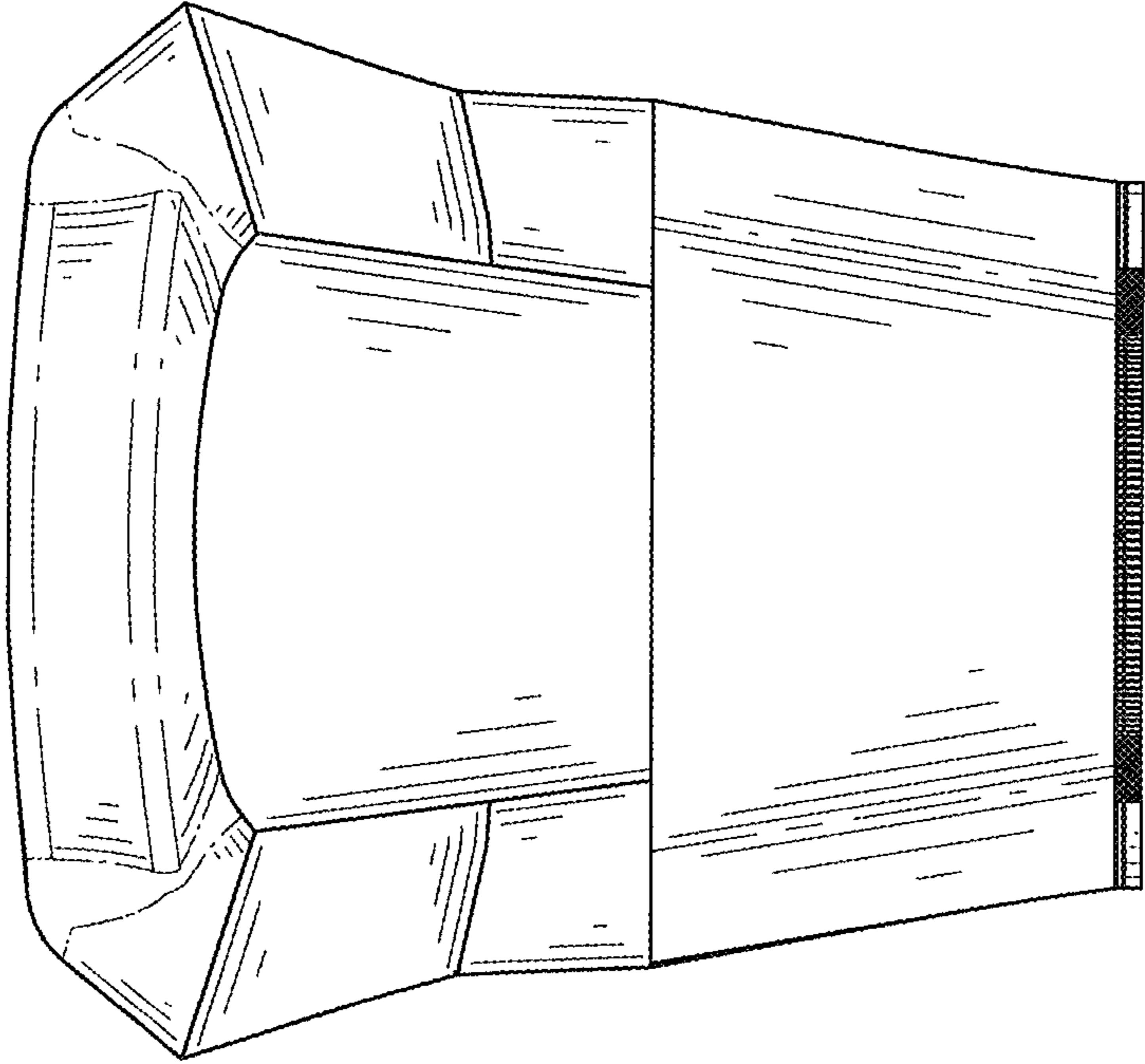


FIG. 4

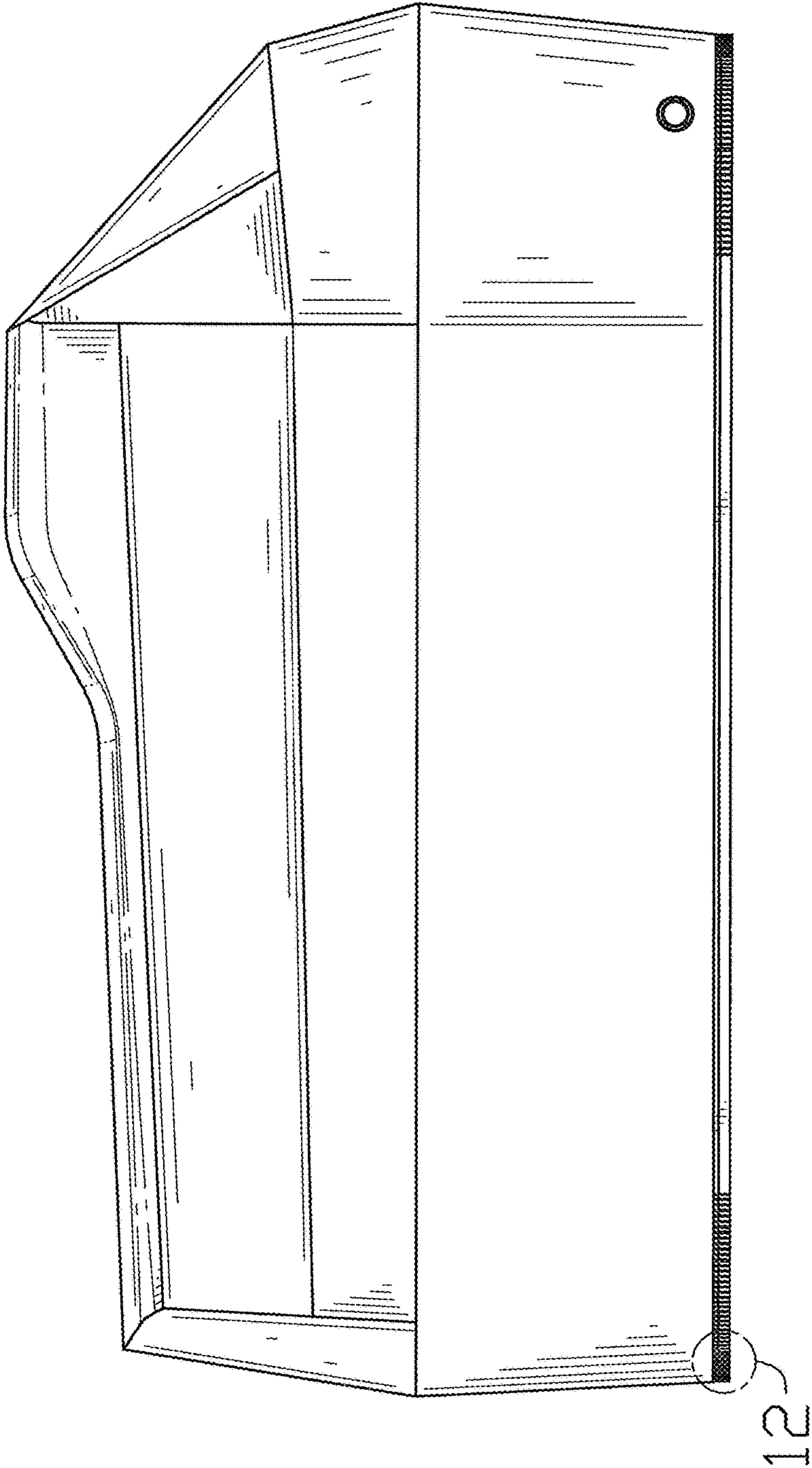


FIG. 5

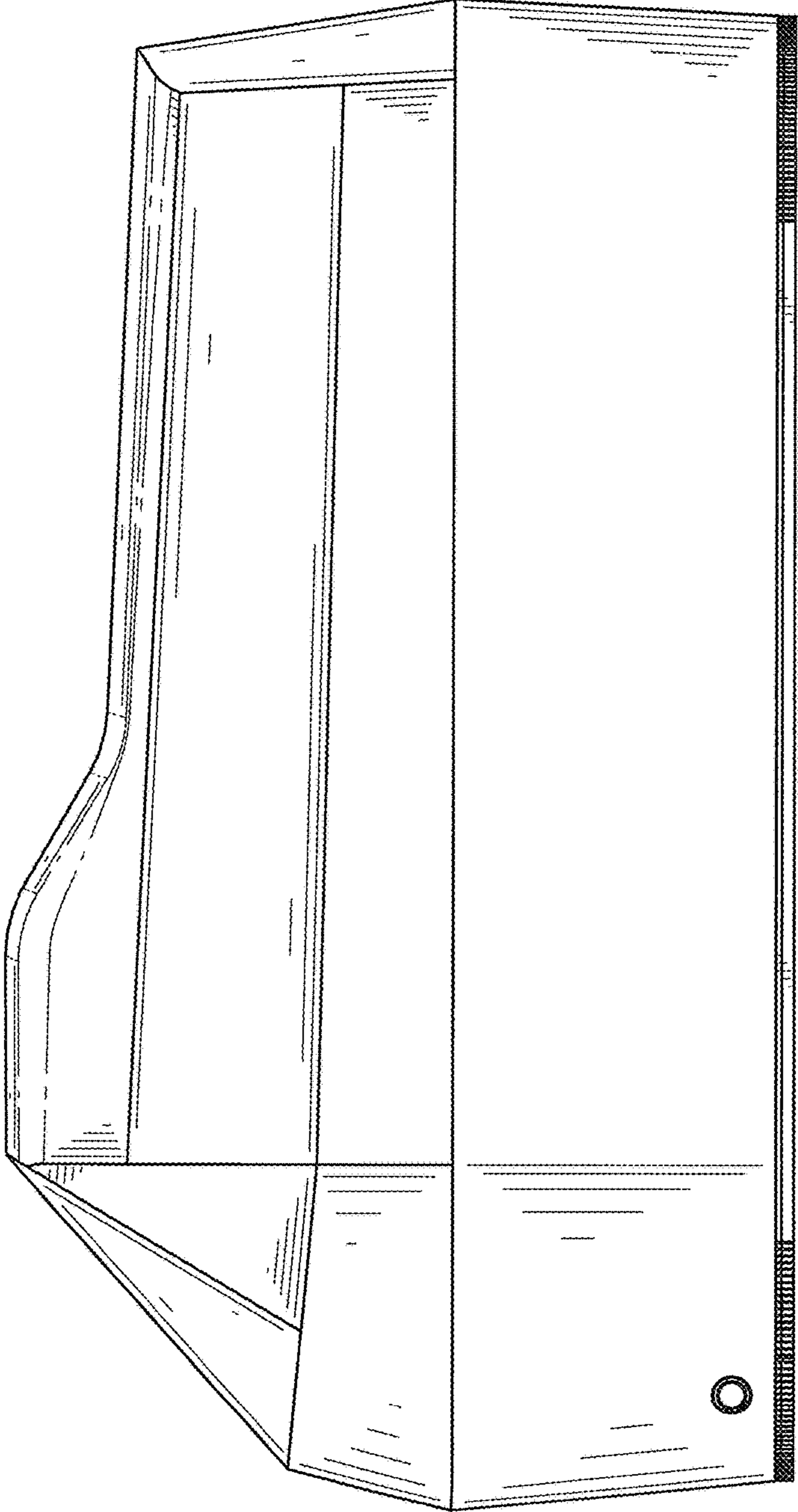


FIG. 6

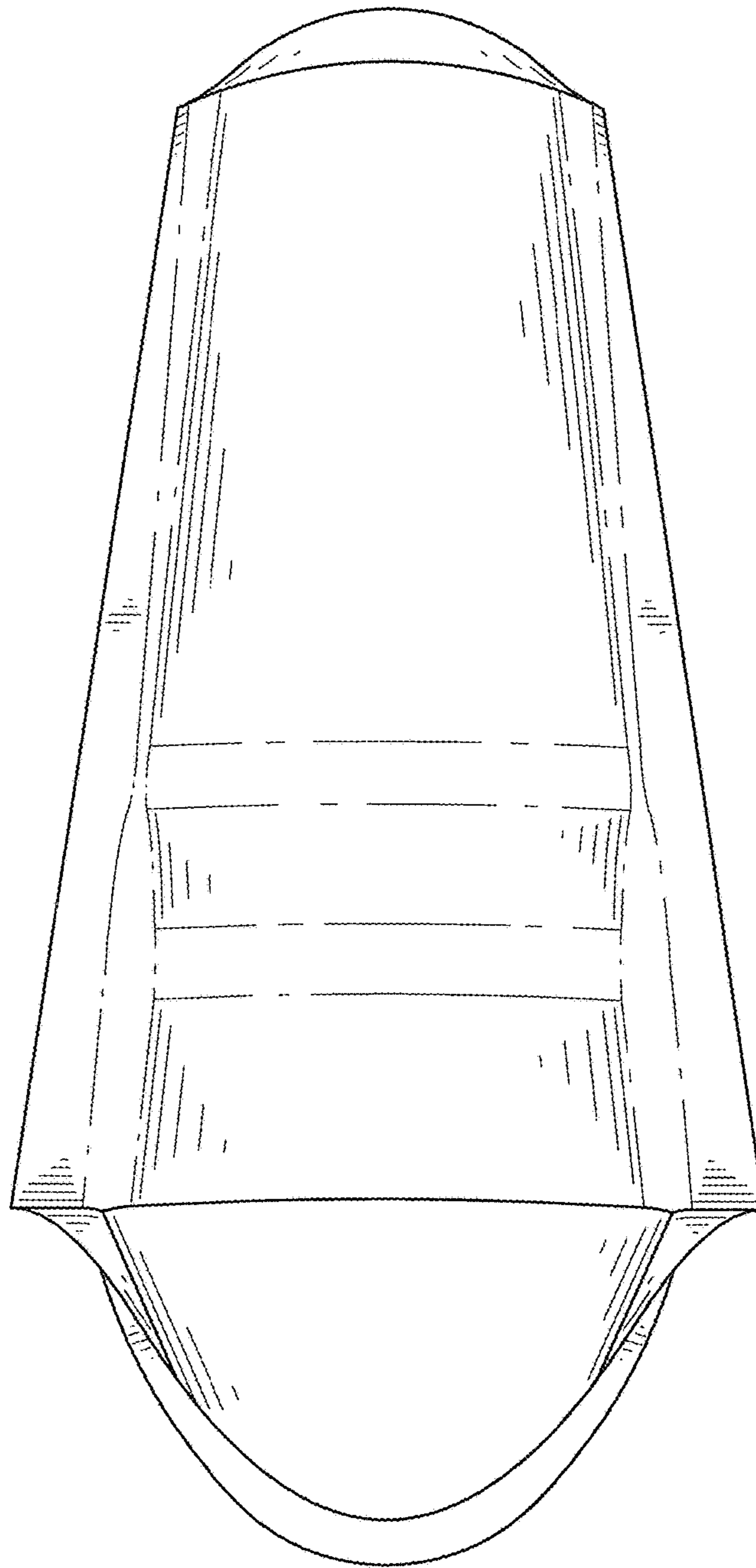


FIG. 7

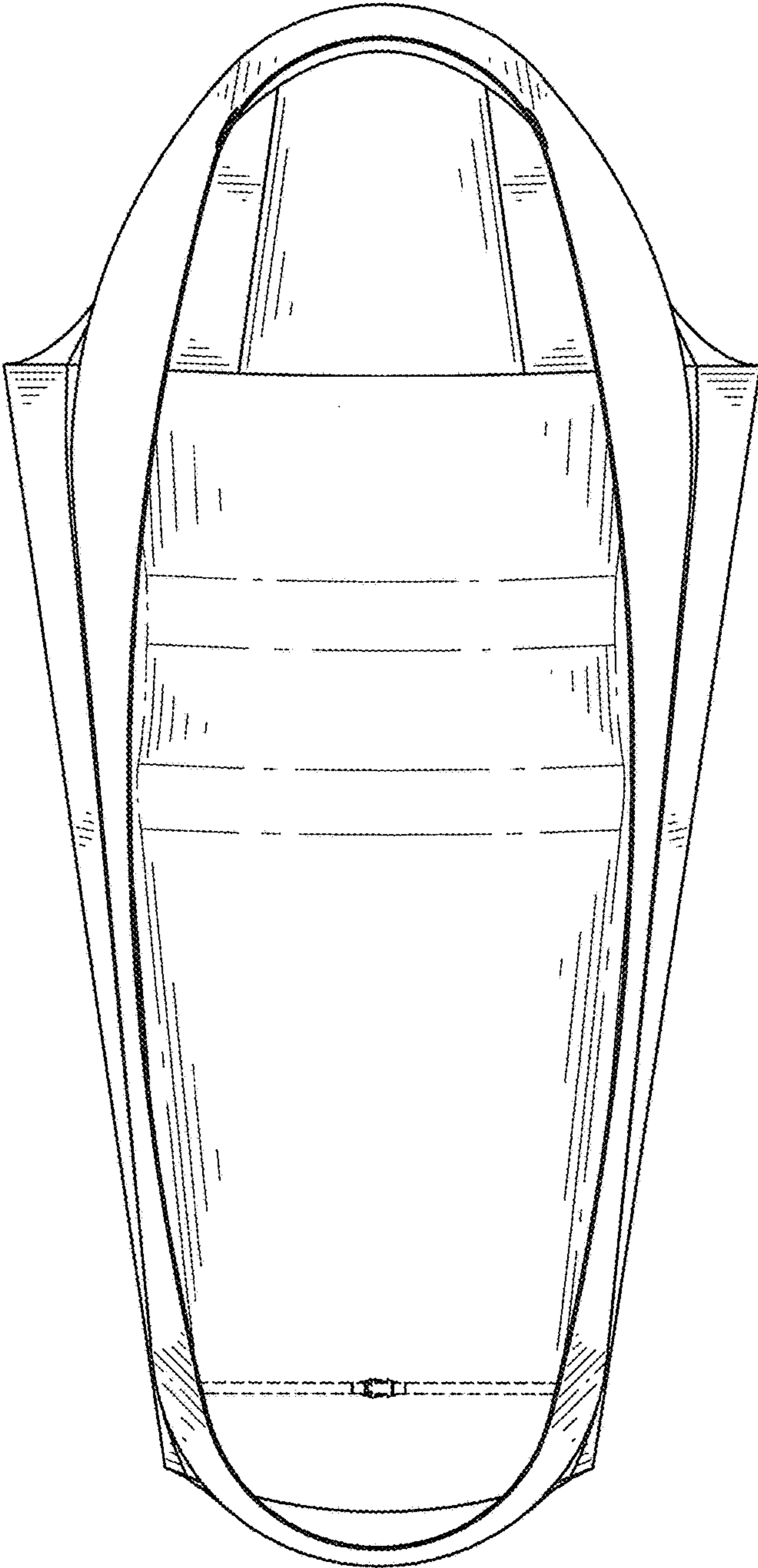


FIG. 8

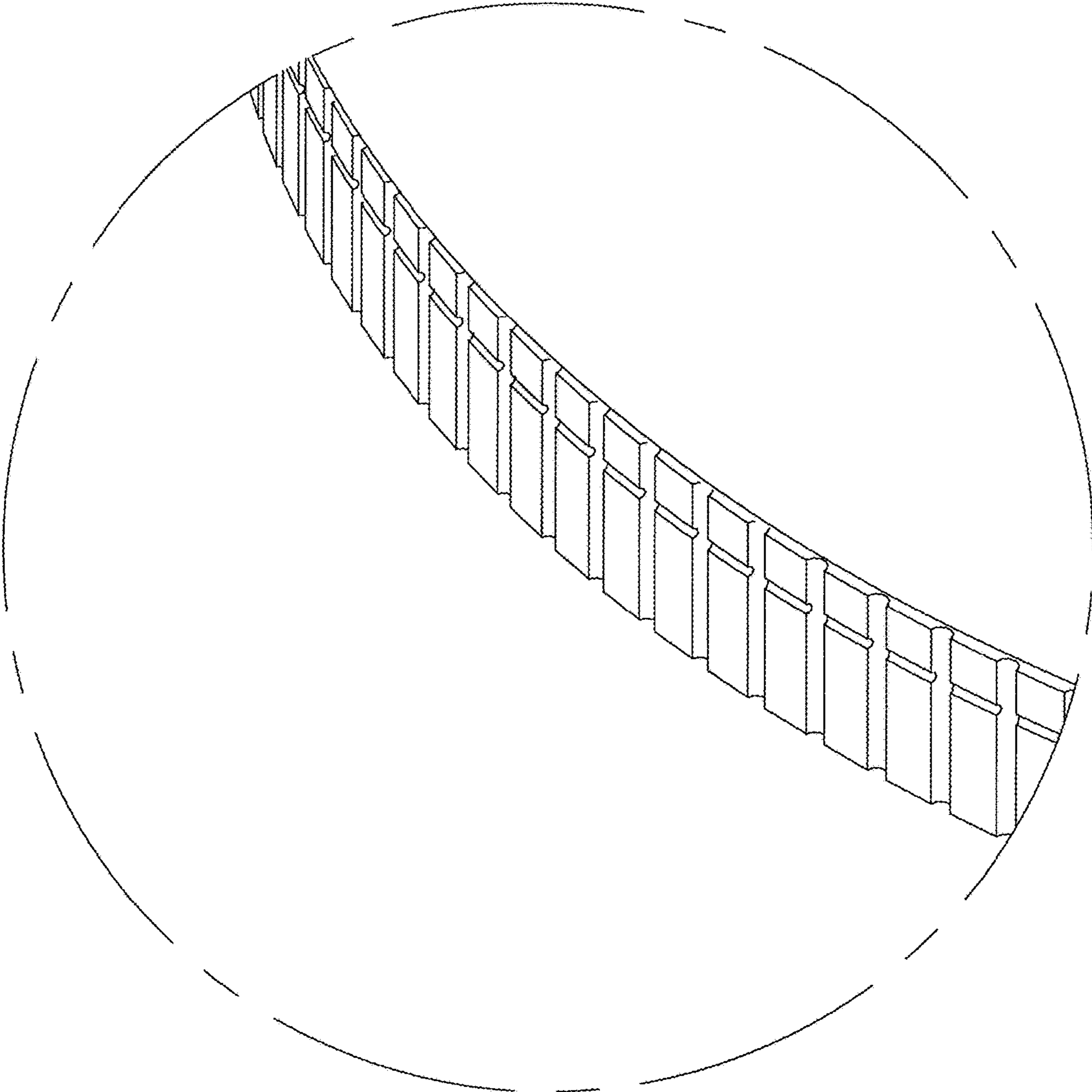


FIG. 9

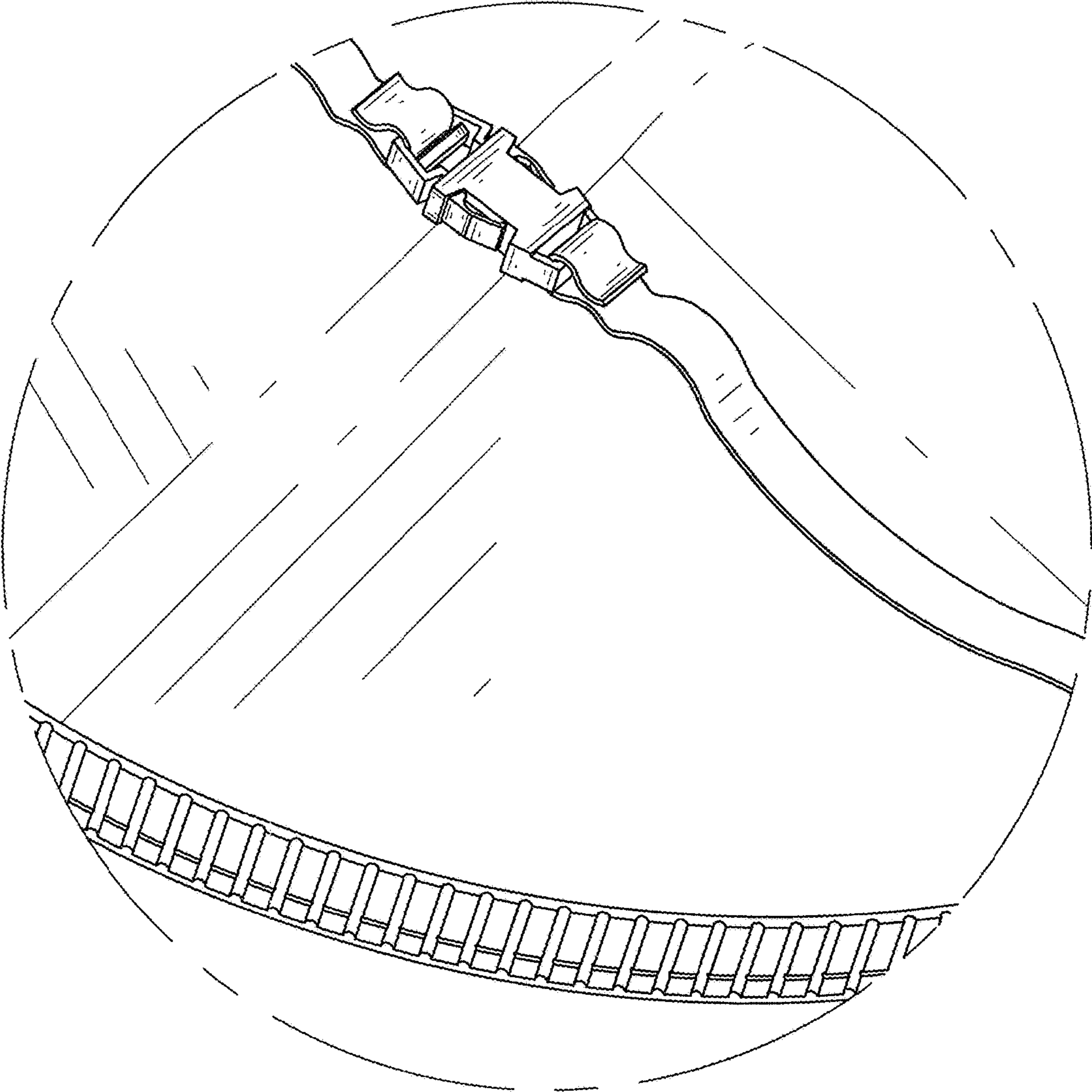


FIG. 10

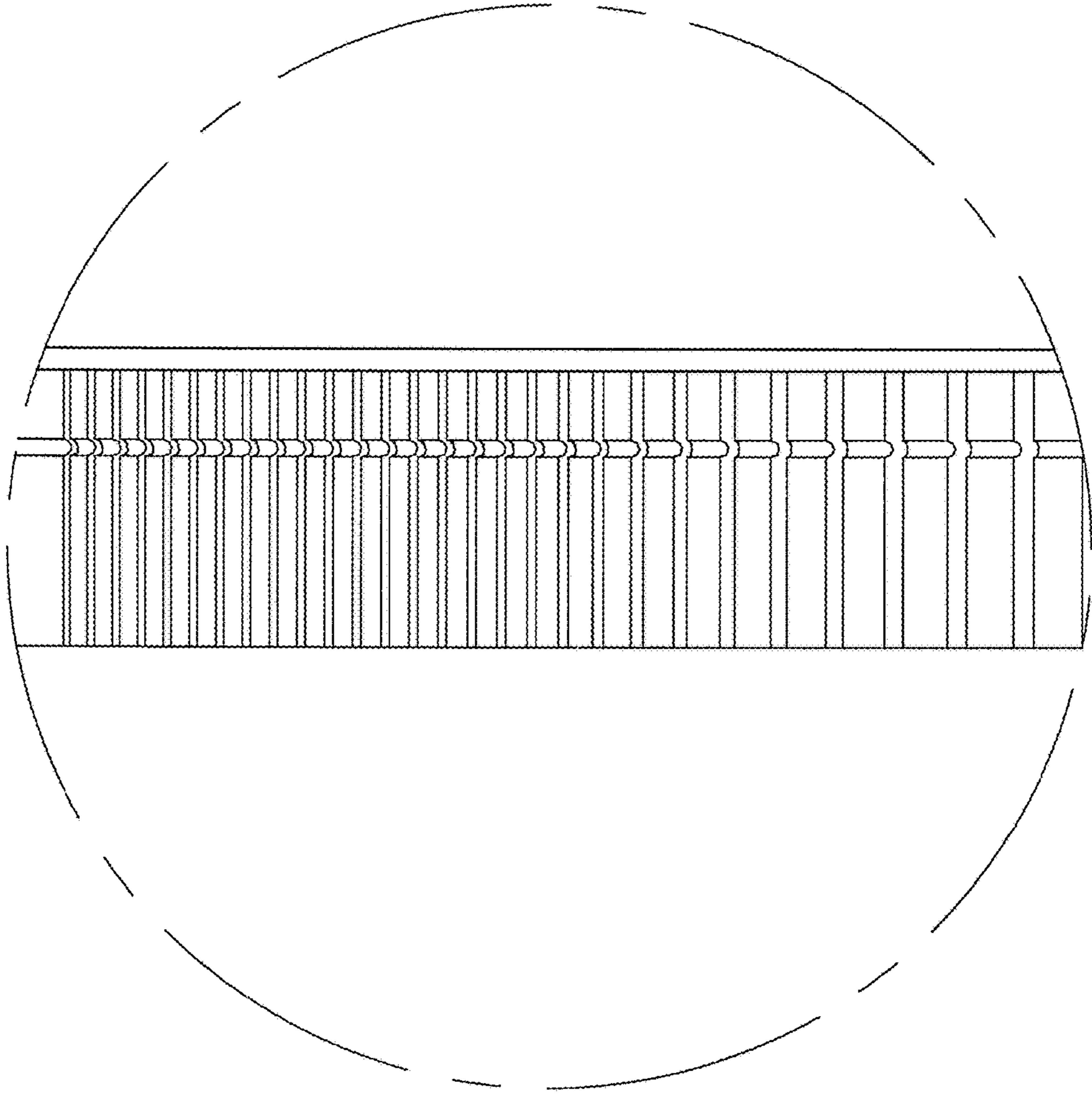


FIG. 11

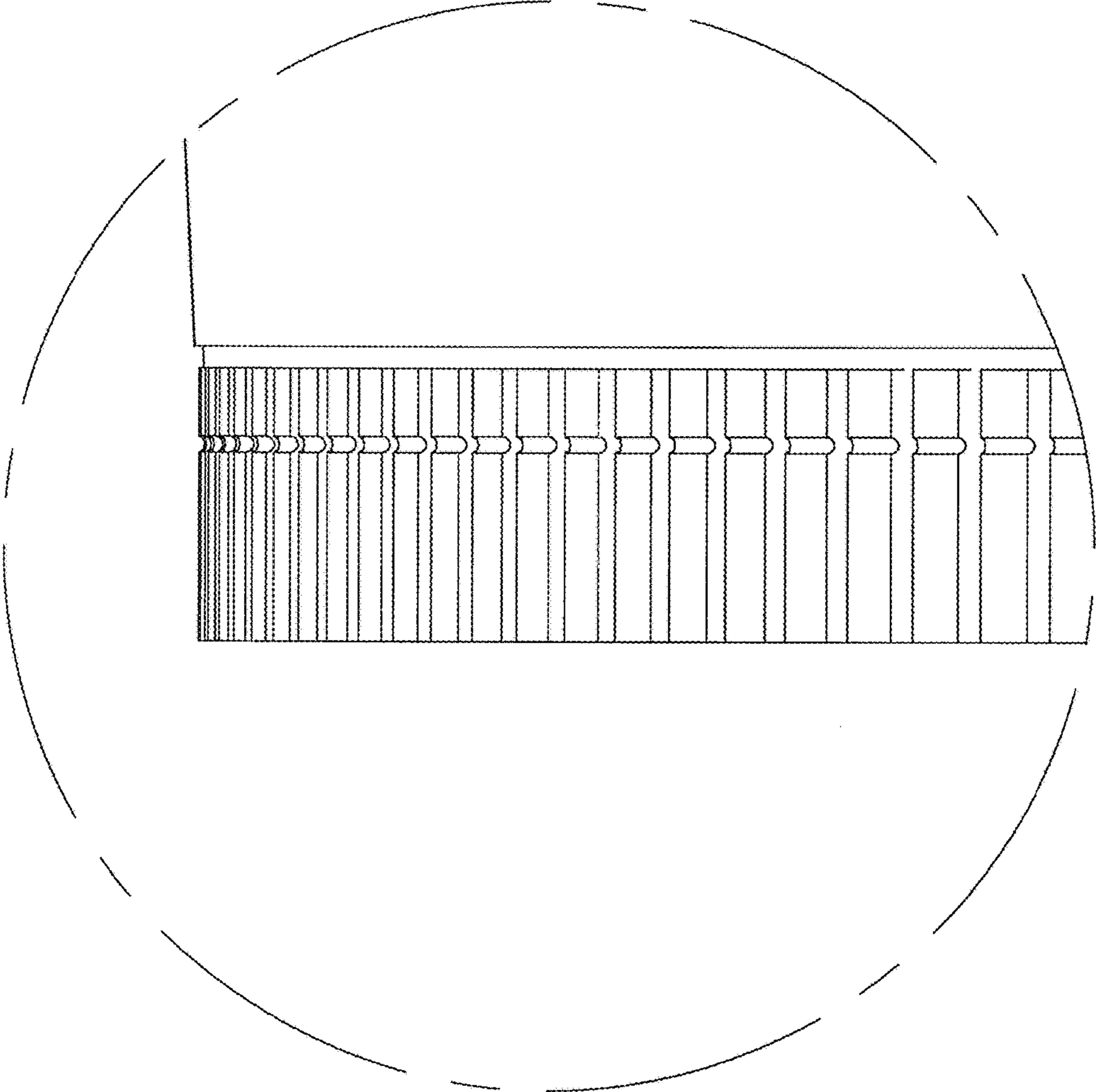


FIG. 12