



US00D833955S

(12) **United States Design Patent**
Örneblad

(10) **Patent No.:** **US D833,955 S**

(45) **Date of Patent:** **** Nov. 20, 2018**

- (54) **CATAMARAN BOAT**
- (71) Applicant: **Sten Örneblad**, Varberg (SE)
- (72) Inventor: **Sten Örneblad**, Varberg (SE)
- (73) Assignee: **Eagleblade, LLC**, Tryon, NC (US)
- (**) Term: **15 Years**
- (21) Appl. No.: **29/595,189**
- (22) Filed: **Feb. 27, 2017**
- (51) **LOC (11) Cl.** **12-06**
- (52) **U.S. Cl.**
USPC **D12/311**
- (58) **Field of Classification Search**
USPC D12/300, 305–307, 310–318;
D21/542–544, 547
CPC B63B 1/042; B63B 1/107; B63B 1/121;
B63B 1/186; B63B 1/20; B63B 1/201;
B63B 1/203; B63B 1/204; B63B
2001/206
See application file for complete search history.

- 5,140,930 A * 8/1992 Lund B63B 1/20
114/290
- D358,122 S * 5/1995 Perette D12/310
- 5,458,078 A * 10/1995 Perette B63B 1/042
114/273
- 5,570,649 A * 11/1996 Austin B63B 1/20
114/292
- D384,028 S * 9/1997 Veazey D12/300
- D402,618 S * 12/1998 Veazey D12/300
- D438,506 S * 3/2001 Munson D12/300
- D725,574 S * 3/2015 Perette D12/311
- D736,139 S * 8/2015 Smith D12/300
- D739,331 S * 9/2015 Munson D12/310
- D775,054 S * 12/2016 Lakin D12/300

* cited by examiner

Primary Examiner — Cynthia M. Chin

(57) **CLAIM**

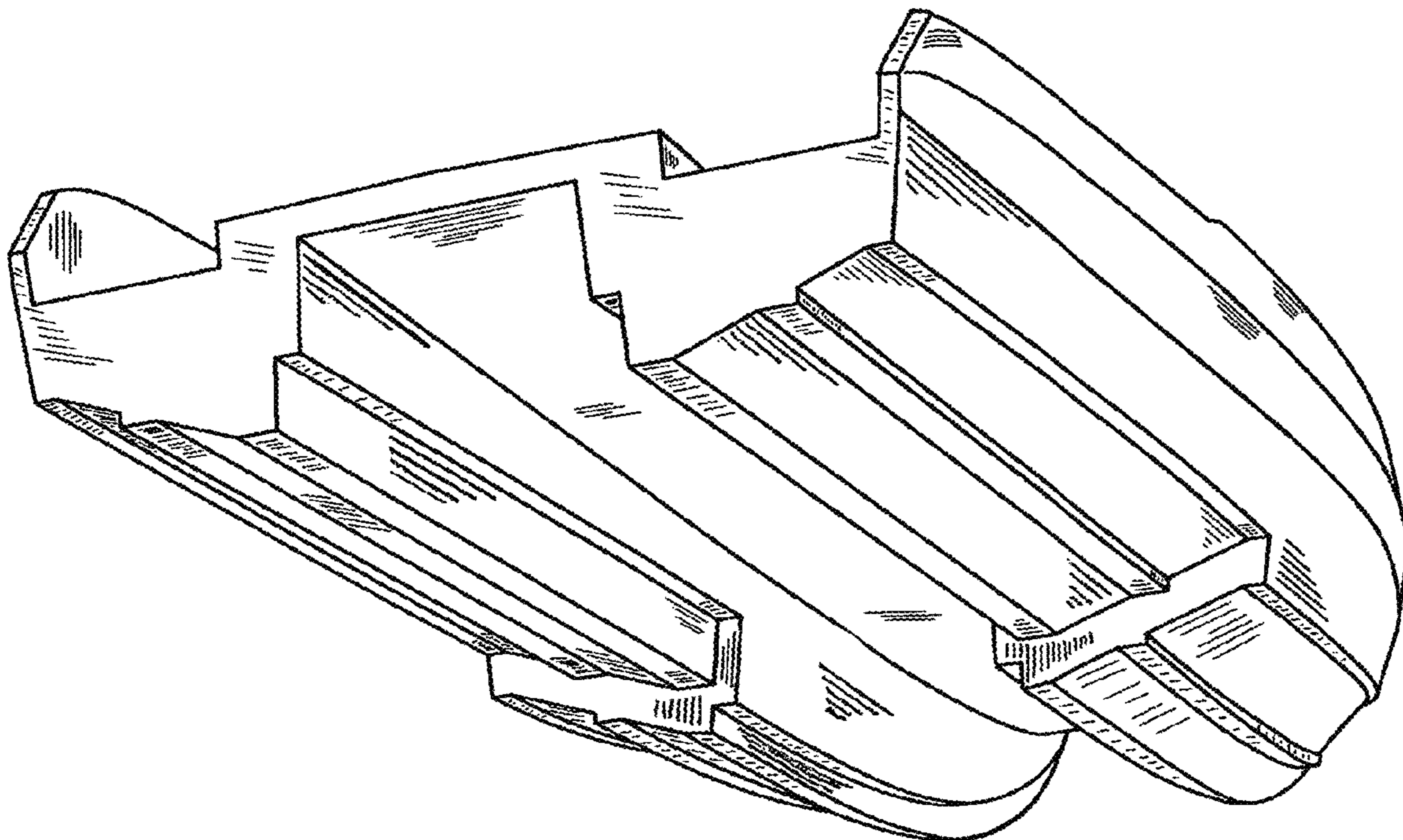
The ornamental design for a catamaran boat, as shown and described.

DESCRIPTION

FIG. 1 is a perspective view of my design from the rear right side.
 FIG. 2 is a reduced right side view thereof, the left side view being a mirror image of FIG. 2.
 FIG. 3 is an enlarged front view thereof.
 FIG. 4 is an enlarged rear view thereof; and,
 FIG. 5 is a reduced bottom view thereof.
 The broken lines are for the purpose of illustrating portions of the article that form no part of the claim.

1 Claim, 3 Drawing Sheets

- (56) **References Cited**
U.S. PATENT DOCUMENTS
3,046,926 A * 7/1962 Miller B63B 1/042
114/61.2
4,091,761 A * 5/1978 Fehn B63B 1/042
114/271



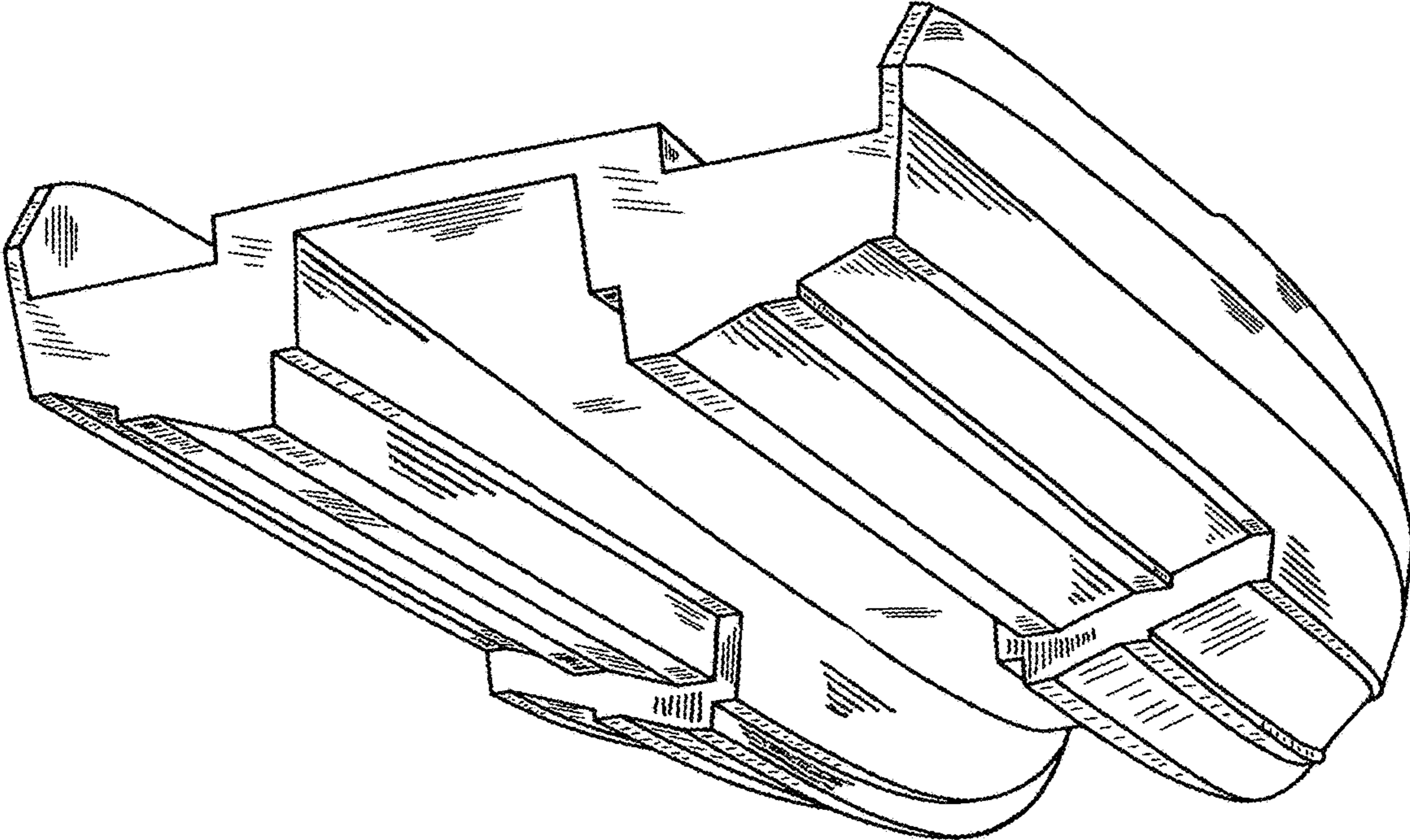


FIG. 1

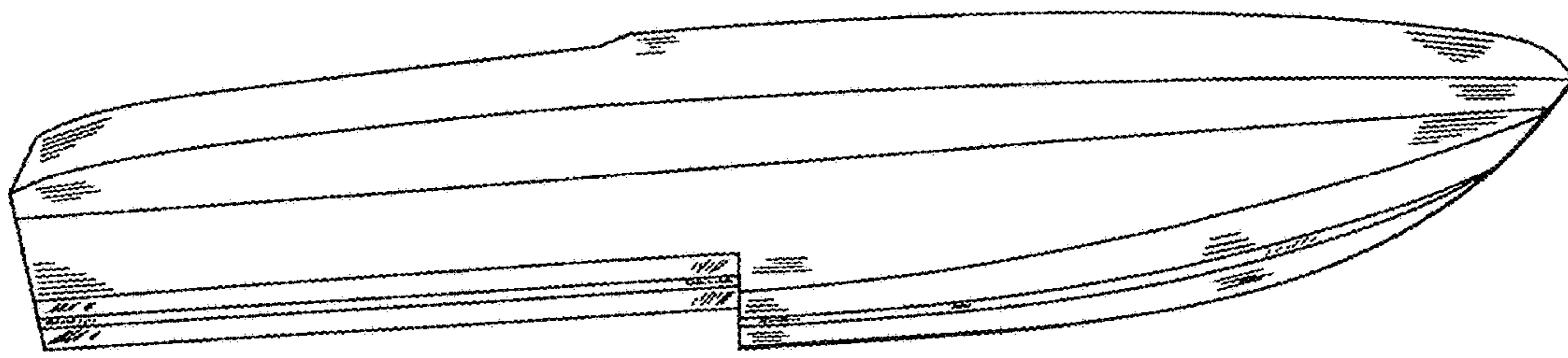


FIG. 2

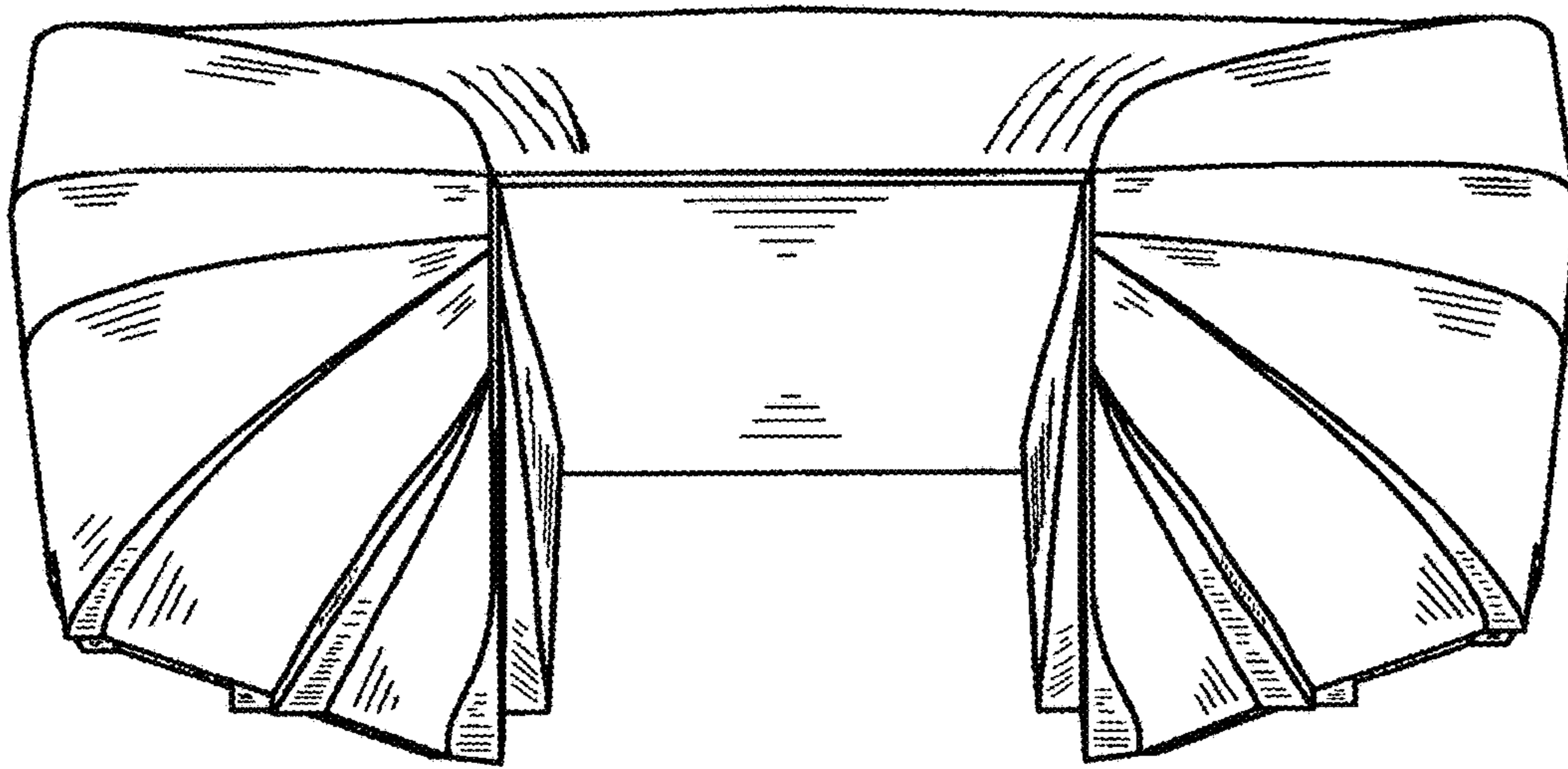


FIG. 3

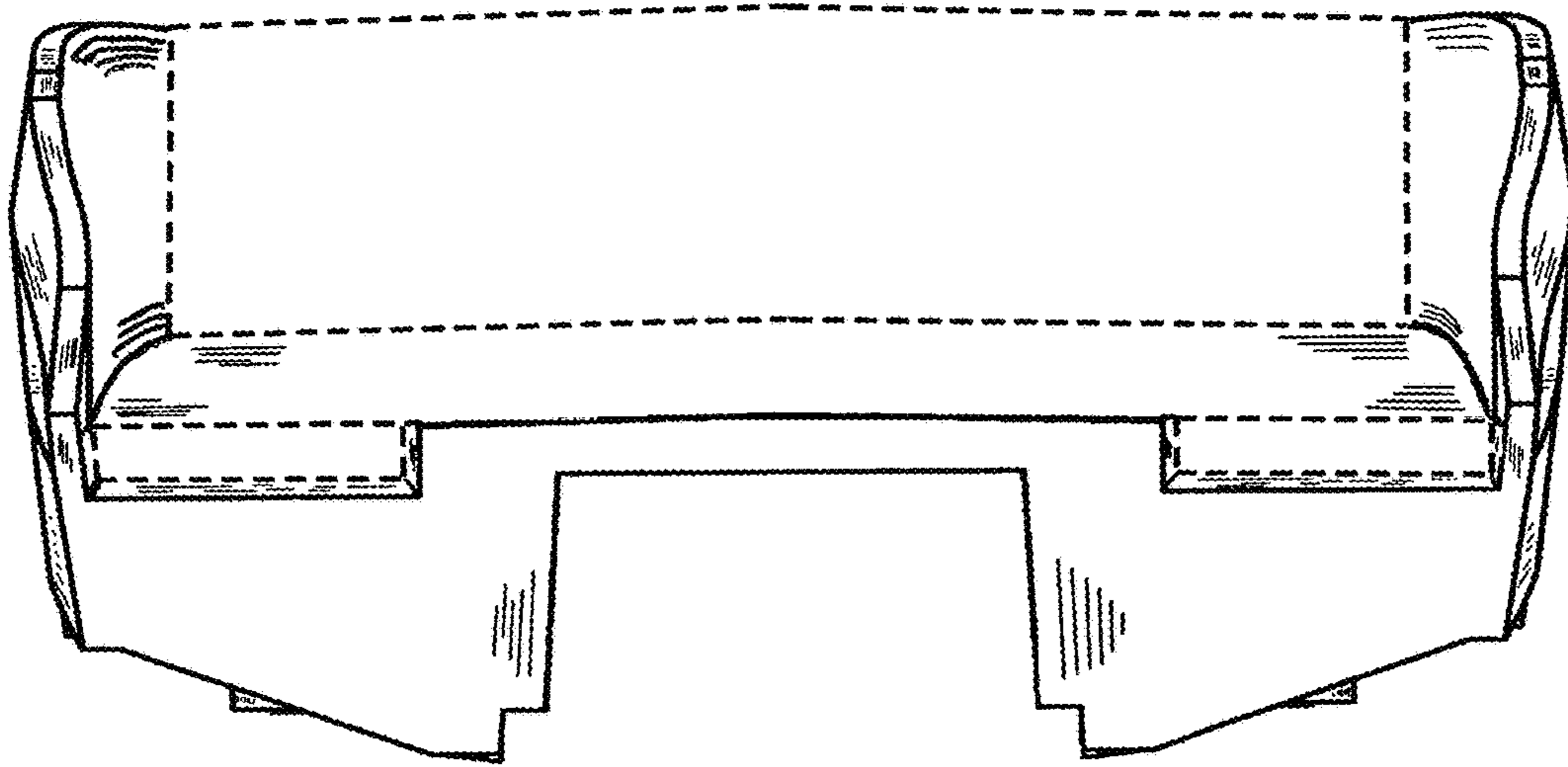


FIG. 4

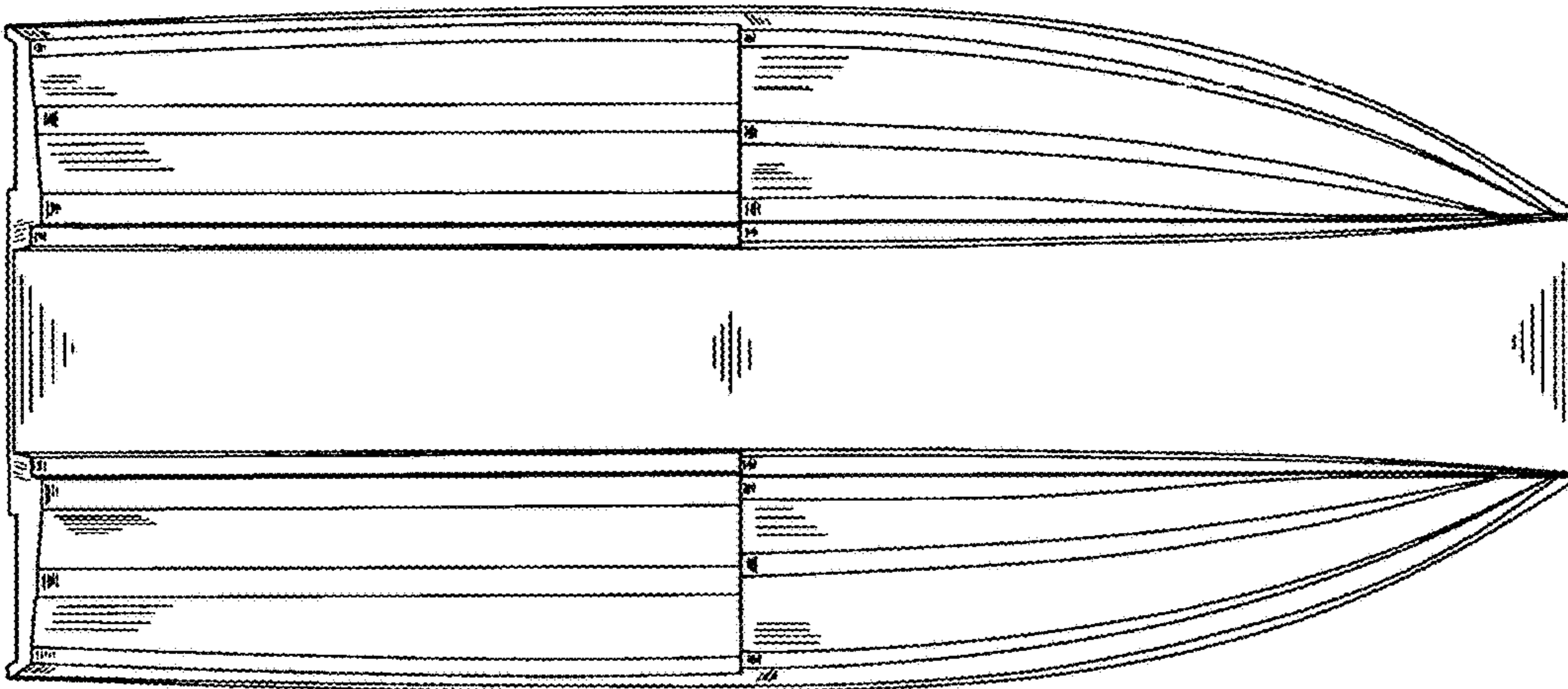


FIG. 5