



US00D833954S

(12) **United States Design Patent**
Kim

(10) **Patent No.:** **US D833,954 S**

(45) **Date of Patent:** **** Nov. 20, 2018**

(54) **WINDSCREEN WIPER BLADE**

9,862,357 B2 *	1/2018	Barret	B60S 1/4041
2013/0097801 A1 *	4/2013	Schaeuble	B60S 1/3805
			15/250.32
2014/0026349 A1 *	1/2014	Schaeuble	B60S 1/40
			15/250.32

(71) Applicant: **KIMBLADE CO., LTD.**, Gyeonggi-Do (KR)

(72) Inventor: **Hyungwoo Kim**, Suwon-si (KR)

* cited by examiner

(73) Assignee: **KIMBLADE CO., LTD.**, Gunpo-si (KR)

Primary Examiner — Michael A. Pratt

(74) *Attorney, Agent, or Firm* — Sughrue Mion, PLLC

(**) Term: **15 Years**

(21) Appl. No.: **35/502,481**

(57) **CLAIM**

(22) Filed: **Aug. 24, 2016**

The ornamental design for a windscreen wiper blade, as shown and described.

(80) **Hague Agreement Data**

Int. Filing Date: **Aug. 24, 2016**

Int. Reg. No.: **DM/092426**

Int. Reg. Date: **Aug. 24, 2016**

Int. Reg. Pub. Date: **Feb. 24, 2017**

DESCRIPTION

(51) **LOC (11) Cl.** **12-16**

(52) **U.S. Cl.**
USPC **D12/220**

(58) **Field of Classification Search**
USPC D12/291–220
CPC B60S 2001/3815; B60S 1/4003; B60S 1/3801

See application file for complete search history.

1. Windscreen wiper blade

1.1 : Perspective

1.2 : Front

1.3 : Back

1.4 : Left

1.5 : Right

1.6 : Top

1.7 : Bottom

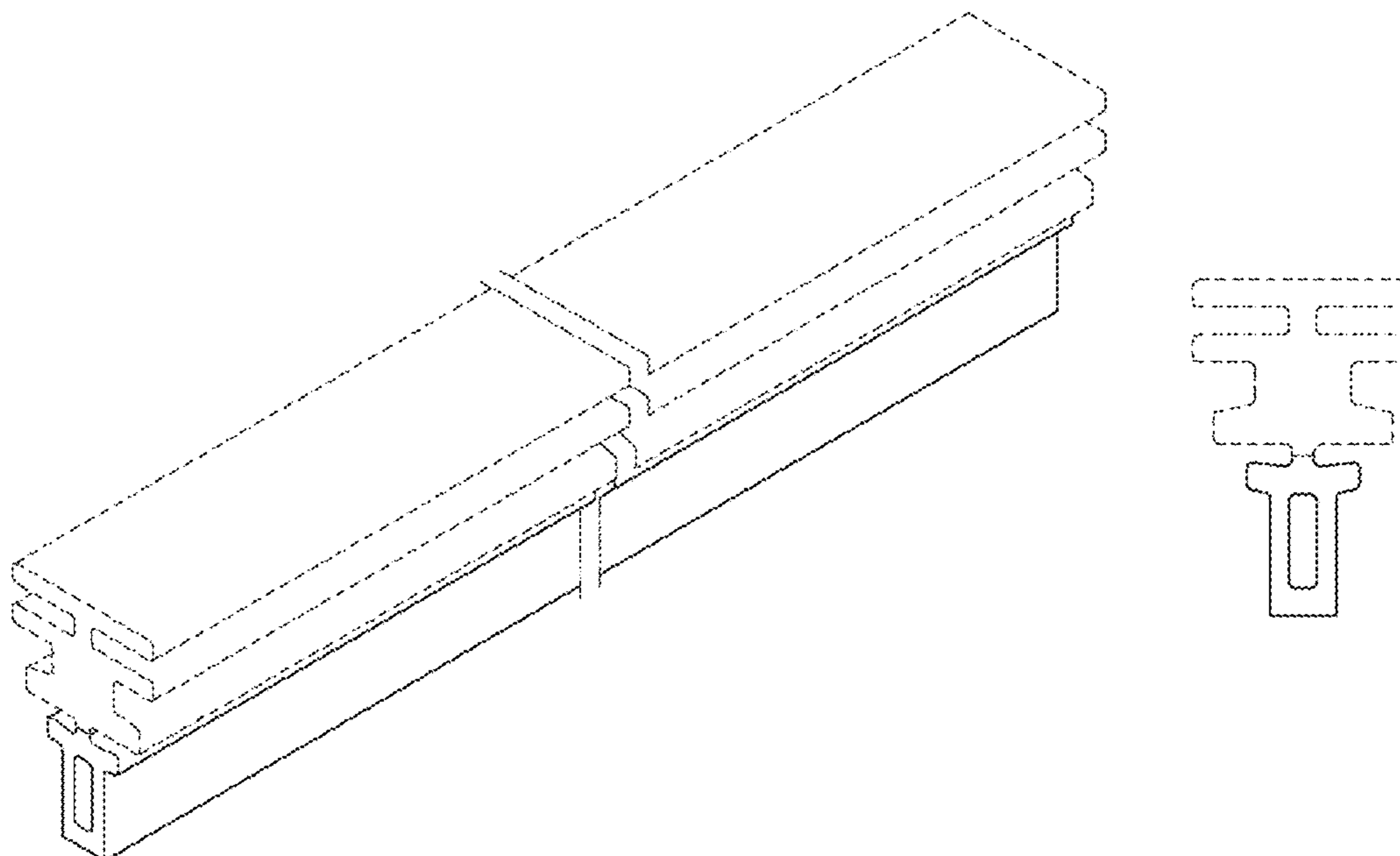
The broken lines form no part of the claimed design; the one-dot dash lines represent unclaimed boundary lines and form no part of claimed design; the parallel two-dot dash lines are separation lines, showing that any portion of the article beyond what is shown forms no part of the claimed design.

(56) **References Cited**

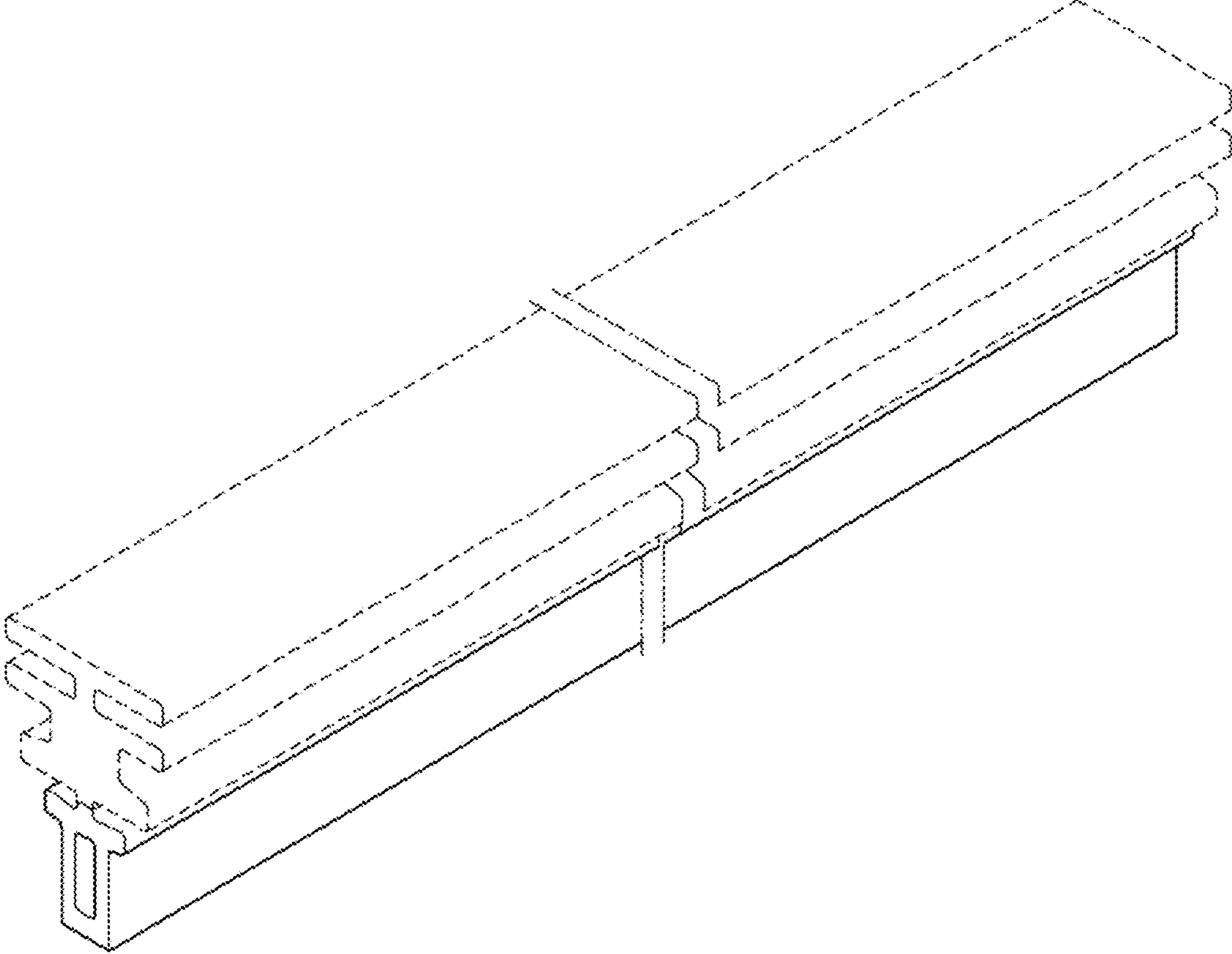
U.S. PATENT DOCUMENTS

D688,617 S * 8/2013 An D12/219

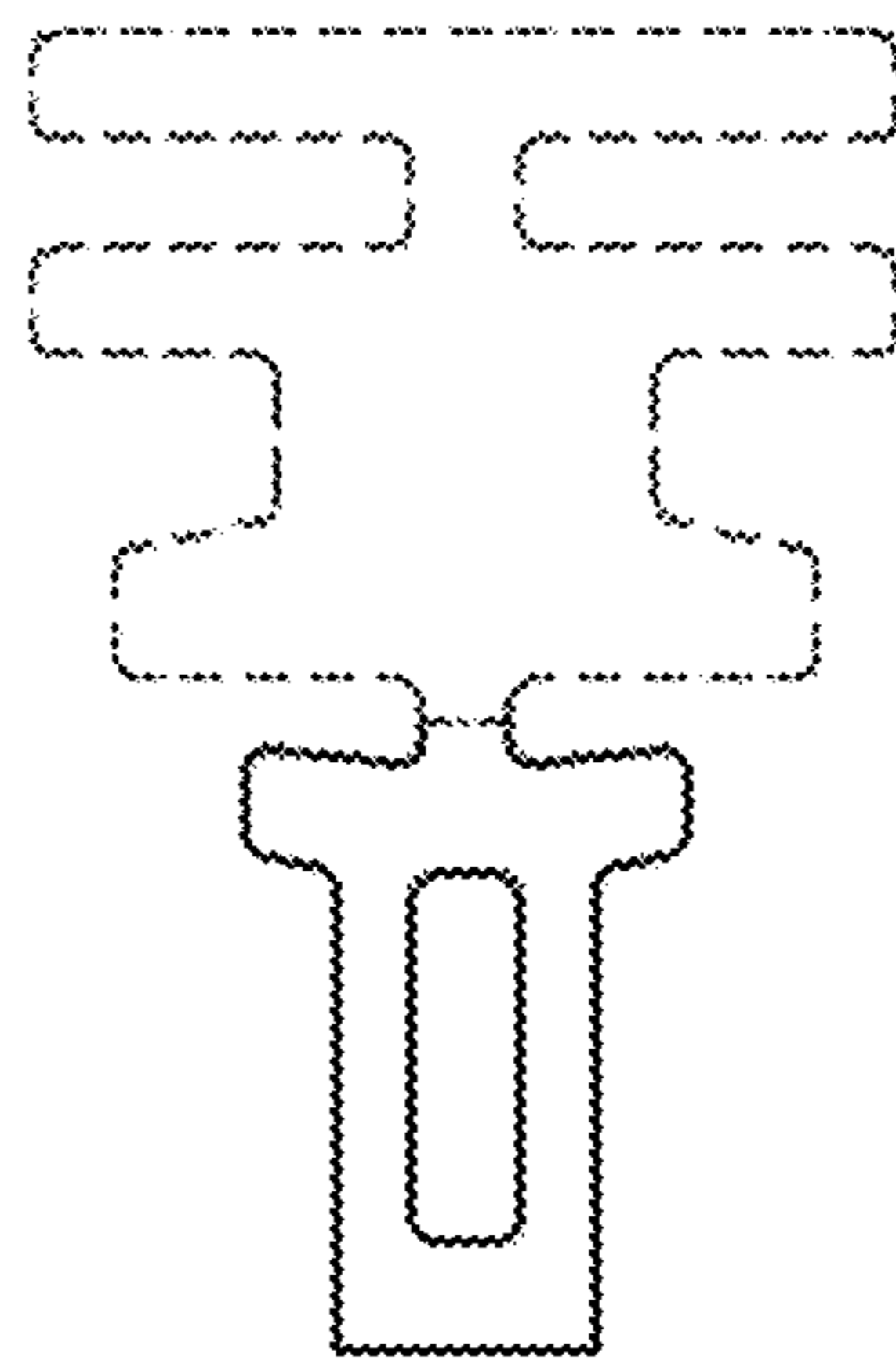
1 Claim, 7 Drawing Sheets



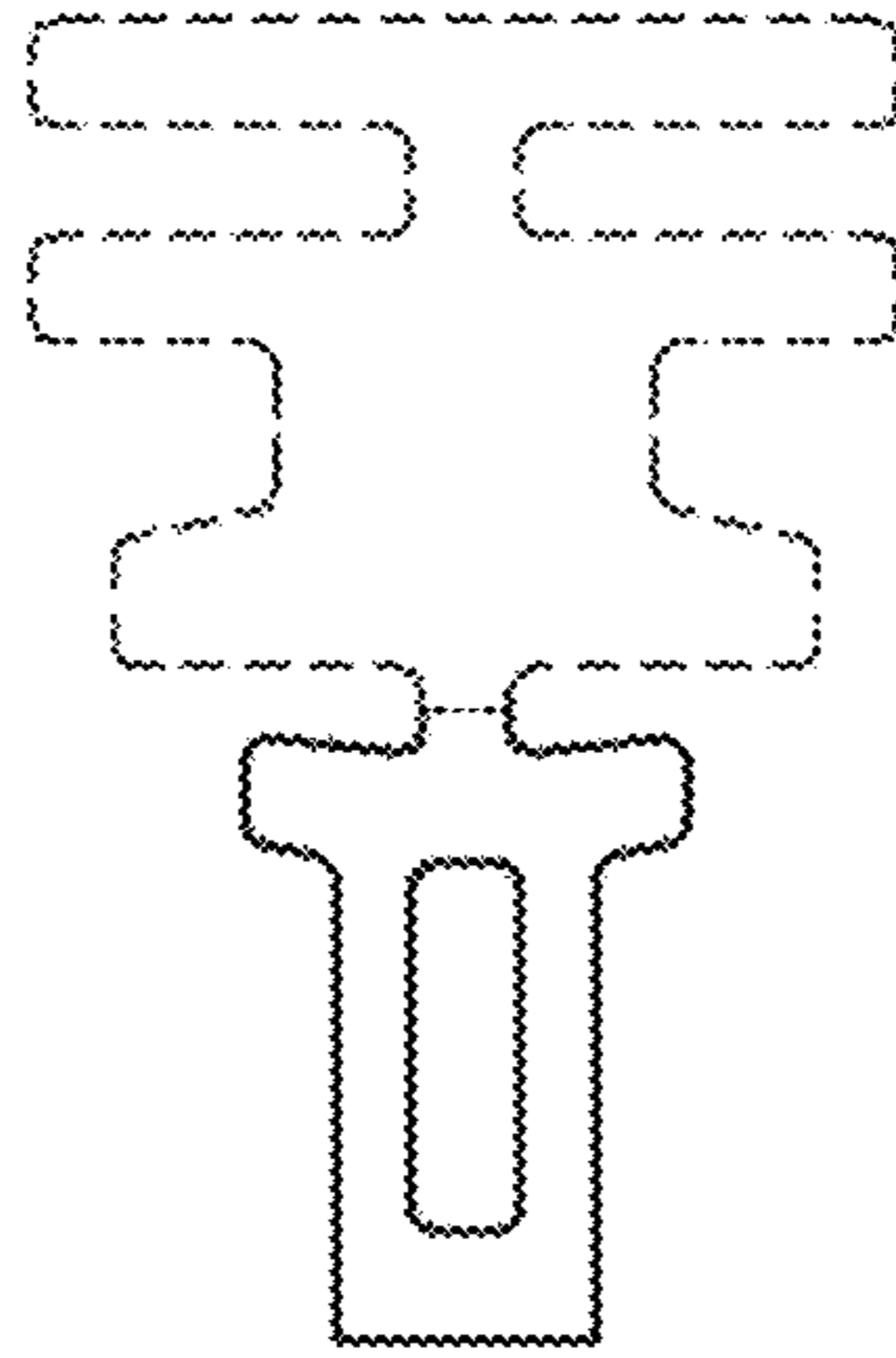
1.1



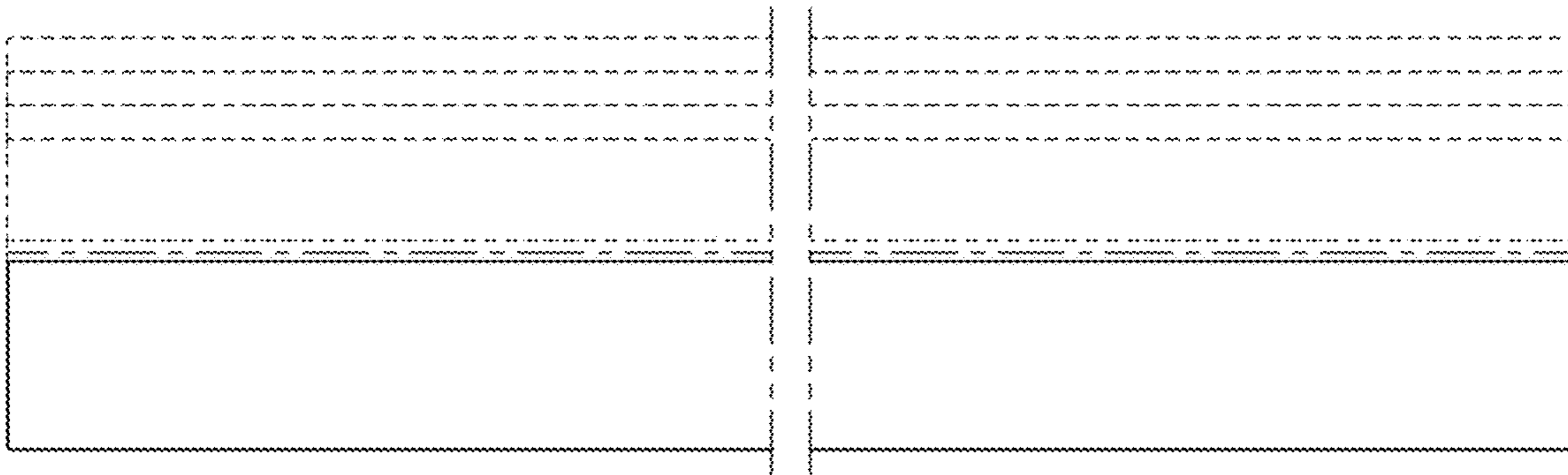
1.2



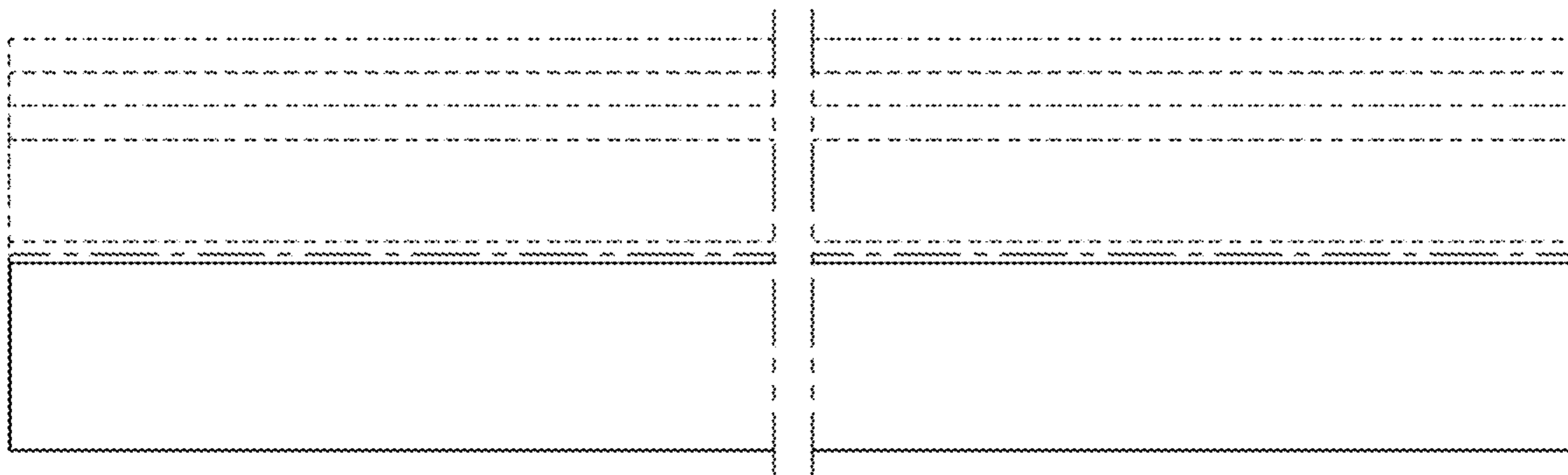
1.3



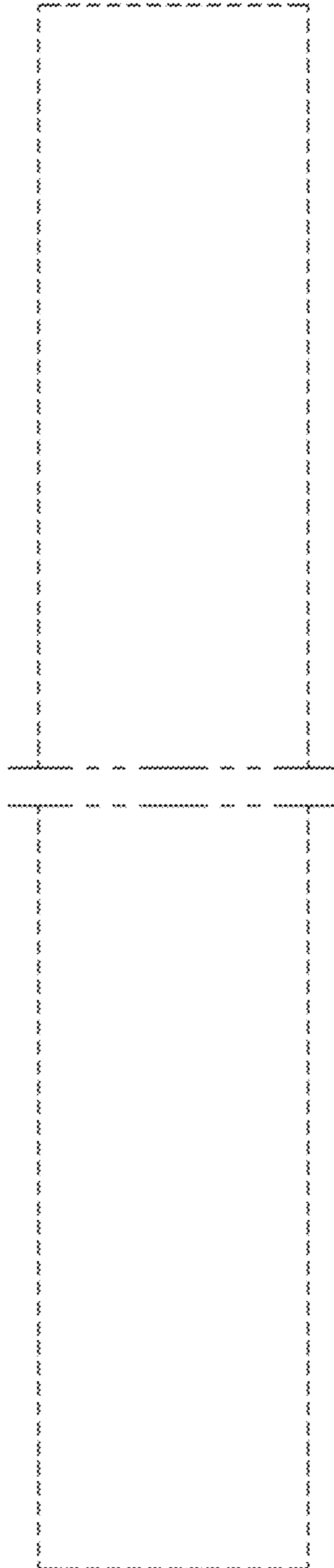
1.4



1.5



1.6



1.7

