



US00D833953S

(12) **United States Design Patent**
Hughes

(10) **Patent No.:** **US D833,953 S**

(45) **Date of Patent:** **** Nov. 20, 2018**

(54) **WHEEL RIM EXTENSION MOUNTING**

(71) Applicant: **Richard D Hughes**, Aurora, CO (US)

(72) Inventor: **Richard D Hughes**, Aurora, CO (US)

(**) Term: **15 Years**

(21) Appl. No.: **29/583,379**

(22) Filed: **Nov. 4, 2016**

(51) **LOC (11) Cl.** **12-16**

(52) **U.S. Cl.**
USPC **D12/212**

(58) **Field of Classification Search**
USPC D12/204–212
See application file for complete search history.

(56) **References Cited**

U.S. PATENT DOCUMENTS

D57,264 S *	3/1921	Putnam	D12/212
D177,452 S *	4/1956	Wood	D12/212
D185,010 S *	4/1959	Lyon	D12/212
D187,263 S *	2/1960	Aske, Jr.	301/37.23
D189,663 S *	1/1961	Lauve	301/37.23
D251,263 S *	3/1979	Willis	D12/212

D703,604 S *	4/2014	Milicevic	D12/213
8,985,706 B2 *	3/2015	Dower	B60B 7/01 301/37.24
D745,447 S *	12/2015	Bowden	D12/213
D788,012 S *	5/2017	Hughes	D12/212

* cited by examiner

Primary Examiner — Stacia A Cadmus

(74) *Attorney, Agent, or Firm* — Patent Law Offices of Rick Martin, P.C

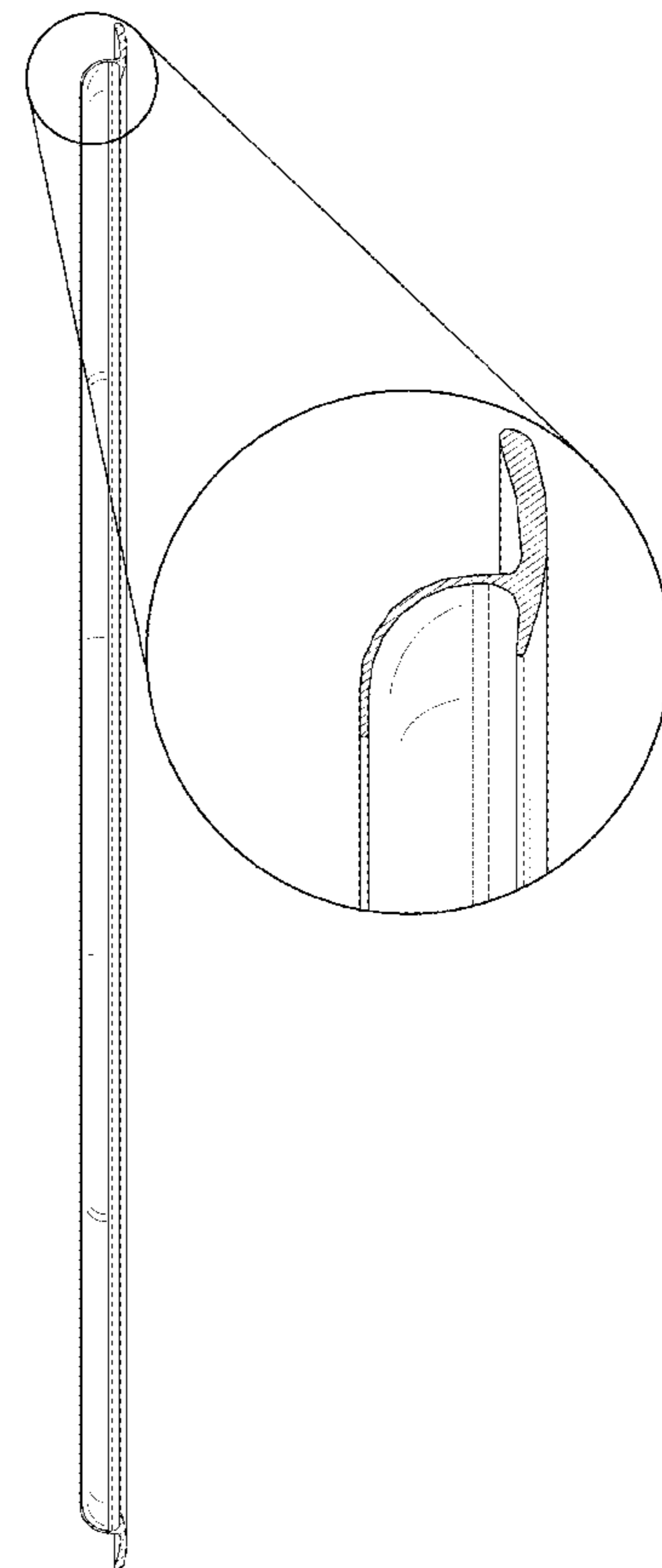
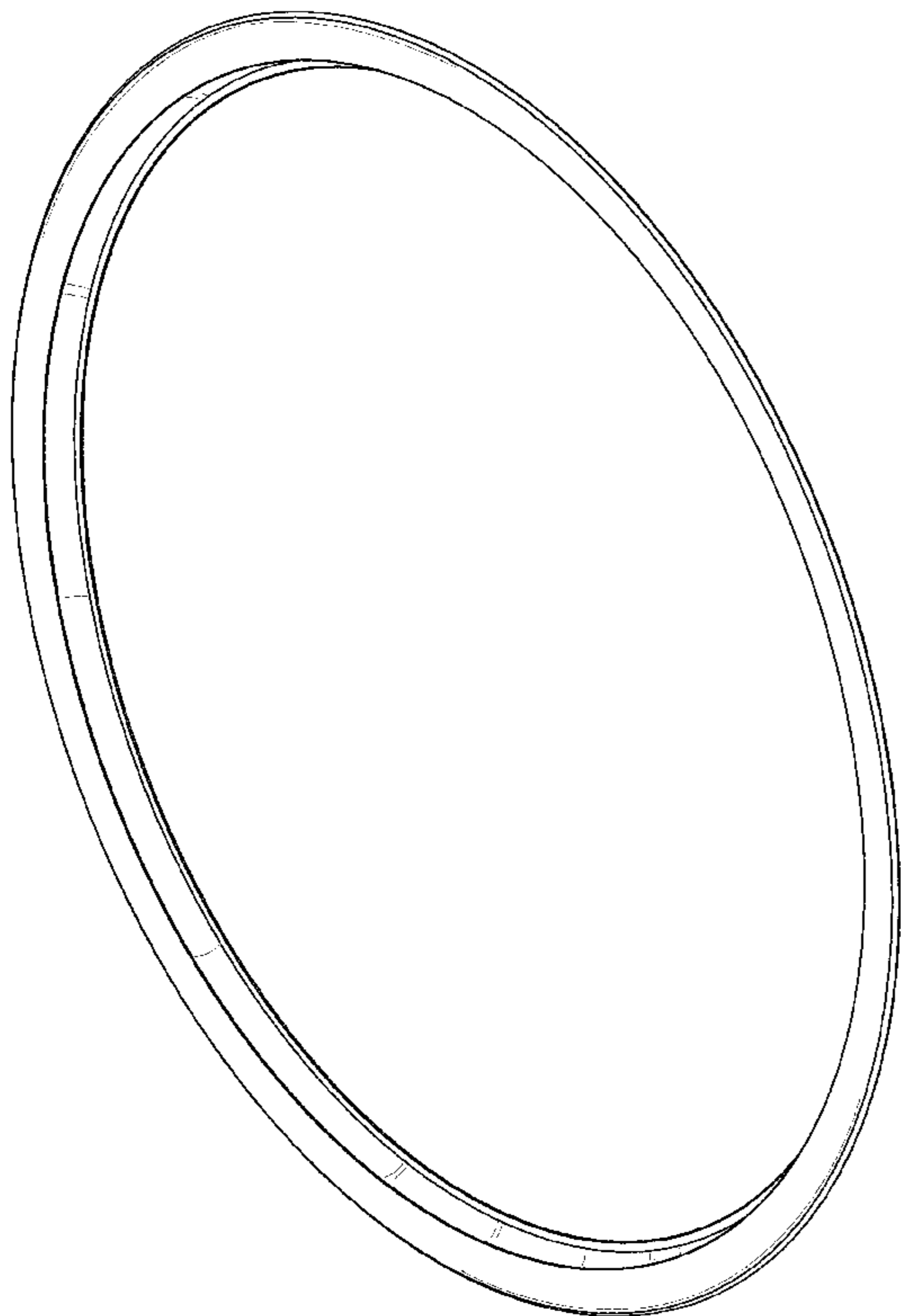
(57) **CLAIM**

The ornamental design for a wheel rim extension mounting, as shown and described.

DESCRIPTION

FIG. 1 is a top perspective view for a wheel rim extension mounting;
 FIG. 2 is a top plan view of my new design;
 FIG. 3 is a bottom plan view of my new design;
 FIG. 4 is a left side elevation view of my new design, a right side elevation being a mirror image thereof;
 FIG. 5 is a cross sectional view of my new design taken along line 5-5 of FIG. 2; and,
 FIG. 6 is a bottom perspective view of my new design.

1 Claim, 5 Drawing Sheets



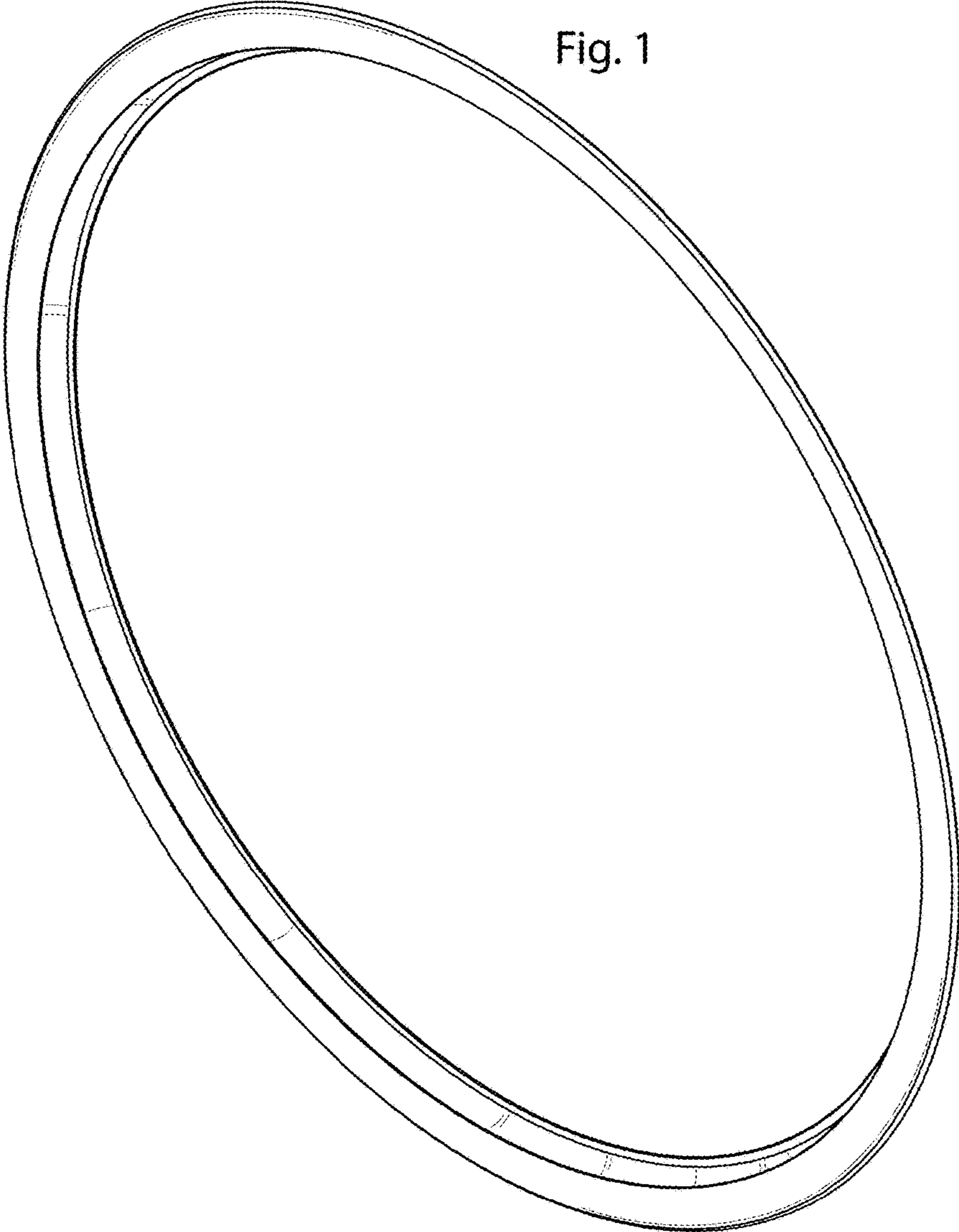


Fig. 1

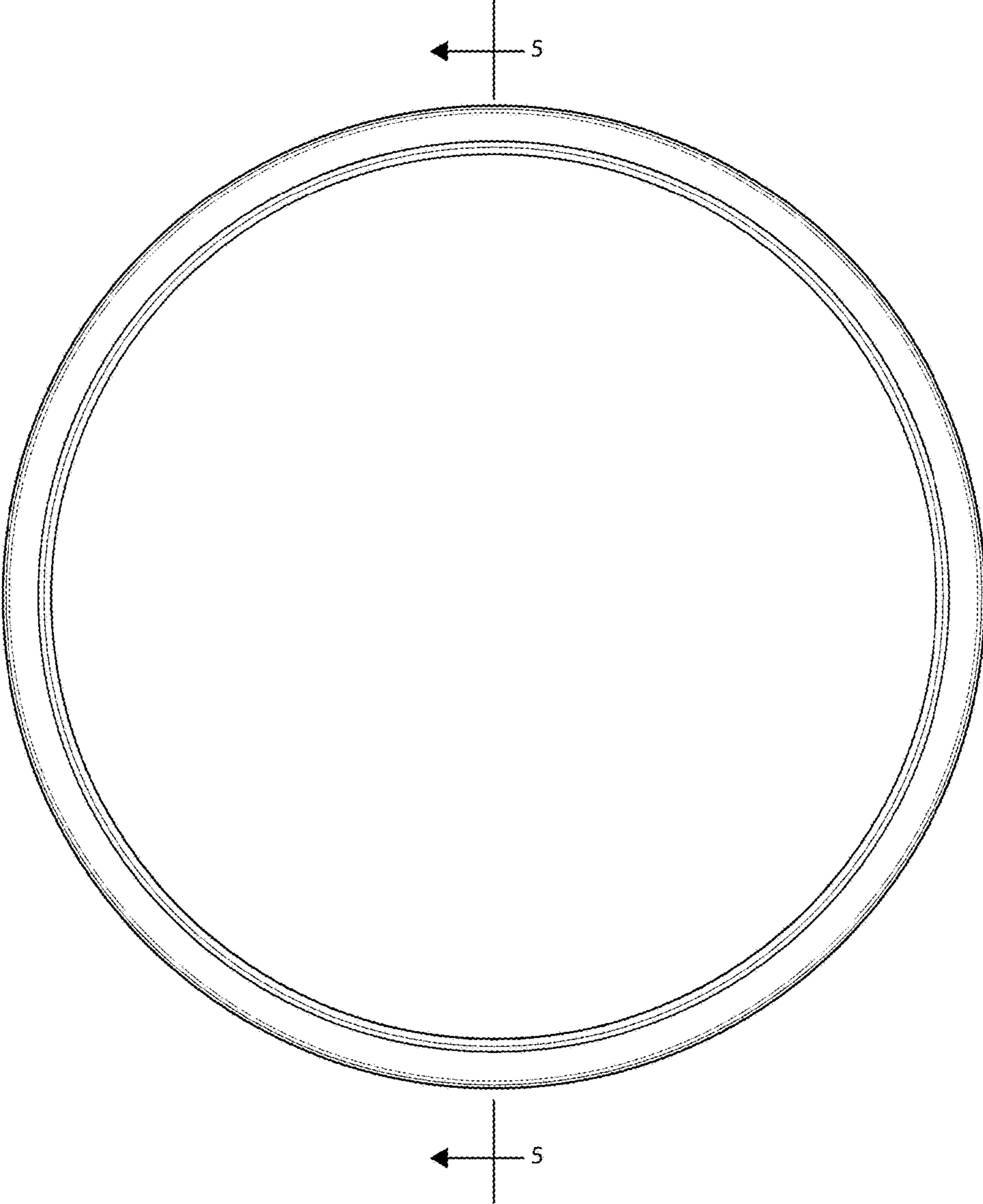


Fig. 2

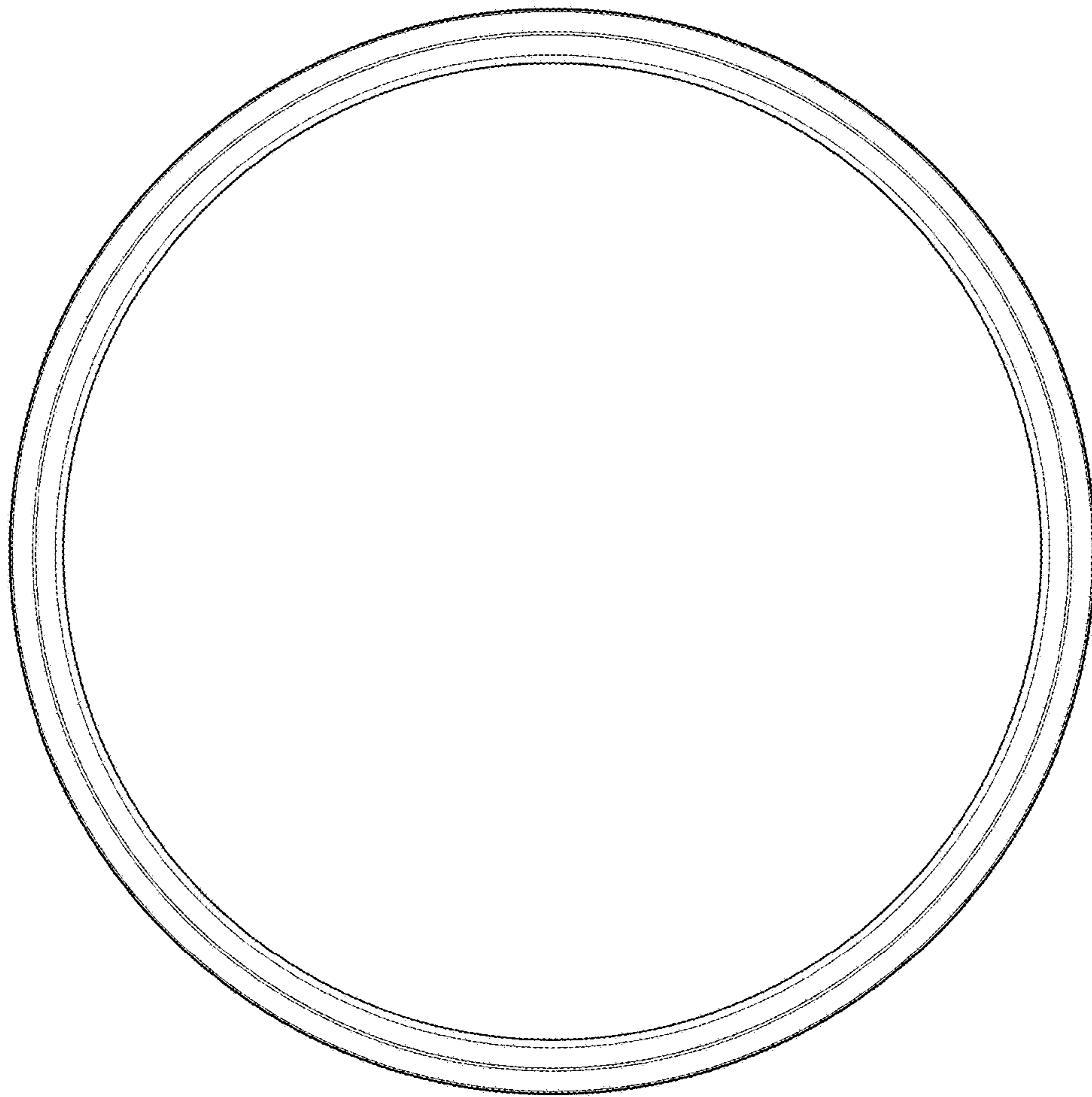


Fig. 3

Fig. 4

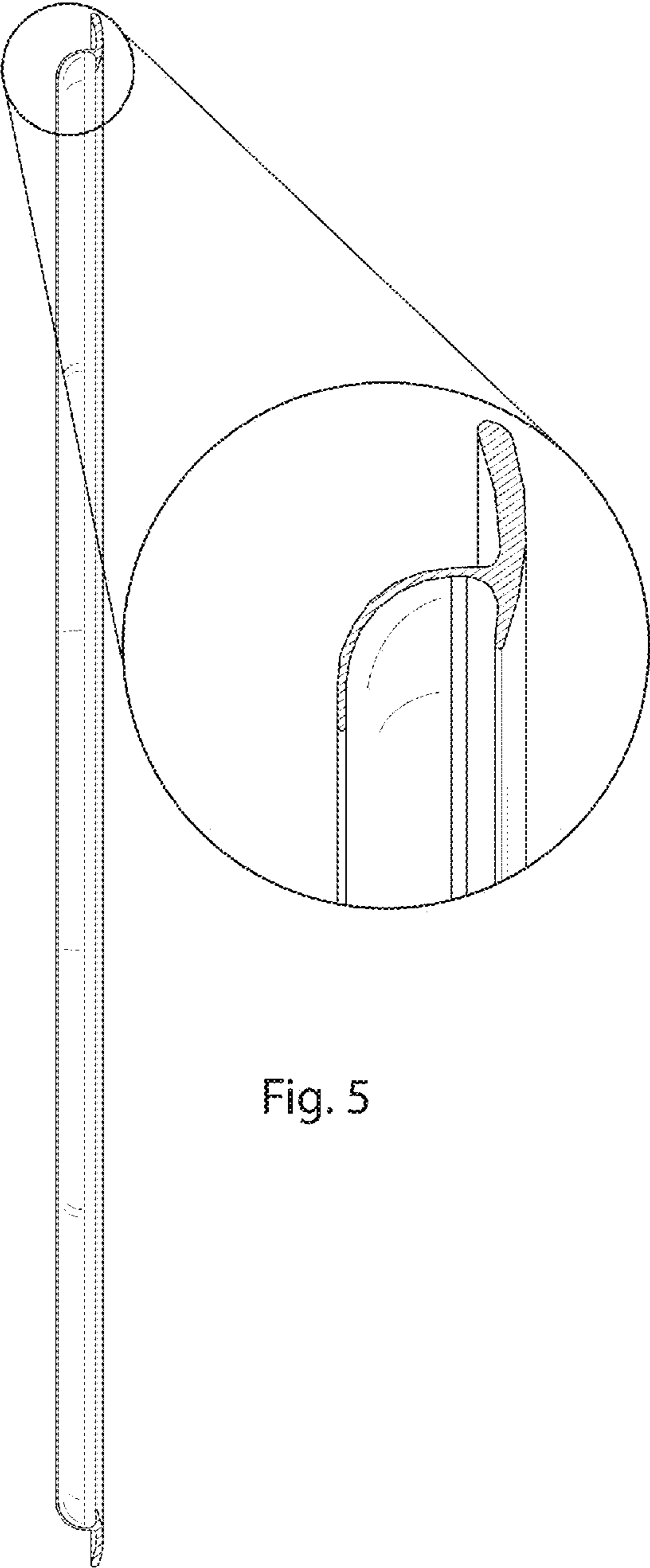


Fig. 5

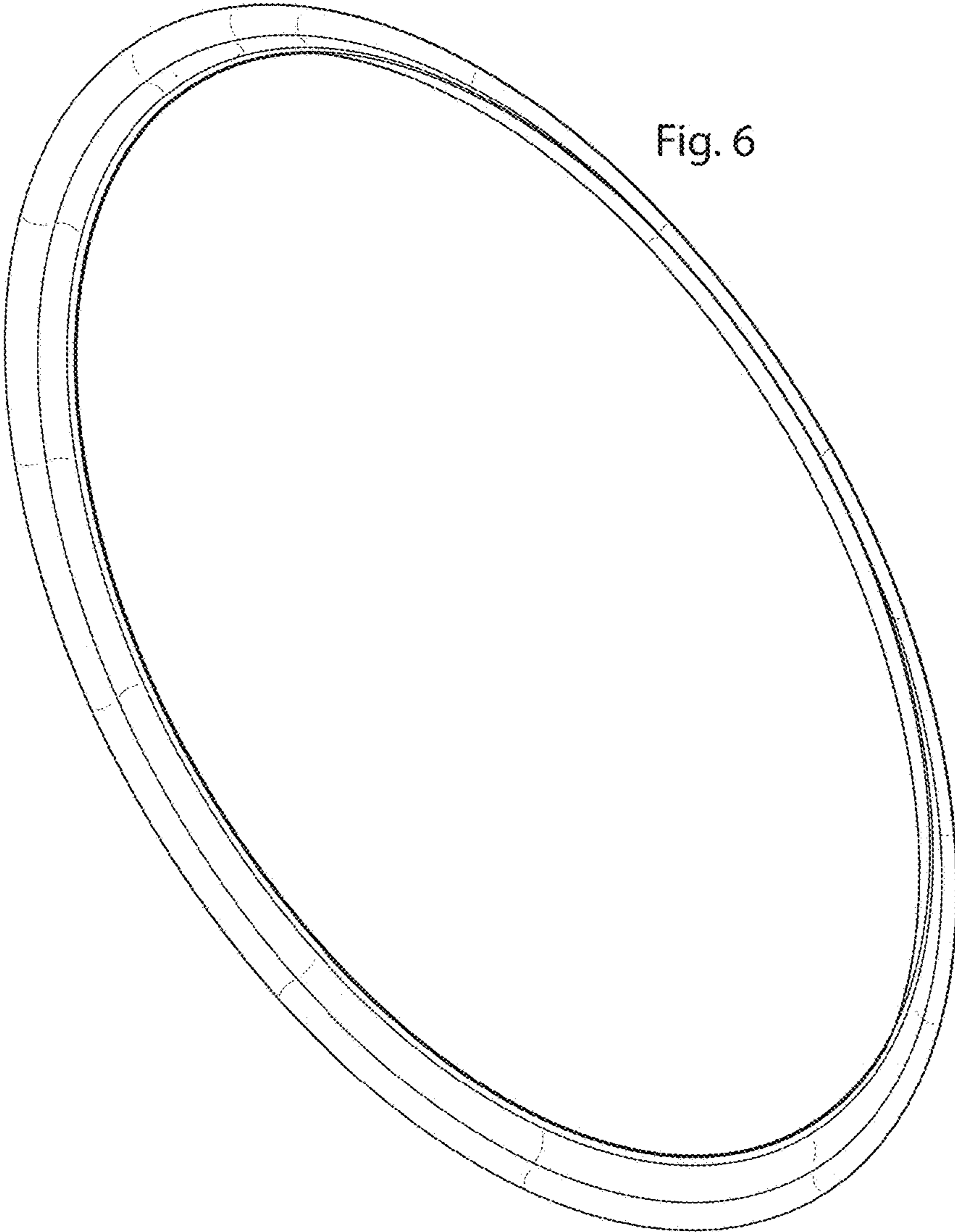


Fig. 6