



US00D833952S

(12) **United States Design Patent** (10) **Patent No.:** **US D833,952 S**
Bjerke (45) **Date of Patent:** **** Nov. 20, 2018**

(54) **VEHICLE WHEEL RIM**

(56) **References Cited**

(71) Applicant: **VOLVO CAR CORPORATION,**
Gothenburg (SE)

U.S. PATENT DOCUMENTS

(72) Inventor: **Ole-Kristian Bjerke,** Gothenburg (SE)

D730,795 S	6/2015	Mays et al.	
D763,763 S *	8/2016	Stone	D12/209
D778,801 S *	2/2017	Bucher	D12/211
D780,654 S *	3/2017	Gallert	D12/204
D791,670 S *	7/2017	Valencia Pollex	D12/209
D795,155 S *	8/2017	Valencia Pollex	D12/211
D798,217 S *	9/2017	Valencia Pollex	D12/211
D803,755 S *	11/2017	Widua	D12/211
D804,388 S *	12/2017	Snyder	D12/209
D805,457 S *	12/2017	Setter	D12/211
D805,991 S *	12/2017	Platto	D12/209
D805,993 S *	12/2017	Sempek	D12/211
D807,806 S *	1/2018	Peat	D12/209
D808,324 S *	1/2018	Ninov	D12/211

(**) Term: **15 Years**

(21) Appl. No.: **35/502,545**

(22) Filed: **Nov. 10, 2016**

(80) **Hague Agreement Data**

Int. Filing Date: **Nov. 10, 2016**
Int. Reg. No.: **DM/094896**
Int. Reg. Date: **Nov. 10, 2016**
Int. Reg. Pub. Date: **Mar. 3, 2017**

* cited by examiner

Primary Examiner — Michael A. Pratt

(30) **Foreign Application Priority Data**

May 13, 2016	(EM)	003126804-0001
May 13, 2016	(EM)	003126804-0002
May 13, 2016	(EM)	003126804-0003
May 13, 2016	(EM)	003126804-0004

(57) **CLAIM**

The ornamental design for a vehicle wheel rim, as shown and described.

(51) **LOC (11) Cl.** **12-16**

(52) **U.S. Cl.**
USPC **D12/211**

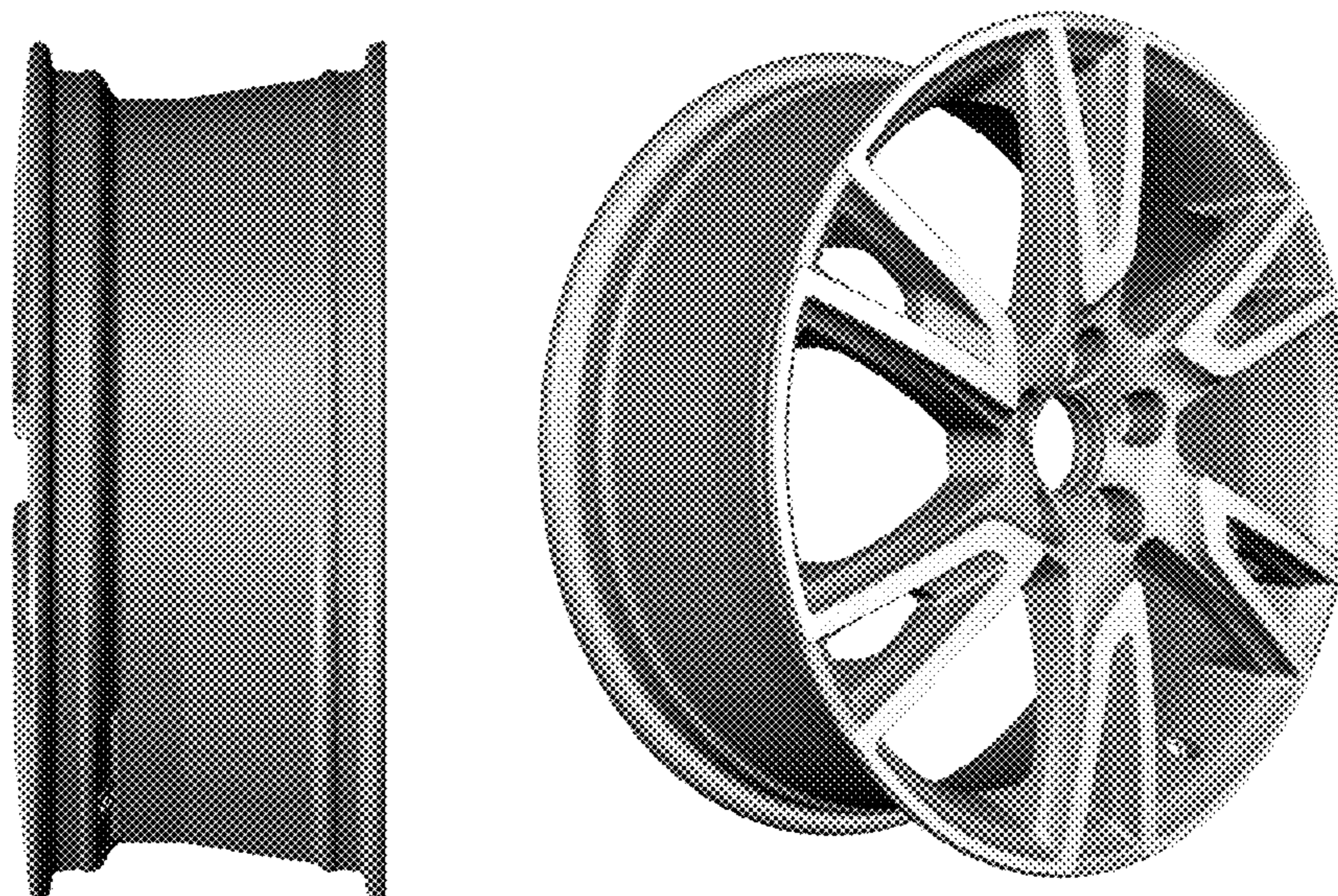
DESCRIPTION

(58) **Field of Classification Search**
USPC D12/204-206, 501
CPC B60B 7/0013; B60B 7/04; B60B 2320/50;
B60B 25/00; B60B 2900/572; B60B 7/01;
B60B 7/063; B60B 7/066

1. Vehicle wheel rim
- 1.1 is a front elevation view of a vehicle wheel rim illustrating the design of the present invention;
- 1.2 is a rear elevation view thereof;
- 1.3 is a left side elevation view thereof;
- 1.4 is a right side elevation view thereof;
- 1.5 is a top plan view thereof;
- 1.6 is a bottom plan view thereof;
- 1.7 is a front and left side perspective view thereof; and,
- 1.8 is a front and right side perspective view thereof.

See application file for complete search history.

1 Claim, 8 Drawing Sheets



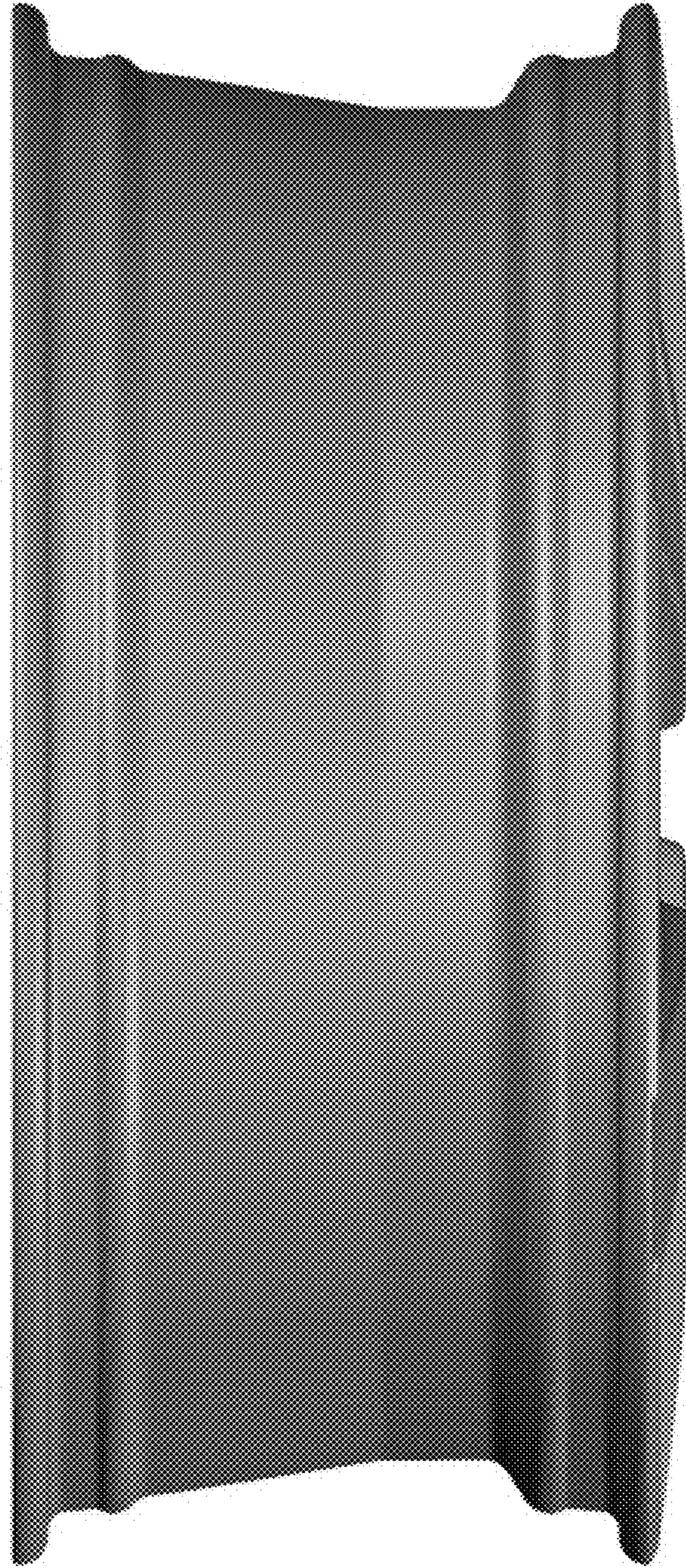
1.1



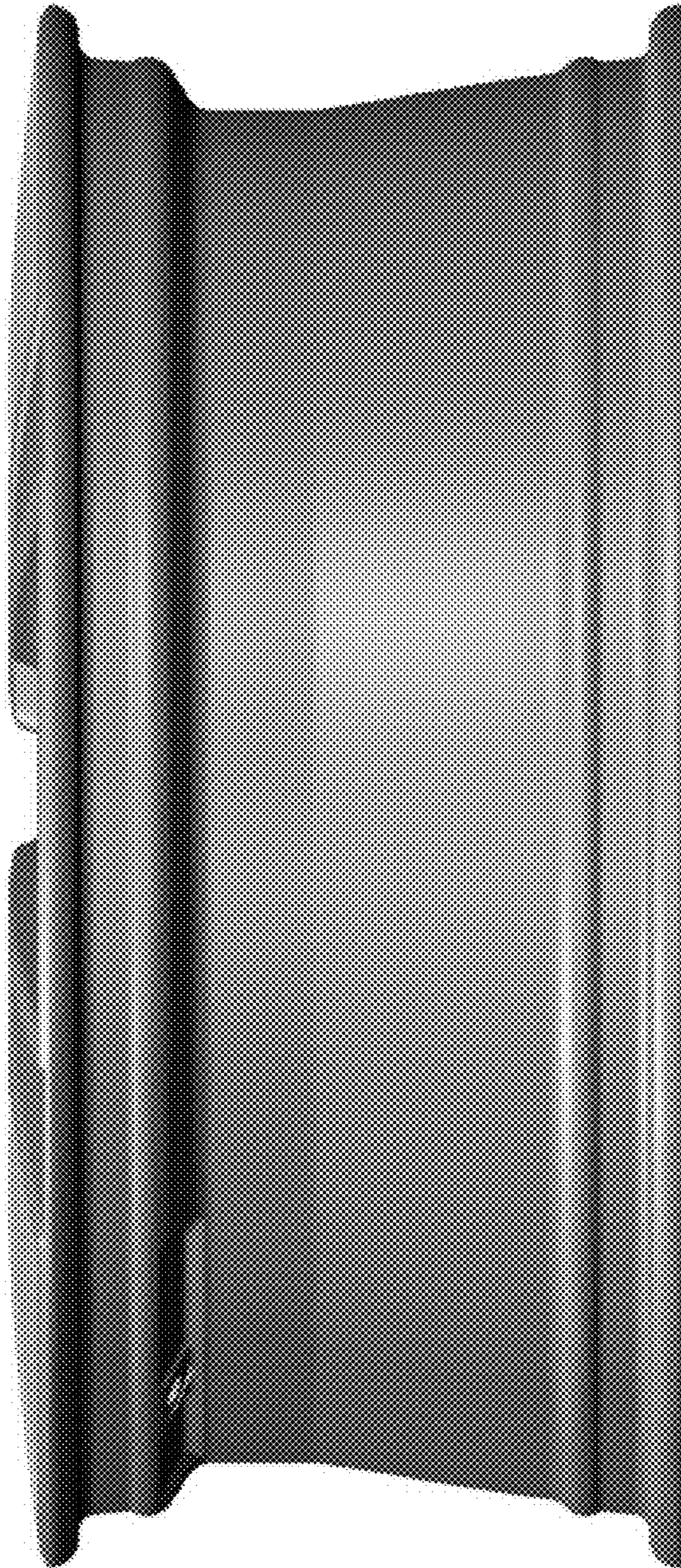
1.2



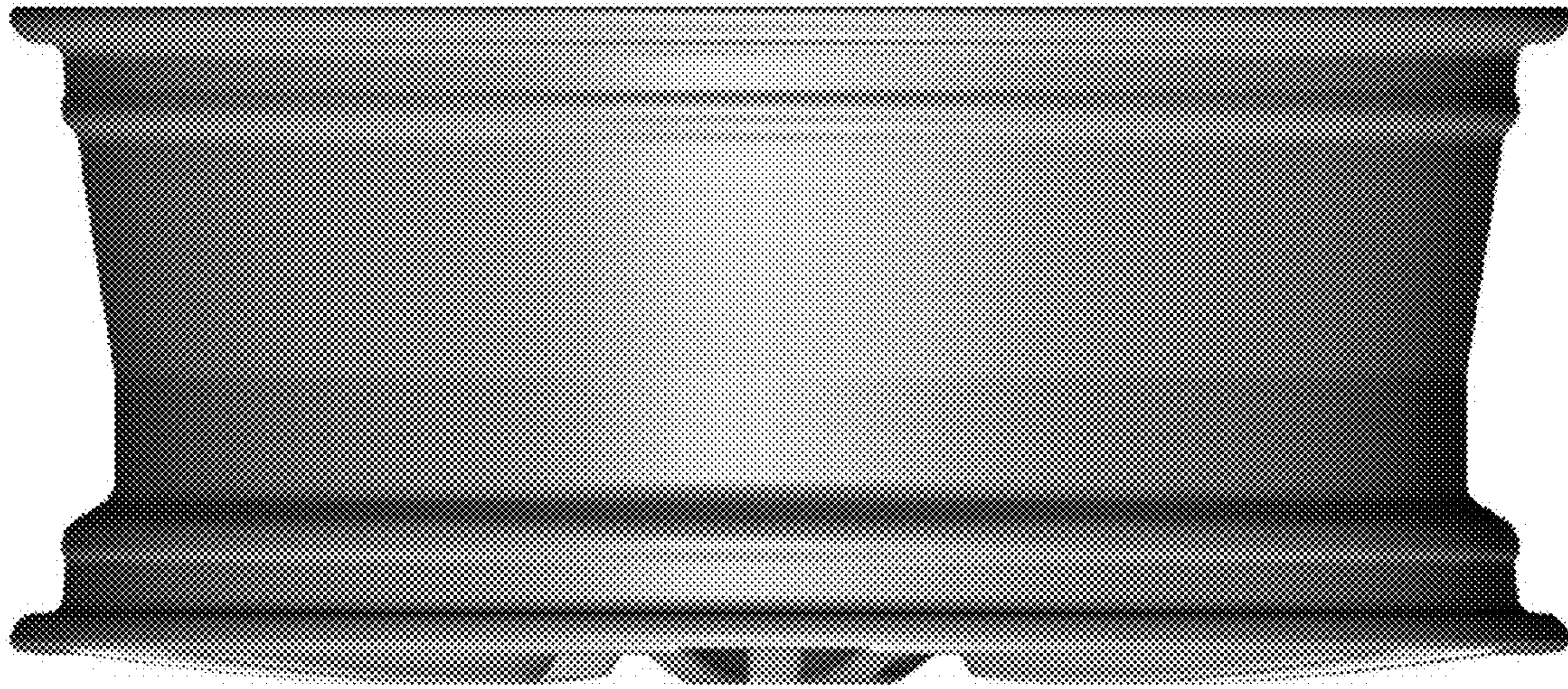
1.3



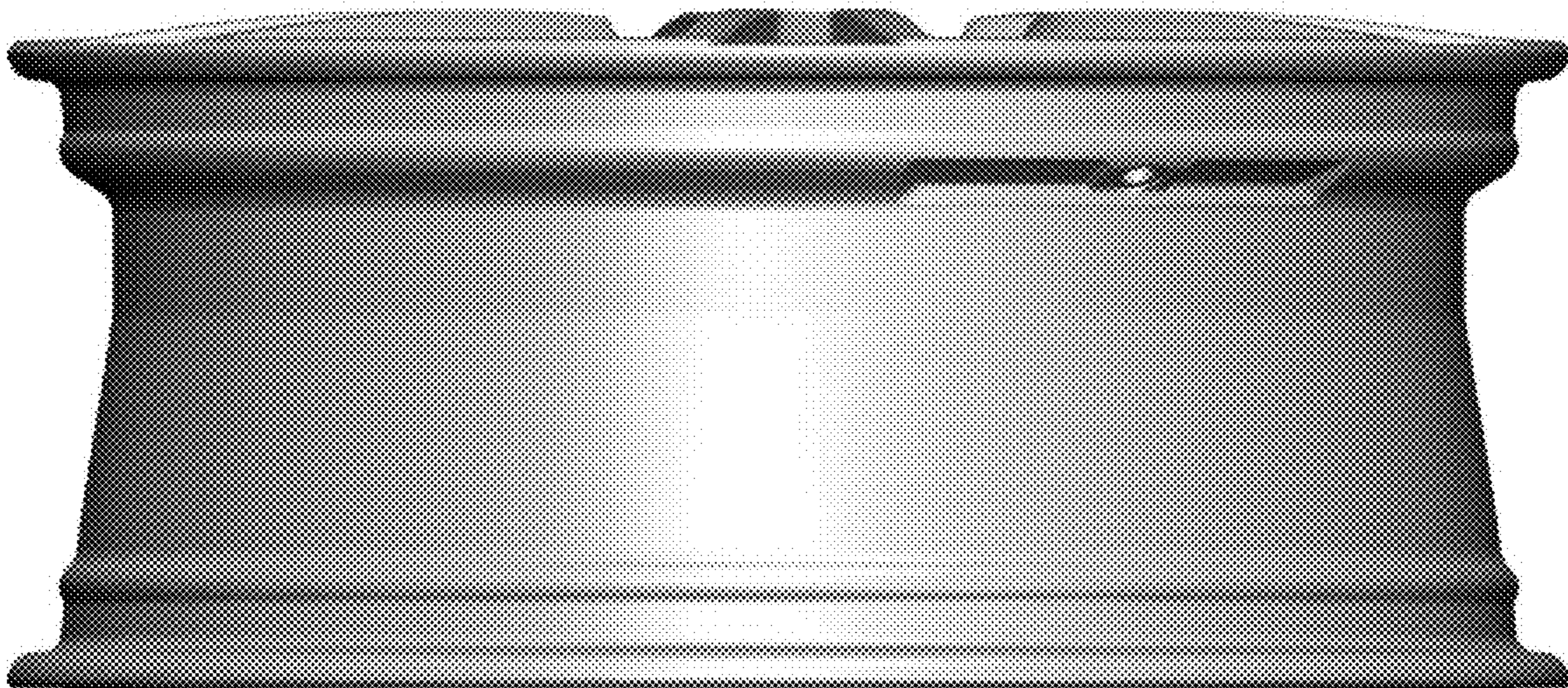
1.4



1.5



1.6



1.7



1.8

