



US00D833951S

(12) **United States Design Patent**
Wheel

(10) **Patent No.:** **US D833,951 S**

(45) **Date of Patent:** **** Nov. 20, 2018**

(54) **WHEEL**

(71) Applicant: **Jaguar Land Rover Limited**, Whitley,
Coventry (GB)

(72) Inventor: **Andrew Wheel**, Coventry (GB)

(73) Assignee: **Jaguar Land Rover Limited**, Whitley,
Coventry (GB)

(**) Term: **15 Years**

(21) Appl. No.: **29/603,187**

(22) Filed: **May 8, 2017**

(30) **Foreign Application Priority Data**

Nov. 11, 2016 (EM) 003459288-0002
Nov. 11, 2016 (EM) 003459288-0003

(51) **LOC (11) Cl.** **12-16**

(52) **U.S. Cl.**
USPC **D12/211**

(58) **Field of Classification Search**

USPC D12/400, 204–213, 217, 501; D9/452,
D9/538, 541, 546, 559, 669; D7/506,
D7/539, 540, 556, 563, 567, 615, 675,
D7/677; D21/763, 771, 779, 495, 561,
D21/563

CPC B60B 7/00; B60B 7/02; B60B 7/04; B60B
7/01; B60B 7/06; B60B 3/02; B60B 3/04;
B60B 3/06; B60B 3/10; B60B 1/00;
B60B 1/08; B60B 1/10; B60B 1/12

See application file for complete search history.

(56) **References Cited**

U.S. PATENT DOCUMENTS

D539,722 S * 4/2007 Pfeiffer D12/211
D609,624 S * 2/2010 Matsubara D12/211
D617,717 S * 6/2010 Nordmann D12/211

D619,523 S * 7/2010 Gallert D12/209
D627,286 S * 11/2010 Gallert D12/209
D634,692 S * 3/2011 Stefanov D12/211
D635,077 S * 3/2011 Nordmann D12/209
D638,765 S * 5/2011 Yoon D12/211
D671,060 S * 11/2012 Baum D12/209
D681,531 S * 5/2013 Fetherston D12/209
D682,179 S * 5/2013 Badstuebner D12/211
D686,965 S * 7/2013 Pollmann D12/211
D695,198 S * 12/2013 Juergens D12/211
D695,671 S * 12/2013 Chung D12/211
D697,858 S * 1/2014 Kito D12/209
D700,124 S * 2/2014 Gallert D12/211
D705,152 S * 5/2014 Nakamura D12/209
D707,165 S * 6/2014 Wheel D12/209

(Continued)

Primary Examiner — Susan Bennett Hattan

Assistant Examiner — Marie D. Fast Horse

(74) *Attorney, Agent, or Firm* — Wood Herron & Evans
LLP

(57) **CLAIM**

The ornamental design for a wheel, as shown and described.

DESCRIPTION

FIG. 1 is a front left perspective view of a wheel for a vehicle according to the present invention.

FIG. 2 is a front view of the wheel shown in FIG. 1.

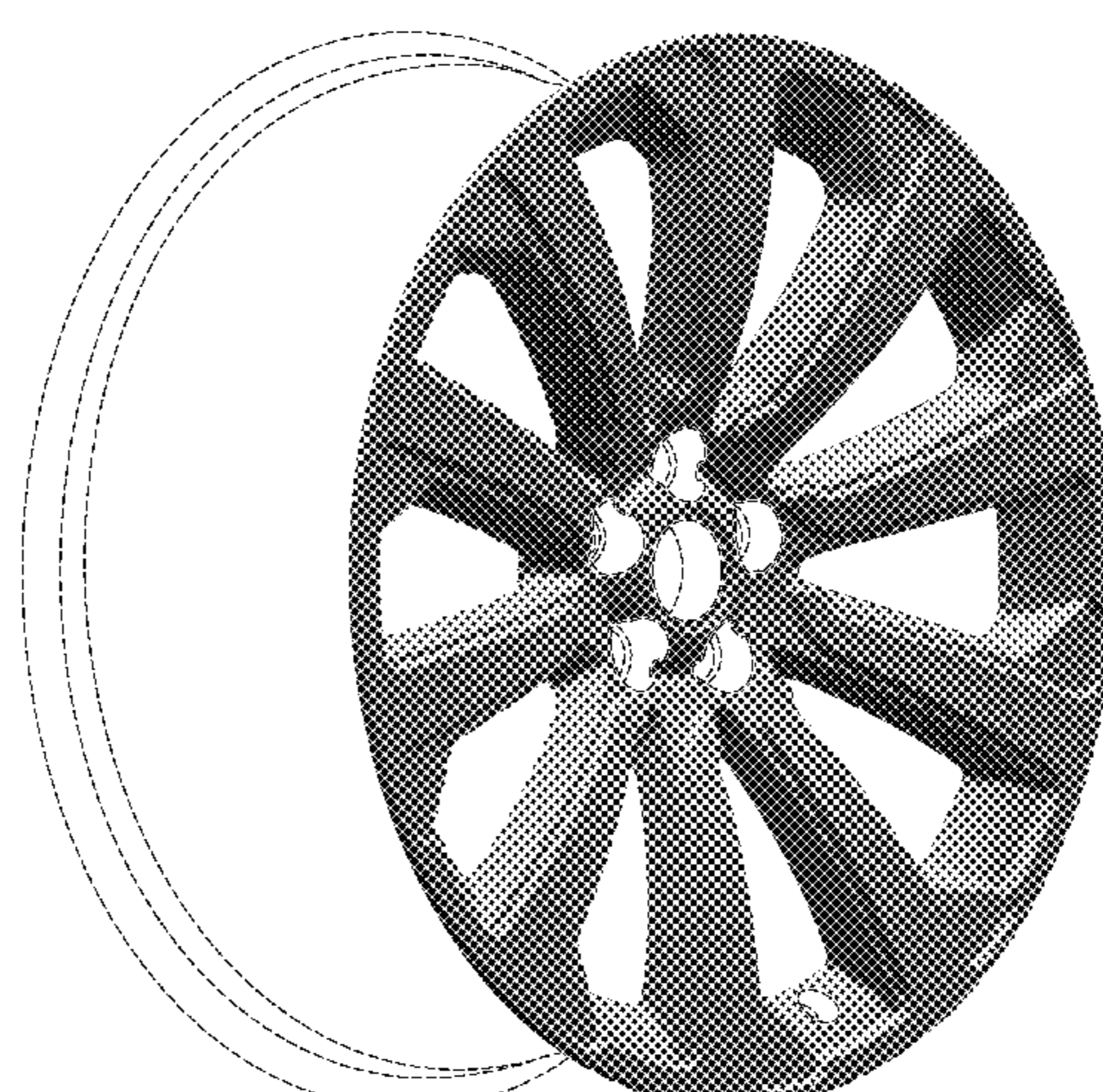
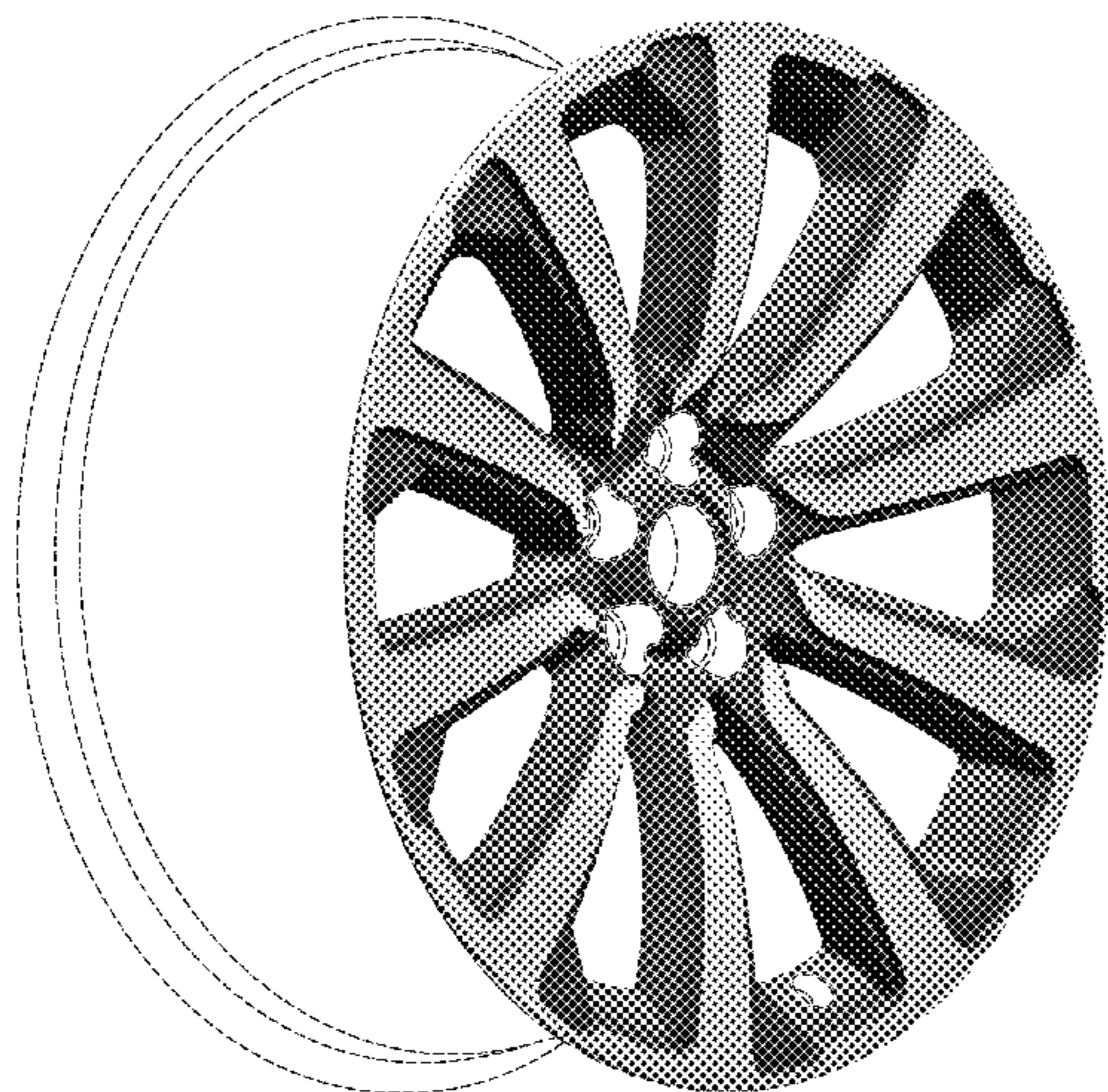
FIG. 3 is a left side view thereof, the right side being a mirror image thereof.

FIG. 4 is a front left perspective view of a wheel for a vehicle according to another embodiment of the present invention.

FIG. 5 is a front view of the wheel shown in FIG. 4; and, FIG. 6 is a left side view thereof, the right side being a mirror image thereof.

The broken lines in the drawings showing the rear portion of the wheel, the bolt holes, the center hole, and the valve stem hole, depict portions of the wheel that form no part of the claimed design.

1 Claim, 4 Drawing Sheets



(56)

References Cited

U.S. PATENT DOCUMENTS

D713,317 S *	9/2014	Akojima	D12/211
D714,204 S *	9/2014	Garbas	D12/204
D736,689 S *	8/2015	Lemke	D12/211
D744,930 S *	12/2015	Chung	D12/211
D745,842 S *	12/2015	Wheel	D12/209
D748,553 S *	2/2016	Miyazawa	D12/209
D752,499 S *	3/2016	Sze	D12/211
D759,565 S *	6/2016	Cybulski	D12/209
D761,182 S *	7/2016	Valencia Pollex	D12/211
D764,999 S *	8/2016	Song	D12/209
D774,438 S *	12/2016	Valencia Pollex	D12/209
D776,596 S *	1/2017	Wolff	D12/211
D781,205 S *	3/2017	O'Neill	D12/211
D785,533 S *	5/2017	Pires	D12/209
D788,678 S *	6/2017	Svensson	D12/211
D795,148 S *	8/2017	Ariga	D12/209
D795,151 S *	8/2017	Valencia Pollex	D12/209
D795,777 S *	8/2017	Valencia Pollex	D12/211
D798,214 S *	9/2017	Kolb	D12/211
D803,754 S *	11/2017	Chung	D12/211

* cited by examiner



FIG. 1



FIG. 2

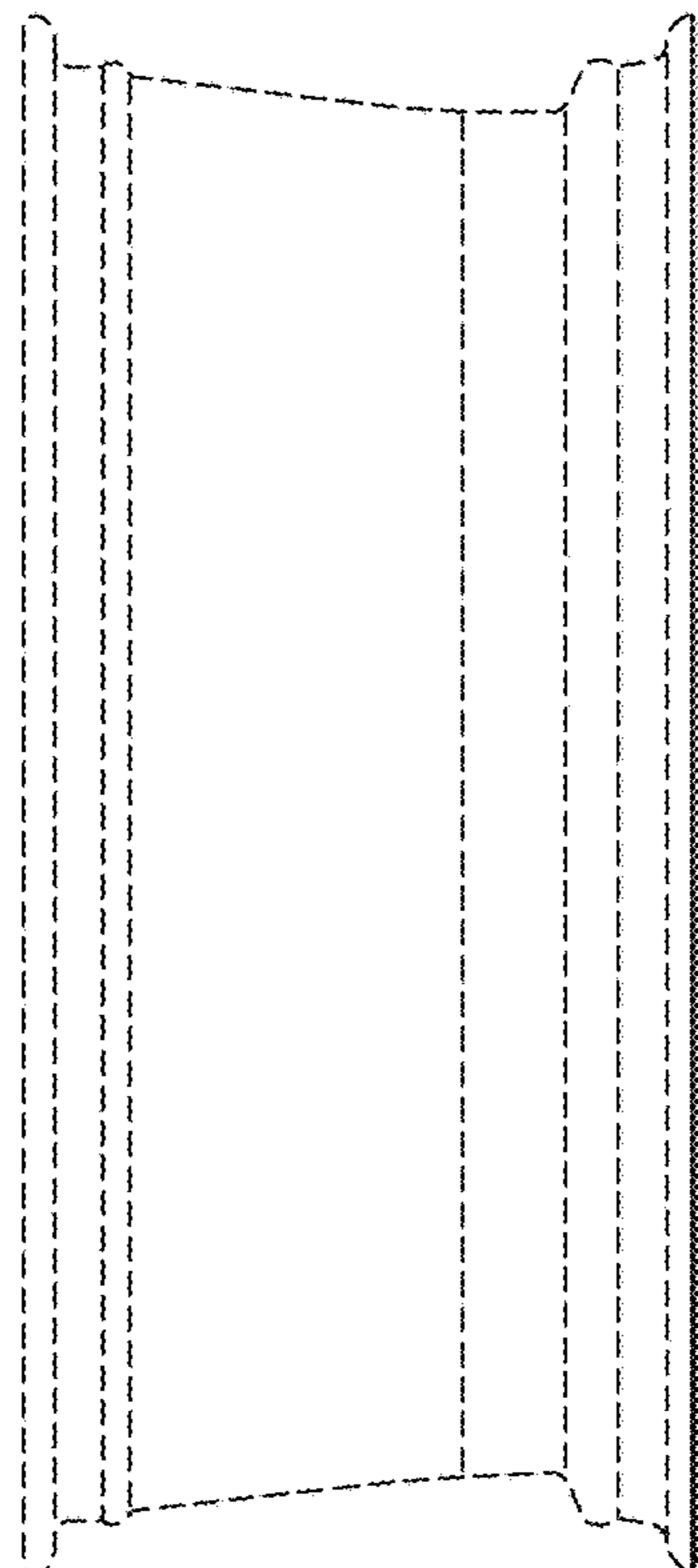


FIG. 3

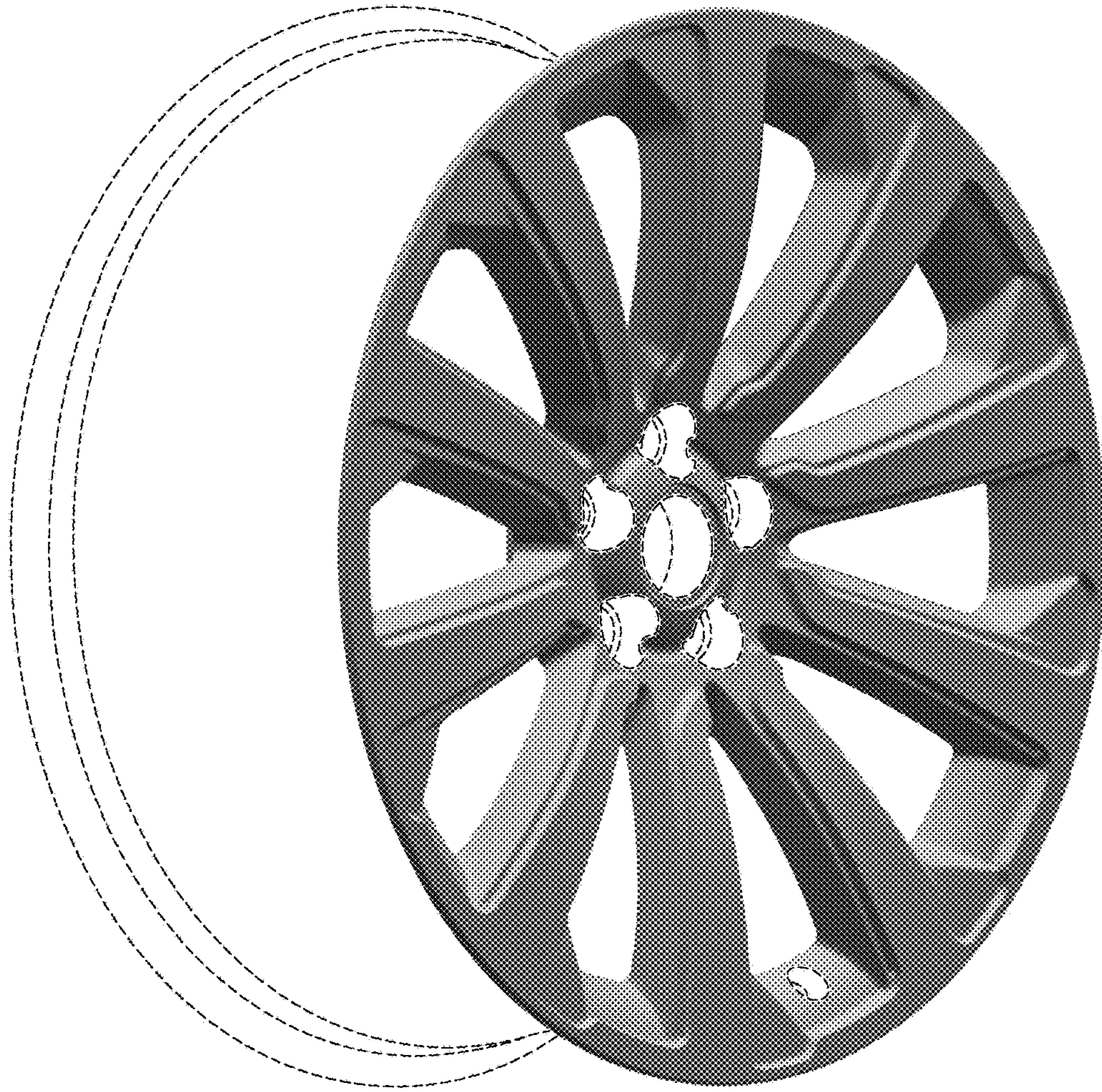


FIG. 4

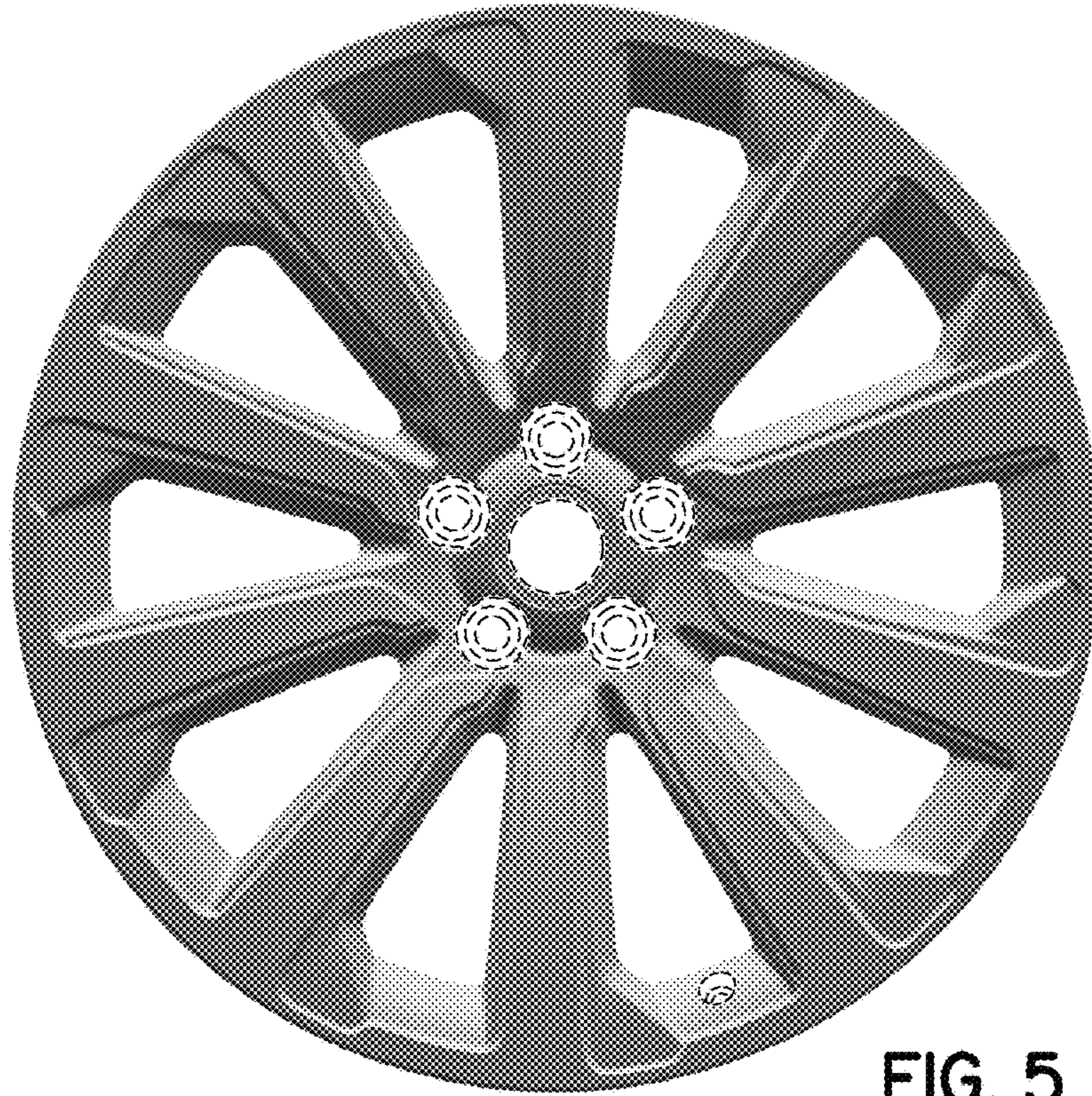


FIG. 5

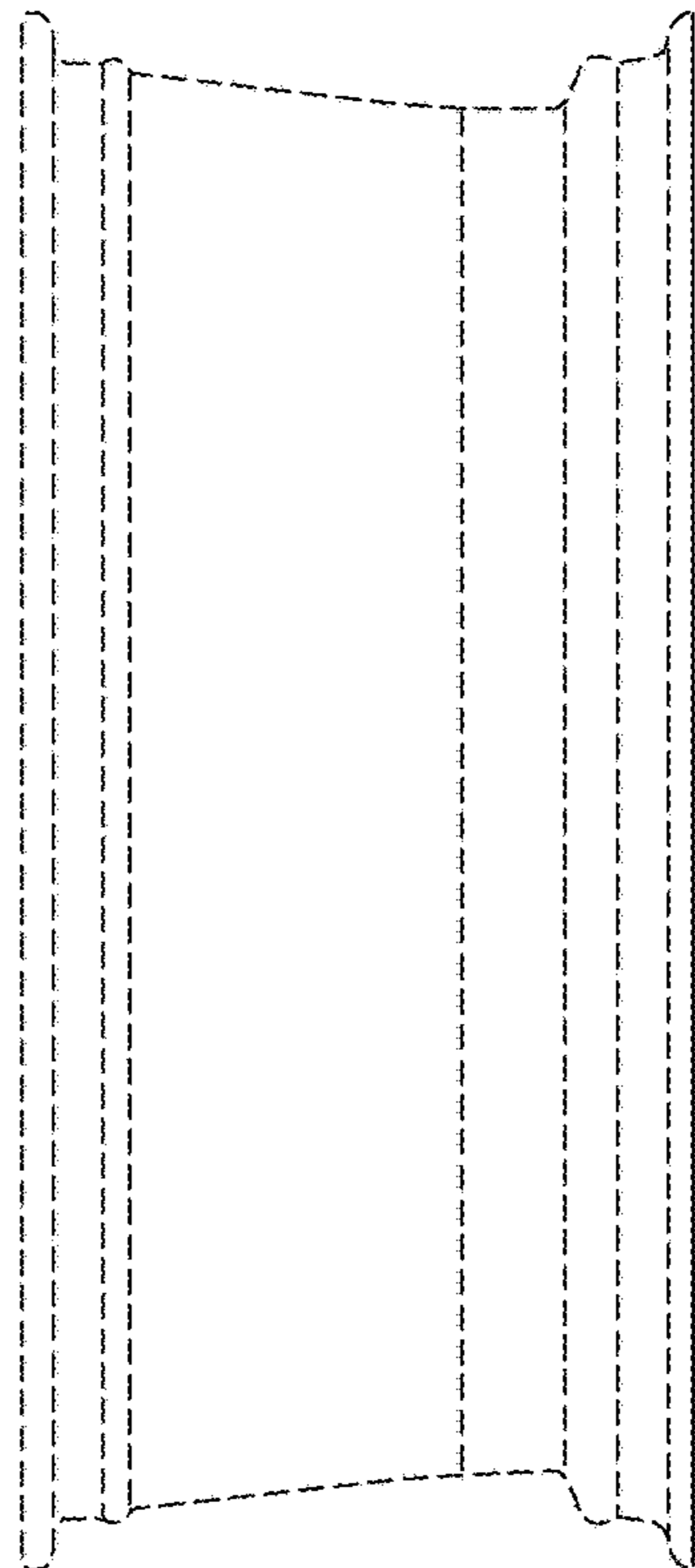


FIG. 6