



US00D833949S

(12) **United States Design Patent**
Sempek

(10) **Patent No.:** **US D833,949 S**

(45) **Date of Patent:** **** Nov. 20, 2018**

(54) **WHEEL RIM**

(71) Applicant: **Allied Wheel Components**, Garden Grove, CA (US)

(72) Inventor: **Christopher Sean Sempek**, Long Beach, CA (US)

(73) Assignee: **ALLIED WHEEL COMPONENTS**, Garden Grove, CA (US)

(**) Term: **15 Years**

(21) Appl. No.: **29/584,463**

(22) Filed: **Nov. 15, 2016**

(51) **LOC (11) Cl.** **12-16**

(52) **U.S. Cl.**
USPC **D12/211**

(58) **Field of Classification Search**
USPC D12/204–213
CPC B60B 7/00; B60B 7/02; B60B 7/04; B60B 7/01; B60B 7/06; B60B 3/02; B60B 3/04; B60B 3/06; B60B 3/10; B60B 1/00; B60B 1/08; B60B 1/10; B60B 1/12
See application file for complete search history.

(56) **References Cited**

U.S. PATENT DOCUMENTS

D367,635 S	*	3/1996	Odette	D12/209
D392,237 S	*	3/1998	Kelley	D12/209
D399,470 S	*	10/1998	Sacco	D12/209
D425,472 S	*	5/2000	Donikoglu	D12/209
D428,844 S	*	8/2000	Wang	D12/209
D465,758 S	*	11/2002	Plessing	D12/211

D467,856 S	*	12/2002	Pfeiffer	D12/209
D486,110 S	*	2/2004	Elmitt	D12/211
D507,225 S	*	7/2005	Velazco	D12/211
D534,114 S	*	12/2006	Holstein	D12/211
D535,934 S	*	1/2007	Scheu	D12/211
D579,847 S	*	11/2008	Hieke	D12/211
D580,334 S	*	11/2008	Blasi	D12/211
D597,916 S	*	8/2009	Chung	D12/209
D639,222 S	*	6/2011	Johnson	
D664,910 S	*	8/2012	Gallert	D12/211
D783,500 S	*	4/2017	Hubers	D12/211
D786,163 S	*	5/2017	Wuescher	D12/211

OTHER PUBLICATIONS

Raceline Wheels catalog, vol. 22; Dec. 2, 2015.
Raceline Wheels catalog, vol. 26, Mar. 23, 2016.

* cited by examiner

Primary Examiner — Stacia A Cadmus
(74) *Attorney, Agent, or Firm* — Fish IP Law, LLP

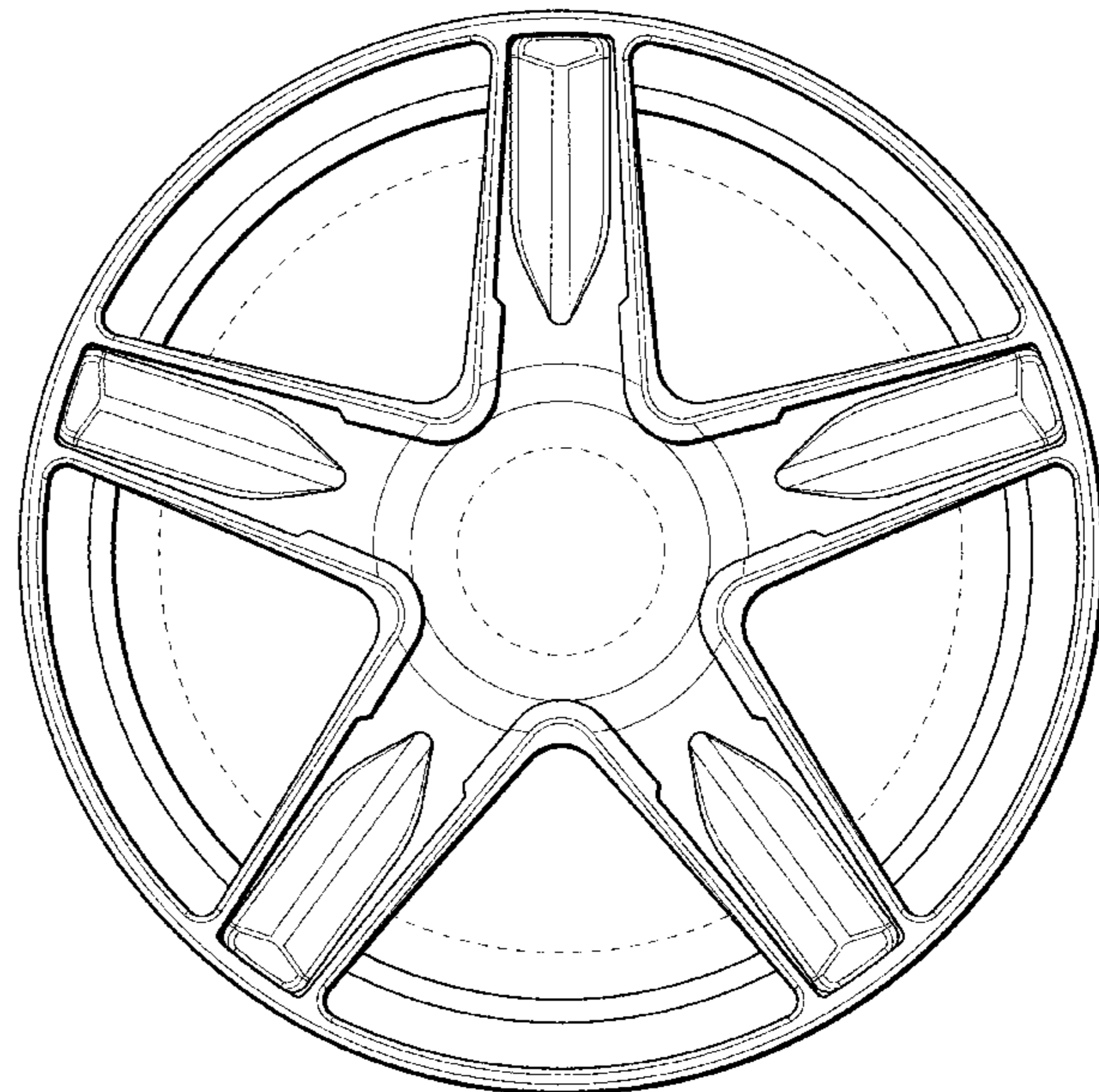
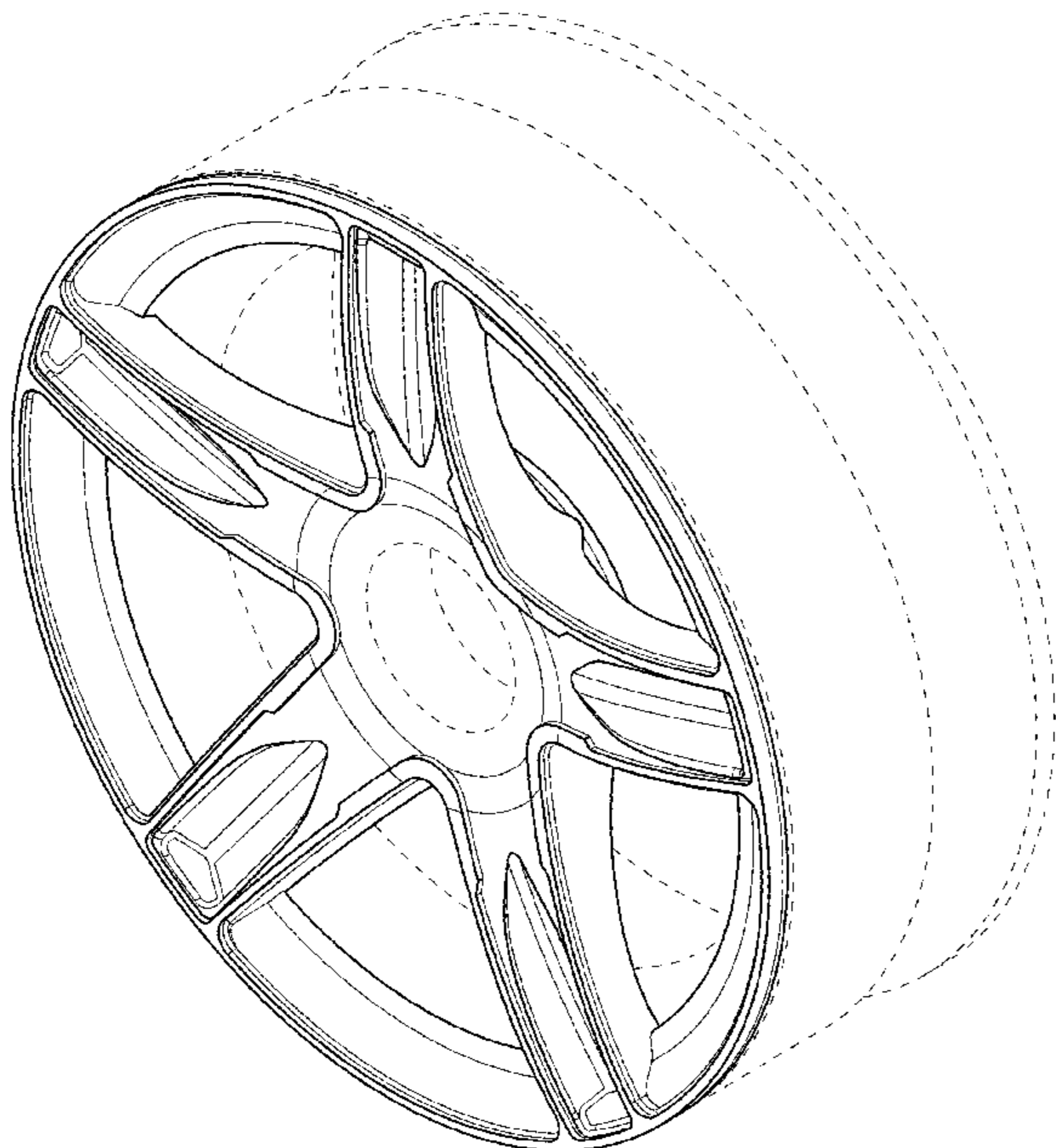
(57) **CLAIM**

The ornamental design for a wheel rim, as shown and described.

DESCRIPTION

FIG. 1 is a top, front, right side perspective view of a wheel rim of the new design; and, FIG. 2 is a front elevation view thereof. In the drawings, the broken lines are included for the purpose of illustrating environmental subject matter and form no part of the claimed design.

1 Claim, 2 Drawing Sheets



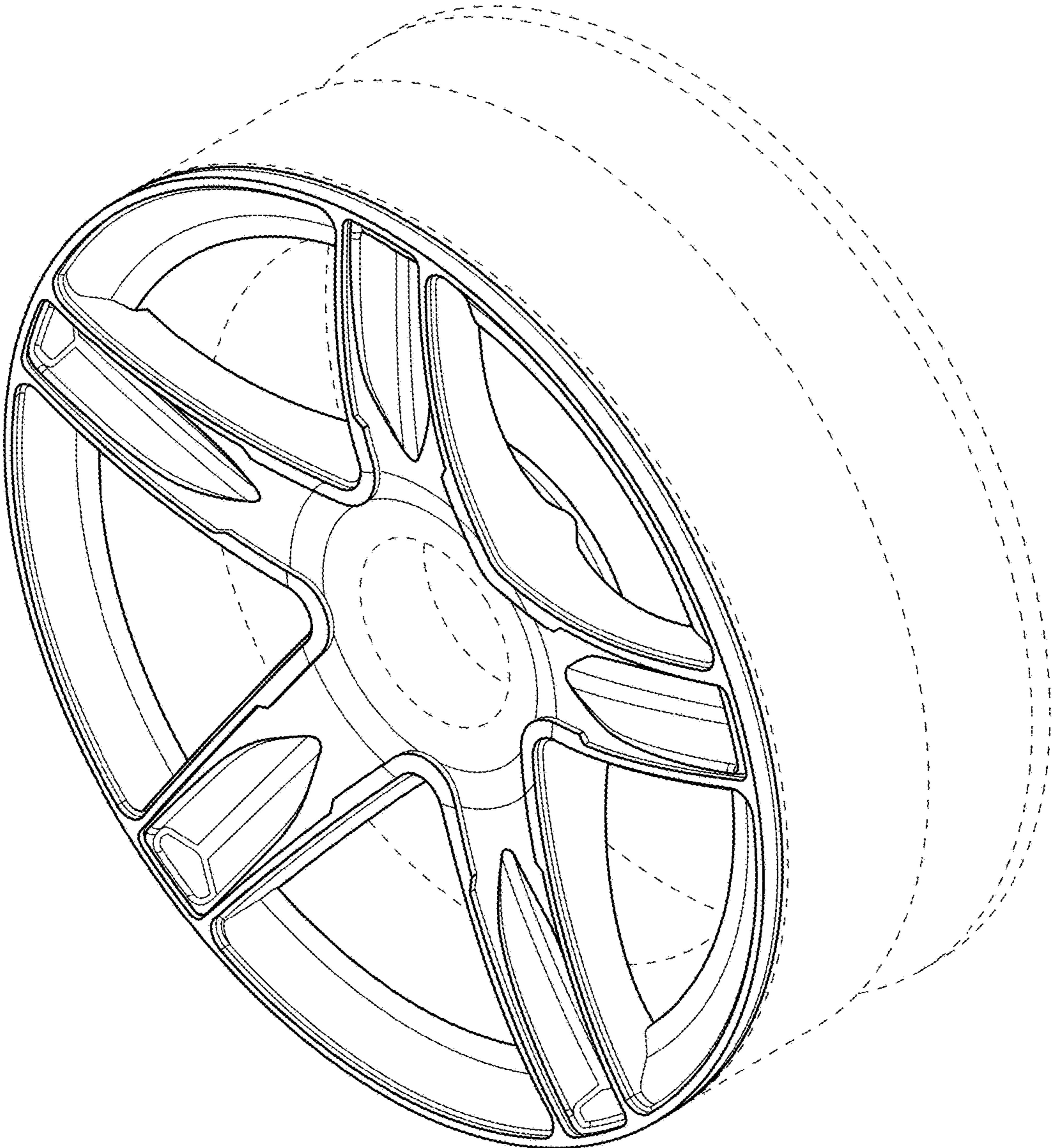


FIG. 1

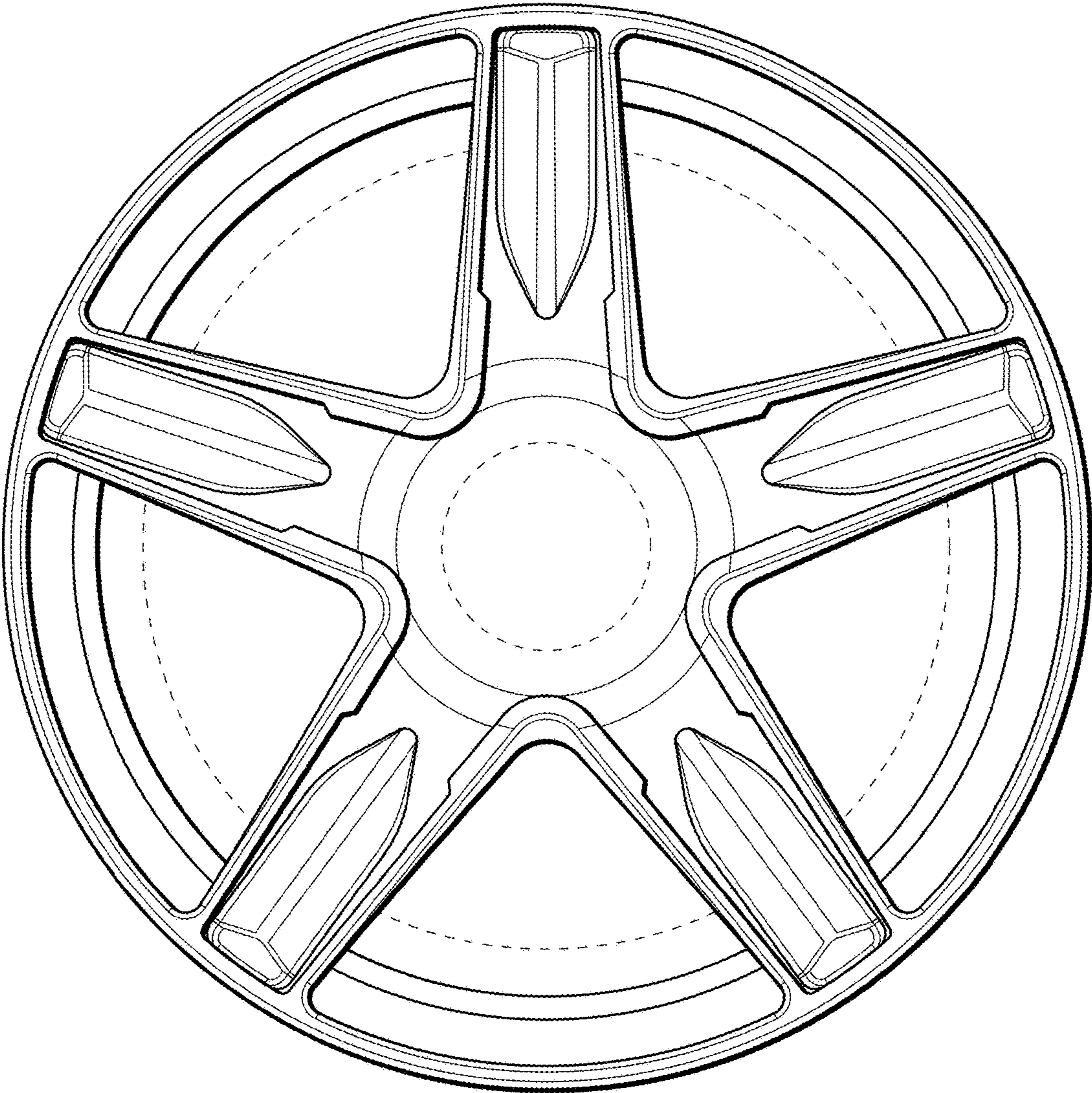


FIG. 2