



US00D833946S

(12) **United States Design Patent**
Han

(10) **Patent No.:** **US D833,946 S**

(45) **Date of Patent:** **** Nov. 20, 2018**

(54) **AUTOMOTIVE WHEEL**

(71) Applicant: **Donnie Han**, Corona, CA (US)

(72) Inventor: **Donnie Han**, Corona, CA (US)

(**) Term: **15 Years**

(21) Appl. No.: **29/621,016**

(22) Filed: **Oct. 3, 2017**

(51) **LOC (11) Cl.** **12-16**

(52) **U.S. Cl.**
USPC **D12/209**

(58) **Field of Classification Search**
USPC D12/204-213; D21/533, 561, 563
CPC B60B 7/00; B60B 7/02; B60B 7/04; B60B
7/06; B60B 3/02; B60B 3/04; B60B 3/06;
B60B 3/10; B60B 1/00; B60B 1/08;
B60B 1/10; B60B 1/12
See application file for complete search history.

(56) **References Cited**

U.S. PATENT DOCUMENTS

D267,488 S * 1/1983 Hayashi D12/211
D454,821 S * 3/2002 Pfeiffer D12/209

D535,932 S * 1/2007 Lorinser D12/209
D677,610 S * 3/2013 Holstein D12/209
D714,705 S * 10/2014 Kong D12/211
D722,548 S * 2/2015 Chung D12/211
D726,622 S * 4/2015 Vena D12/209
D800,630 S * 10/2017 Tran D12/209
D803,763 S * 11/2017 Sempek D12/409
D811,304 S * 2/2018 Chung D12/209

* cited by examiner

Primary Examiner — Sheryl Lane
Assistant Examiner — Calvin E Vansant

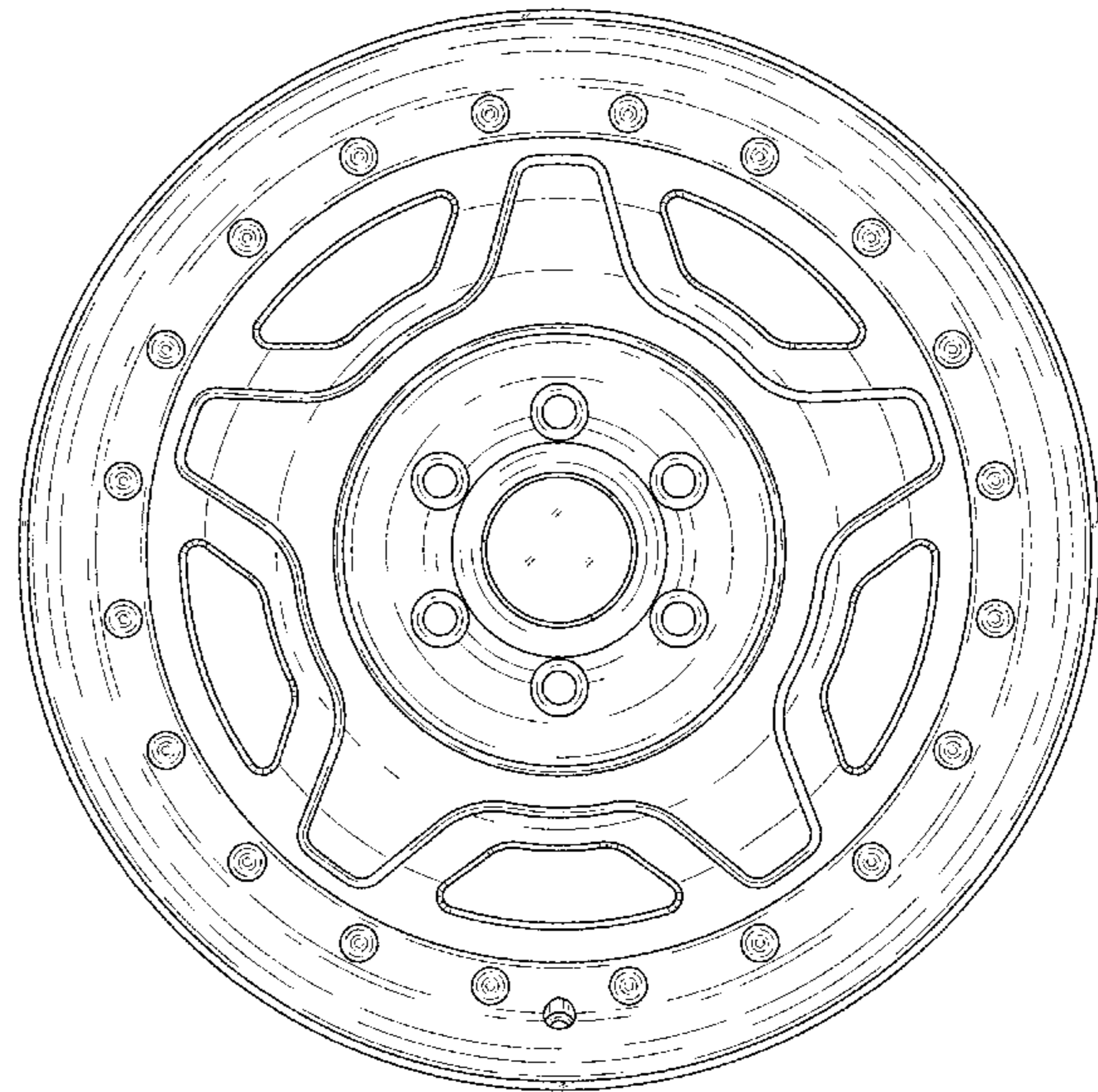
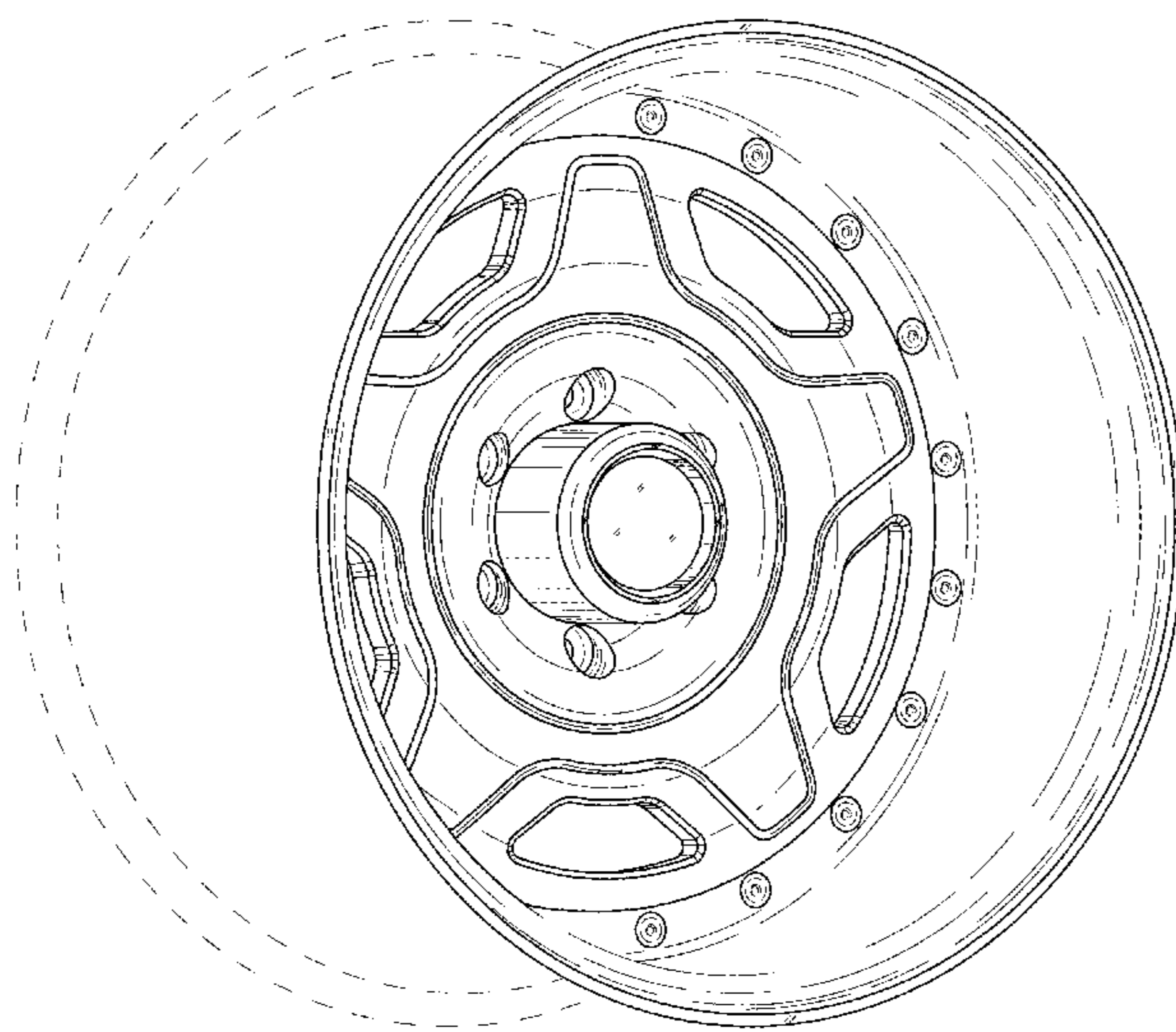
(57) **CLAIM**

The ornamental design for an automotive wheel, as shown and described.

DESCRIPTION

FIG. 1 is a perspective view of an automotive wheel, showing my new design;
FIG. 2 is a front view thereof;
FIG. 3 is a perspective view of the automotive wheel of FIG. 1 with the center cap removed for illustrative clarity; and, FIG. 4 is a front view of FIG. 3.
In the drawings, the broken lines depict portions of the automotive wheel that form no part of the claim.

1 Claim, 4 Drawing Sheets



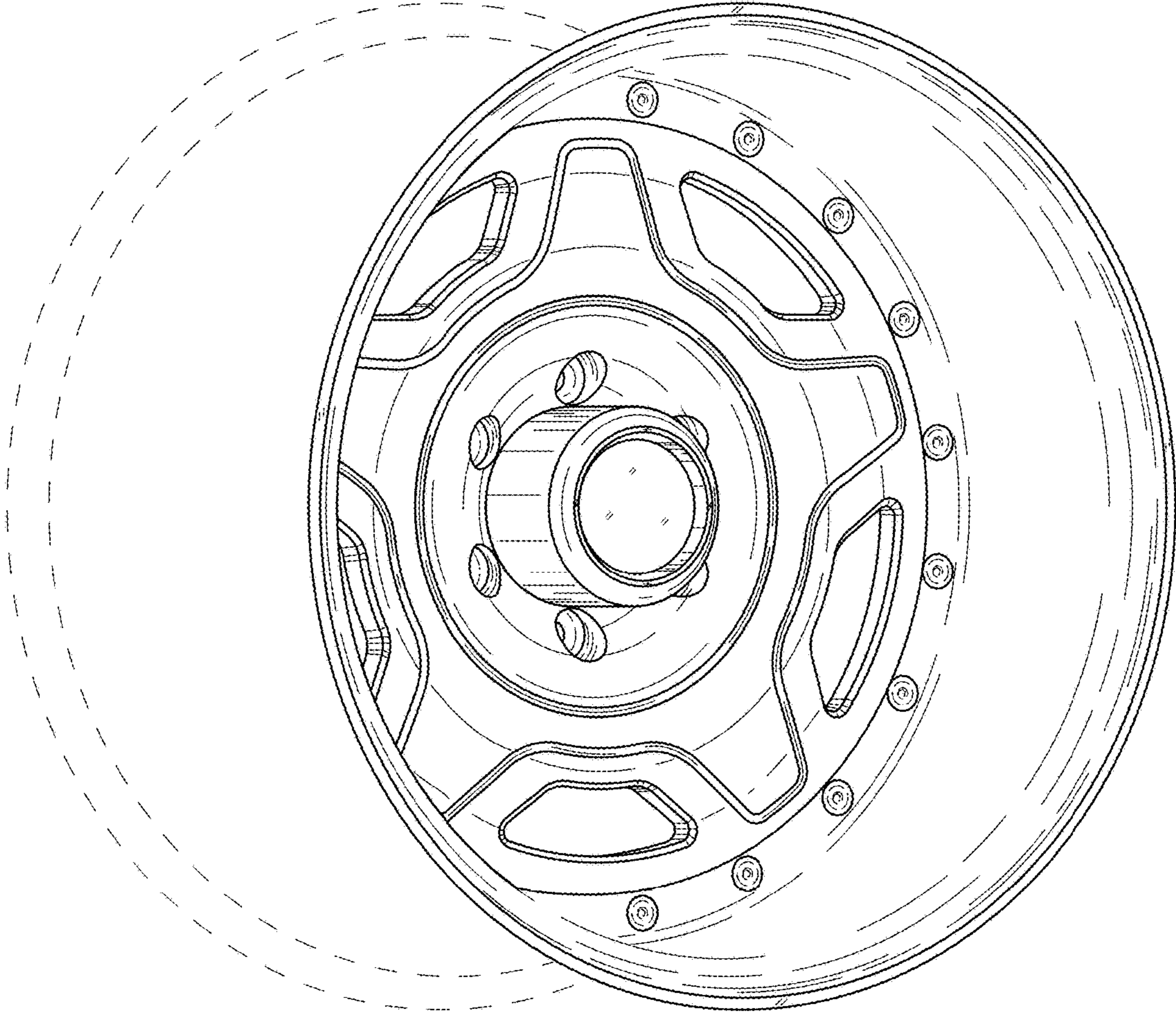


FIGURE 1

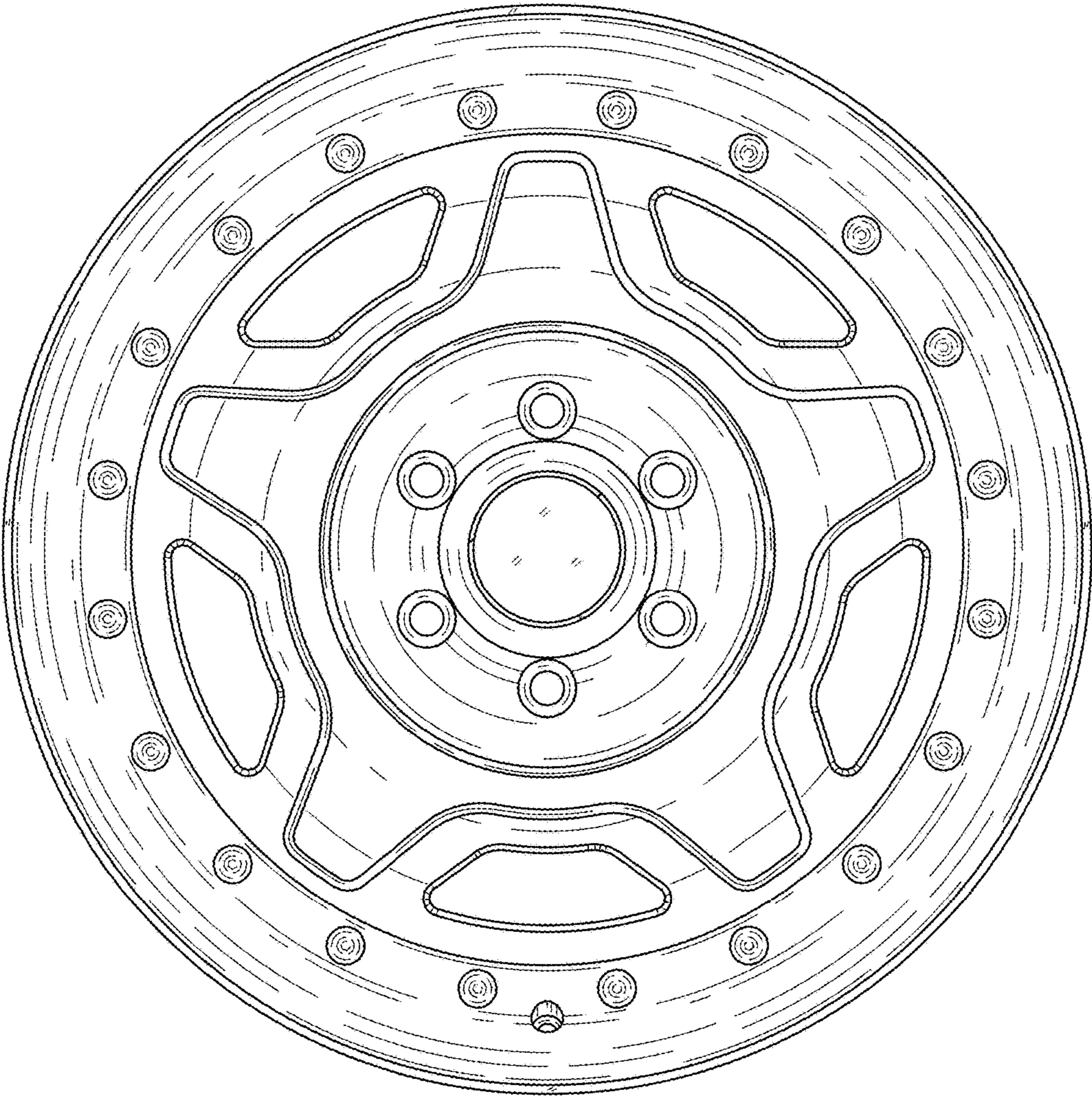


FIGURE 2

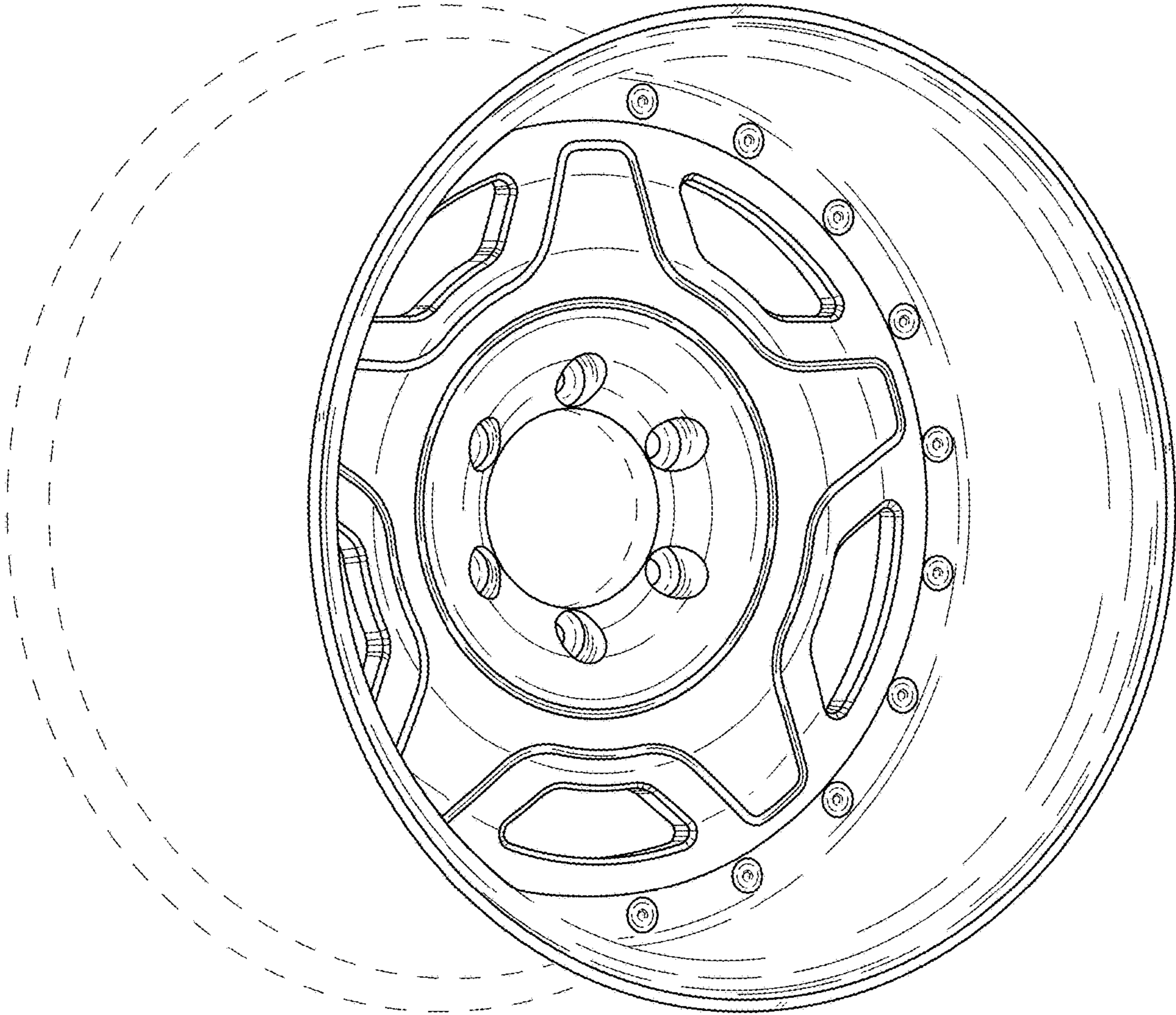


FIGURE 3

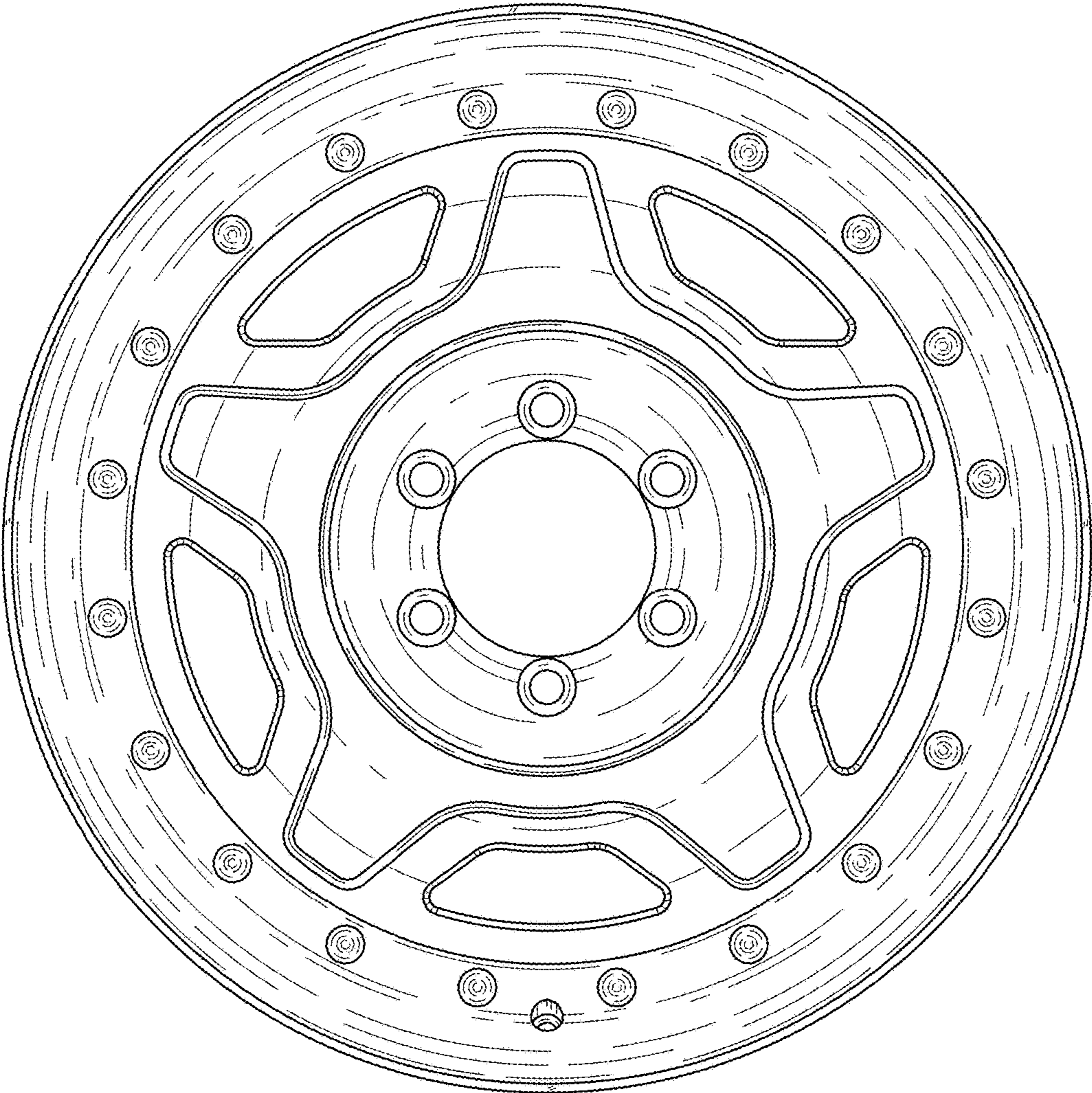


FIGURE 4