



US00D833943S

(12) **United States Design Patent**  
**Chung**

(10) **Patent No.:** **US D833,943 S**

(45) **Date of Patent:** **\*\* Nov. 20, 2018**

(54) **AUTOMOTIVE WHEEL**

(71) Applicant: **Suny Chung**, Anaheim, CA (US)

(72) Inventor: **Suny Chung**, Anaheim, CA (US)

(\*\*) Term: **15 Years**

(21) Appl. No.: **29/579,723**

(22) Filed: **Oct. 3, 2016**

(51) **LOC (11) Cl.** ..... **12-16**

(52) **U.S. Cl.**  
USPC ..... **D12/209**

(58) **Field of Classification Search**  
USPC ..... D12/204-213; D21/533, 561, 563  
(Continued)

(56) **References Cited**

**U.S. PATENT DOCUMENTS**

D578,457 S \* 10/2008 Guidry ..... D12/211  
D588,517 S \* 3/2009 Aroney ..... D12/211  
(Continued)

*Primary Examiner* — Sheryl Lane

*Assistant Examiner* — Calvin E Vansant

(57) **CLAIM**

The ornamental design for an automotive wheel, as shown and described.

**DESCRIPTION**

FIG. 1 is a perspective view of a first embodiment of an automotive wheel, showing my new design;  
FIG. 2 is another perspective view thereof;  
FIG. 3 is a front view thereof;  
FIG. 4 is a perspective view of a second embodiment of an automotive wheel, showing my new design;  
FIG. 5 is another perspective view of FIG. 4;  
FIG. 6 is a front view of FIG. 4;  
FIG. 7 is a perspective view of FIG. 1 with the center cap removed for illustrative clarity;

FIG. 8 is another perspective view of FIG. 7;  
FIG. 9 is a front view of FIG. 7;  
FIG. 10 is a rear view of FIG. 7;  
FIG. 11 is a perspective view of FIG. 4 with center cap removed for illustrative clarity;  
FIG. 12 is another perspective view of FIG. 11;  
FIG. 13 is a front view of FIG. 11;  
FIG. 14 is a rear view of FIG. 11;  
FIG. 15 is a perspective view of a third embodiment of an automotive wheel, showing my new design;  
FIG. 16 is another perspective view of FIG. 15;  
FIG. 17 is a front view of FIG. 15;  
FIG. 18 is a perspective view of a fourth embodiment of an automotive wheel, showing my new design;  
FIG. 19 is another perspective view of FIG. 18;  
FIG. 20 is a front view of FIG. 18;  
FIG. 21 is a perspective view of FIG. 15 with the center cap removed for illustrative clarity;  
FIG. 22 is another perspective view of FIG. 21;  
FIG. 23 is a front view of FIG. 21;  
FIG. 24 is a rear view of FIG. 21;  
FIG. 25 is a perspective view of FIG. 18 with the center cap removed for illustrative clarity;  
FIG. 26 is another perspective view of FIG. 25;  
FIG. 27 is a front view of FIG. 25;  
FIG. 28 is a rear view of FIG. 25;  
FIG. 29 is a perspective view of a fifth embodiment of an automotive wheel, showing my new design;  
FIG. 30 is another perspective view of FIG. 29;  
FIG. 31 is a front view of FIG. 29;  
FIG. 32 is a perspective view of a sixth embodiment of an automotive wheel showing my new design;  
FIG. 33 is another perspective view of FIG. 32;  
FIG. 34 is a front view of FIG. 32;  
FIG. 35 is a perspective view of FIG. 29 with the center cap removed for illustrative clarity;  
FIG. 36 is another perspective view of FIG. 35;  
FIG. 37 is a front view of FIG. 35;  
FIG. 38 is a rear view of FIG. 35;  
FIG. 39 is a perspective view of FIG. 32 with the center cap removed for illustrative clarity;  
FIG. 40 is another perspective view of FIG. 39;  
FIG. 41 is a front view of FIG. 39;  
FIG. 42 is a rear view of FIG. 39; and,

(Continued)

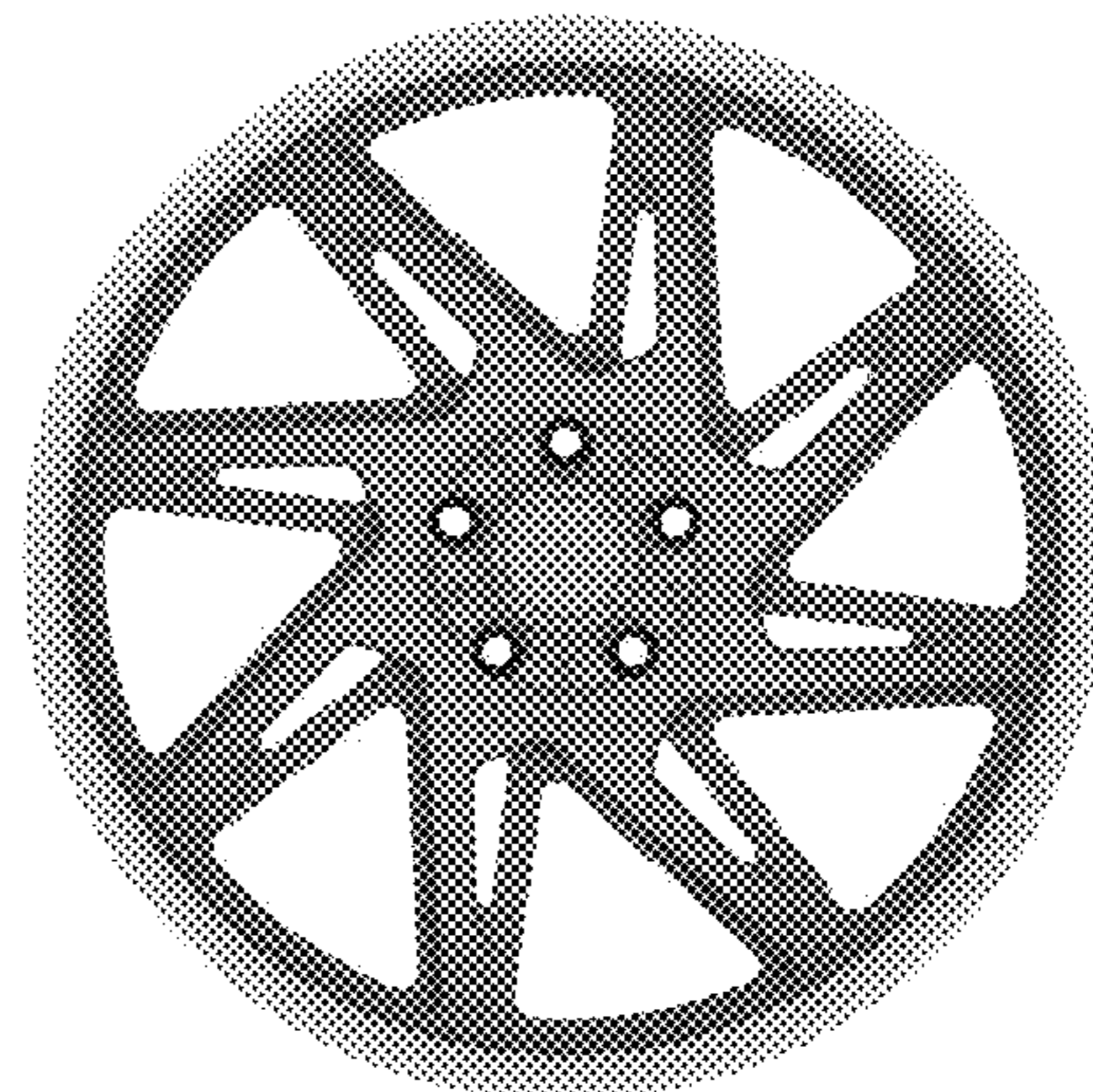
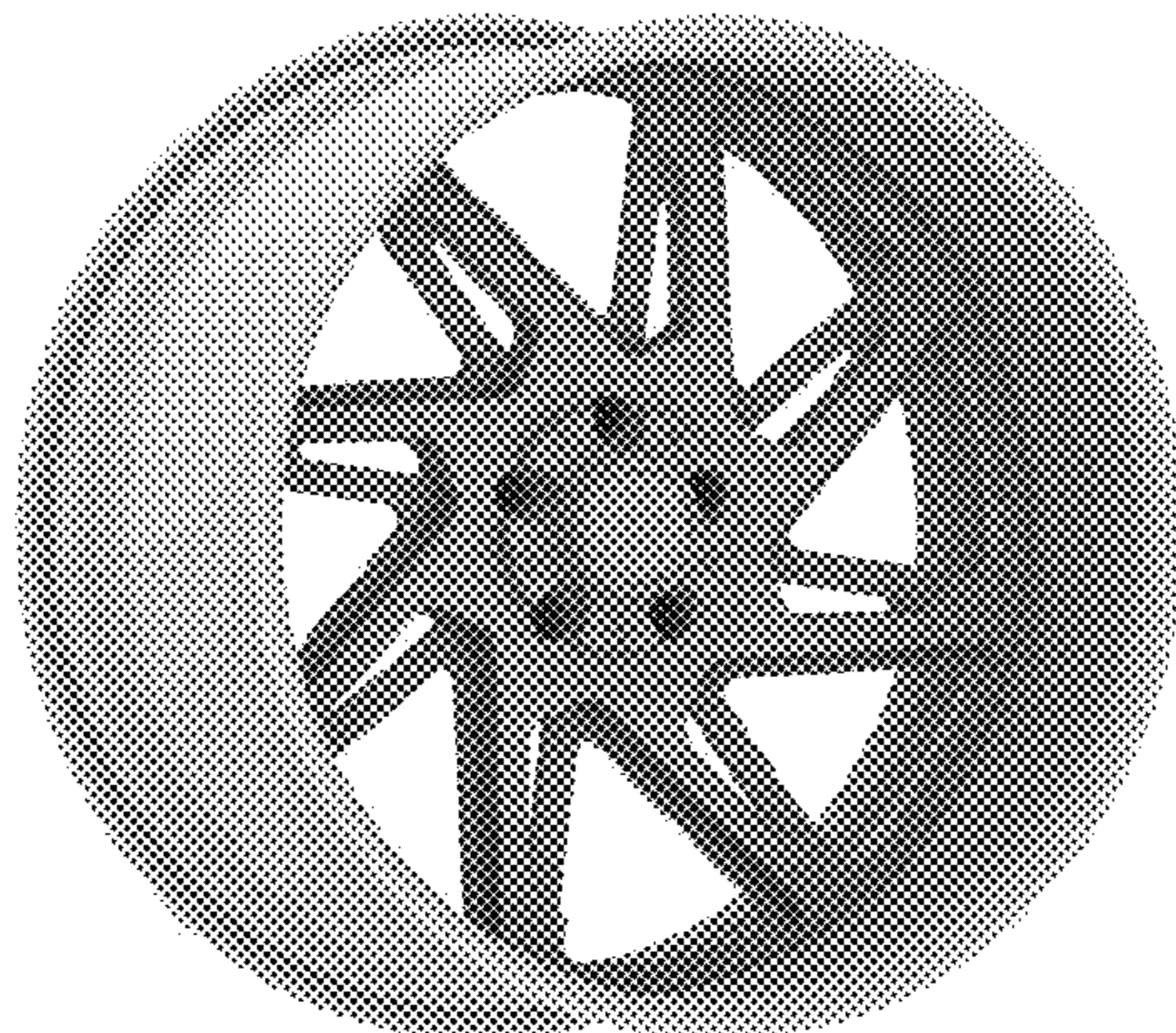


FIG. 43 is a side view of the automotive wheel in FIGS. 1-43.

**1 Claim, 43 Drawing Sheets**

**(58) Field of Classification Search**

CPC .... B60B 7/00; B60B 7/02; B60B 7/04; B60B 7/06; B60B 3/02; B60B 3/04; B60B 3/06; B60B 3/10; B60B 1/00; B60B 1/08; B60B 1/10; B60B 1/12

See application file for complete search history.

**(56) References Cited**

U.S. PATENT DOCUMENTS

D606,922	S	*	12/2009	Thorsten	.....	D12/211
D725,568	S	*	3/2015	Hodges	.....	D12/209
D763,164	S	*	8/2016	Chung	.....	D12/211
D790,422	S	*	6/2017	Hodges	.....	D12/209
D791,672	S	*	7/2017	Palana	.....	D12/211
D799,399	S	*	10/2017	Chung	.....	D12/211
D802,512	S	*	11/2017	Kong	.....	D12/211
D823,225	S	*	7/2018	Chung	.....	D12/211

\* cited by examiner



FIGURE 1



FIGURE 2

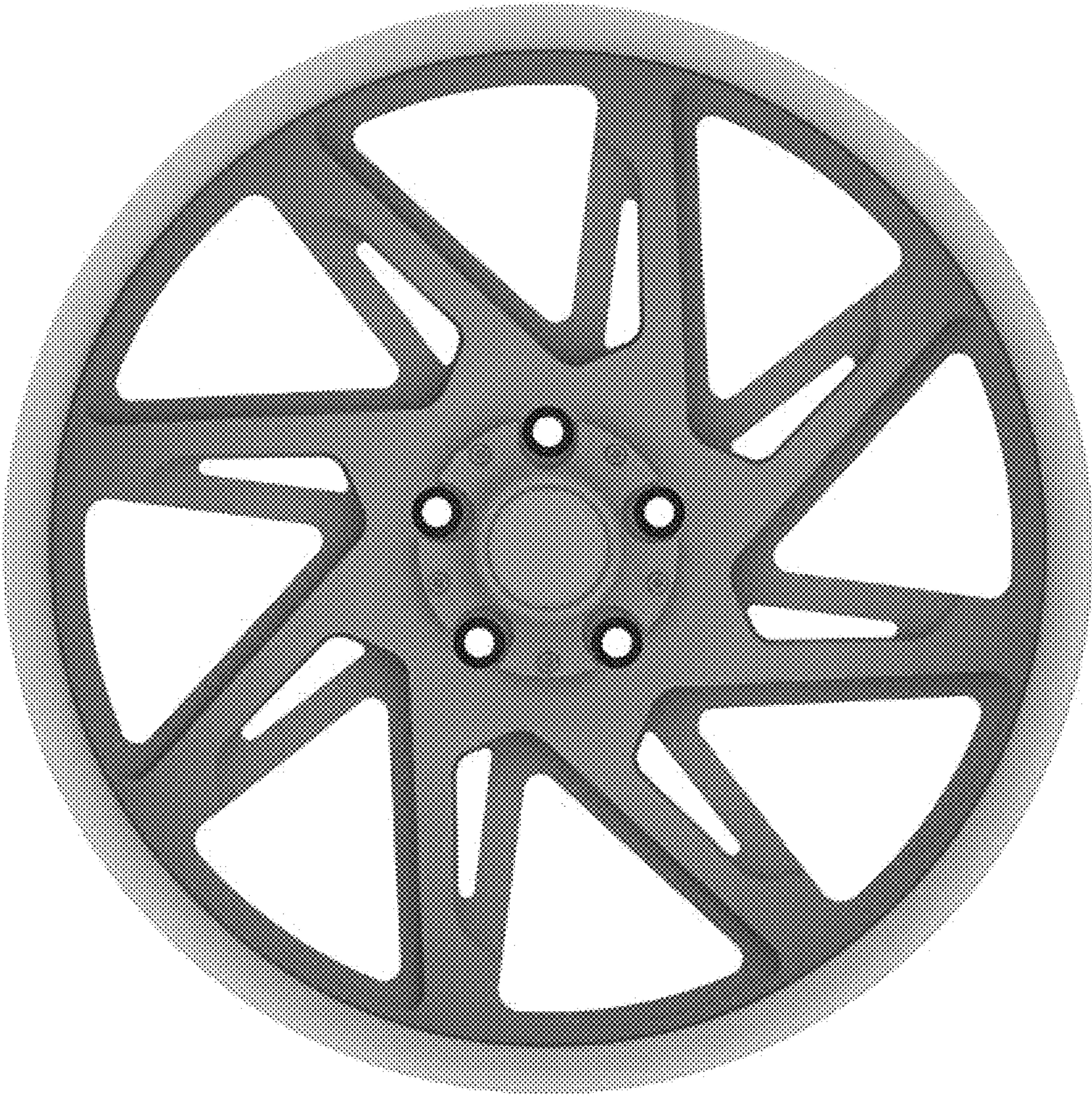


FIGURE 3



FIGURE 4



FIGURE 5

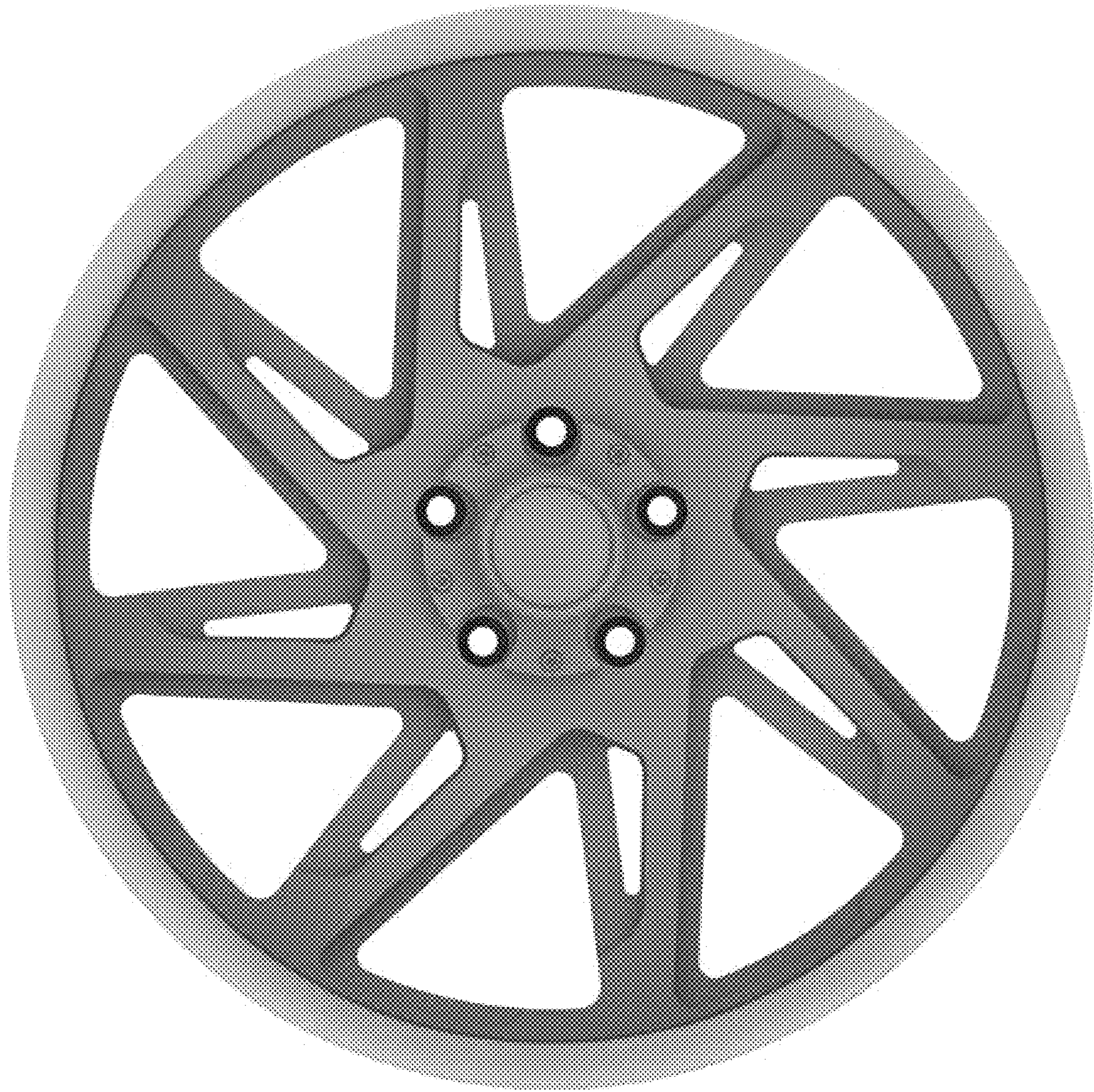


FIGURE 6





FIGURE 7



FIGURE 8

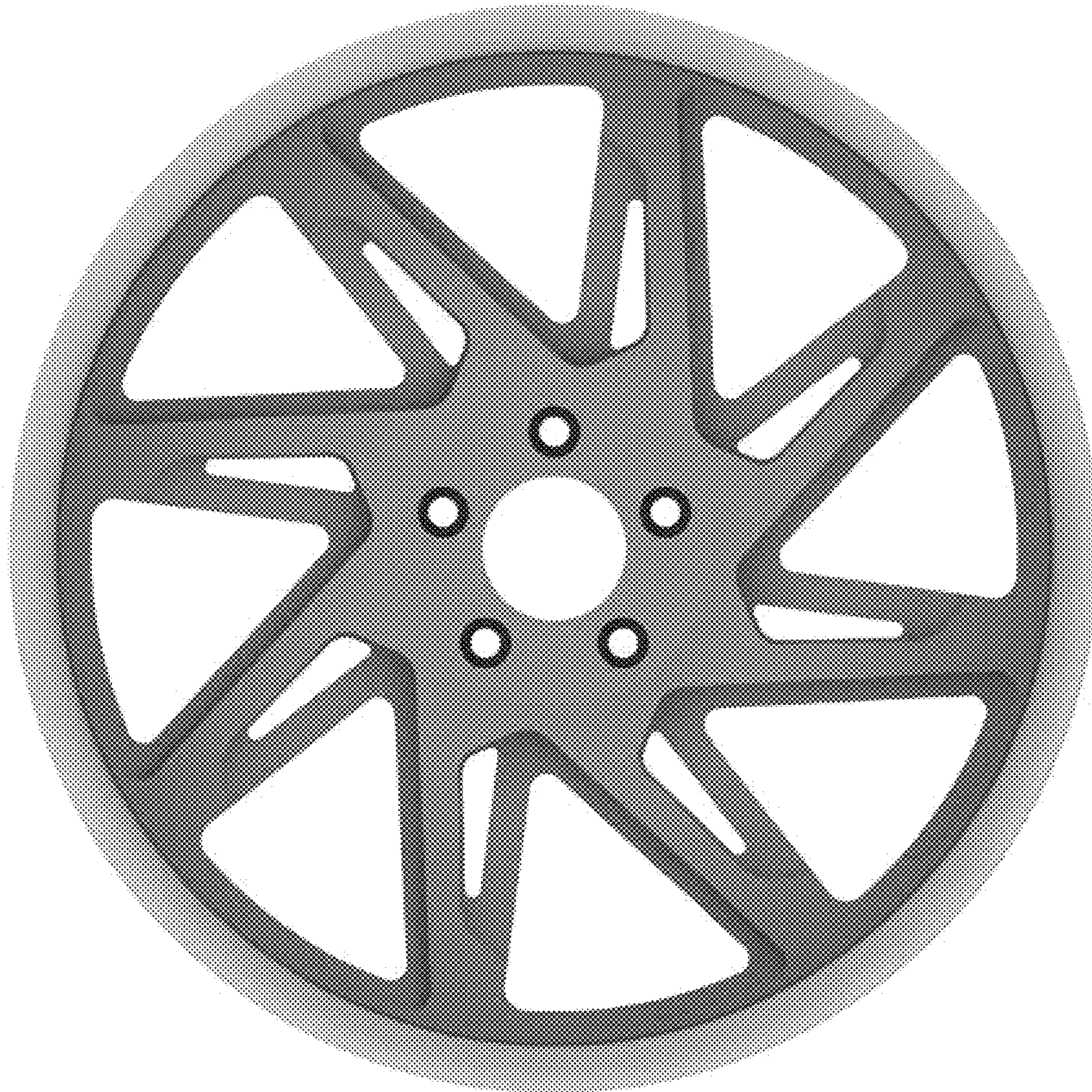


FIGURE 9



FIGURE 10



FIGURE 11



FIGURE 12

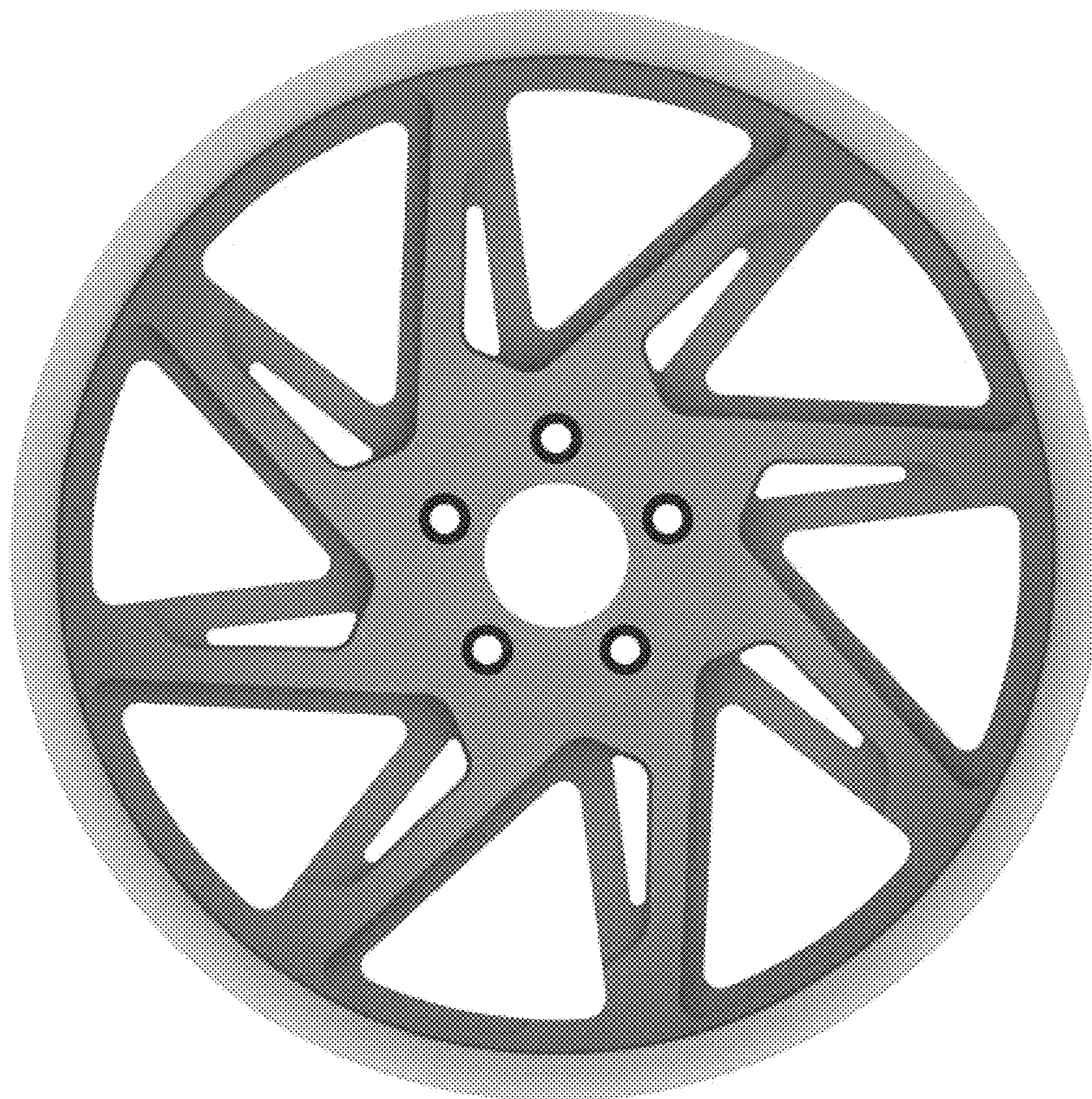


FIGURE 13



FIGURE 14





FIGURE 15

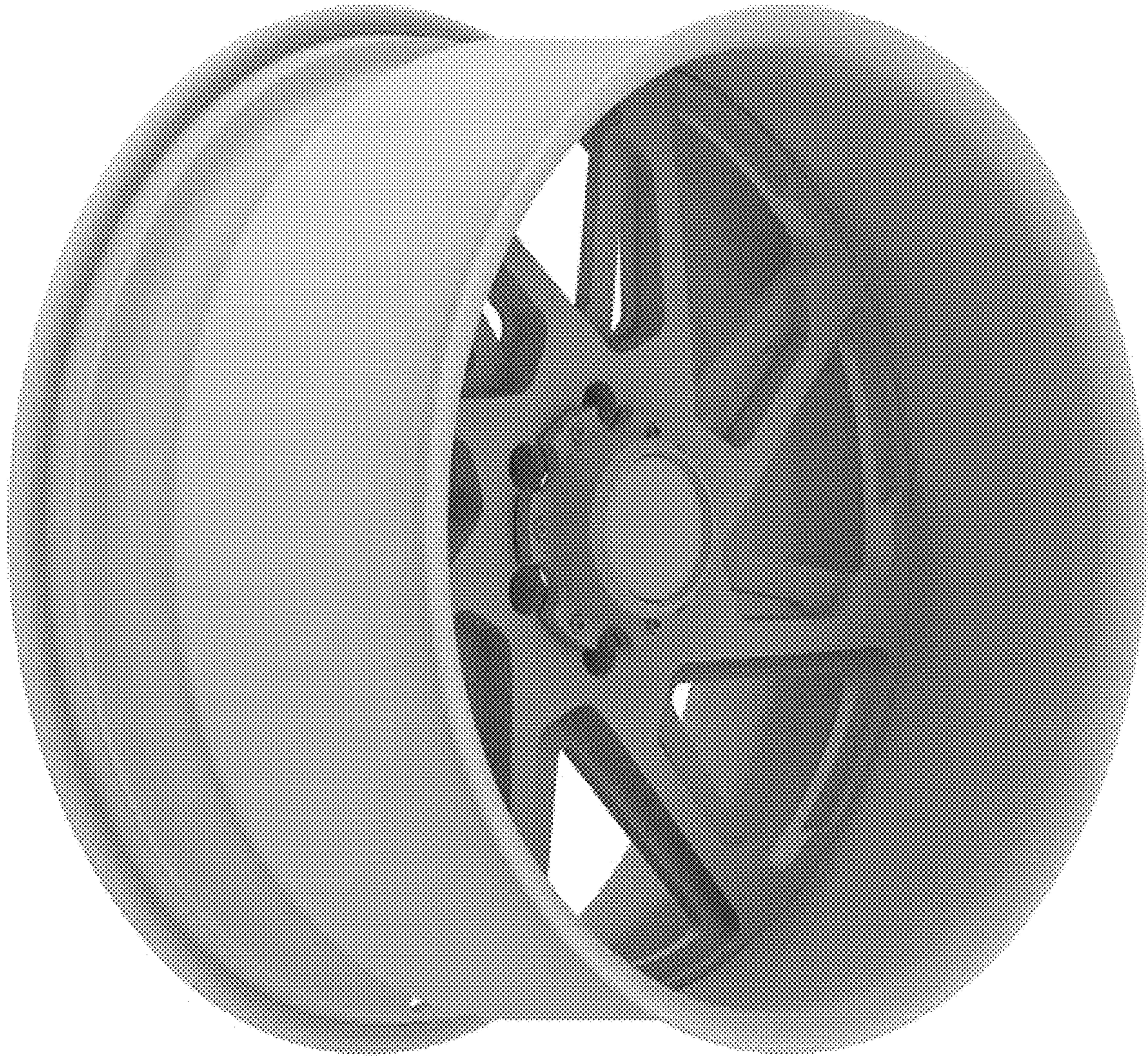


FIGURE 16

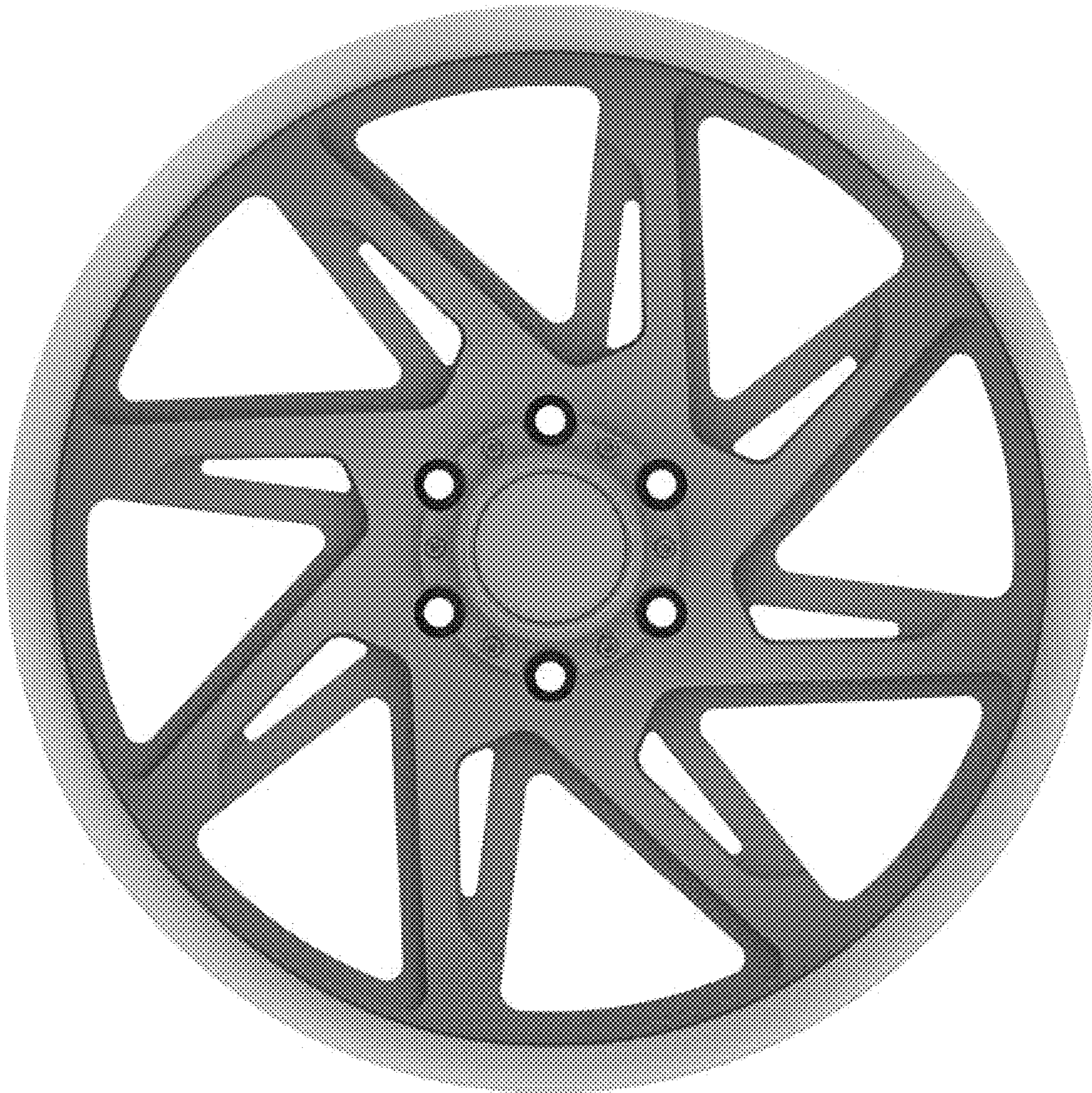


FIGURE 17



FIGURE 18

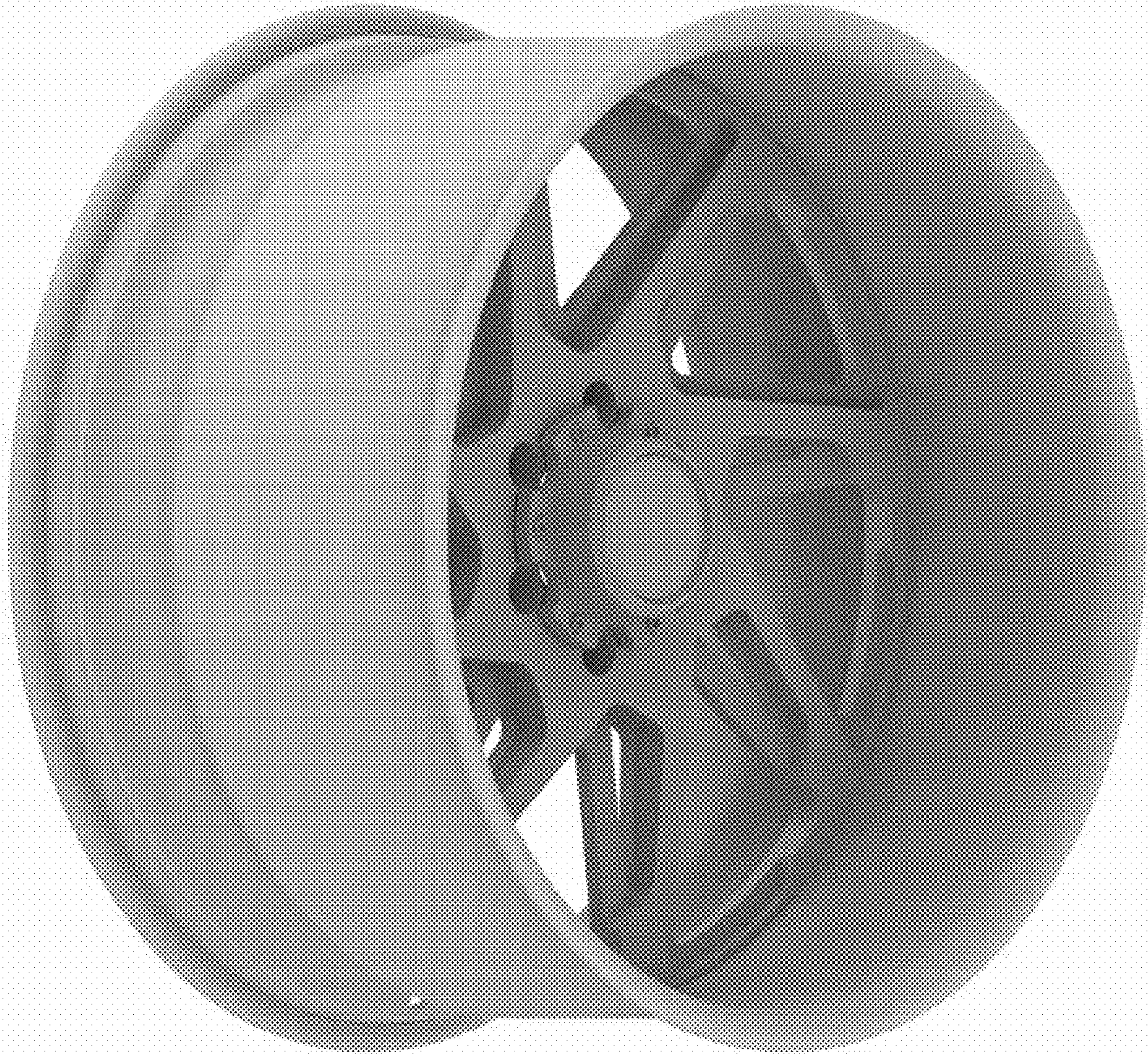


FIGURE 19

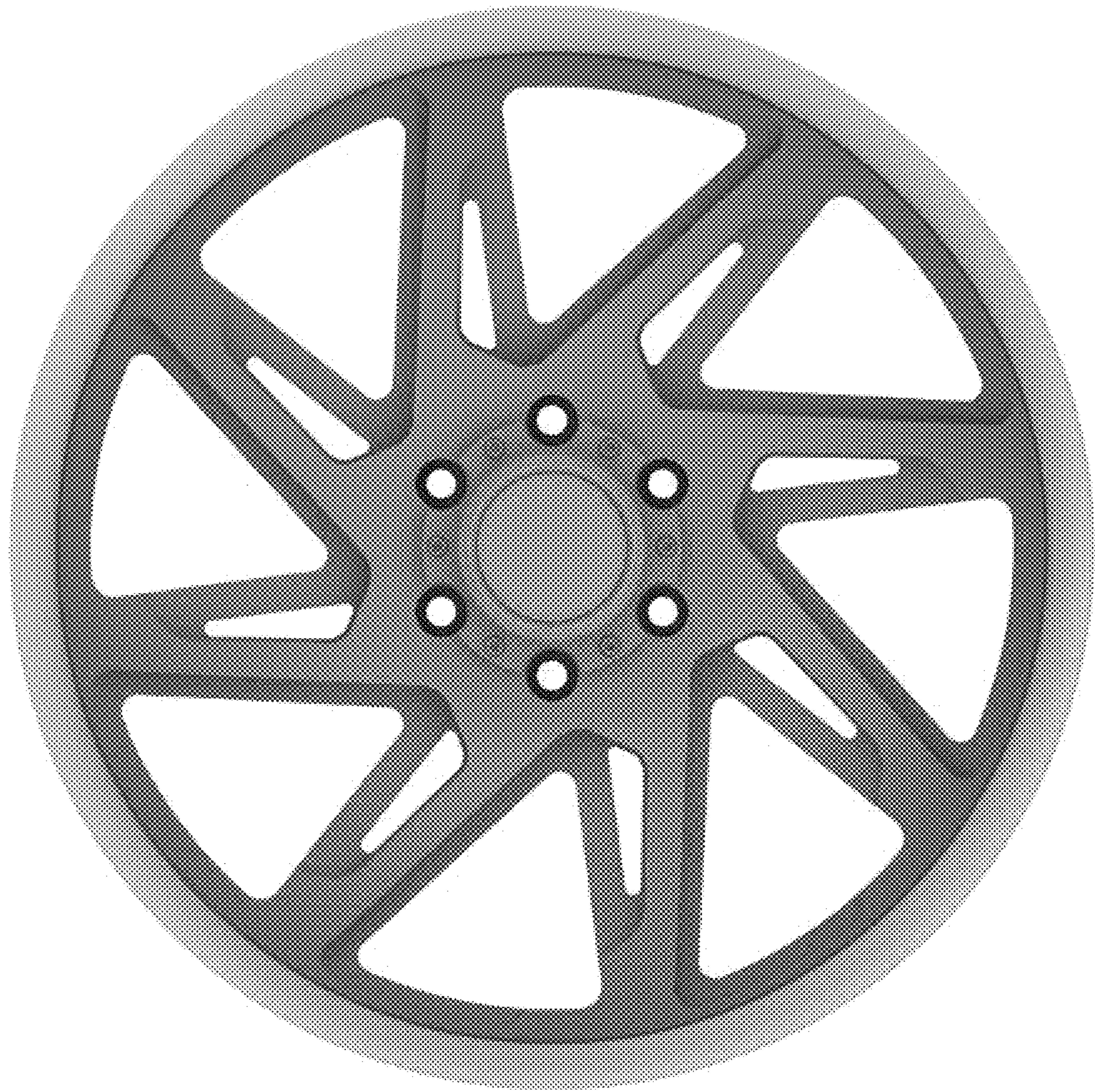


FIGURE 20



FIGURE 21

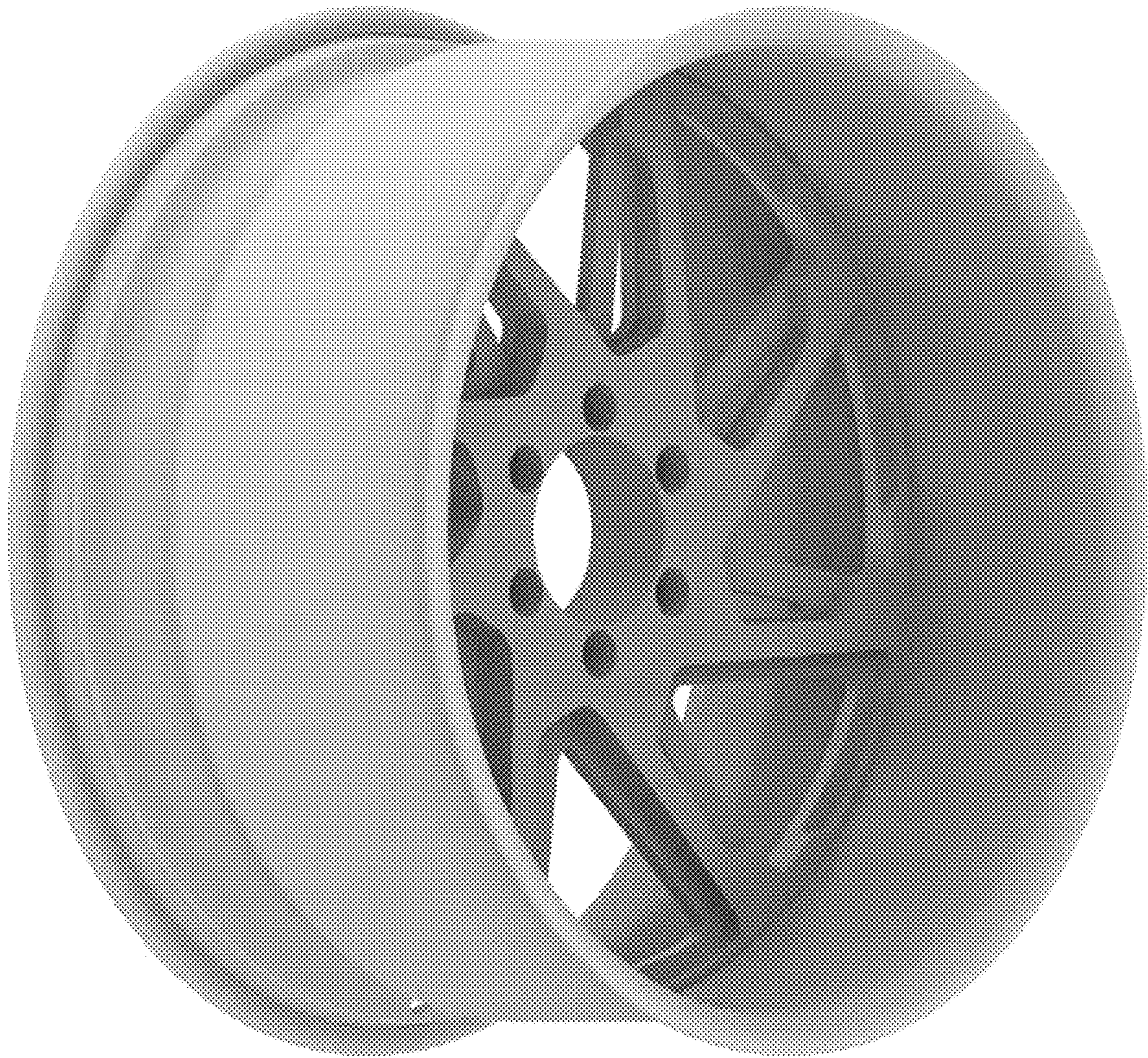


FIGURE 22



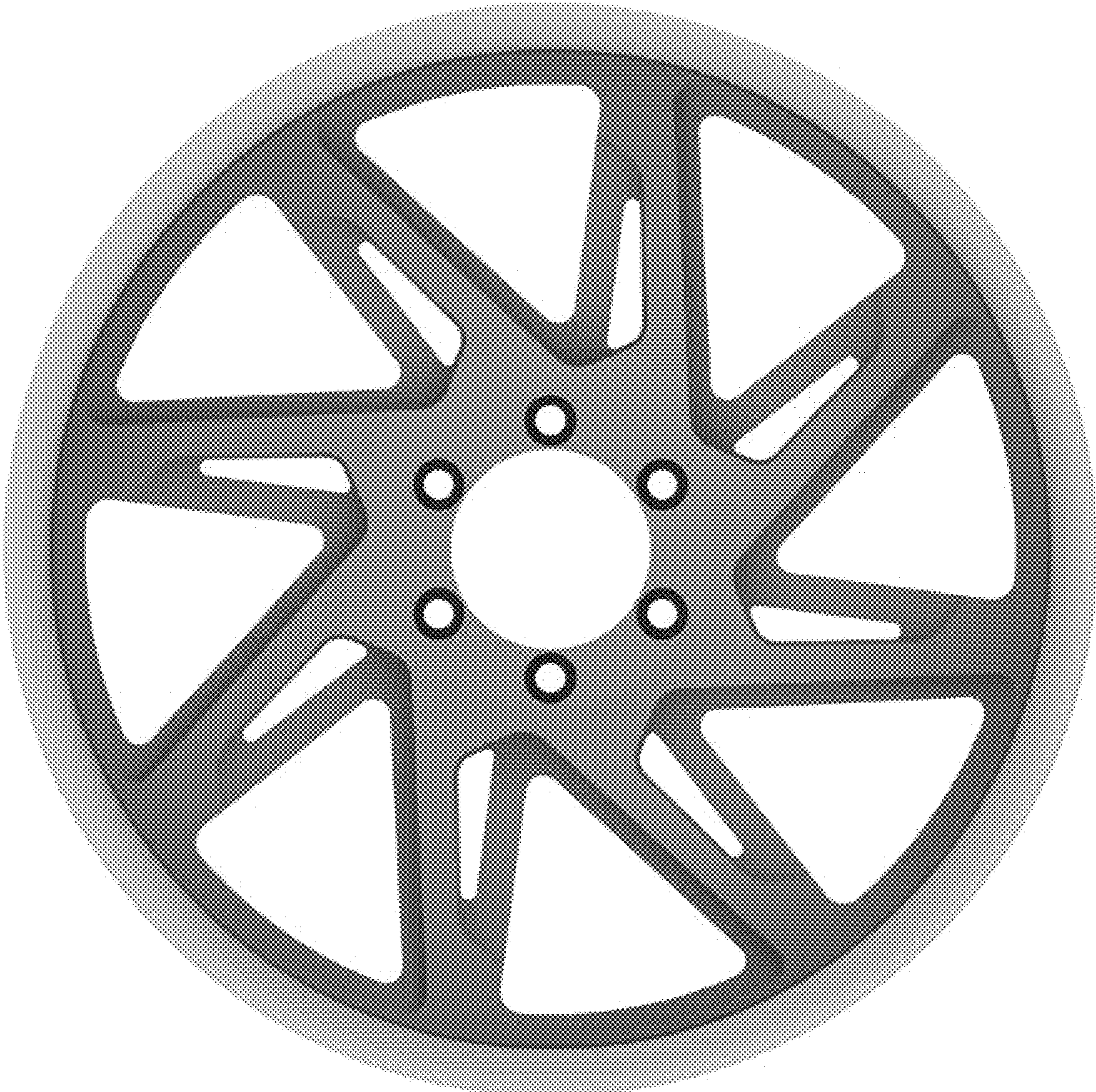


FIGURE 23



FIGURE 24



FIGURE 25

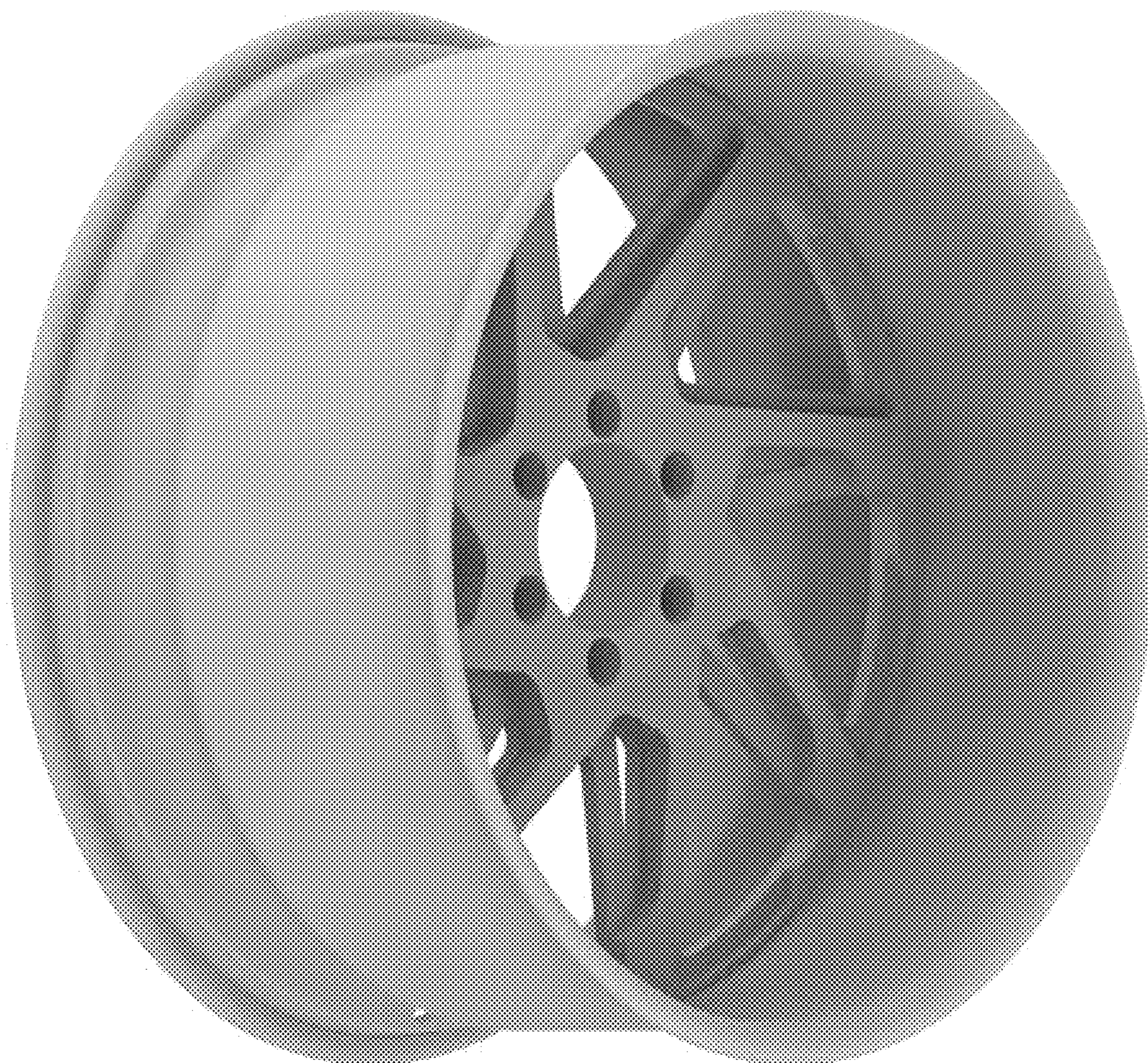


FIGURE 26

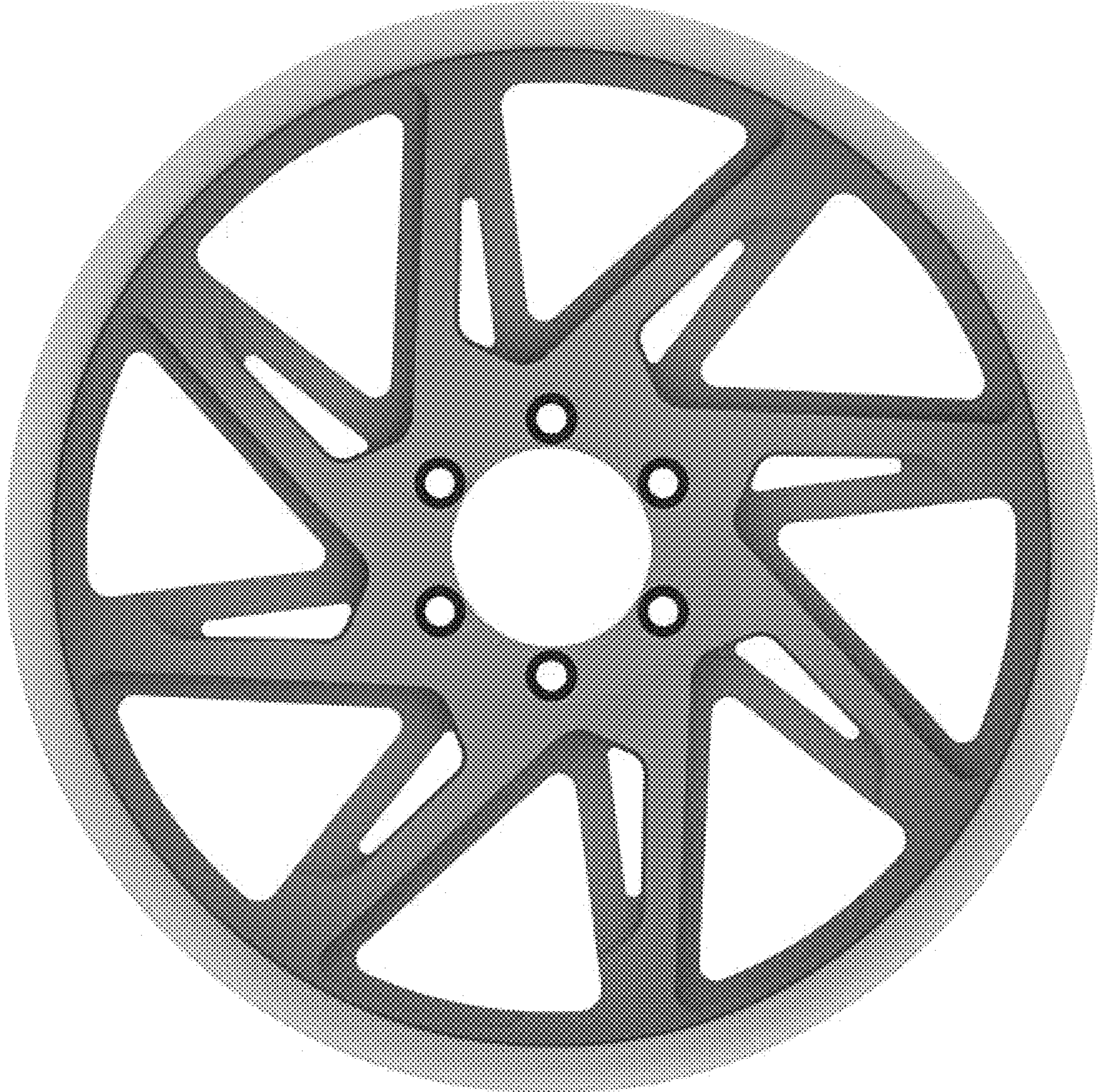


FIGURE 27



FIGURE 28



FIGURE 29

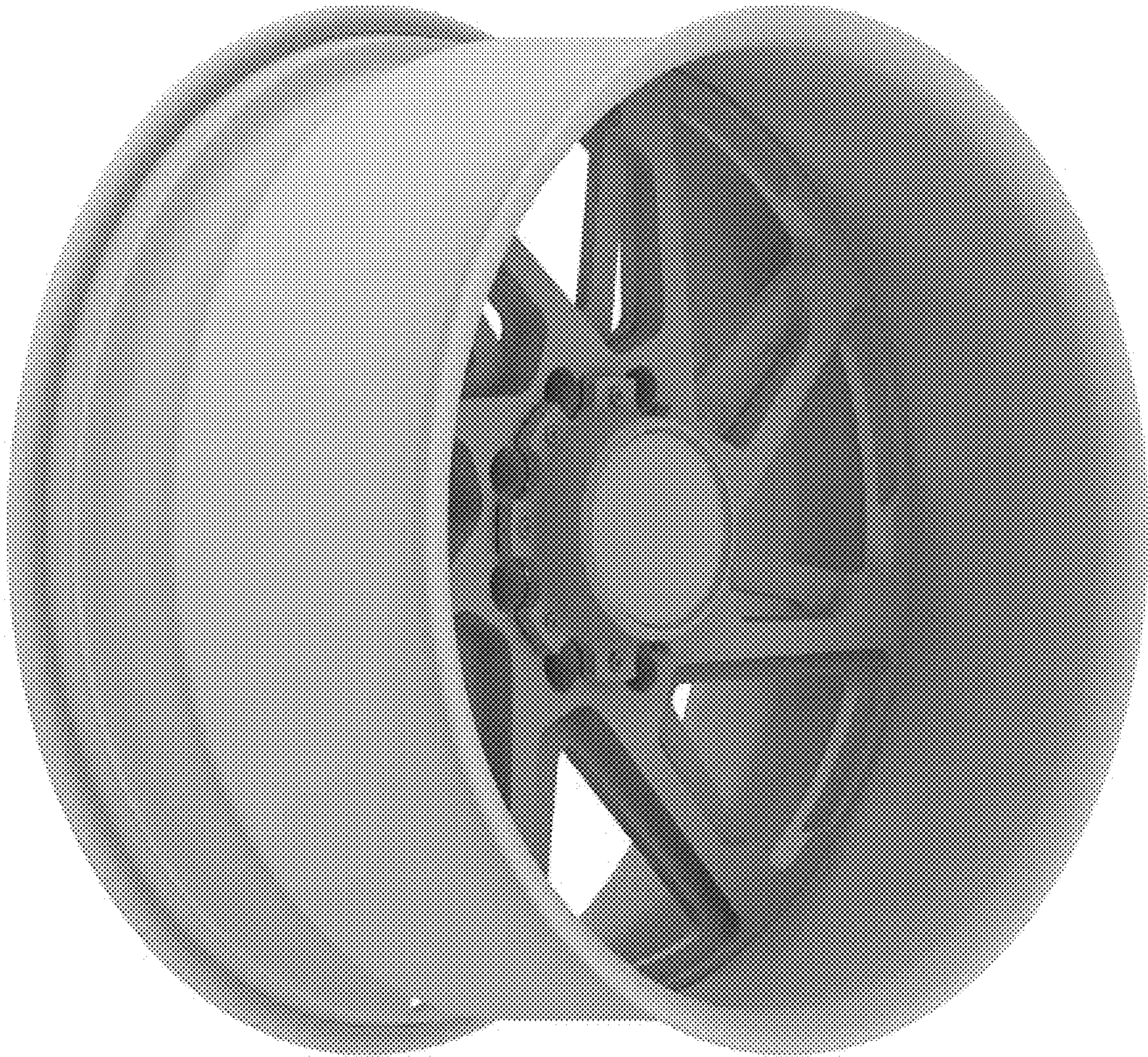


FIGURE 30



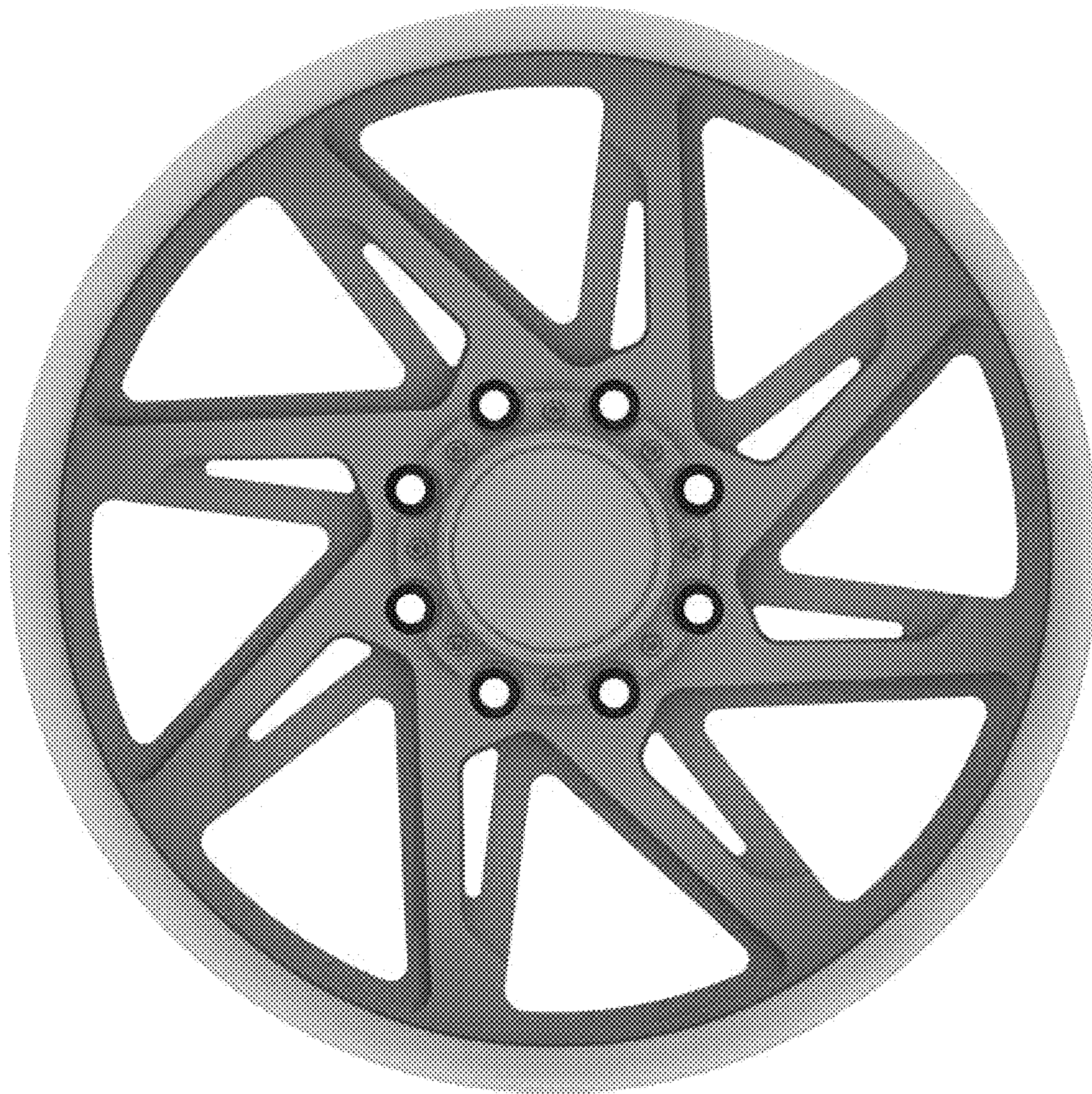


FIGURE 31



FIGURE 32

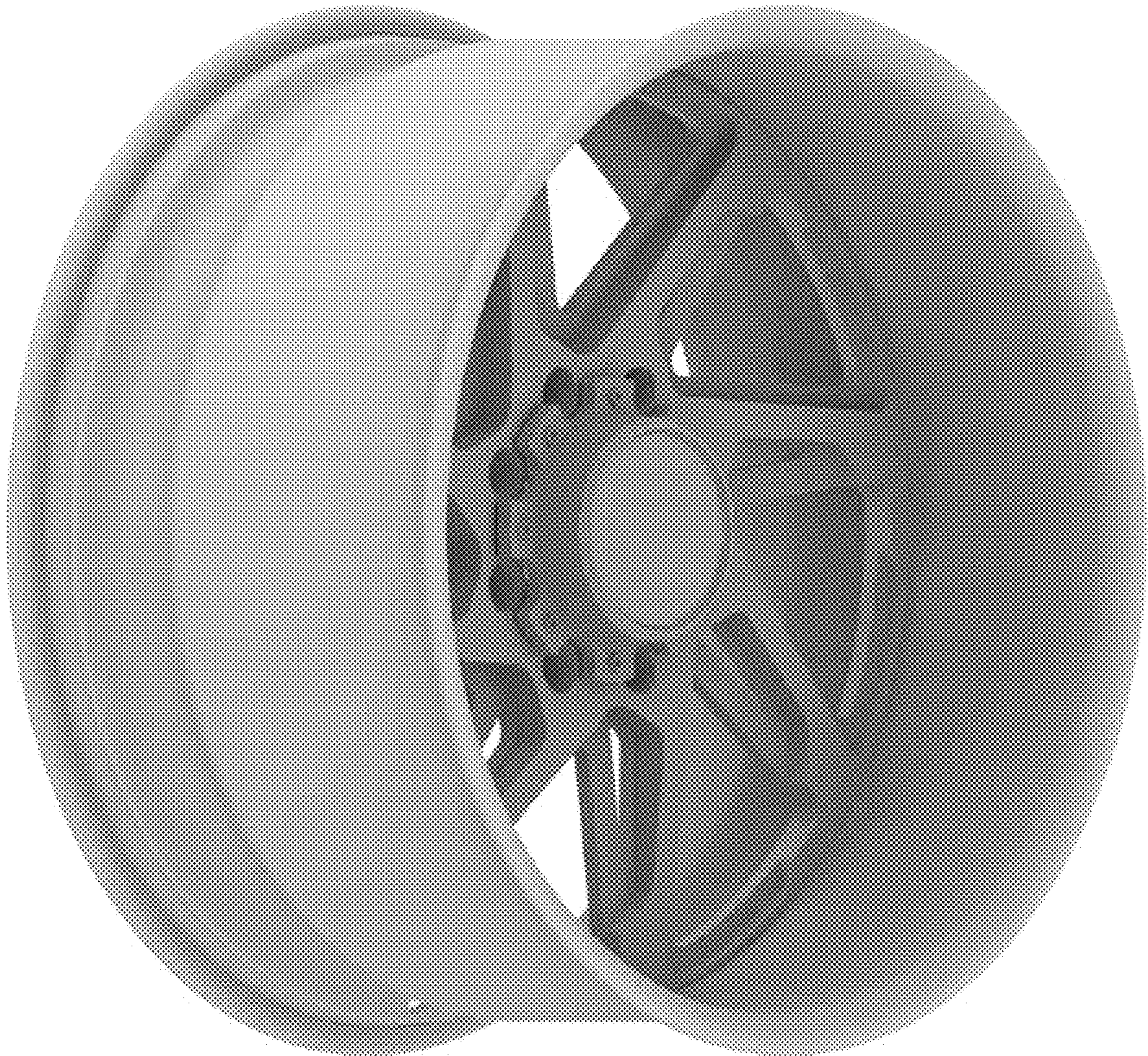


FIGURE 33

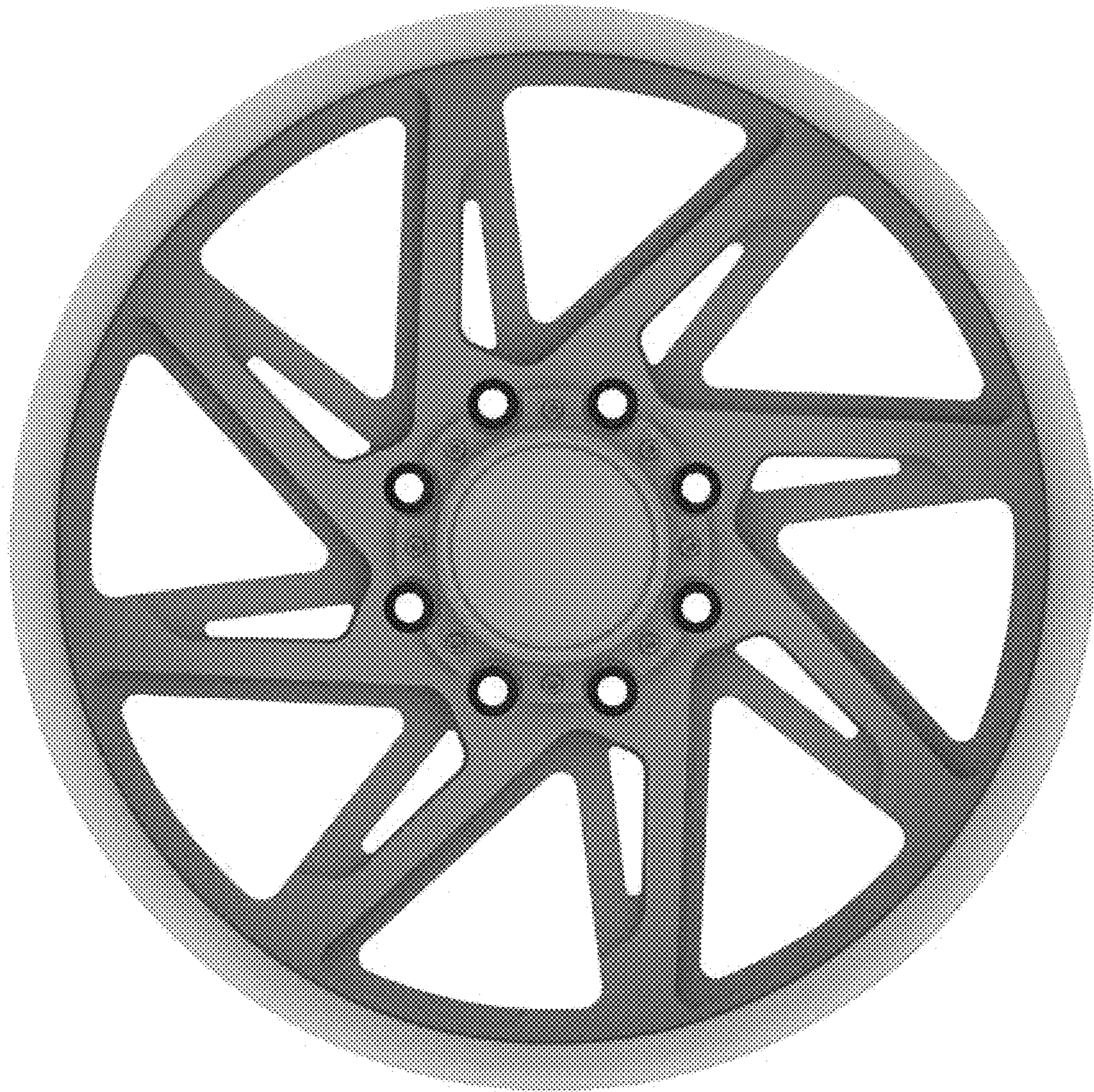


FIGURE 34



FIGURE 35

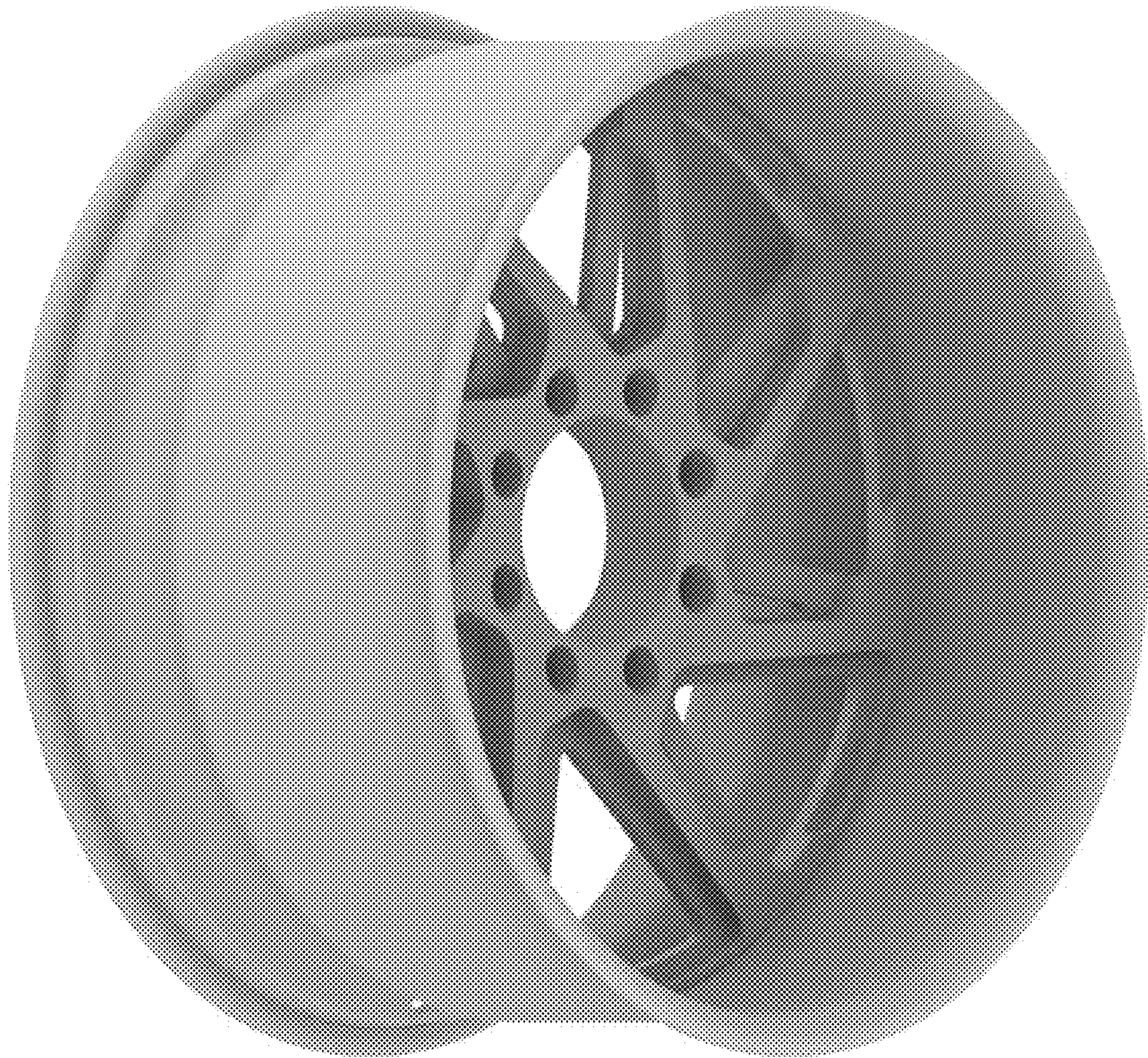


FIGURE 36

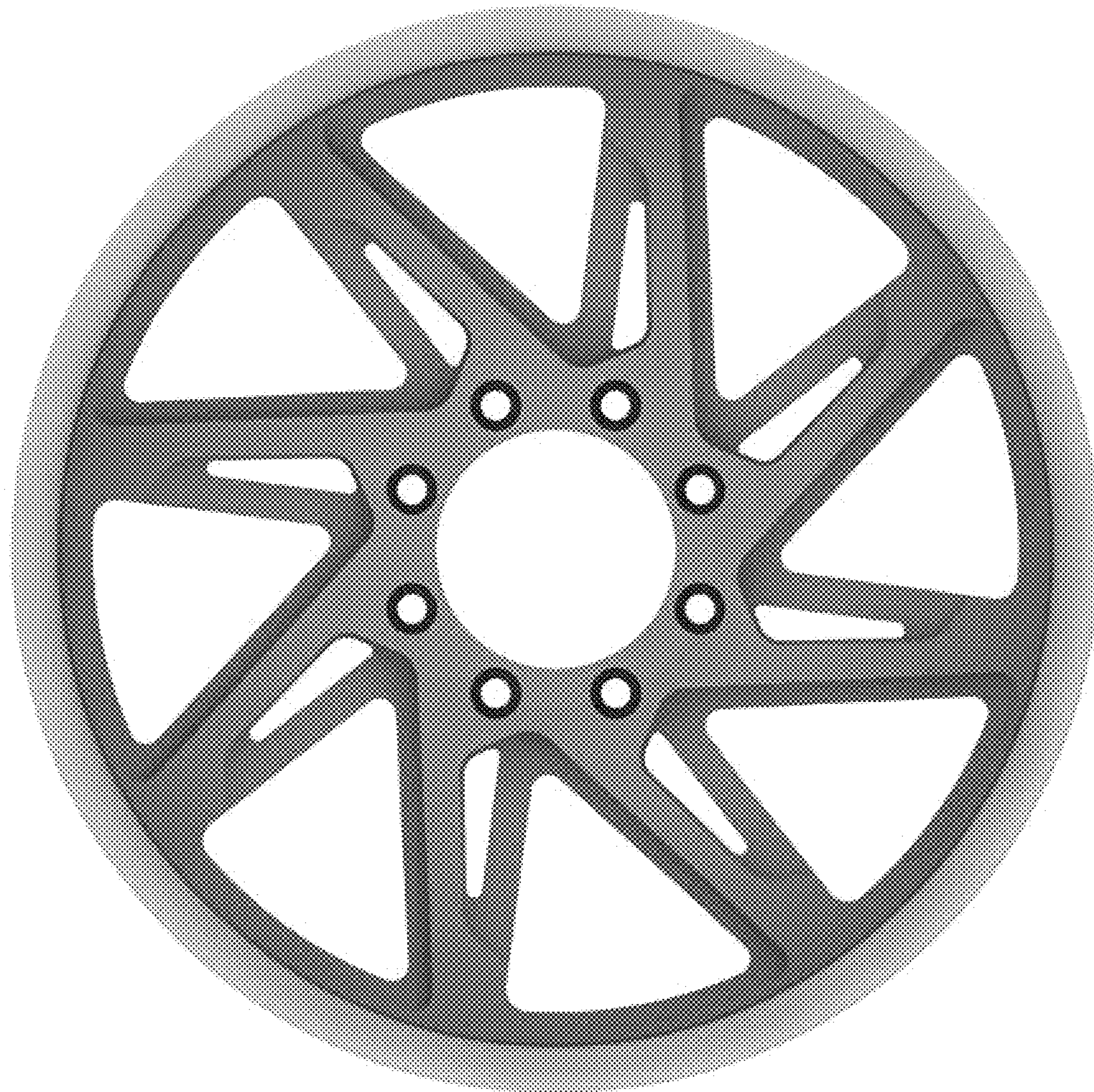


FIGURE 37



FIGURE 38





FIGURE 39



FIGURE 40

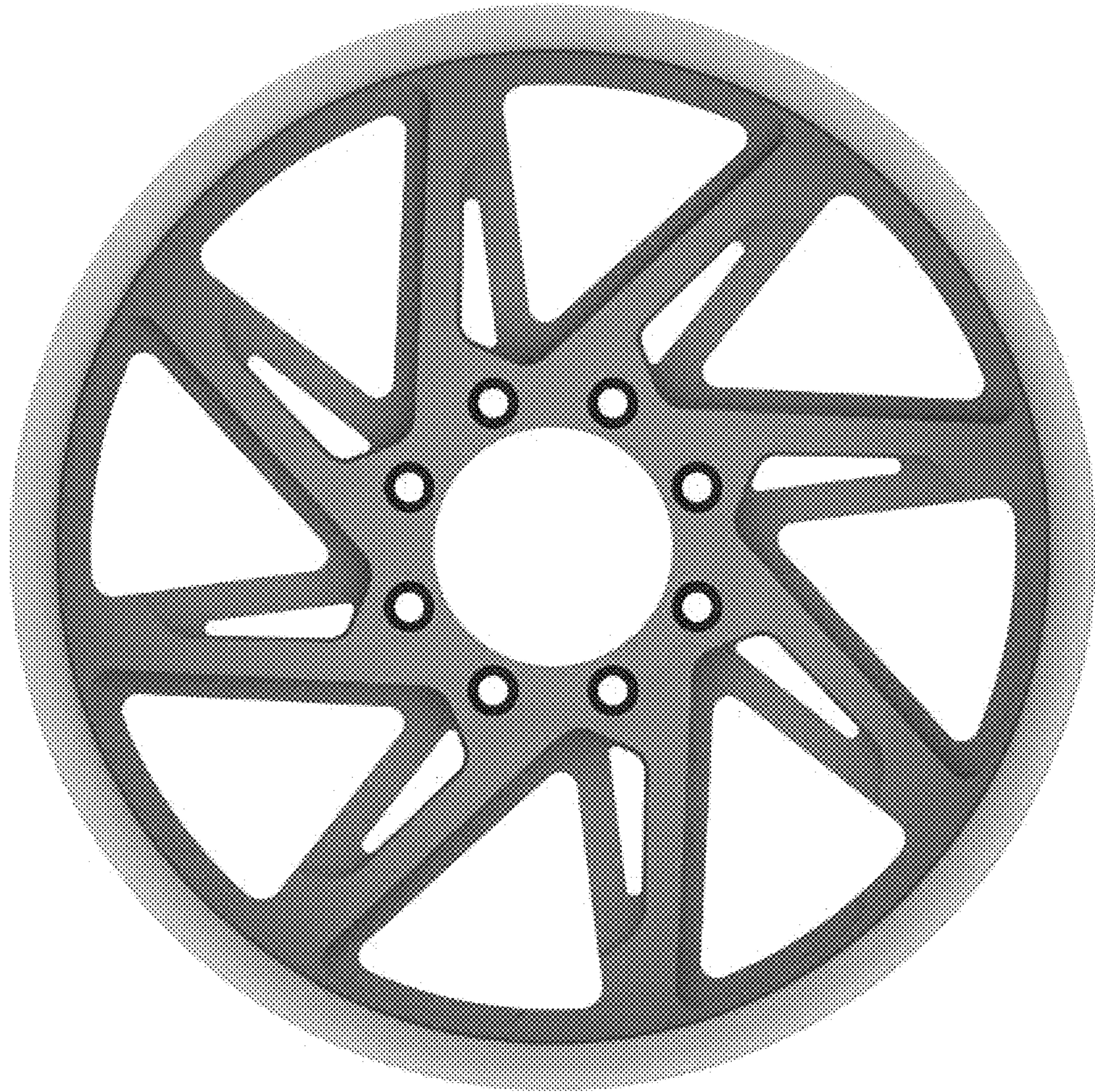


FIGURE 41

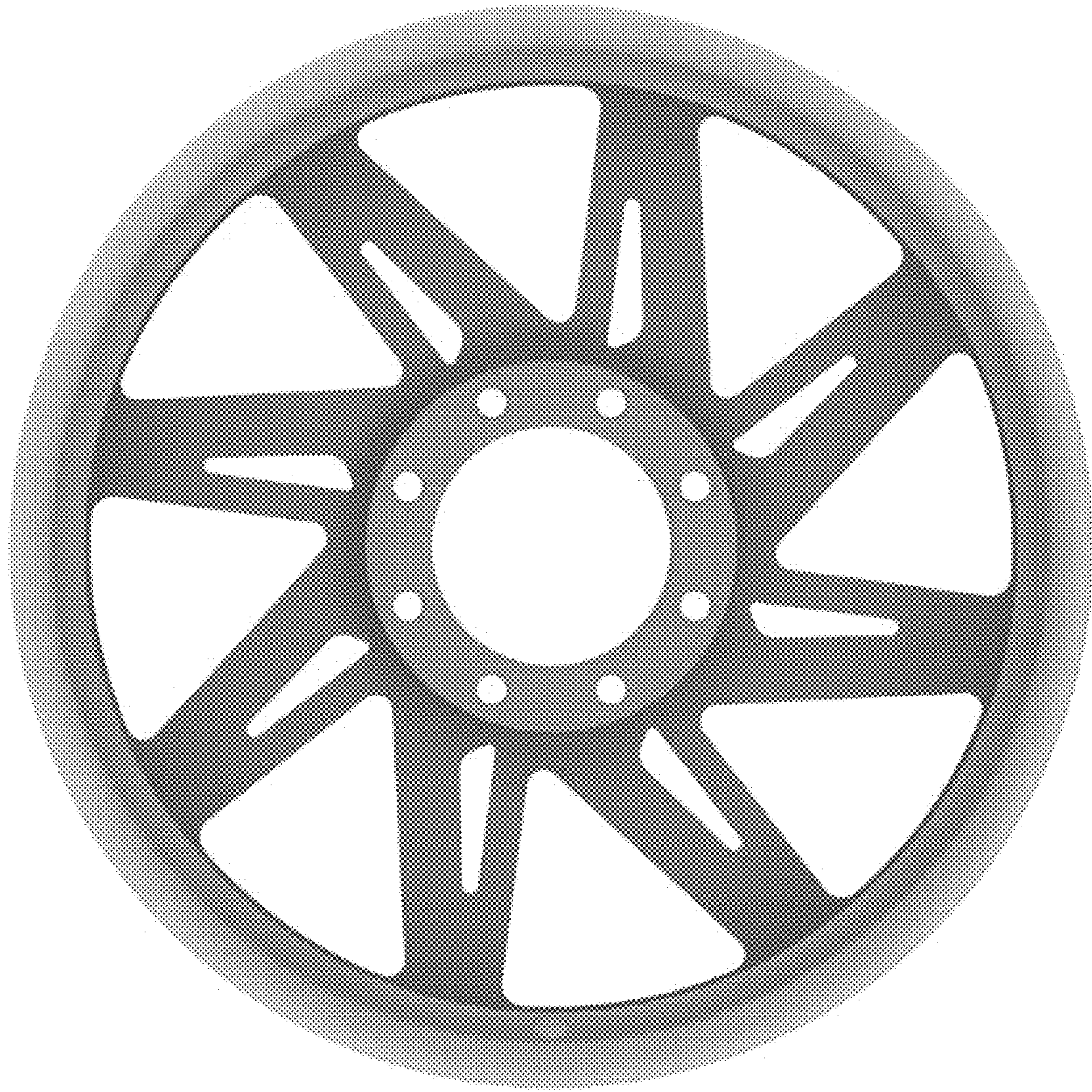


FIGURE 42



FIGURE 43