



US00D833942S

(12) **United States Design Patent**
Chung

(10) **Patent No.:** **US D833,942 S**

(45) **Date of Patent:** **** Nov. 20, 2018**

(54) **AUTOMOTIVE WHEEL**

(71) Applicant: **Suny Chung**, Anaheim, CA (US)

(72) Inventor: **Suny Chung**, Anaheim, CA (US)

(**) Term: **15 Years**

(21) Appl. No.: **29/579,072**

(22) Filed: **Sep. 27, 2016**

(51) **LOC (11) Cl.** **12-16**

(52) **U.S. Cl.**
USPC **D12/209**

(58) **Field of Classification Search**

USPC D12/204-213; D21/533, 561, 563

CPC B60B 7/00; B60B 7/02; B60B 7/04; B60B

7/06; B60B 3/02; B60B 3/04; B60B 3/06;

B60B 3/10; B60B 1/00; B60B 1/08;

B60B 1/10; B60B 1/12

See application file for complete search history.

(56) **References Cited**

U.S. PATENT DOCUMENTS

1,404,410	A *	1/1922	Schenck	B60B 1/00 301/64.305
D339,561	S *	9/1993	Maiworm	D12/211
D420,320	S *	2/2000	Khoury	D12/209
D453,492	S *	2/2002	Laengerer	D12/209
D496,315	S *	9/2004	Pfeiffer	D12/209
D497,870	S *	11/2004	Cahyono	D12/211
D633,847	S *	3/2011	Johnson	D12/211
D639,222	S *	6/2011	Johnson	D12/209
D644,156	S *	8/2011	Johnson	D12/209
D659,063	S *	5/2012	Johnson	D12/209
D666,955	S *	9/2012	Chung	D12/209
D678,160	S *	3/2013	Claunch	D12/209

* cited by examiner

Primary Examiner — Sheryl Lane

Assistant Examiner — Calvin E Vansant

(57) **CLAIM**

The ornamental design for an automotive wheel, as shown and described.

DESCRIPTION

FIG. 1 is a perspective view of a first embodiment of an automotive wheel, showing my new design with the center cap in place;

FIG. 2 is another perspective view thereof;

FIG. 3 is a front view thereof;

FIG. 4 is a perspective view of a first embodiment of an automotive wheel, showing my new design with the center cap removed;

FIG. 5 is another perspective view of FIG. 4;

FIG. 6 is a front view of FIG. 4;

FIG. 7 is a perspective view of a second embodiment of an automotive wheel, showing my new design with the center cap in place;

FIG. 8 is another perspective view thereof;

FIG. 9 is another perspective view thereof;

FIG. 10 is a front view thereof;

FIG. 11 is a perspective view of a second embodiment of an automotive wheel, showing my new design with the center cap removed;

FIG. 12 is a front view thereof;

FIG. 13 is a front view of FIG. 11;

FIG. 14 is a perspective view of a third embodiment of an automotive wheel, showing my new design with the center cap in place;

FIG. 15 is a front view thereof;

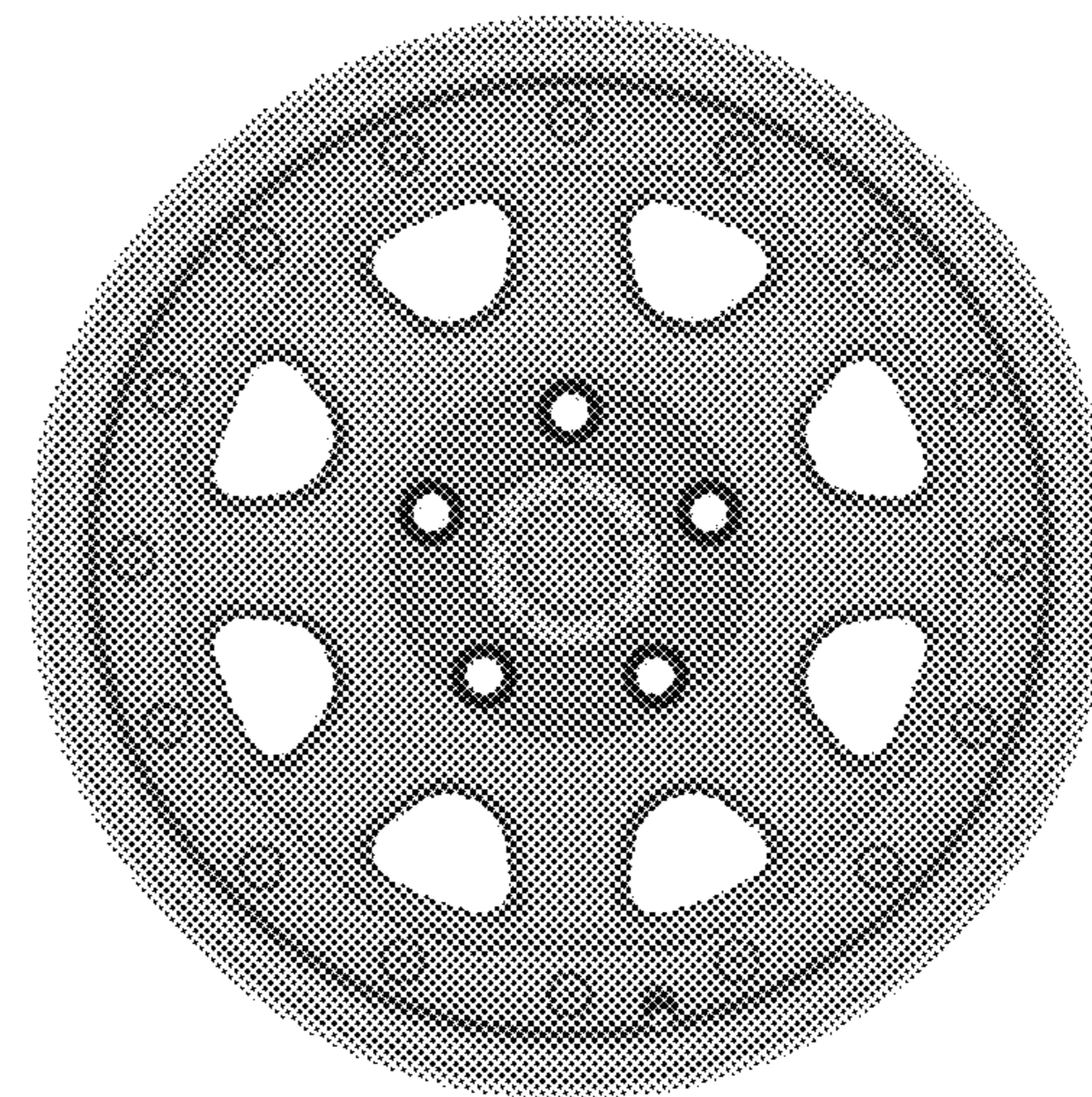
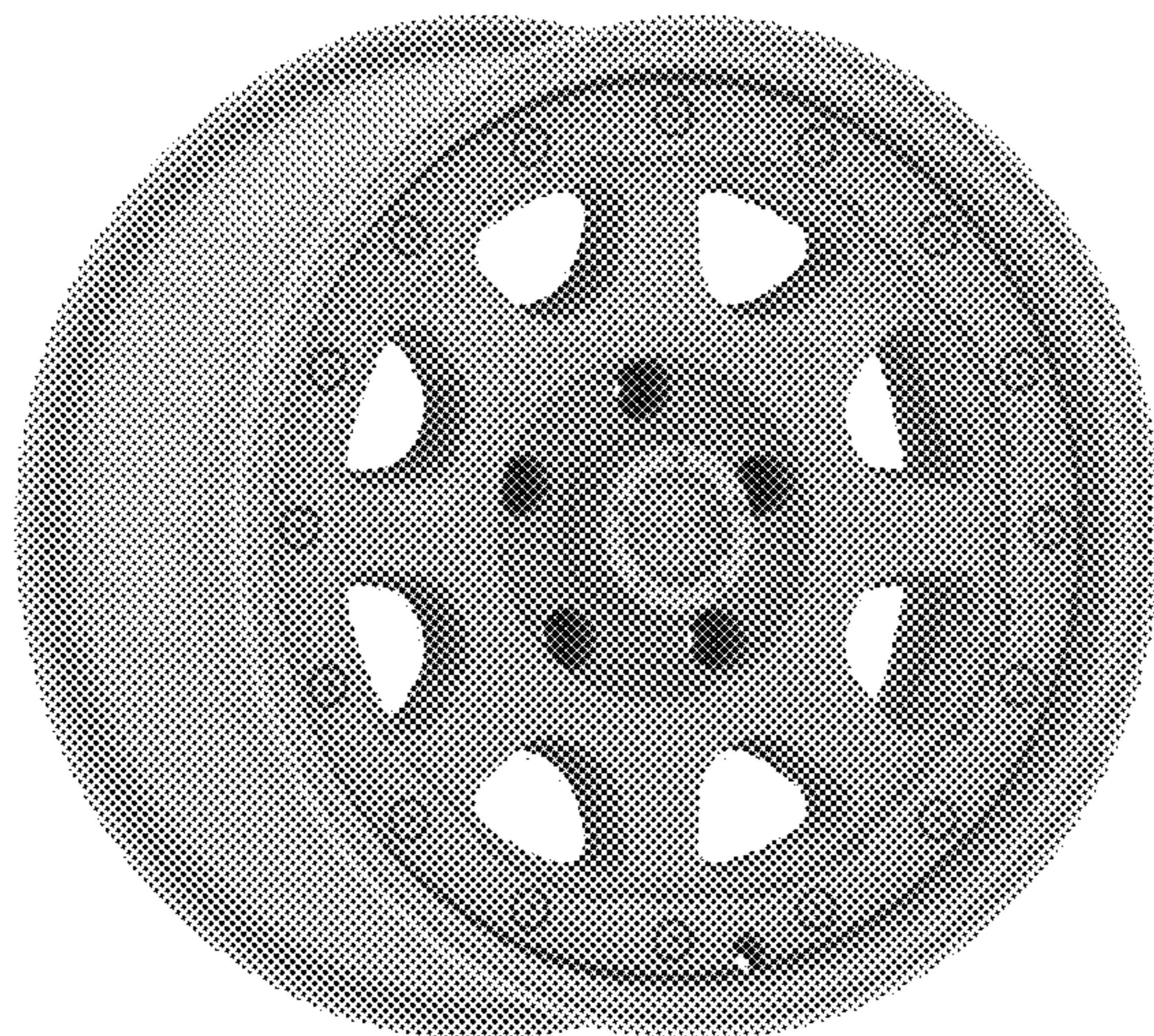
FIG. 16 is a perspective view of a third embodiment of an automotive wheel, showing my new design with the center cap in removed;

FIG. 17 is another perspective view of FIG. 16;

FIG. 18 is a front view of FIG. 16; and,

FIG. 19 is a side view of the automotive wheel in FIGS. 1-18.

1 Claim, 19 Drawing Sheets



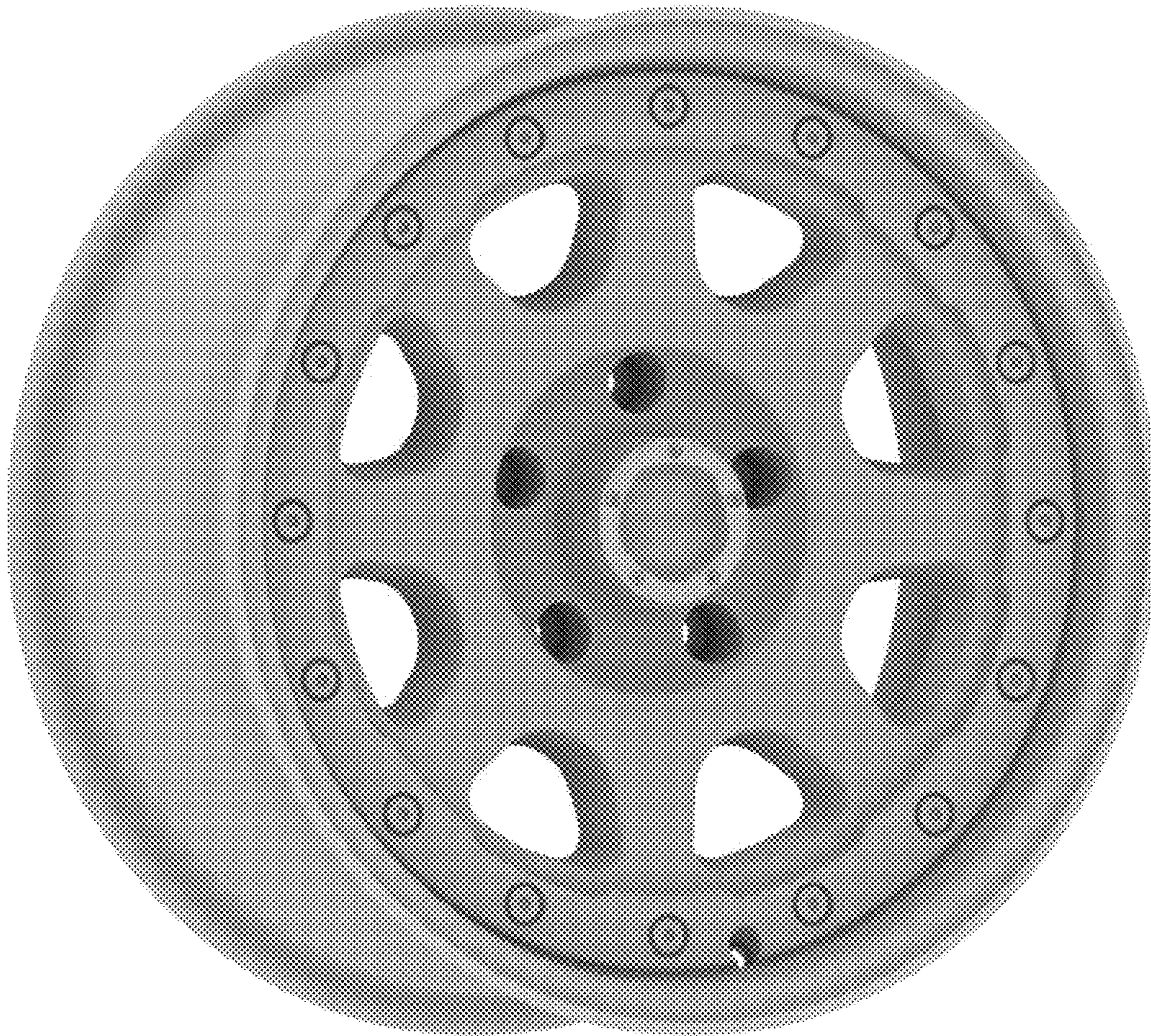


FIGURE 1



FIGURE 2

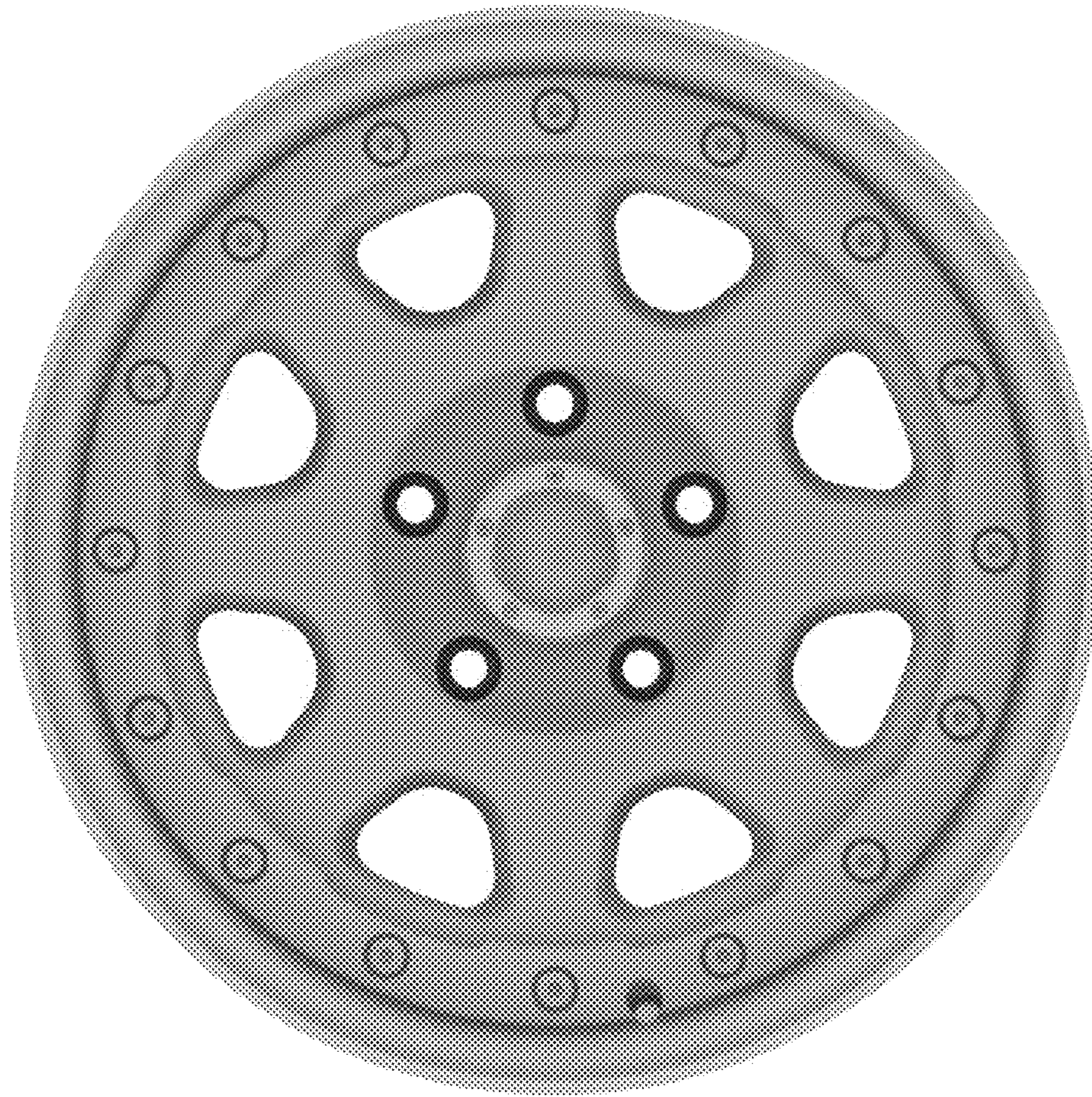


FIGURE 3

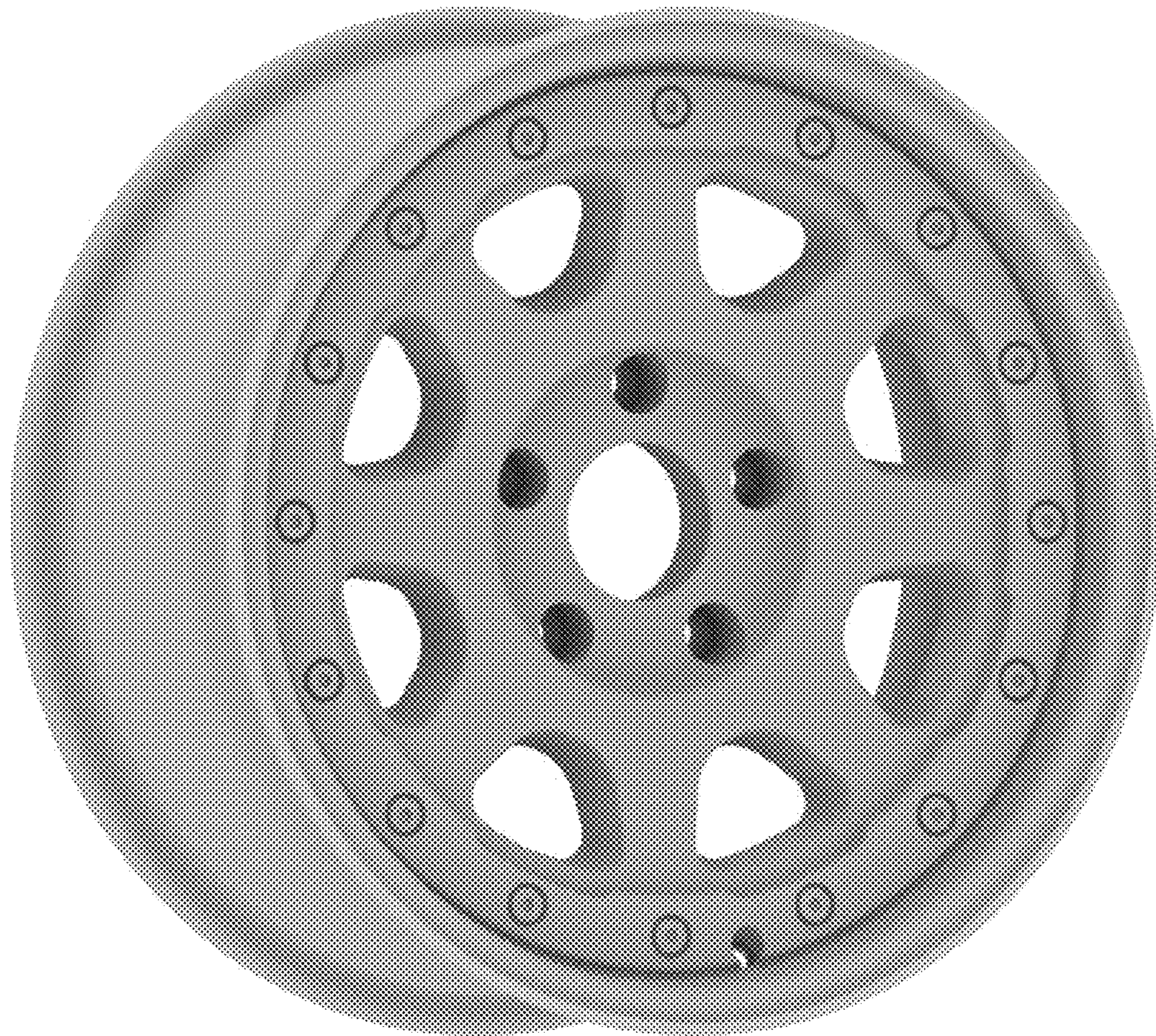


FIGURE 4

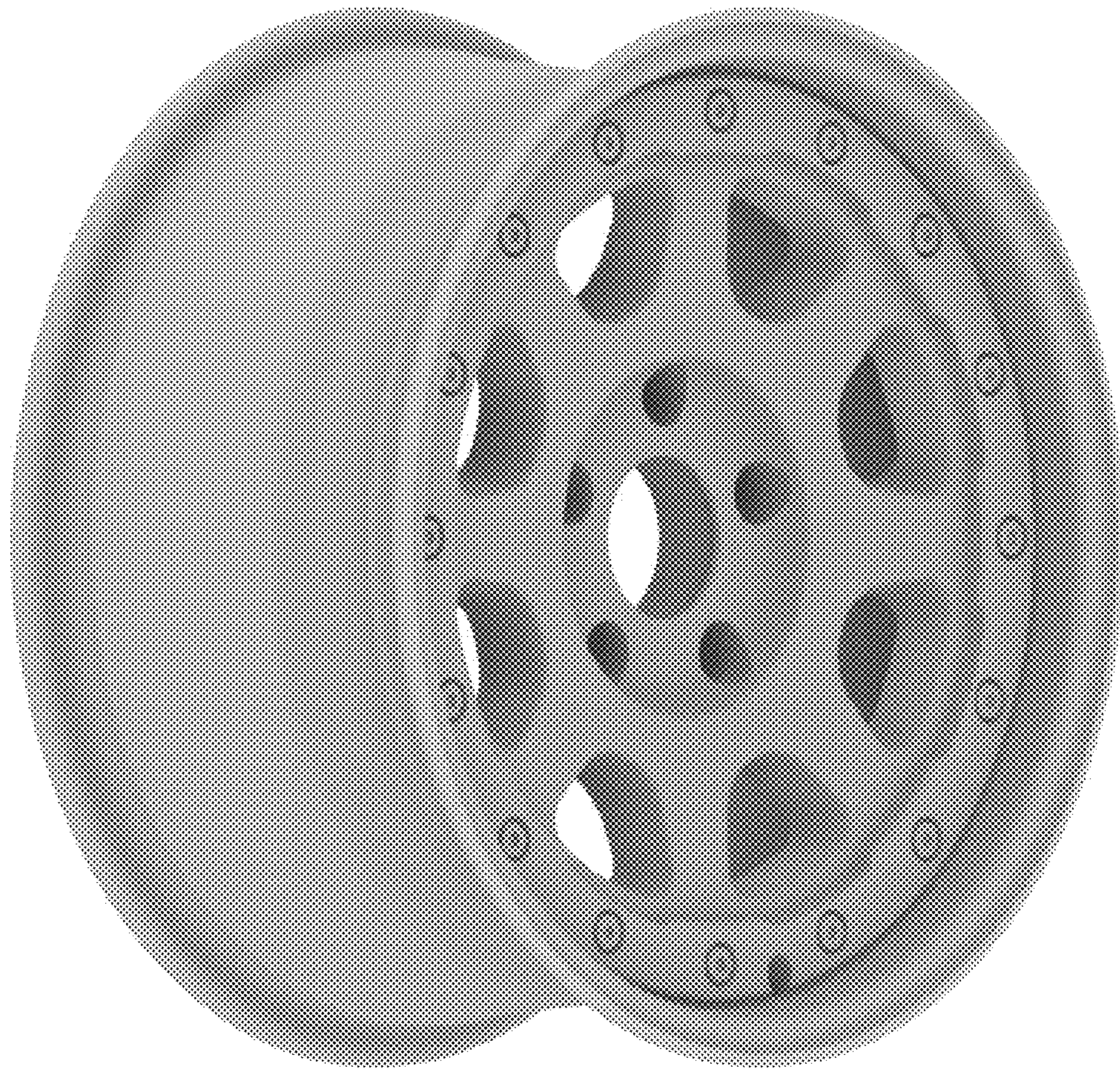


FIGURE 5

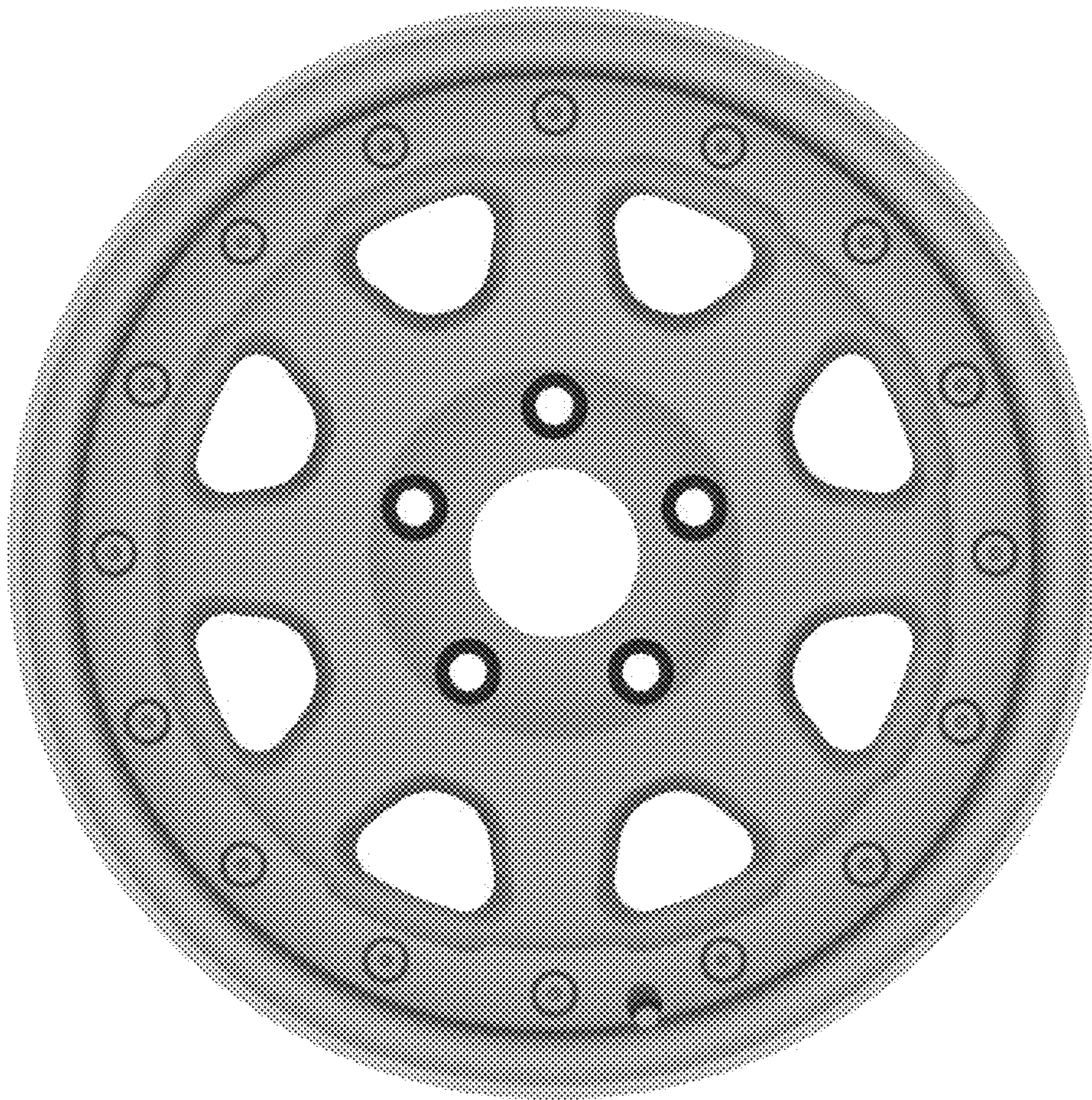


FIGURE 6

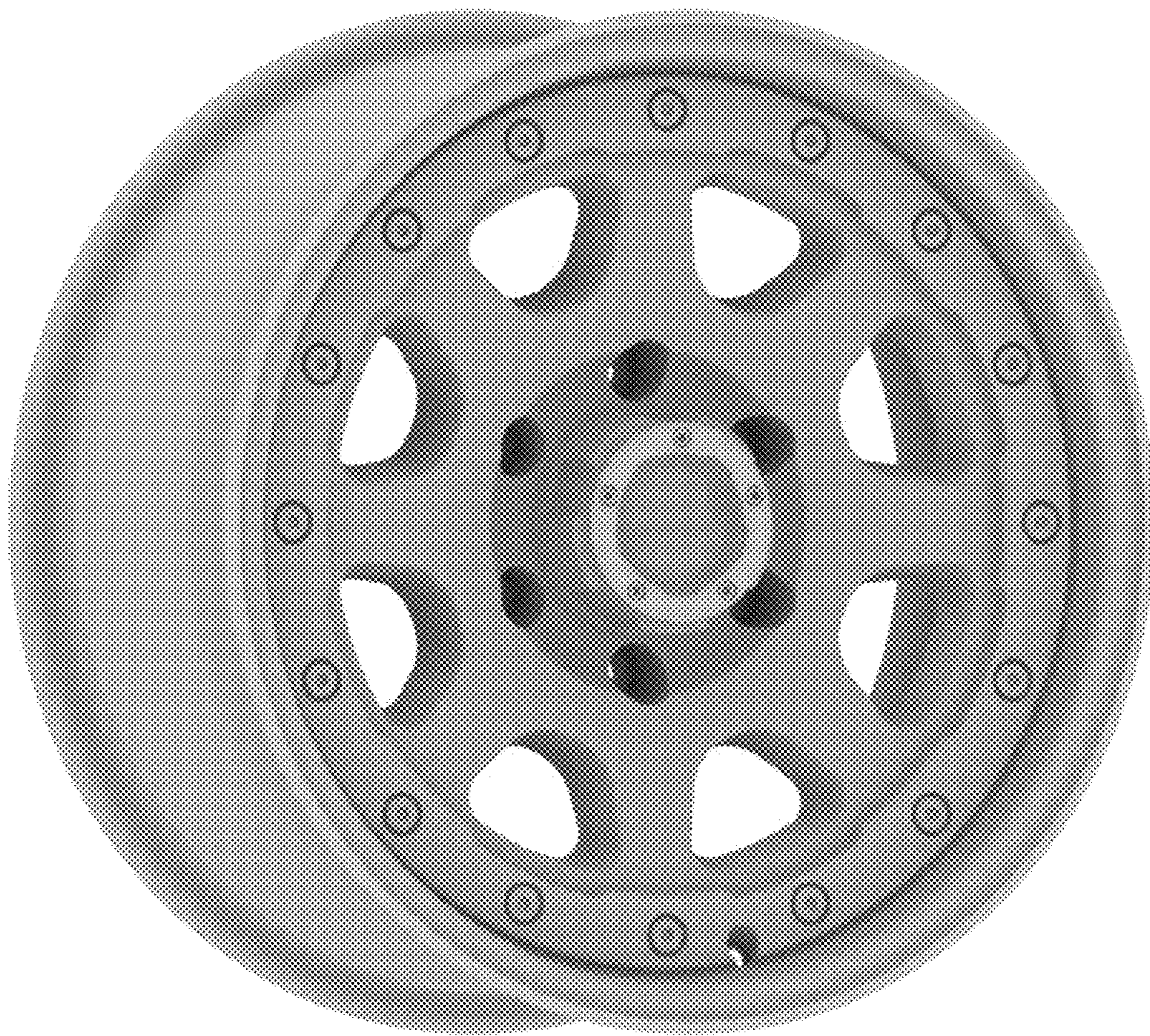


FIGURE 7



FIGURE 8

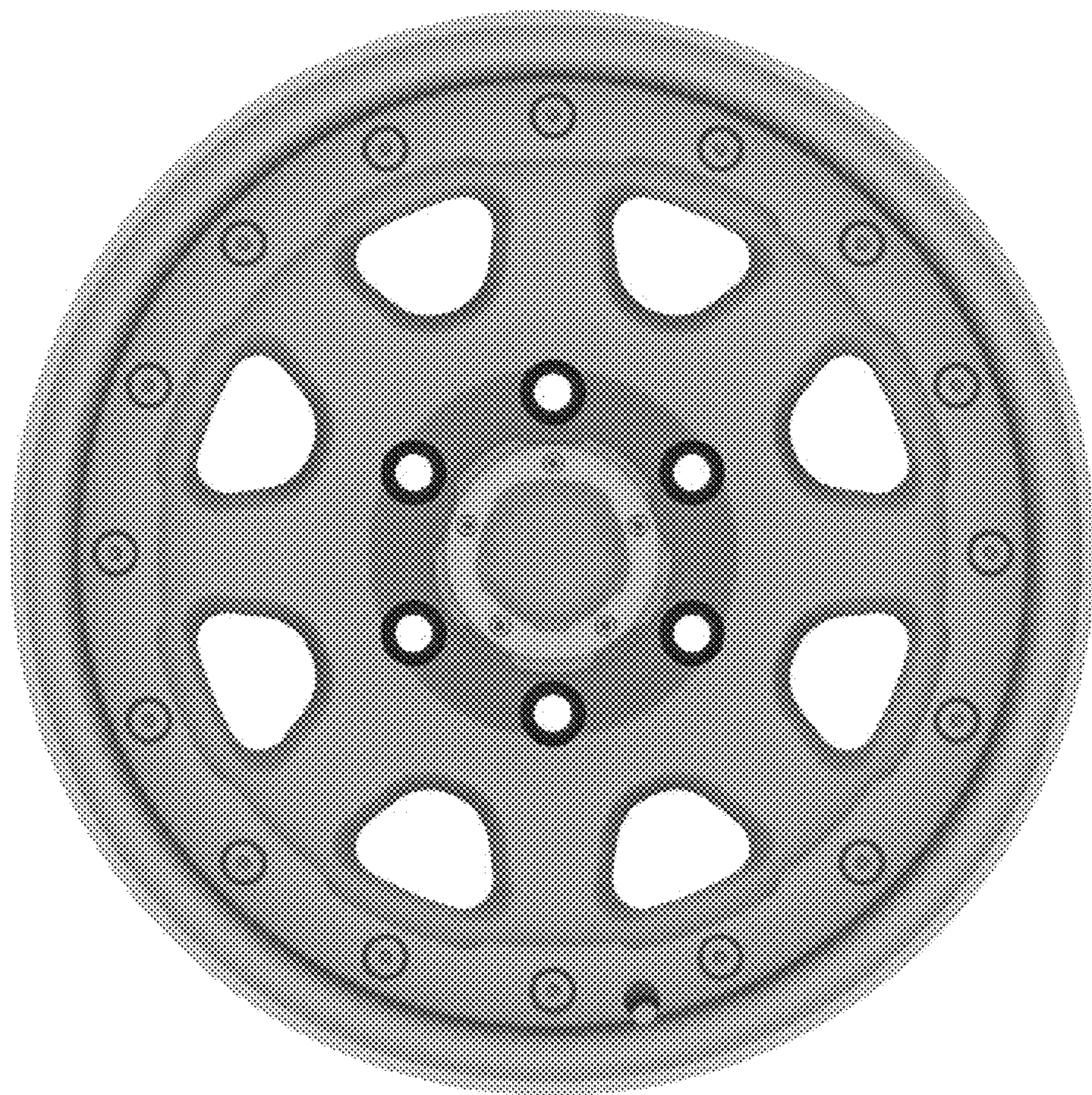


FIGURE 9

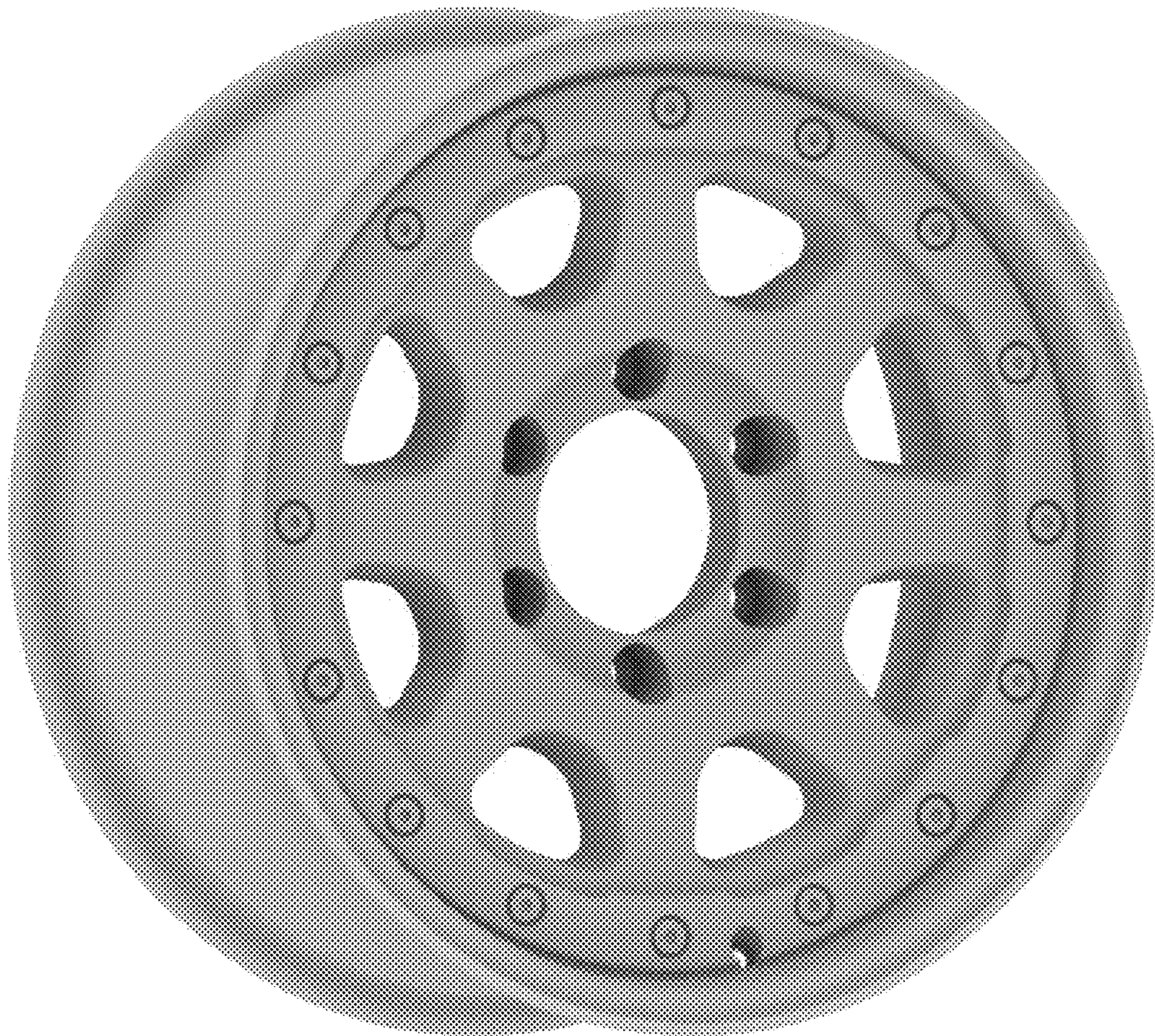


FIGURE 10

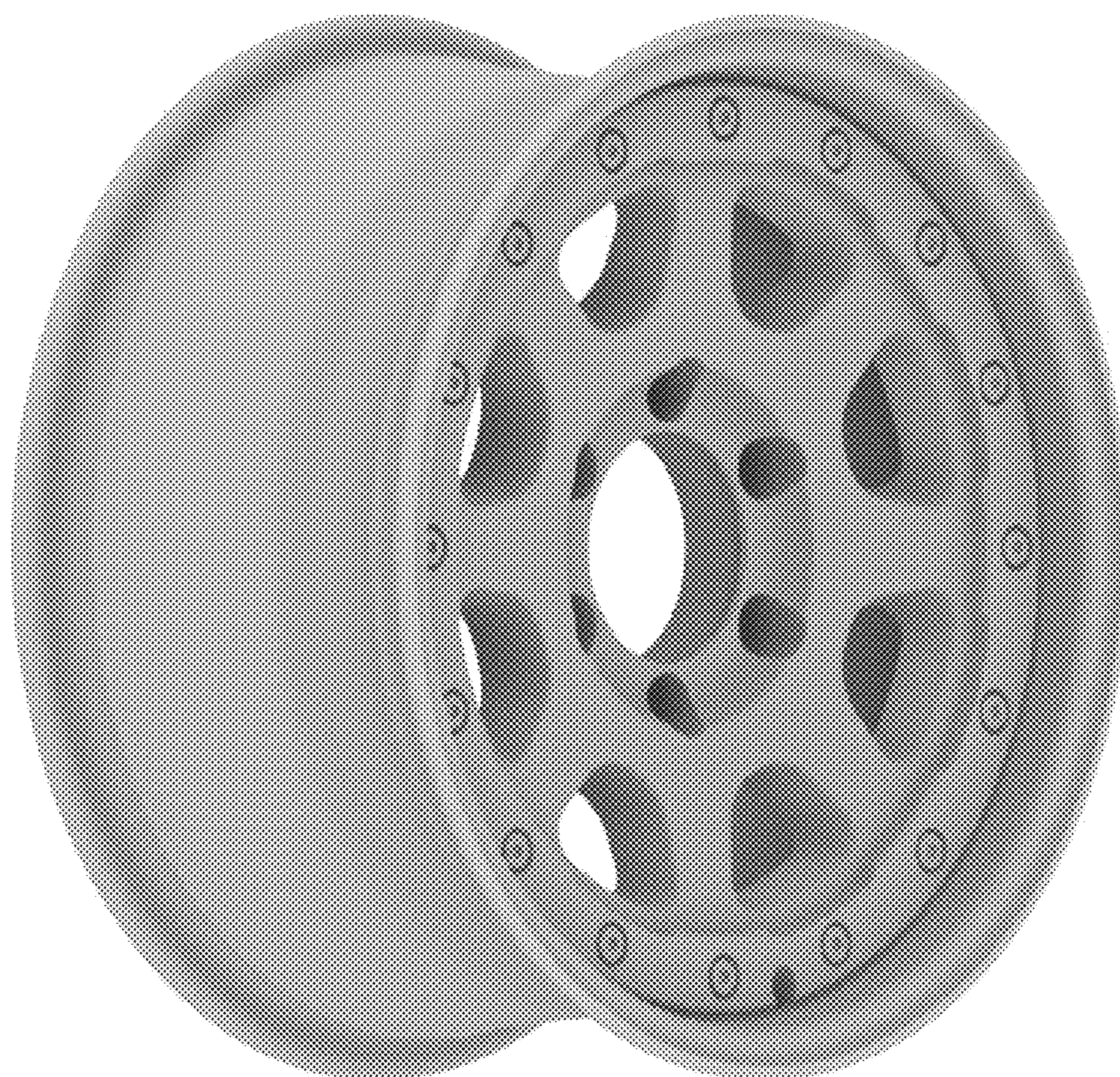


FIGURE 11

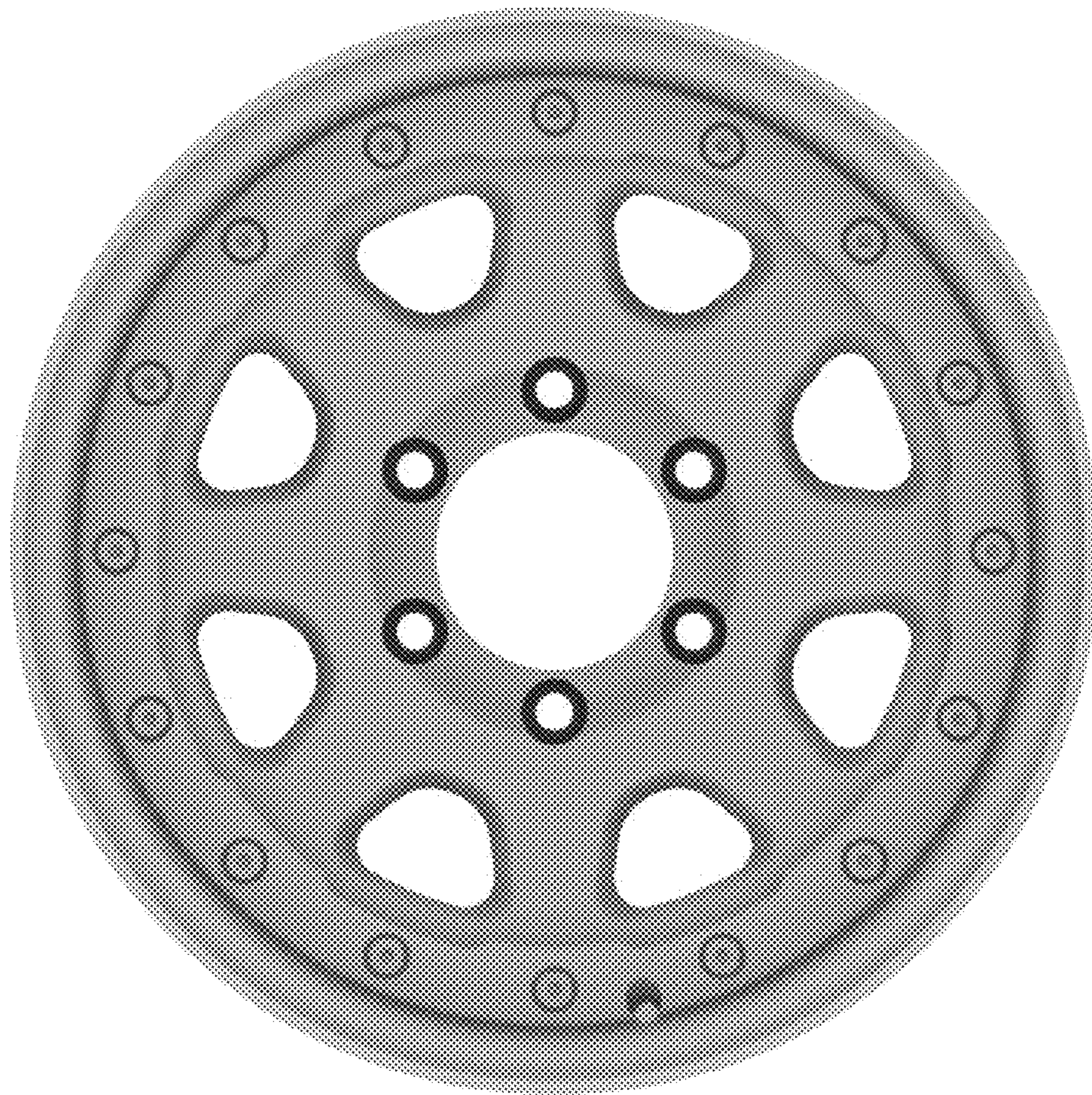


FIGURE 12



FIGURE 13



FIGURE 14

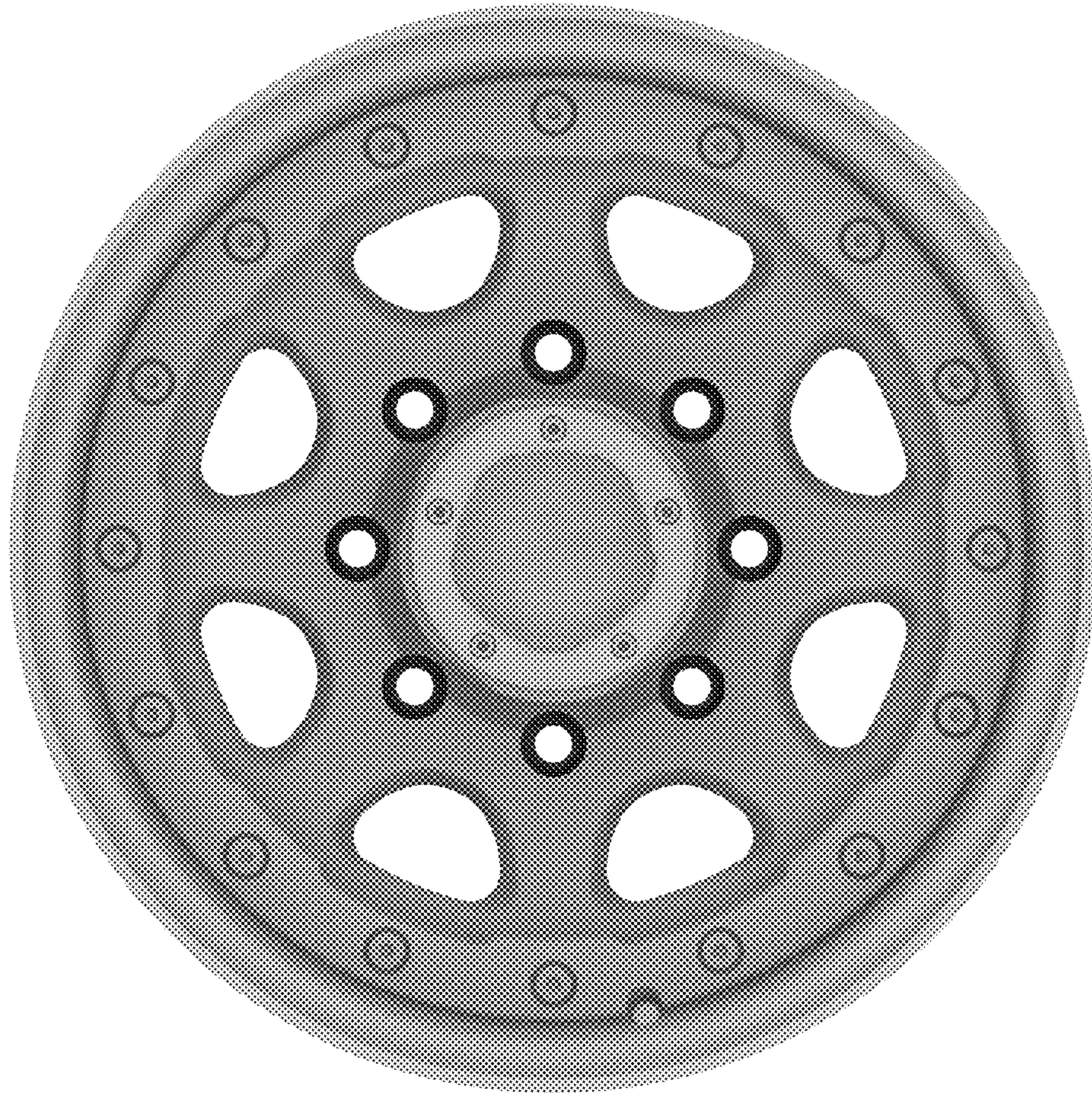


FIGURE 15



FIGURE 16



FIGURE 17

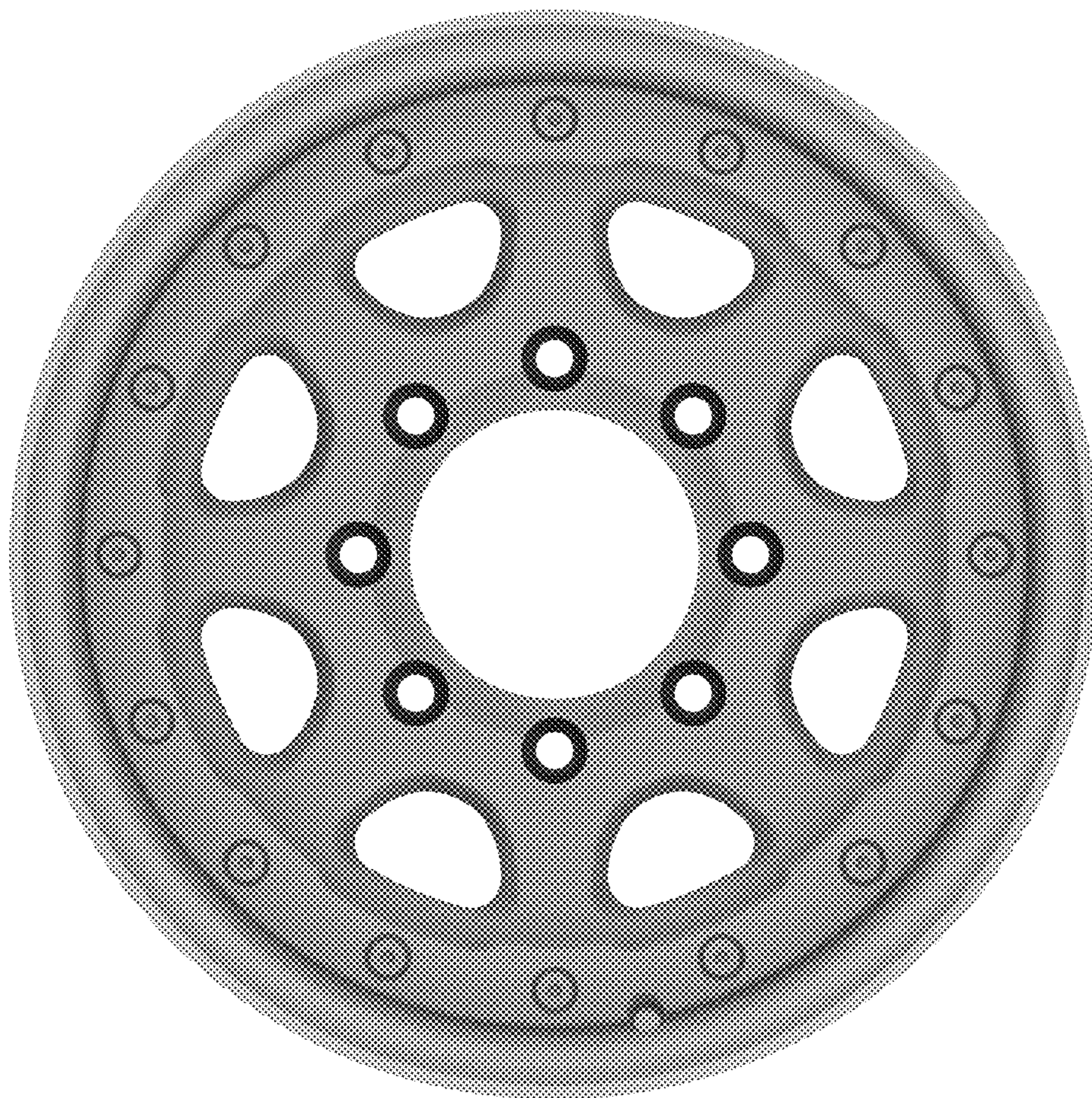


FIGURE 18

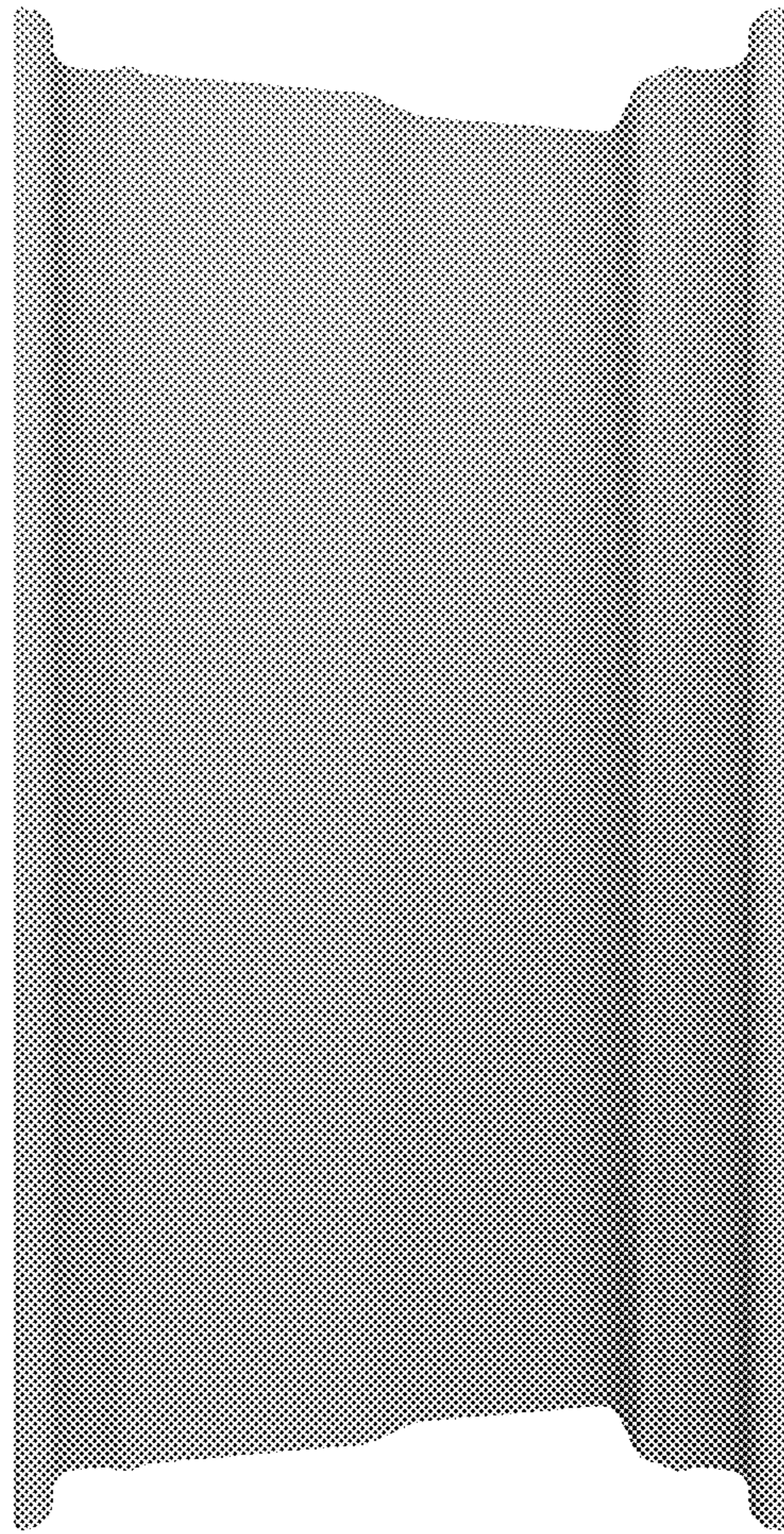


FIGURE 19