



US00D833940S

(12) **United States Design Patent**
DiCanzio

(10) **Patent No.:** **US D833,940 S**

(45) **Date of Patent:** **** Nov. 20, 2018**

(54) **ROCK SLIDERS**

(71) Applicant: **Turn 5, Inc.**, Malvern, PA (US)

(72) Inventor: **Michael DiCanzio**, West Chester, PA (US)

(73) Assignee: **Turn 5, Inc.**, Paoli, PA (US)

(**) Term: **15 Years**

(21) Appl. No.: **29/626,381**

(22) Filed: **Nov. 16, 2017**

(51) **LOC (11) Cl.** **12-16**

(52) **U.S. Cl.**
USPC **D12/203**

(58) **Field of Classification Search**
USPC D12/203, 89, 98, 314, 162, 190, 196;
D25/69
CPC .. B60R 3/002; B60R 3/02; B60R 3/00; B60R
3/005; B60R 3/007
See application file for complete search history.

(56) **References Cited**

U.S. PATENT DOCUMENTS

D395,268 S *	6/1998	Tucker	D12/203
D488,759 S *	4/2004	Hattori	D12/203
D545,747 S *	7/2007	Storer	D12/203
D549,145 S *	8/2007	Kieffer	D12/203
D549,146 S *	8/2007	Kieffer	D12/203
D559,755 S *	1/2008	Ito	D12/203
D594,564 S *	6/2009	Disch	D25/69
D671,874 S *	12/2012	Kekich, Jr.	D12/203
D717,708 S *	11/2014	Romero	D12/203

D737,746 S *	9/2015	Wegener	D12/203
D741,769 S *	10/2015	Turner	D12/203
D789,857 S *	6/2017	Hare	D12/203
D789,858 S *	6/2017	Hare	D12/203
D800,622 S *	10/2017	Ito	D12/203
2011/0266766 A1 *	11/2011	Huang-Tsai	B60R 3/00 280/169

* cited by examiner

Primary Examiner — Michelle E. Wilson

Assistant Examiner — Clese Moore, Jr.

(74) *Attorney, Agent, or Firm* — Schott P.C.

(57) **CLAIM**

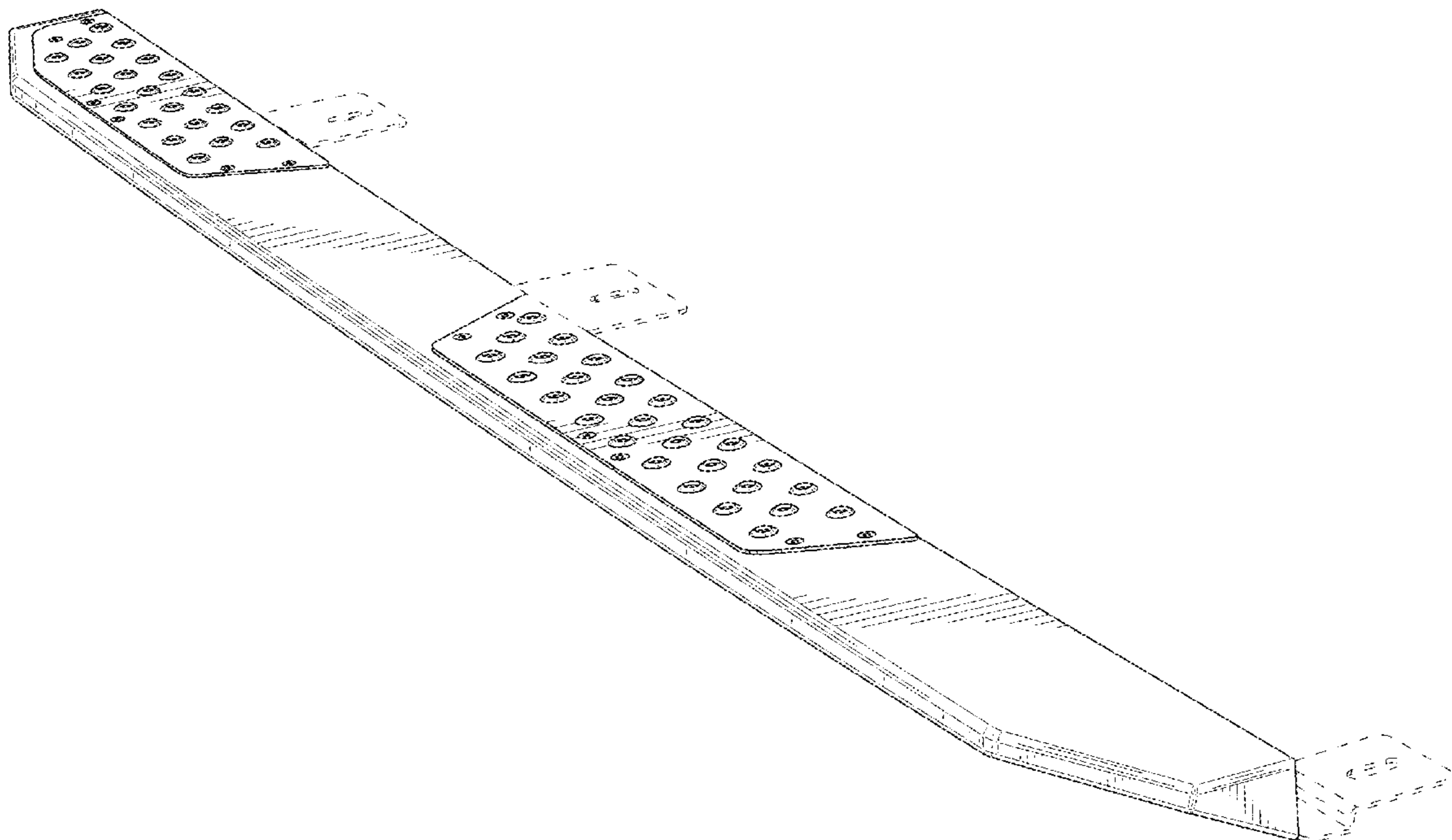
The ornamental design for the rock sliders, as shown and described.

DESCRIPTION

FIG. 1 is a passenger side perspective view of the rock sliders of the present invention;
FIG. 2 is a driver side perspective view thereof;
FIG. 3 is a bottom perspective view thereof;
FIG. 4 is a front view thereof;
FIG. 5 is a back view thereof;
FIG. 6 is a top view thereof;
FIG. 7 is a bottom view thereof;
FIG. 8 is a right side view thereof;
FIG. 9 is a left side view thereof; and,
FIG. 10 is a front perspective view in a potential environment.

The broken lines illustrate the design's environment and form no part of the claimed design.

1 Claim, 7 Drawing Sheets



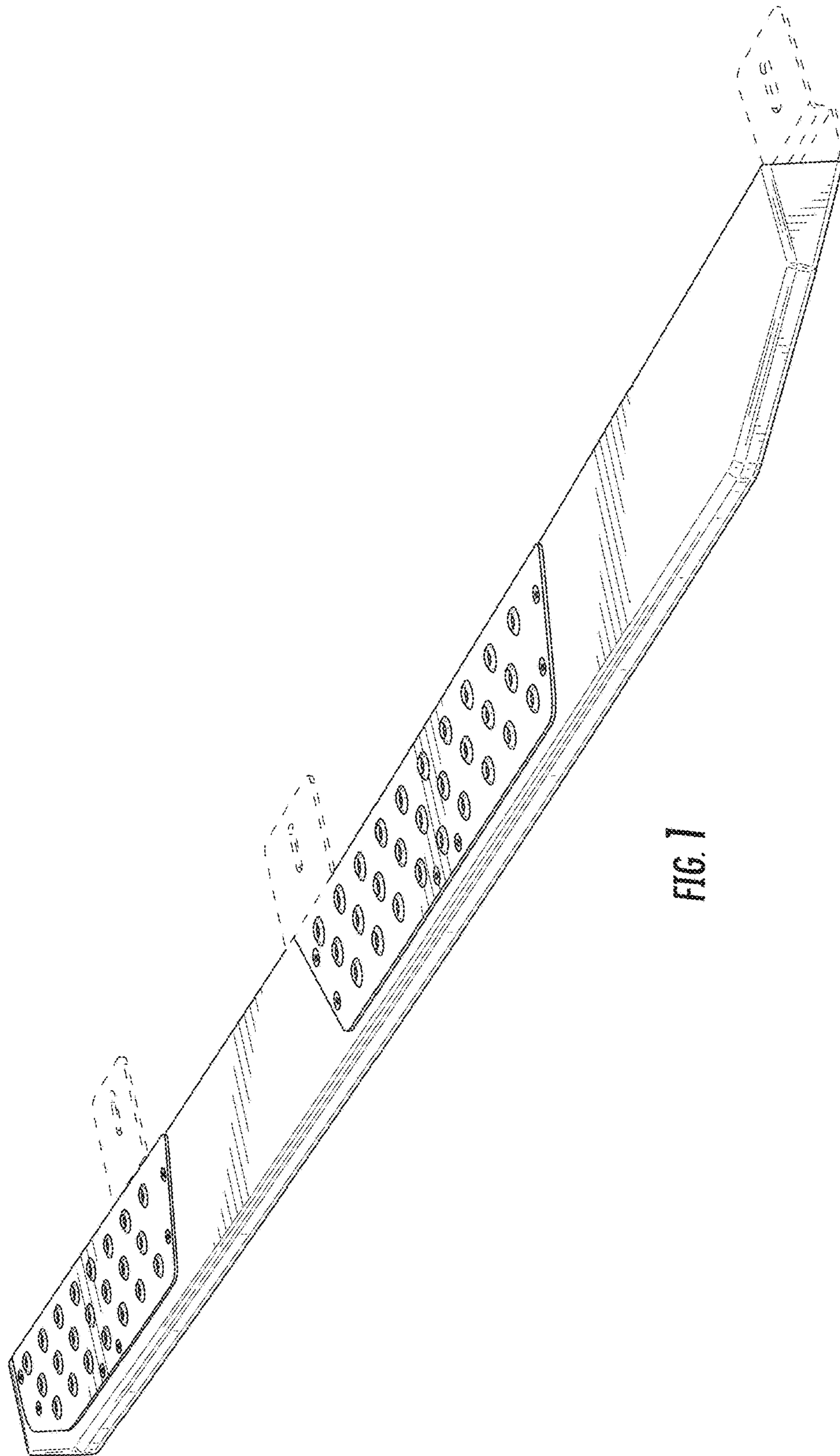


FIG. 1

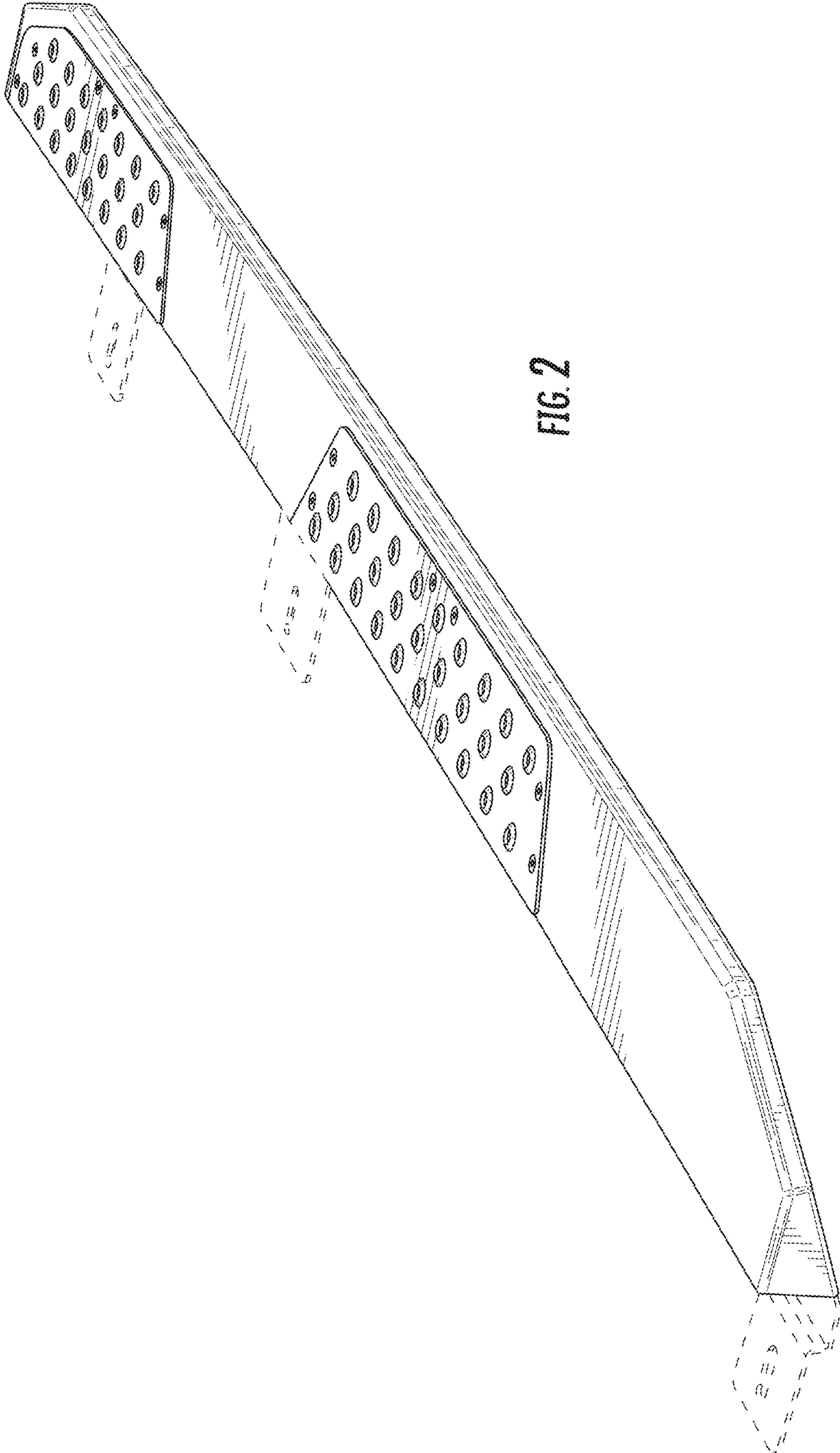


FIG. 2

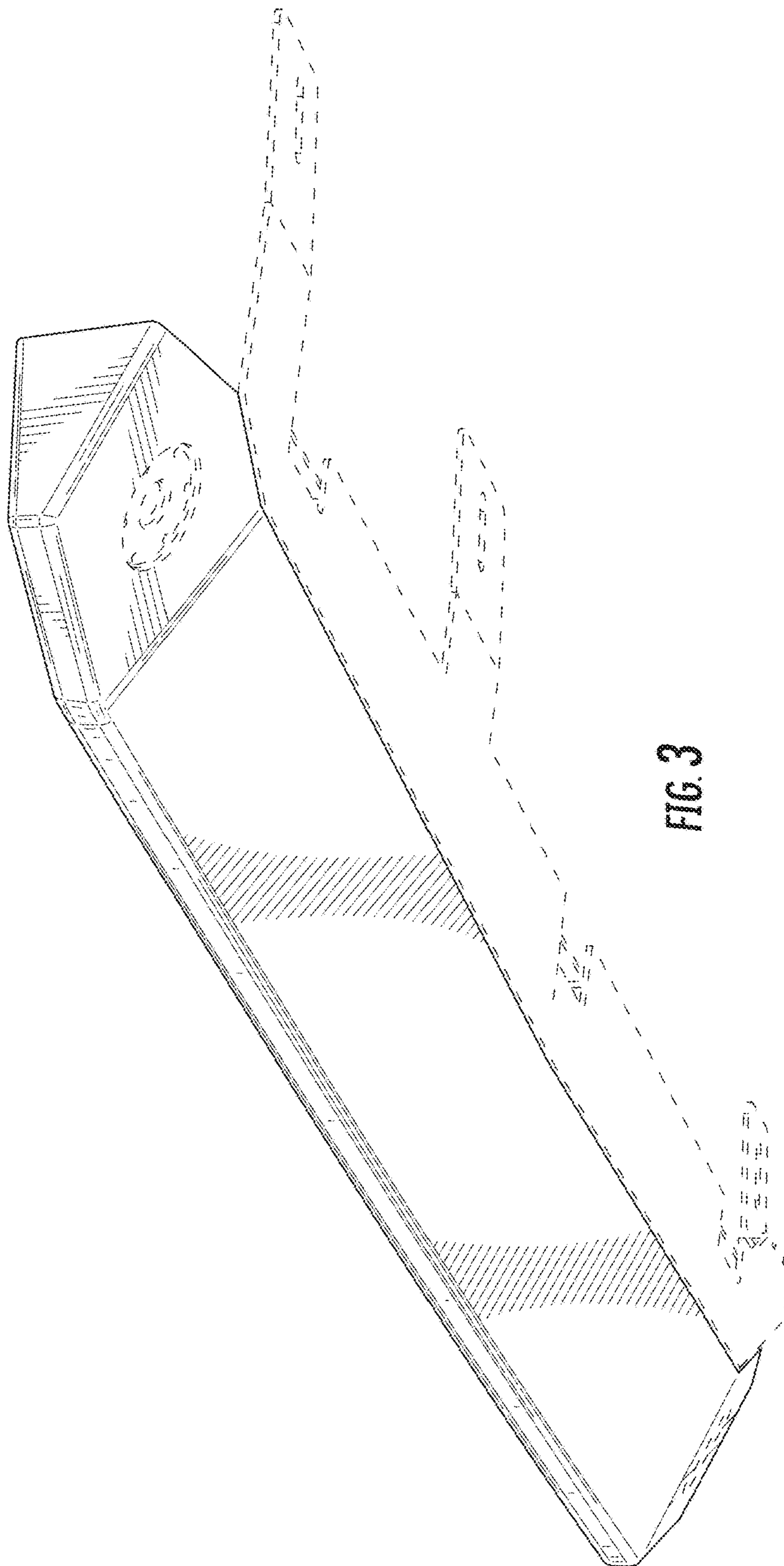


FIG. 3

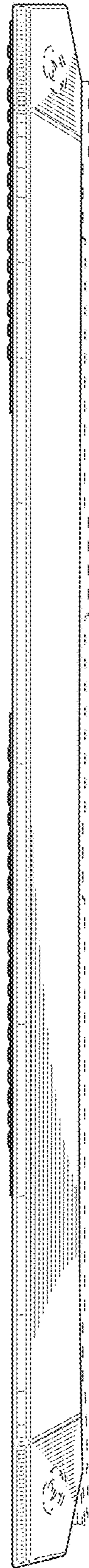


FIG. 4



FIG. 5

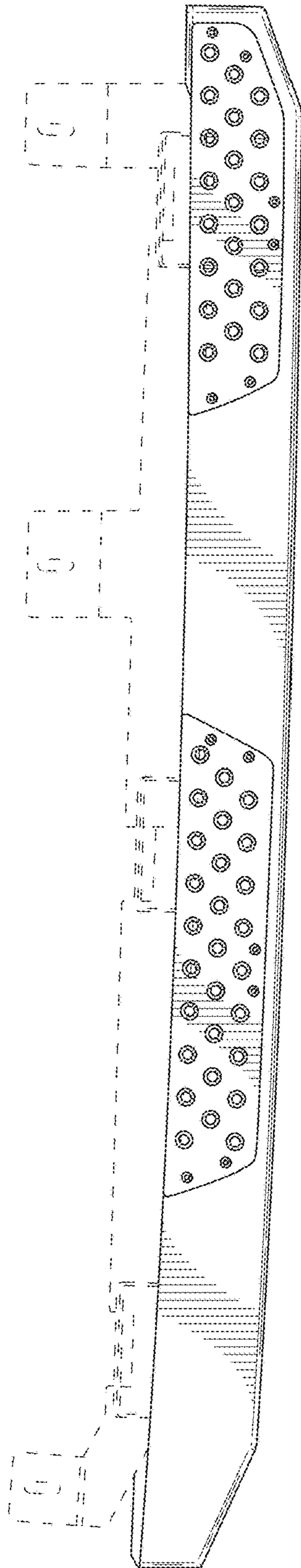


FIG. 6

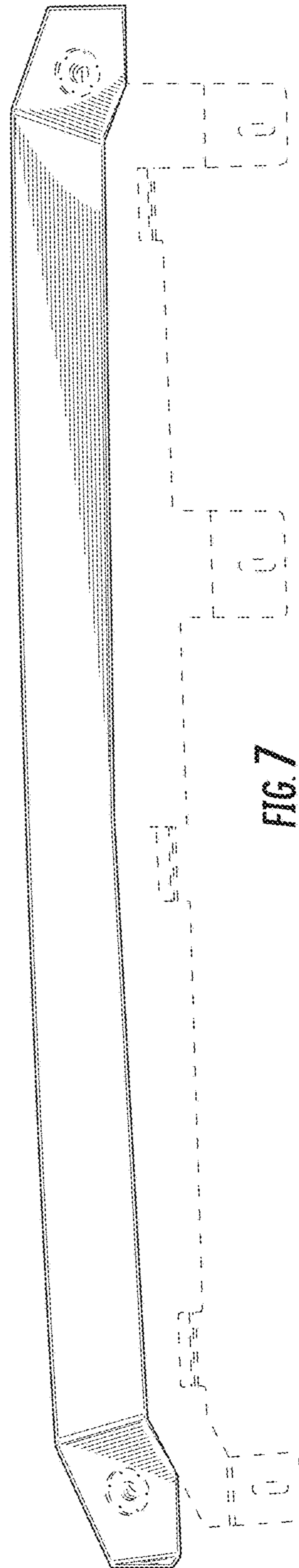


FIG. 7



FIG. 8



FIG. 9

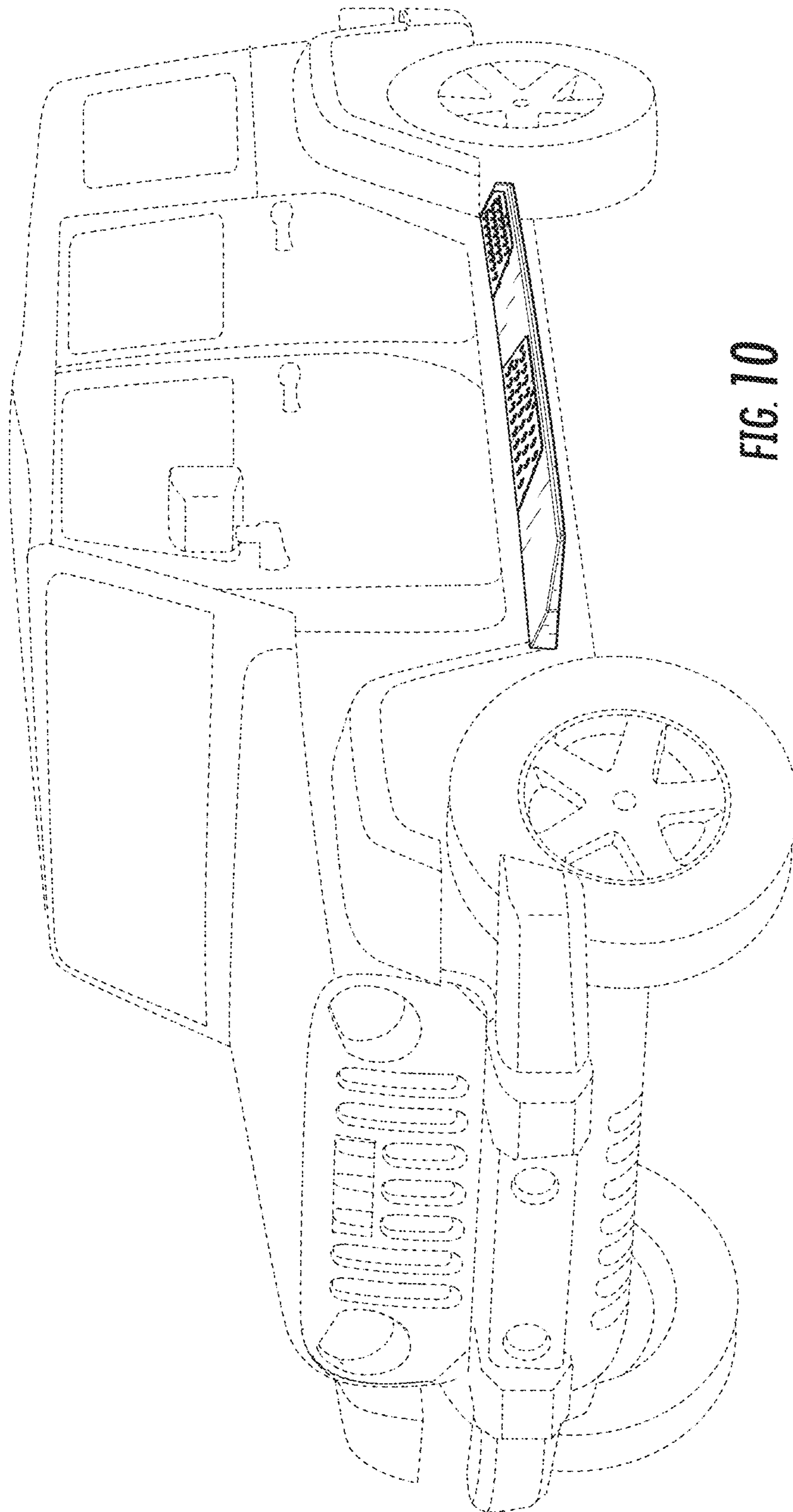


FIG. 10