



US00D833935S

(12) **United States Design Patent** (10) **Patent No.:** **US D833,935 S**  
**Montgomery et al.** (45) **Date of Patent:** **\*\* Nov. 20, 2018**

(54) **CONSOLE FOR A WORK VEHICLE**

2,961,700 A1	9/2017	Montgomery	
D801,245 S *	10/2017	Giolito .....	D12/192
D803,120 S *	11/2017	Boas .....	D12/192
D804,465 S *	12/2017	Riggs .....	D14/258
D806,623 S *	1/2018	Kato .....	D12/192
D809,443 S *	2/2018	Walker .....	D12/192
D817,832 S *	5/2018	Maezono .....	D12/192
D819,533 S *	6/2018	Choi .....	D12/192

(71) Applicant: **CNH Industrial America LLC**, New Holland, PA (US)

(72) Inventors: **Douglas Vern Montgomery**, Downers Grove, IL (US); **Russell Alan Meyer**, Crystal Lake, IL (US); **Eric Michael Jacobsthal**, Elmhurst, IL (US)

\* cited by examiner

(73) Assignee: **CNH Industrial America LLC**, New Holland, PA (US)

*Primary Examiner* — Katrina A Betton  
(74) *Attorney, Agent, or Firm* — Rickard K. DeMille; Rebecca L. Henkel

(\*\*) Term: **15 Years**

(21) Appl. No.: **29/617,014**

(57) **CLAIM**

(22) Filed: **Sep. 11, 2017**

The ornamental design for a console for a work vehicle, as shown and described.

(51) **LOC (11) Cl.** ..... **12-16**

(52) **U.S. Cl.**

USPC ..... **D12/192**

(58) **Field of Classification Search**

CPC ..... B60H 1/34; B60H 1/3407; B60H 1/3414;  
B60H 1/3421; B60H 1/3428; B60H  
1/3435; B60H 1/3442; B60H 1/345;  
B60H 1/3457

See application file for complete search history.

**DESCRIPTION**

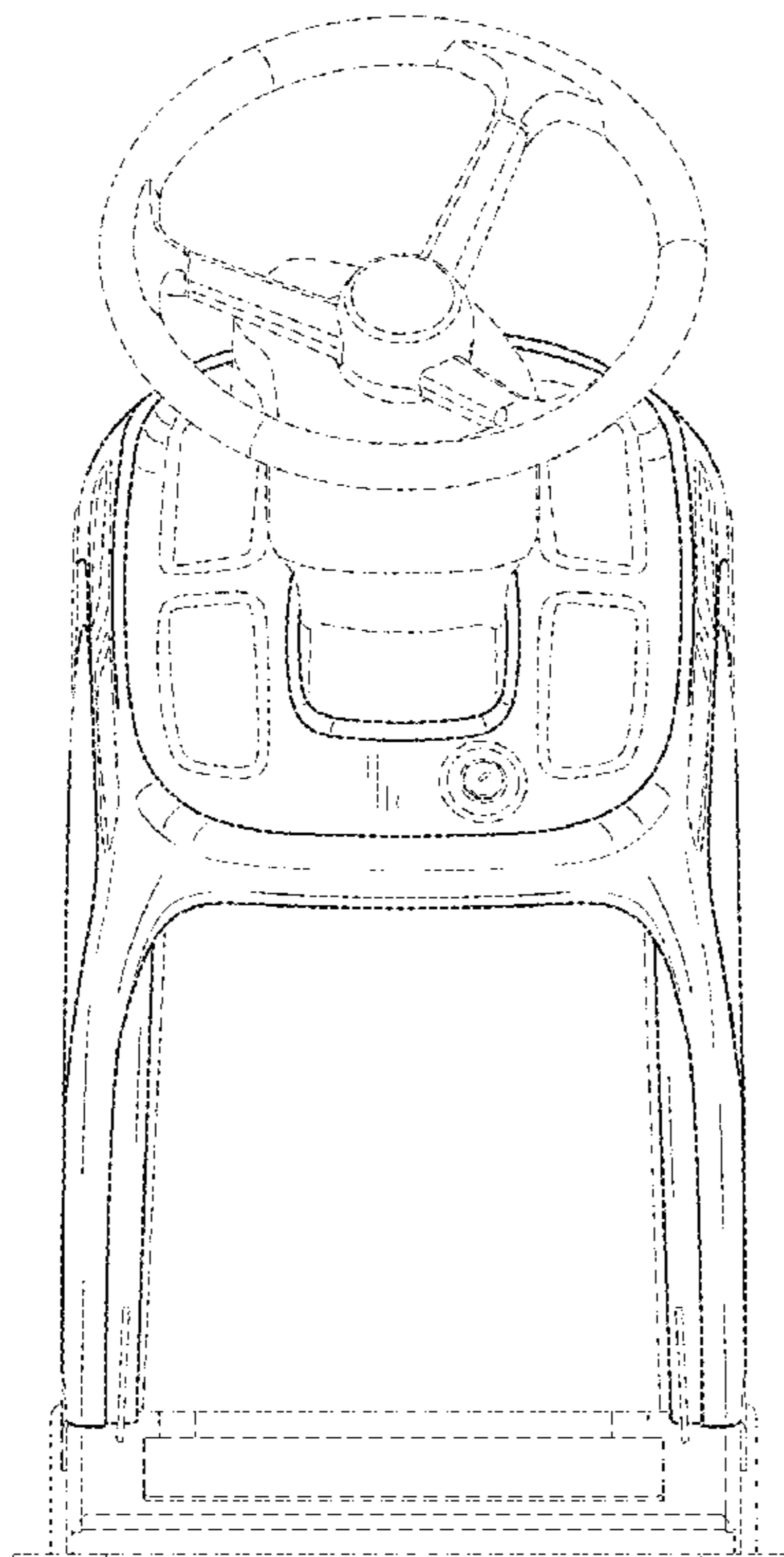
FIG. 1 is a perspective view of a console for a work vehicle; FIG. 2 is a front view of the console; FIG. 3 is a right side view of the console; FIG. 4 is a left side view of the console; FIG. 5 is a top view of the console; and, FIG. 6 is a back view of the console. Phantom lines, where utilized, are for illustrative purposes only and form no part of the claimed design.

(56) **References Cited**

**U.S. PATENT DOCUMENTS**

D791,761 S *	7/2017	Quilling, II .....	D12/192
D795,145 S *	8/2017	Miyashita .....	D12/192

**1 Claim, 6 Drawing Sheets**



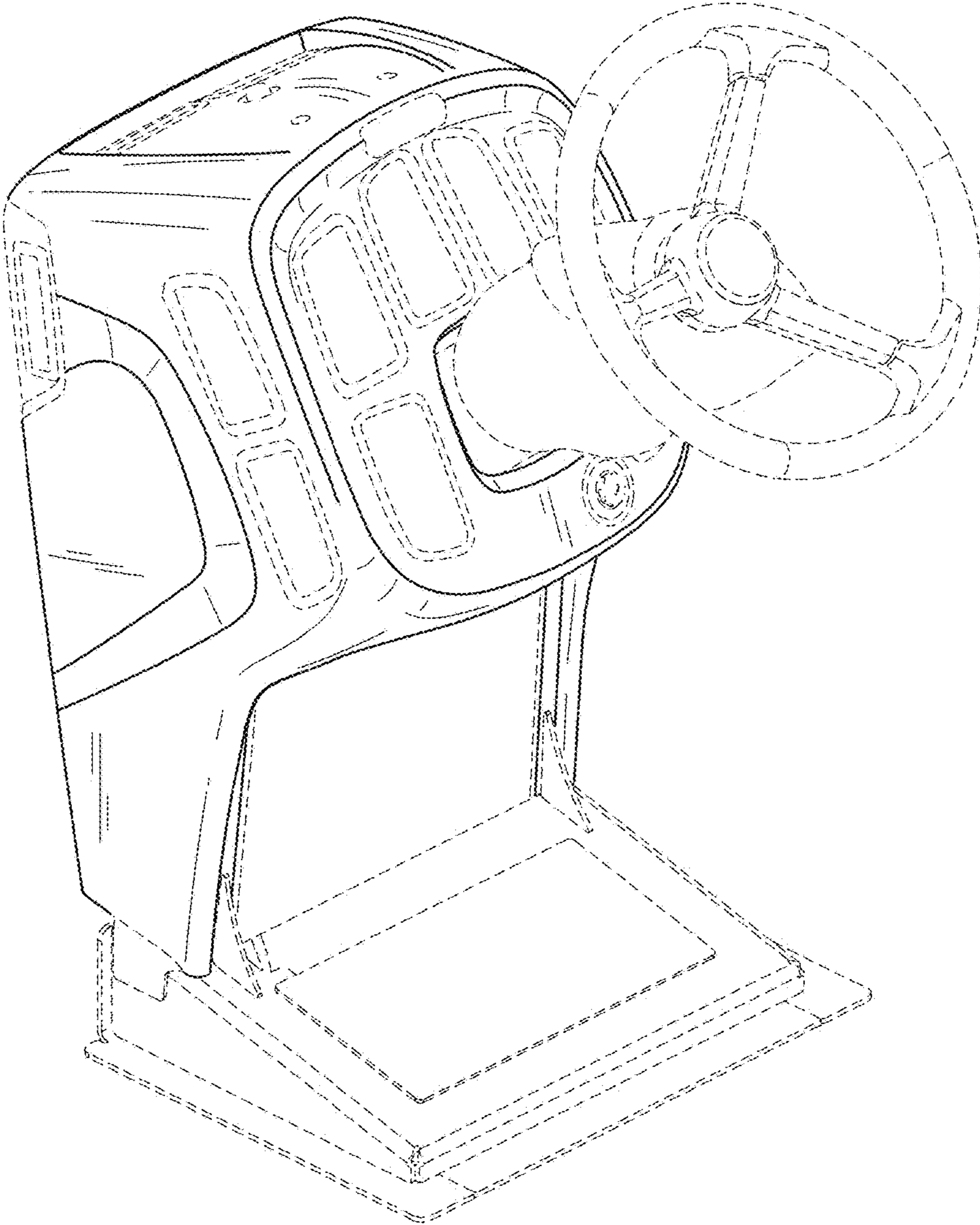


FIG. 1

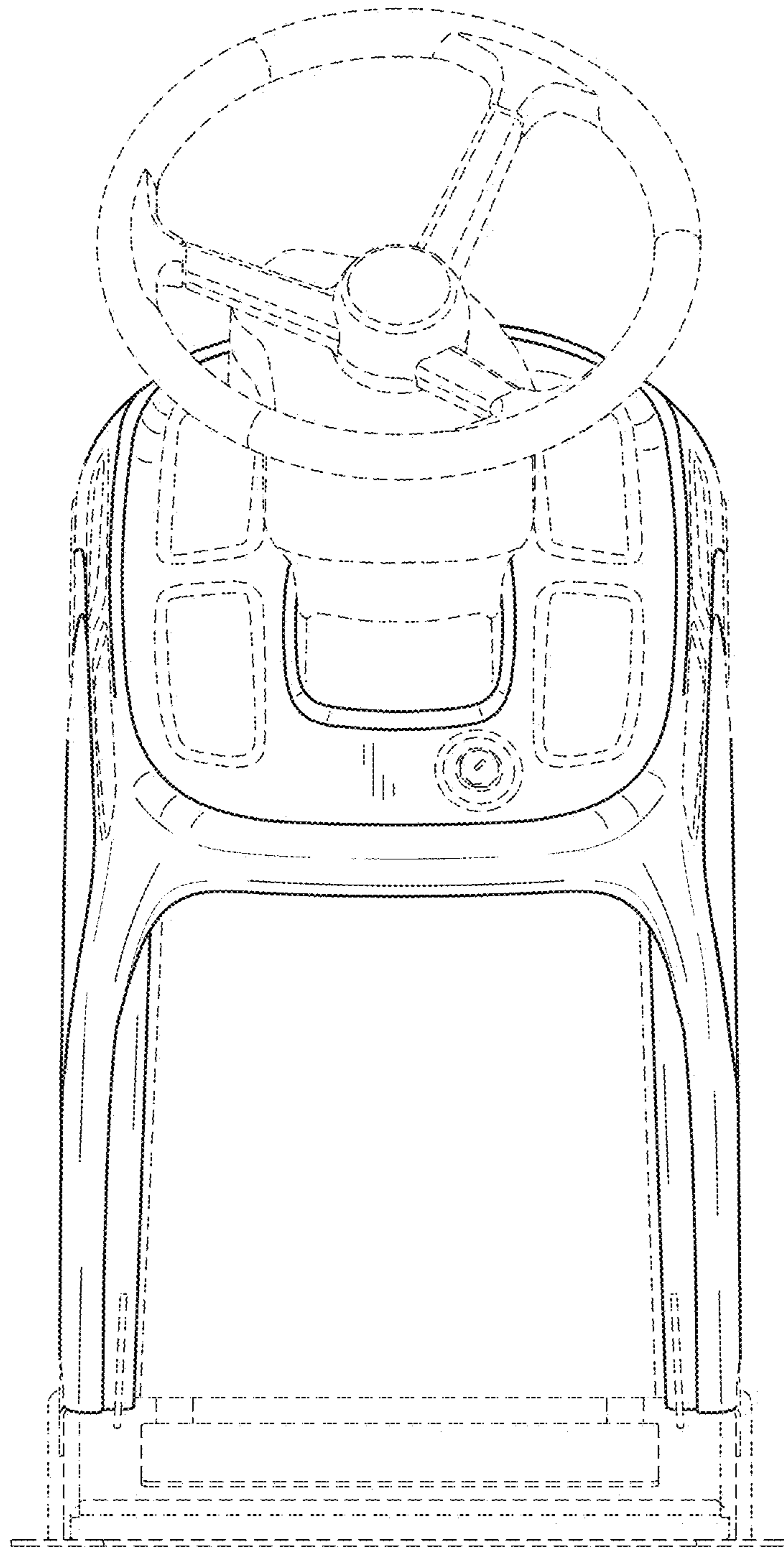


FIG. 2

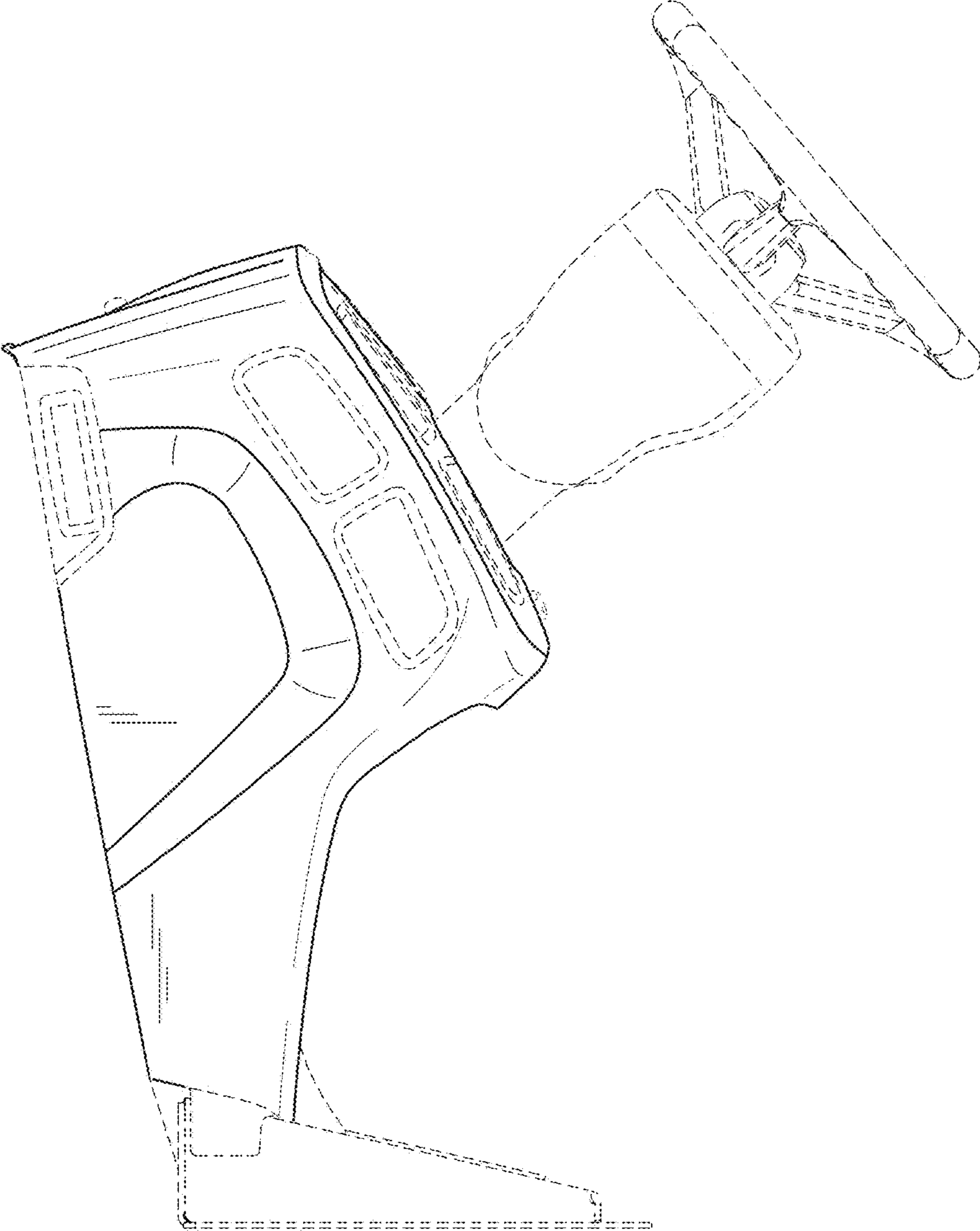


FIG. 3

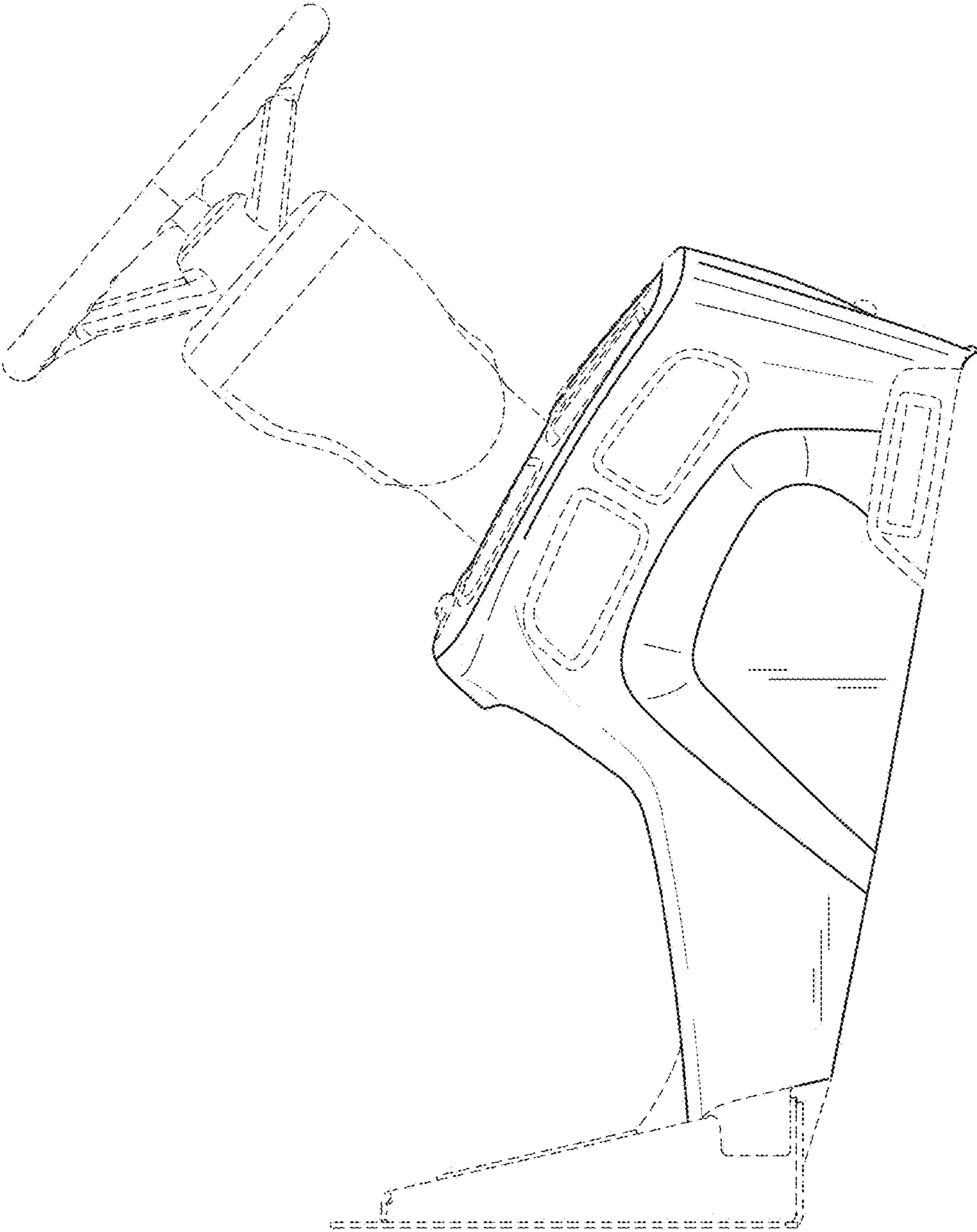


FIG. 4

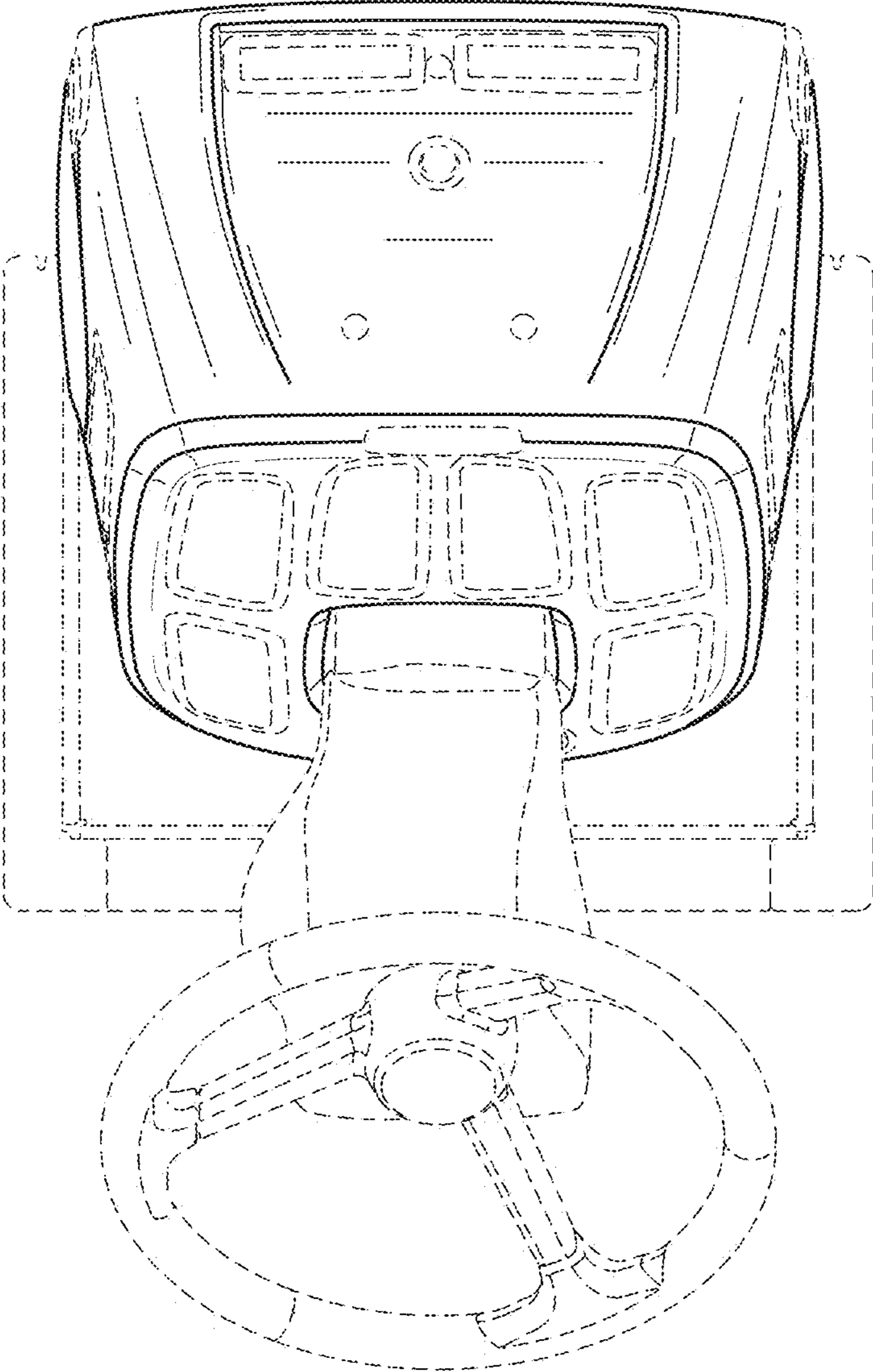


FIG. 5

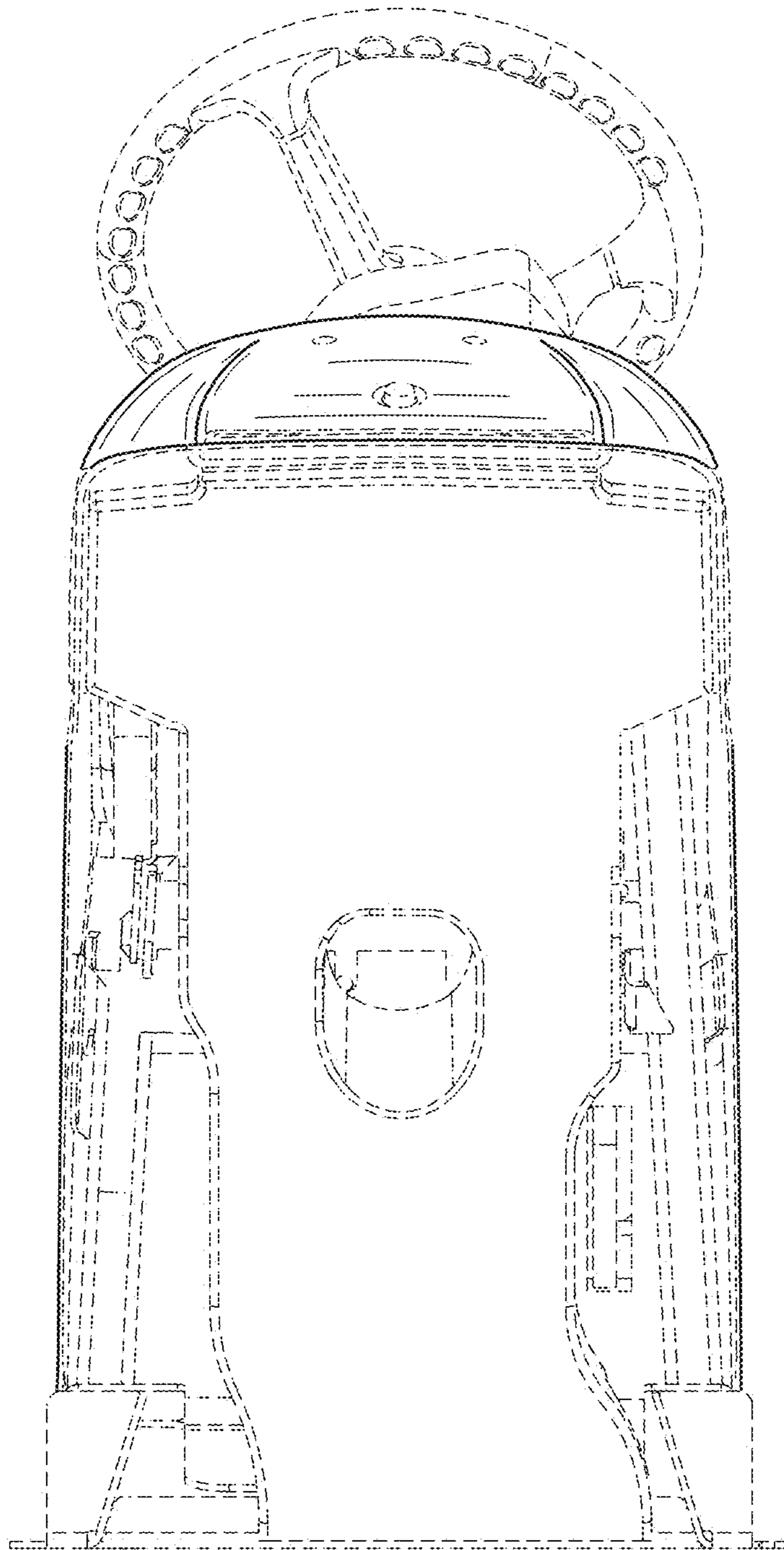


FIG. 6