



US00D833934S

(12) **United States Design Patent** (10) **Patent No.:** **US D833,934 S**
Montgomery et al. (45) **Date of Patent:** **** Nov. 20, 2018**

(54) **CONSOLE FOR A WORK VEHICLE**

(71) Applicant: **CNH Industrial America LLC**, New Holland, PA (US)

(72) Inventors: **Douglas Vern Montgomery**, Downers Grove, IL (US); **Russell Alan Meyer**, Crystal Lake, IL (US); **Eric Michael Jacobsthal**, Elmhurst, IL (US)

(73) Assignee: **CNH Industrial America LLC**, New Holland, PA (US)

(**) Term: **15 Years**

(21) Appl. No.: **29/617,009**

(22) Filed: **Sep. 11, 2017**

(51) **LOC (11) Cl.** **12-16**

(52) **U.S. Cl.**
USPC **D12/192**

(58) **Field of Classification Search**

CPC B60H 1/34; B60H 1/3407; B60H 1/3414;
B60H 1/3421; B60H 1/3428; B60H
1/3435; B60H 1/3442; B60H 1/345;
B60H 1/3457

See application file for complete search history.

(56) **References Cited**

U.S. PATENT DOCUMENTS

D791,761 S * 7/2017 Quilling, II D12/192
D795,145 S * 8/2017 Miyashita D12/192

D801,245 S * 10/2017 Giolito D12/192
D803,120 S * 11/2017 Boas D12/192
D804,465 S * 12/2017 Riggs D14/258
D806,623 S * 1/2018 Kato D12/192
D809,443 S * 2/2018 Walker D12/192
D817,832 S * 5/2018 Maezono D12/192
D819,533 S * 6/2018 Choi D12/192

OTHER PUBLICATIONS

U.S. Appl. No. 29/617,014, filed Sep. 11, 2017, Douglas Vern Montgomery.

* cited by examiner

Primary Examiner — Katrina A Betton

(74) *Attorney, Agent, or Firm* — Rickard K. DeMille;
Rebecca L. Henkel

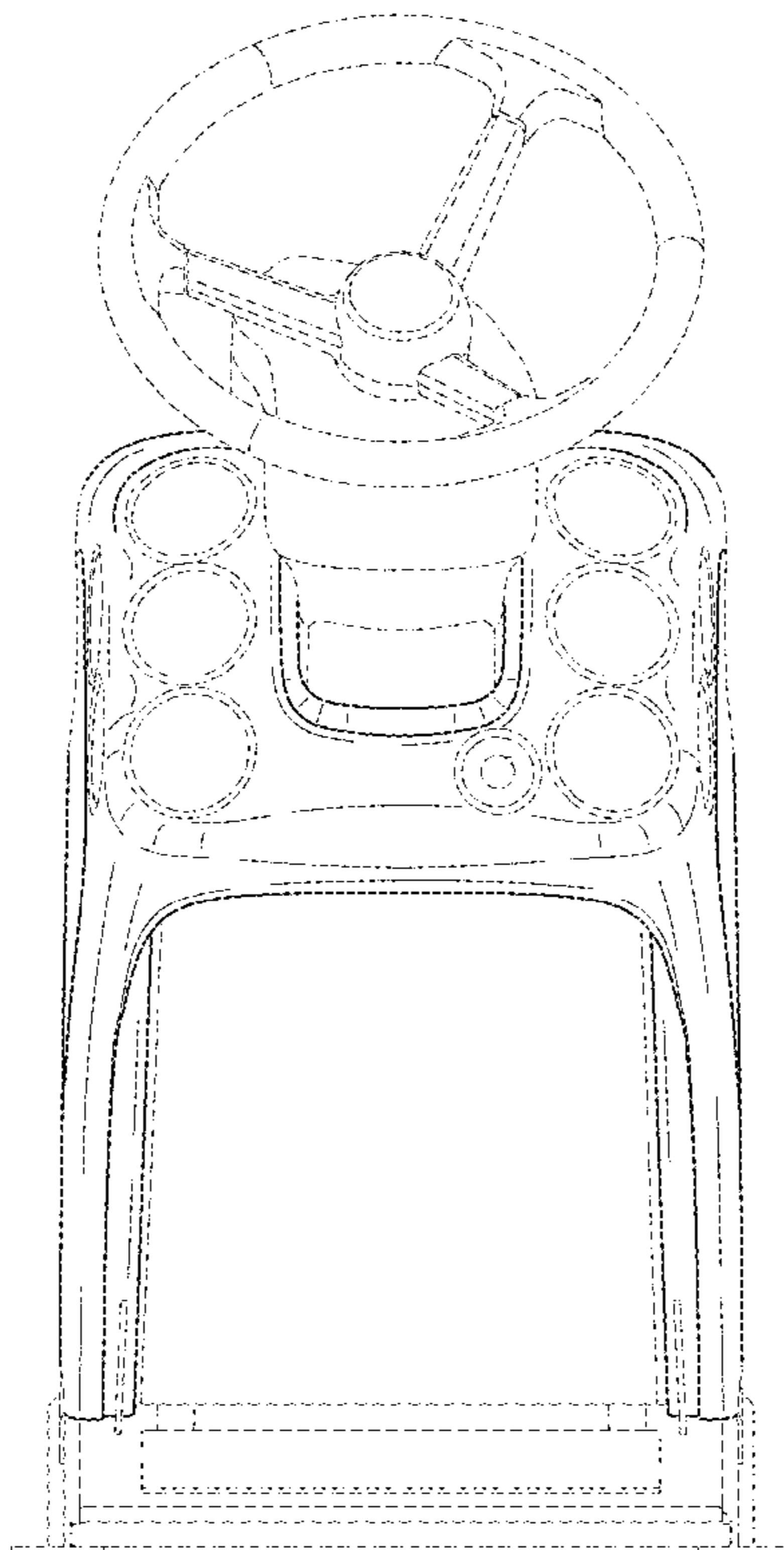
(57) **CLAIM**

The ornamental design for a console for a work vehicle, as shown and described.

DESCRIPTION

FIG. 1 is a perspective view of a console for a work vehicle; FIG. 2 is a front view of the console; FIG. 3 is a right side view of the console; FIG. 4 is a left side view of the console; FIG. 5 is a top view of the console; and, FIG. 6 is a back view of the console. Phantom lines, where utilized, are for illustrative purposes only and form no part of the claimed design.

1 Claim, 6 Drawing Sheets



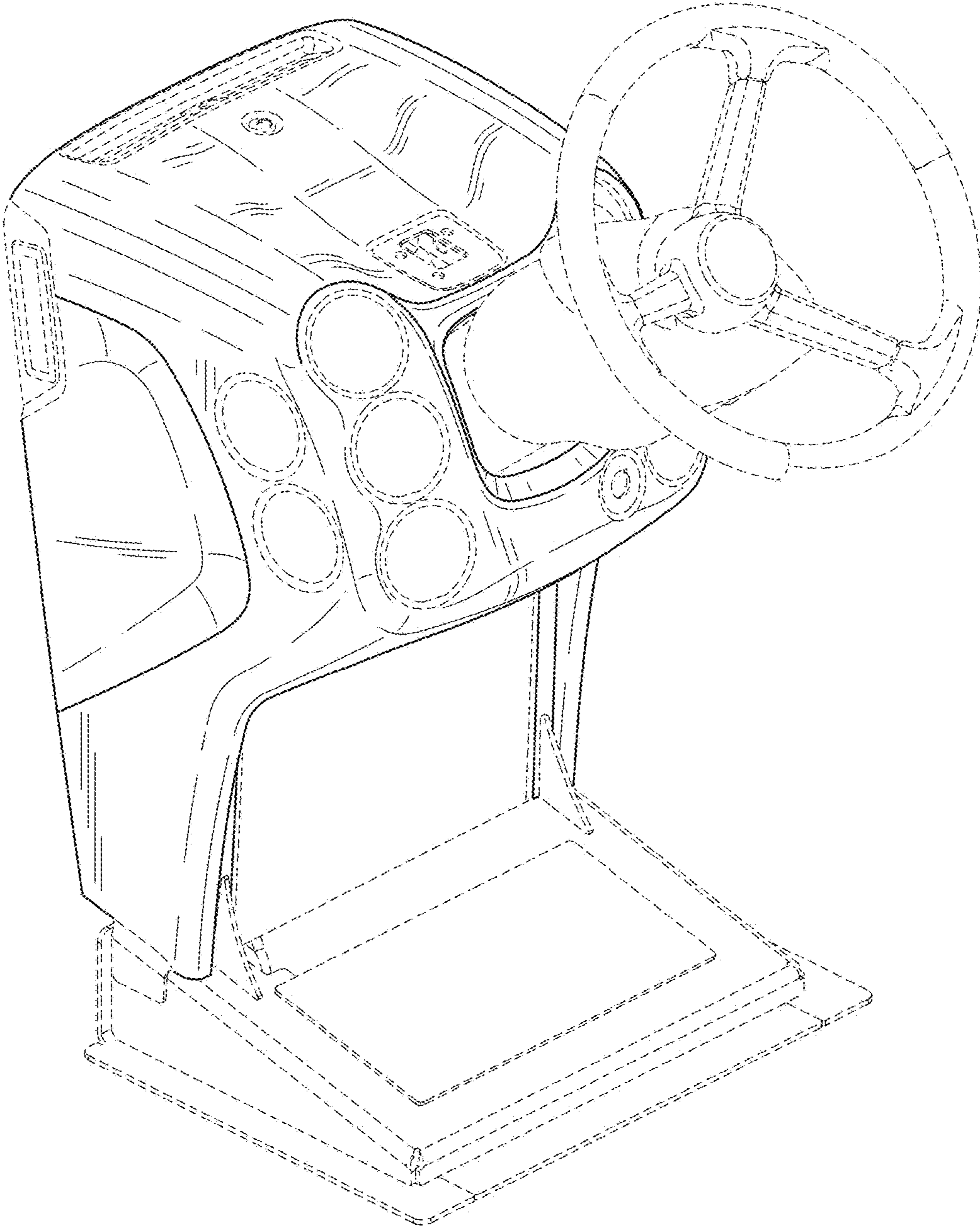


FIG. 1

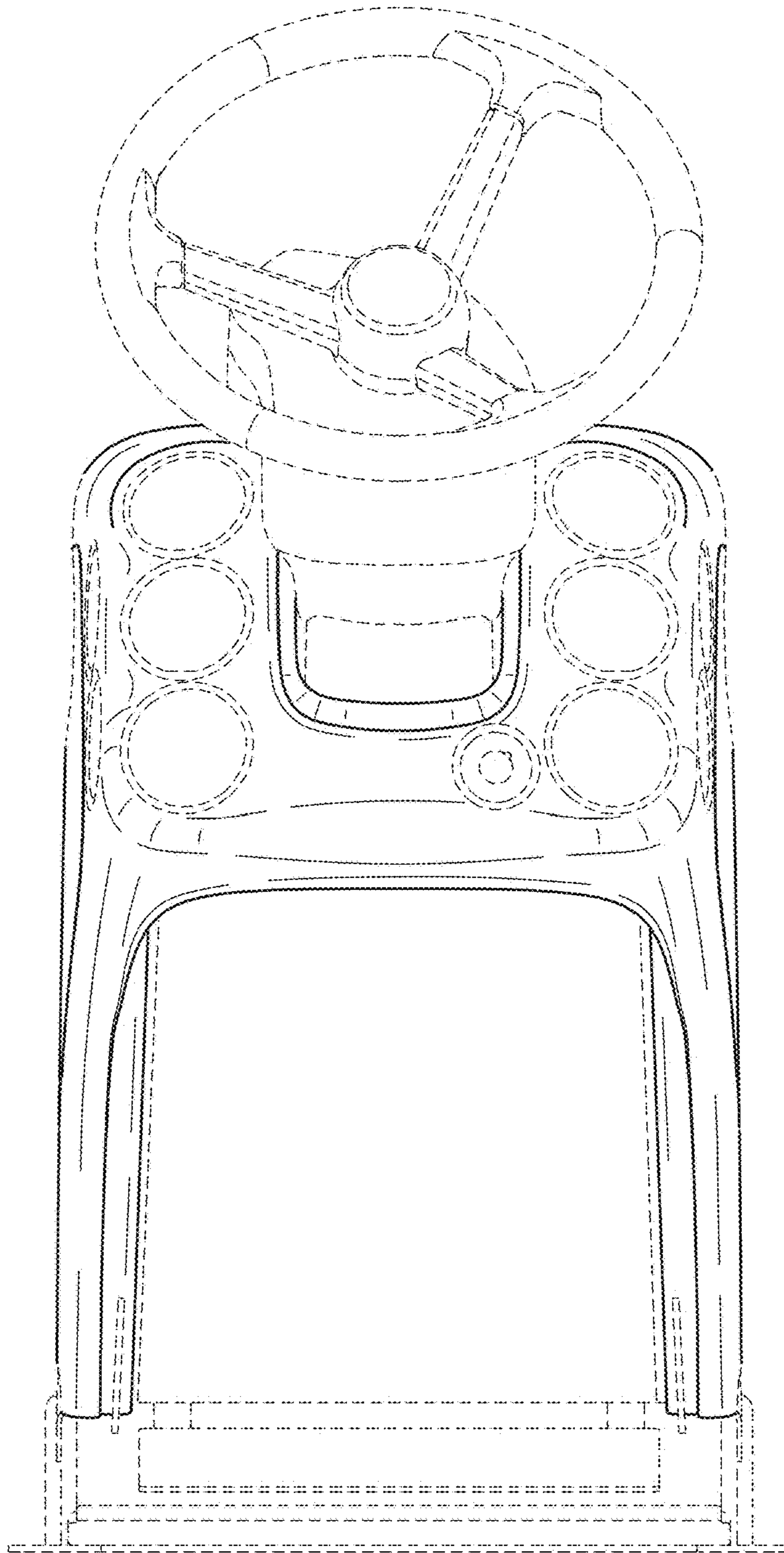


FIG. 2

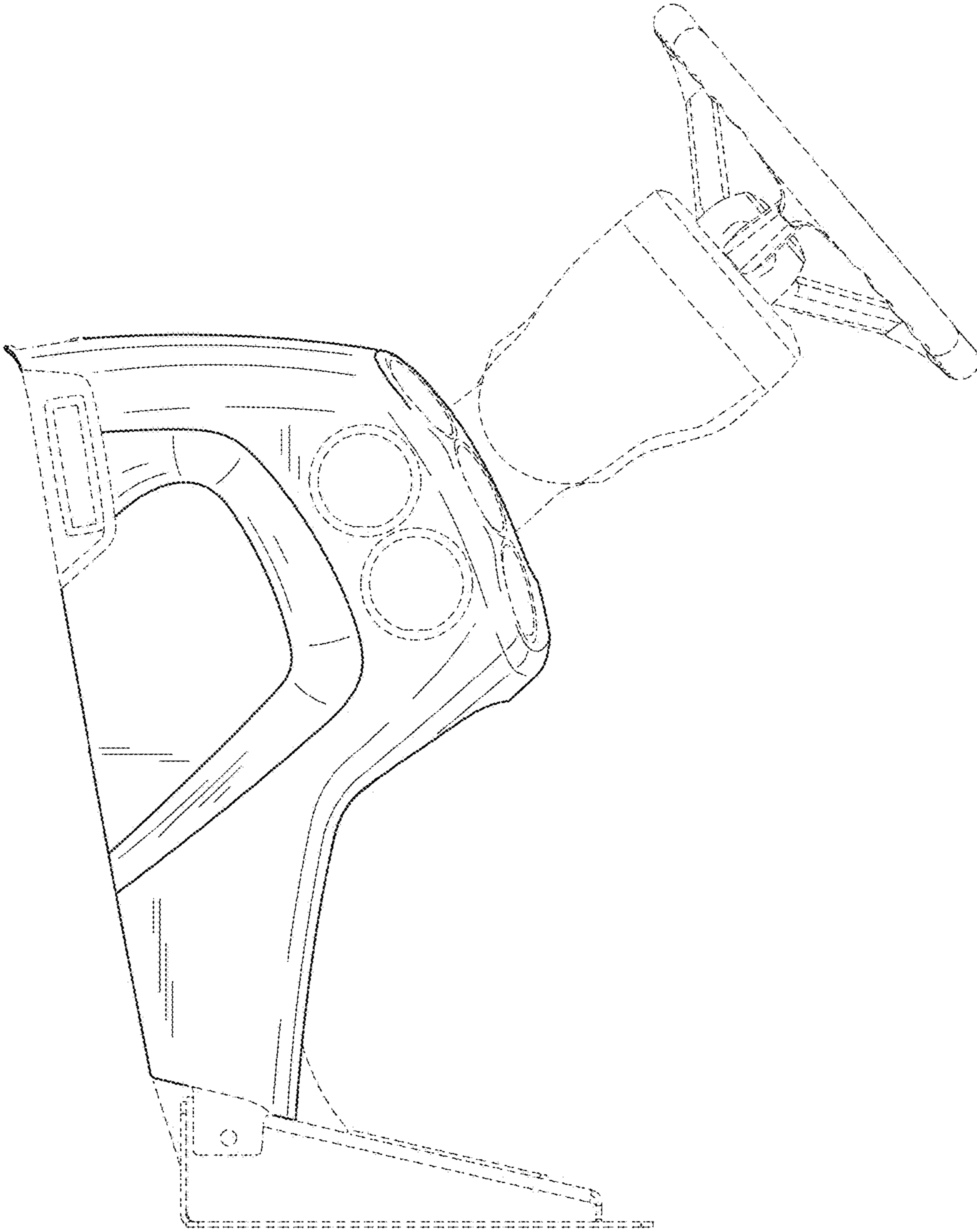


FIG. 3

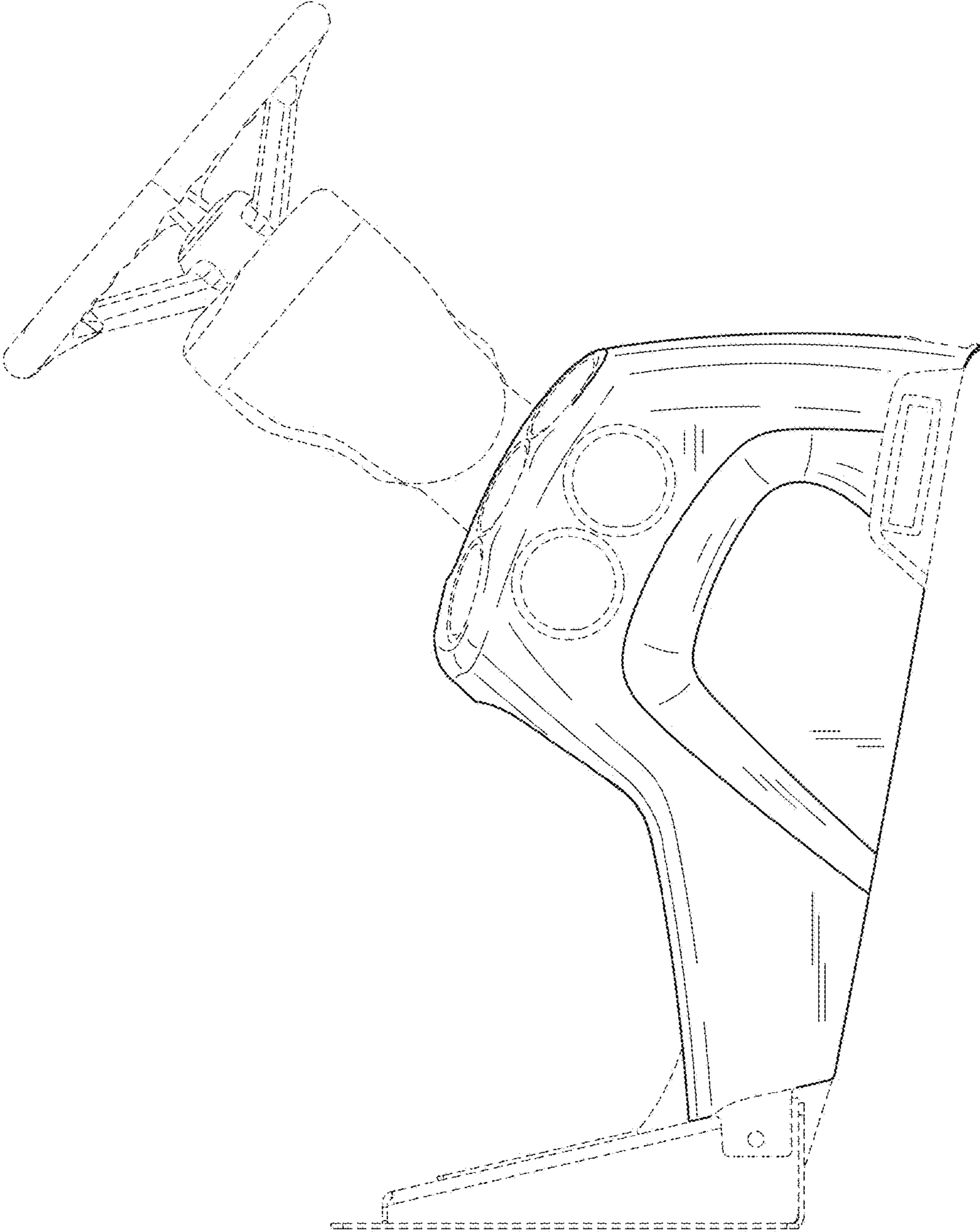


FIG. 4

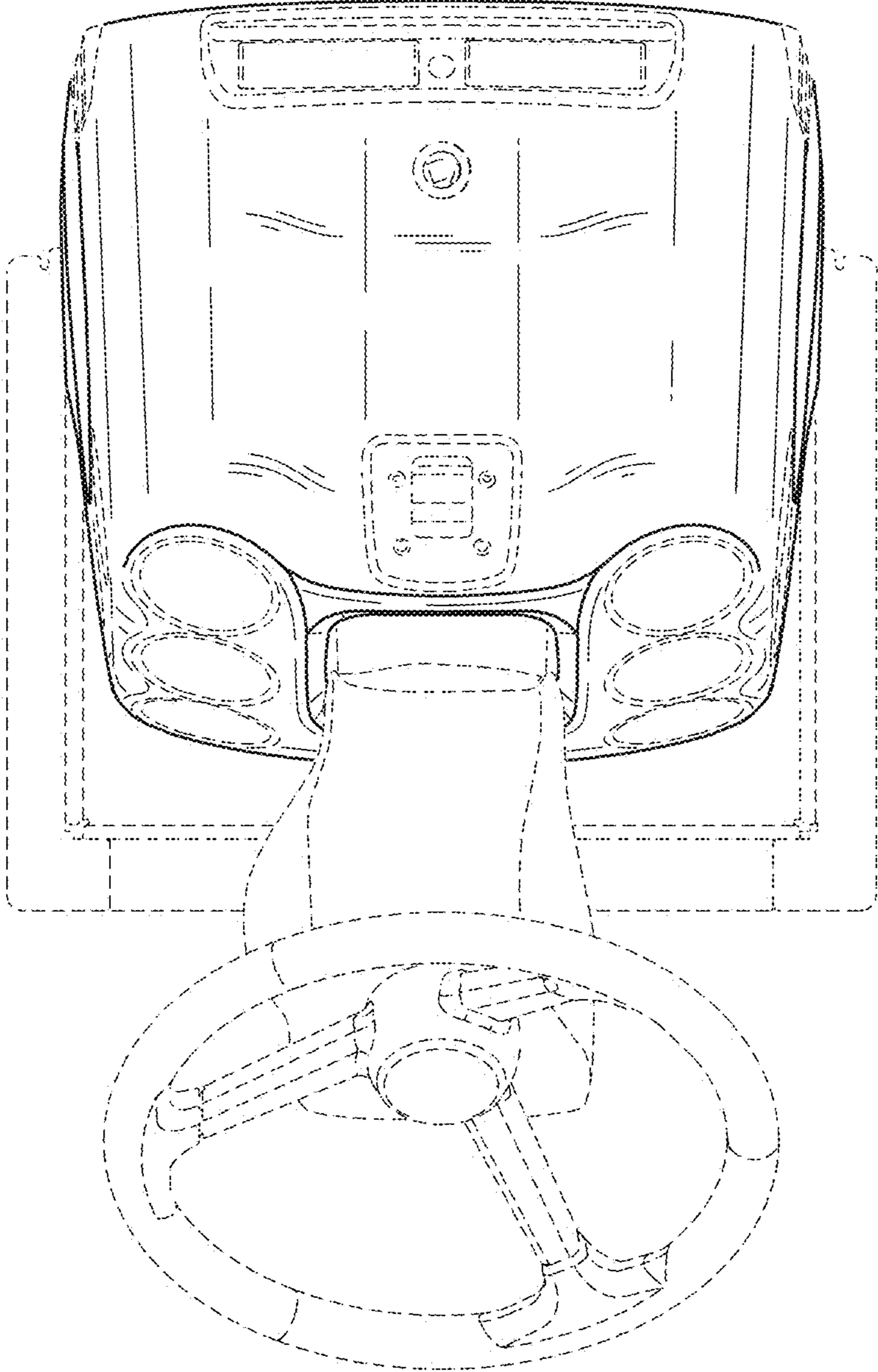


FIG. 5

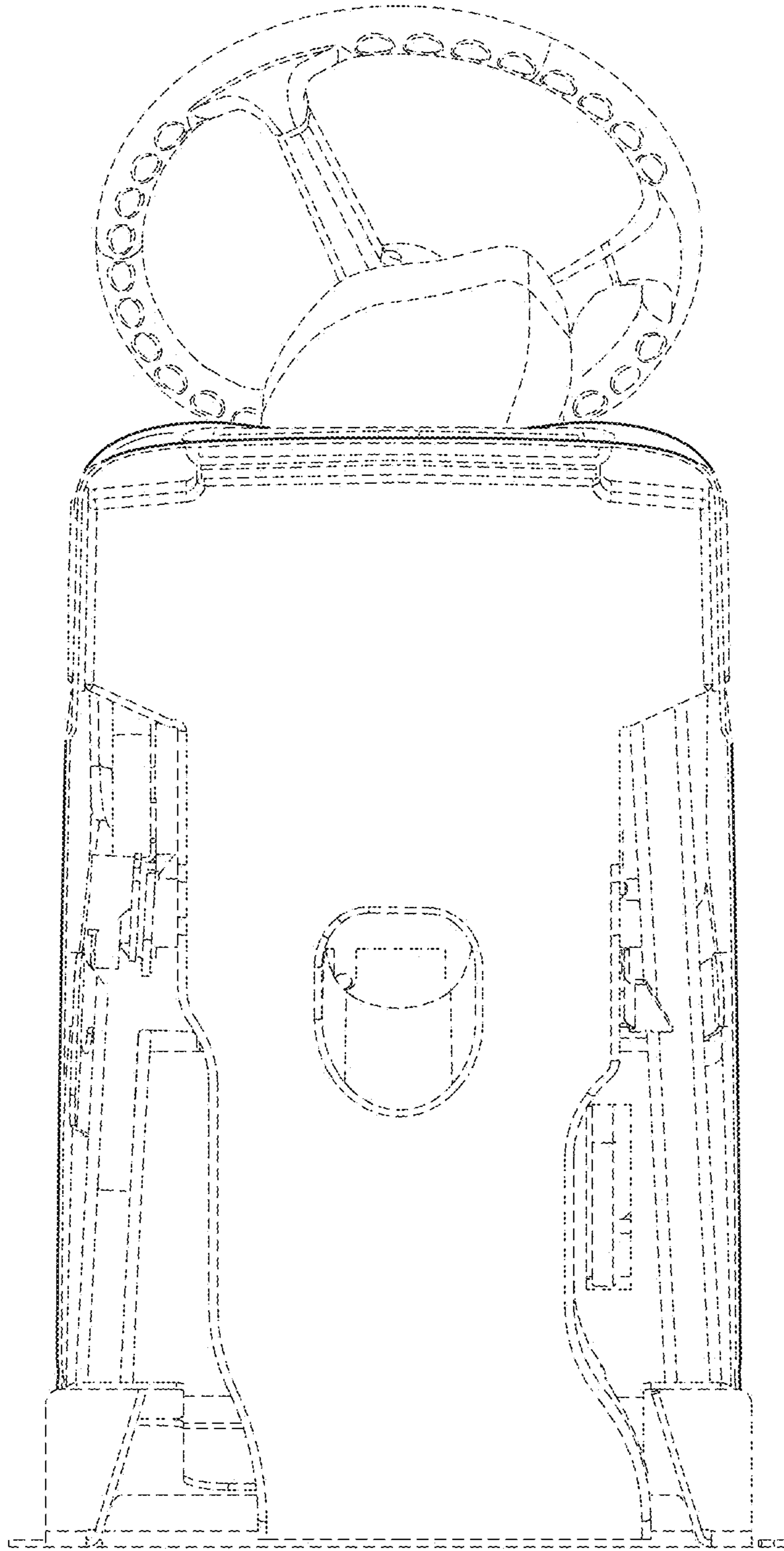


FIG. 6