



US00D833930S

(12) **United States Design Patent**  
**Curtin**

(10) **Patent No.:** **US D833,930 S**

(45) **Date of Patent:** **\*\* Nov. 20, 2018**

(54) **BRAKE INSERT**  
(71) Applicant: **DEKA Products Limited Partnership,**  
Manchester, NH (US)  
(72) Inventor: **Paul R. Curtin,** Londonderry, NH (US)  
(73) Assignee: **DEKA Products Limited Partnership,**  
Manchester, NH (US)  
(\*\*) Term: **15 Years**

8,572,822 B2 \* 11/2013 Hasegawa ..... A44B 17/0023  
24/108  
9,187,071 B2 \* 11/2015 Vinck ..... F16D 55/226  
9,309,692 B2 \* 4/2016 Westwinkel ..... E05B 9/086  
9,400,044 B2 \* 7/2016 Wadhva ..... F16H 48/08  
9,455,104 B1 \* 9/2016 Leusenkamp .... H01H 33/66261  
D787,996 S \* 5/2017 Rode ..... D12/180  
2009/0045025 A1 \* 2/2009 Bassett ..... F16F 15/12313  
192/70.17  
2013/0146409 A1 \* 6/2013 Boyle ..... F16D 55/227  
188/361  
2016/0101685 A1 \* 4/2016 Darpino ..... B60K 15/0406  
220/254.2

(21) Appl. No.: **29/610,809**

\* cited by examiner

(22) Filed: **Jul. 15, 2017**

*Primary Examiner* — Karen S Acker

(51) **LOC (11) Cl.** ..... **12-16**

*Assistant Examiner* — Jerry Shiuan-Hua Hsu

(52) **U.S. Cl.**  
USPC ..... **D12/180**

(74) *Attorney, Agent, or Firm* — Kathleen Chapman

(58) **Field of Classification Search**  
USPC ..... D12/123, 179, 180  
CPC . B60K 15/0406; F16D 55/227; F16D 55/226;  
F16F 15/12313; H01H 33/66261; F16H  
48/08; E05B 9/086; A44B 17/0023; F16B  
2/241; C23C 14/0641

(57) **CLAIM**

The ornamental design for a brake insert, as shown and described.

See application file for complete search history.

**DESCRIPTION**

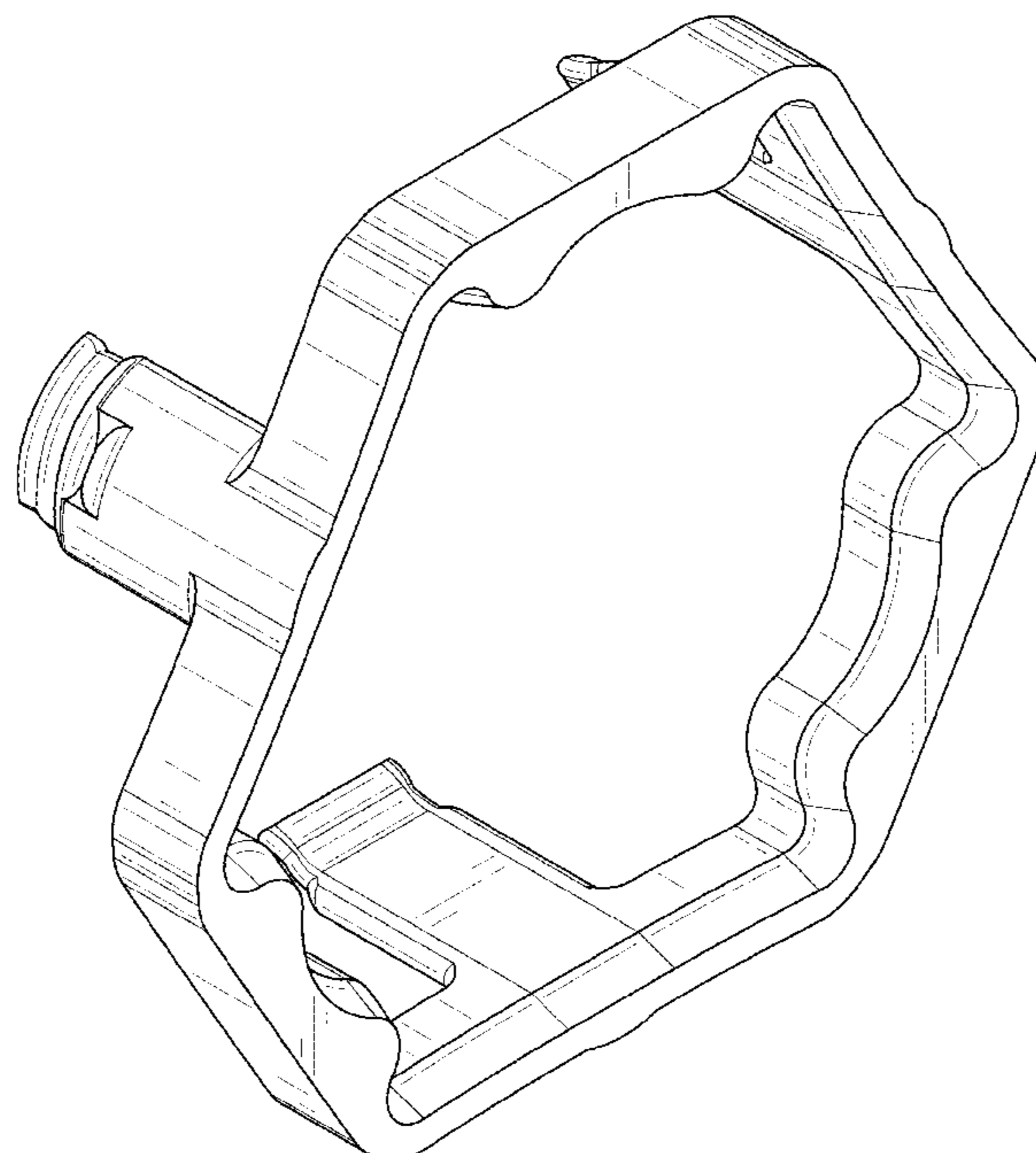
(56) **References Cited**

FIG. 1 is a front, top, right side perspective view of the brake insert, showing our new design;  
FIG. 2 is a top plan view thereof;  
FIG. 3 is a bottom plan view thereof; and  
FIG. 4 is a right side elevational view thereof;  
FIG. 5 is a left side elevational view thereof;  
FIG. 6 is a rear side elevational view thereof; and,  
FIG. 7 is a front side elevational view thereof.

U.S. PATENT DOCUMENTS

5,123,972 A \* 6/1992 Ostrander ..... C23C 14/0641  
148/529  
6,446,320 B2 \* 9/2002 Kilgore ..... F16B 2/241  
29/434  
D619,945 S \* 7/2010 Sadanowicz ..... D12/180  
8,269,130 B2 \* 9/2012 Mangan ..... H01H 33/66261  
218/120

**1 Claim, 7 Drawing Sheets**



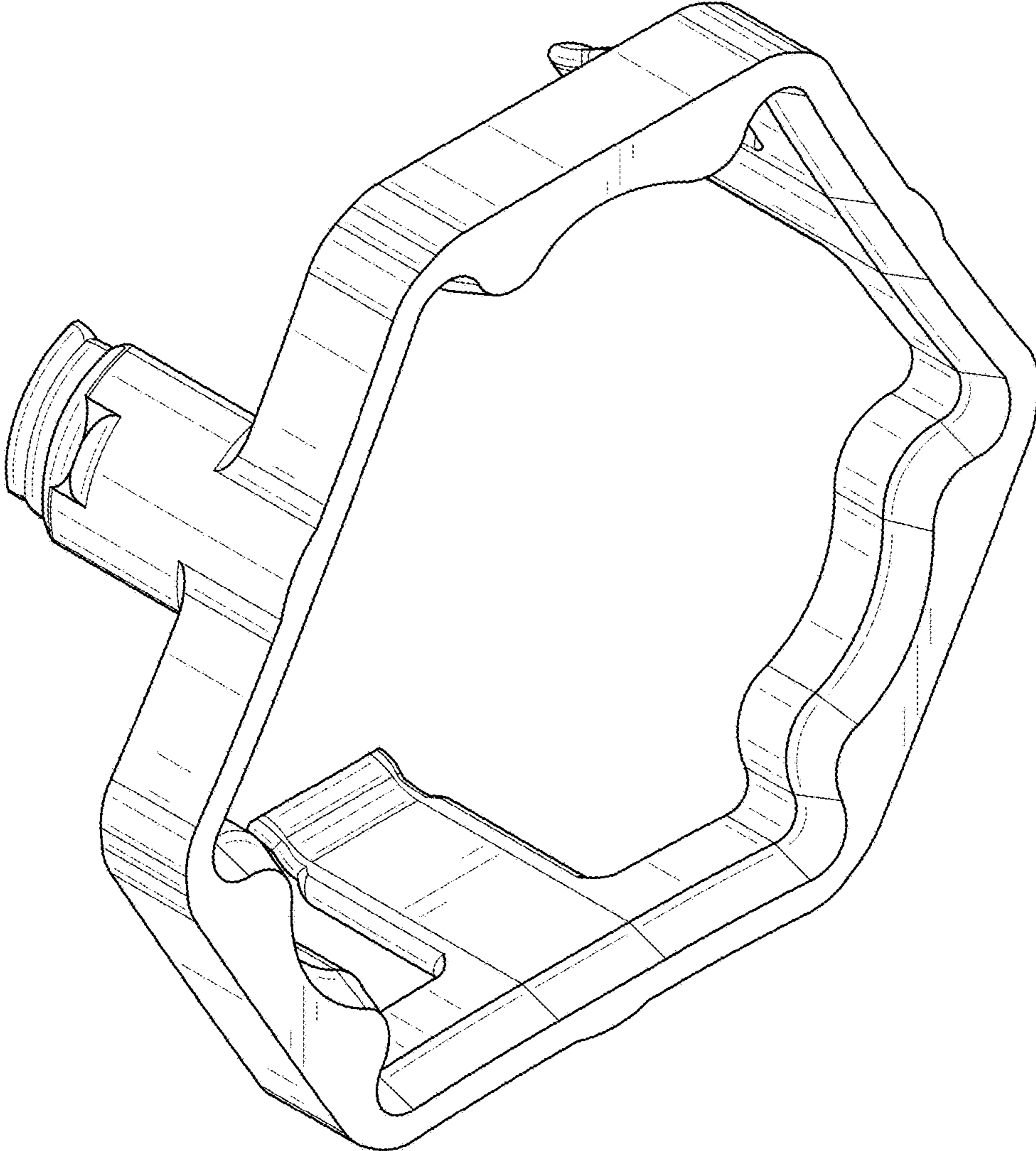


FIG. 1

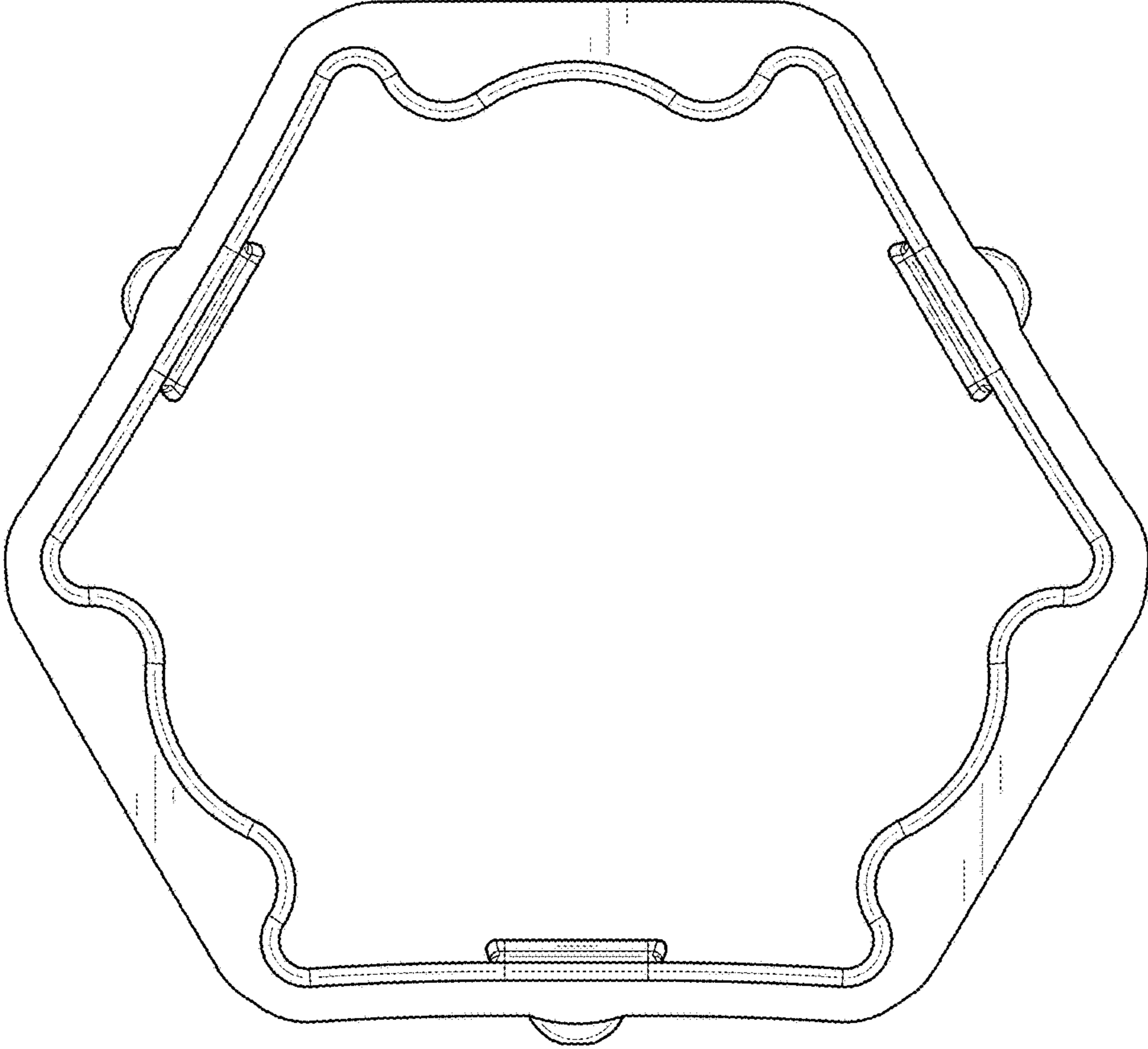


FIG. 2

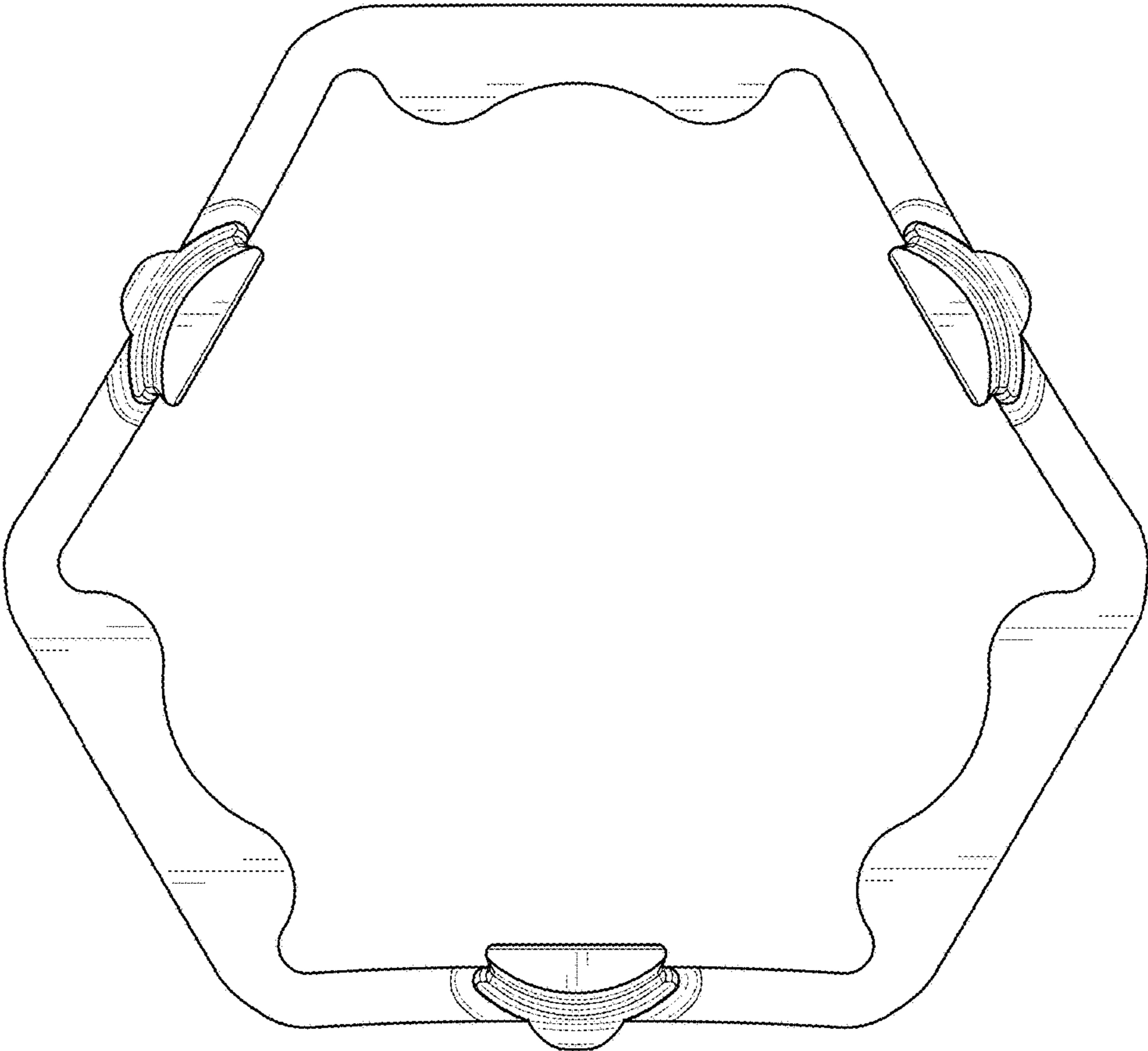


FIG. 3

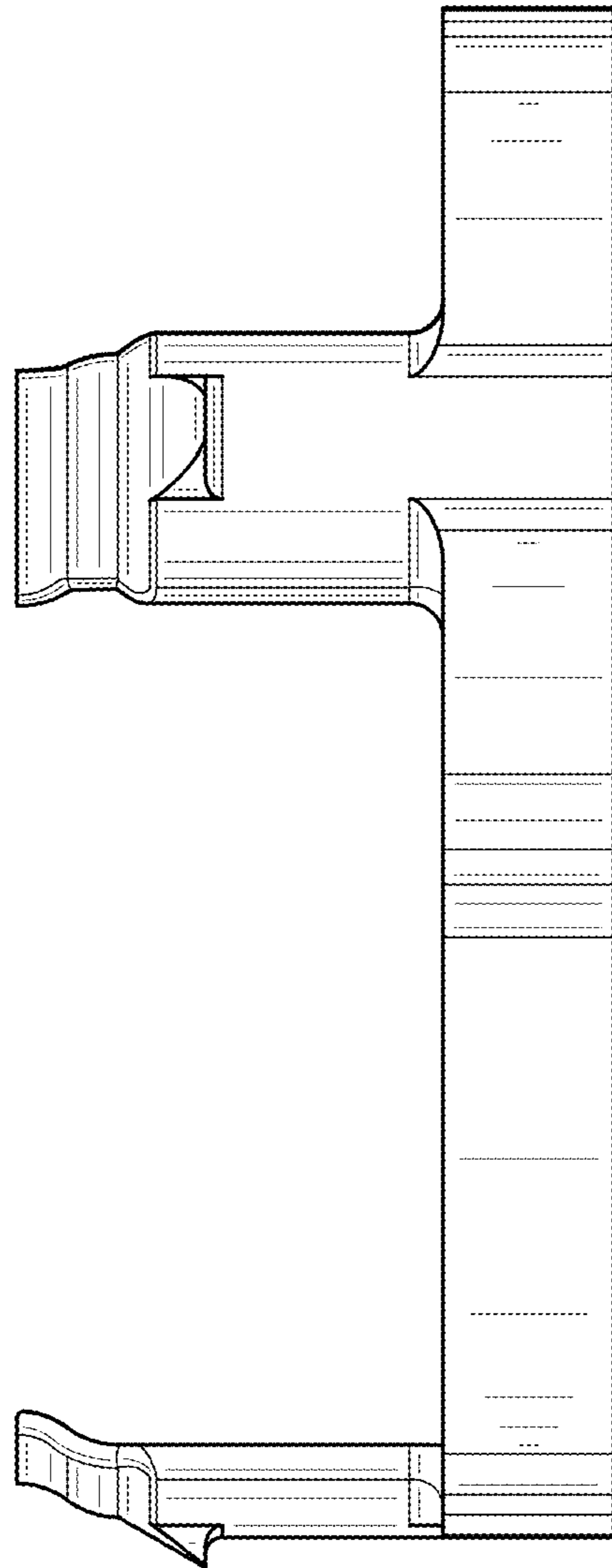


FIG. 4

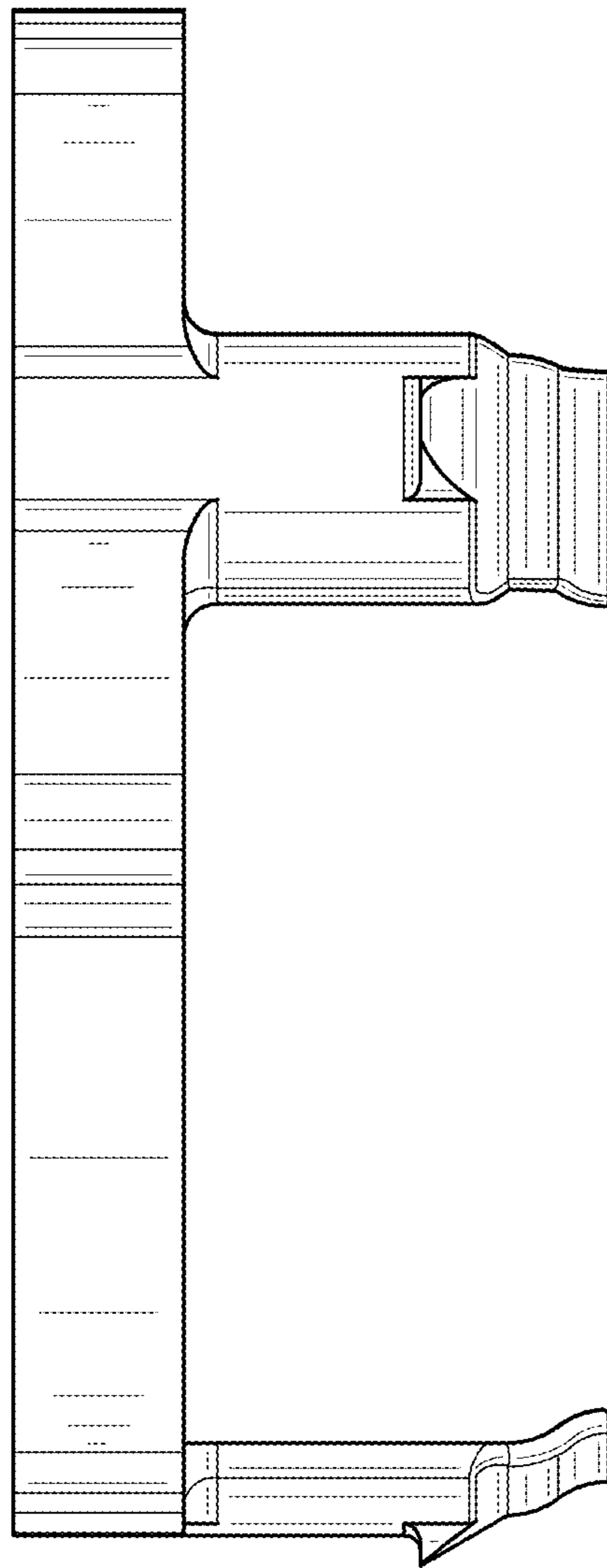


FIG. 5

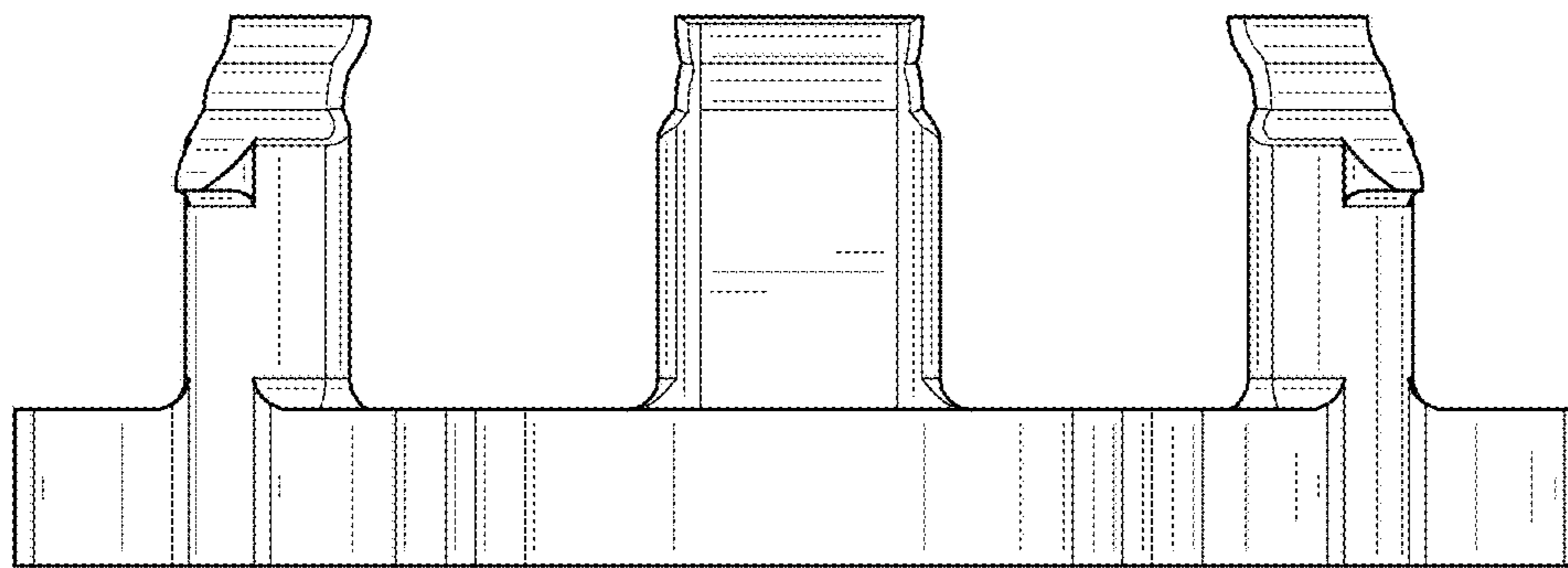


FIG. 6

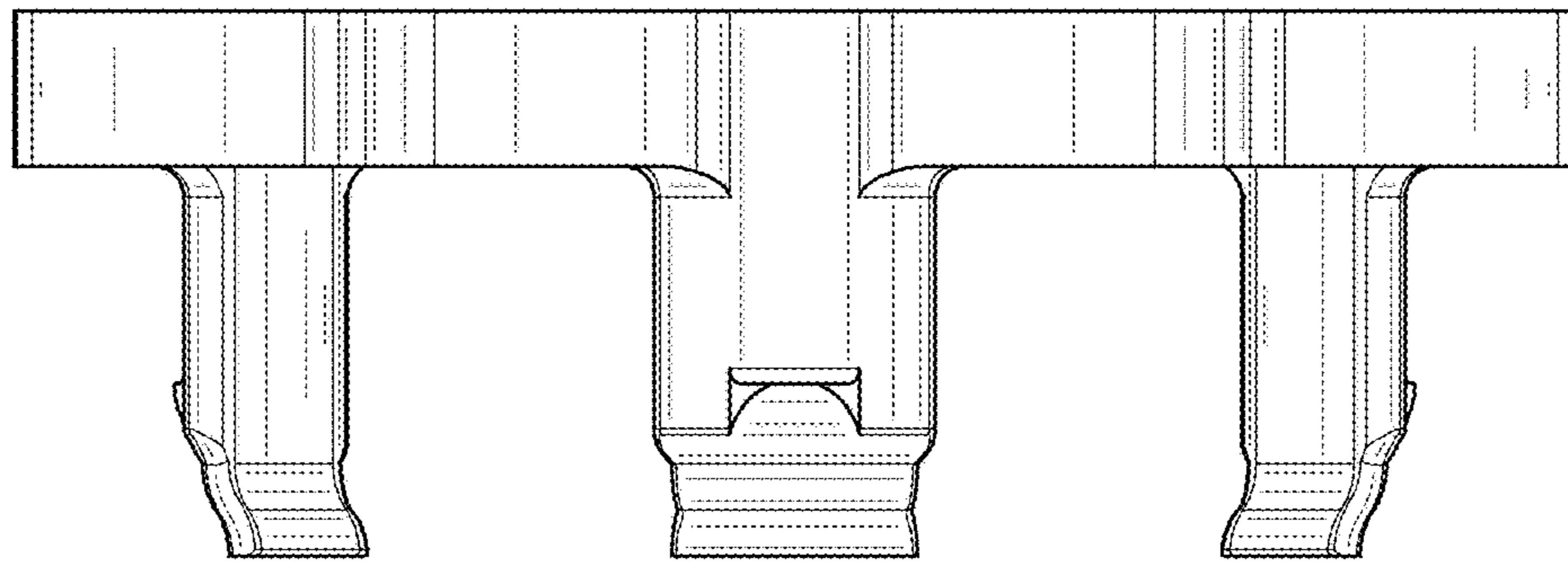


FIG. 7