



US00D833928S

(12) **United States Design Patent** (10) **Patent No.:** **US D833,928 S**
Anderson et al. (45) **Date of Patent:** **** Nov. 20, 2018**

(54) **BUMPER COMPONENT**
(71) Applicant: **Volvo Lastvagnar AB**, Göteborg (SE)
(72) Inventors: **Ian Anderson**, Greensboro, NC (US);
Jeff Cotner, Greensboro, NC (US)
(73) Assignee: **VOLVO LASTVAGNAR AB**,
Gothenburg (SE)
(**) Term: **15 Years**
(21) Appl. No.: **29/600,111**
(22) Filed: **Apr. 10, 2017**
(51) **LOC (11) Cl.** **12-16**
(52) **U.S. Cl.**
USPC **D12/169**
(58) **Field of Classification Search**
USPC D12/169, 86, 90, 91, 92, 163, 164, 171,
D12/172, 196, 216
CPC B60R 19/02; B60R 2019/18876; B60R
19/48; B60R 19/52; B60R 19/56
See application file for complete search history.

D697,845 S * 1/2014 Conway D12/184
D697,846 S * 1/2014 Conway B60R 19/18
D12/184
D702,606 S * 4/2014 Conway D12/184
D775,561 S * 1/2017 Platto D12/169
D786,158 S * 5/2017 Ito D12/184
D786,753 S * 5/2017 Conway D12/184
D786,754 S * 5/2017 Conway D12/184
D791,657 S * 7/2017 Ito D12/184
D805,974 S * 12/2017 Buck D12/181
2013/0062894 A1 * 3/2013 Critchley B60R 19/18
293/149

OTHER PUBLICATIONS

Images of Volvo VNL Truck, released 2002, 2 pages.

* cited by examiner

Primary Examiner — Robin V Webster

Assistant Examiner — Rachel A Voorhies

(74) *Attorney, Agent, or Firm* — Tucker Ellis LLP

(57) **CLAIM**

The ornamental design for a bumper component, as shown and described.

DESCRIPTION

FIG. 1 is a top left perspective view of a bumper component showing our new design.

FIG. 2 is a front view thereof.

FIG. 3 is a rear view thereof.

FIG. 4 is a right side view thereof.

FIG. 5 is a left side view thereof.

FIG. 6 is a top view thereof; and,

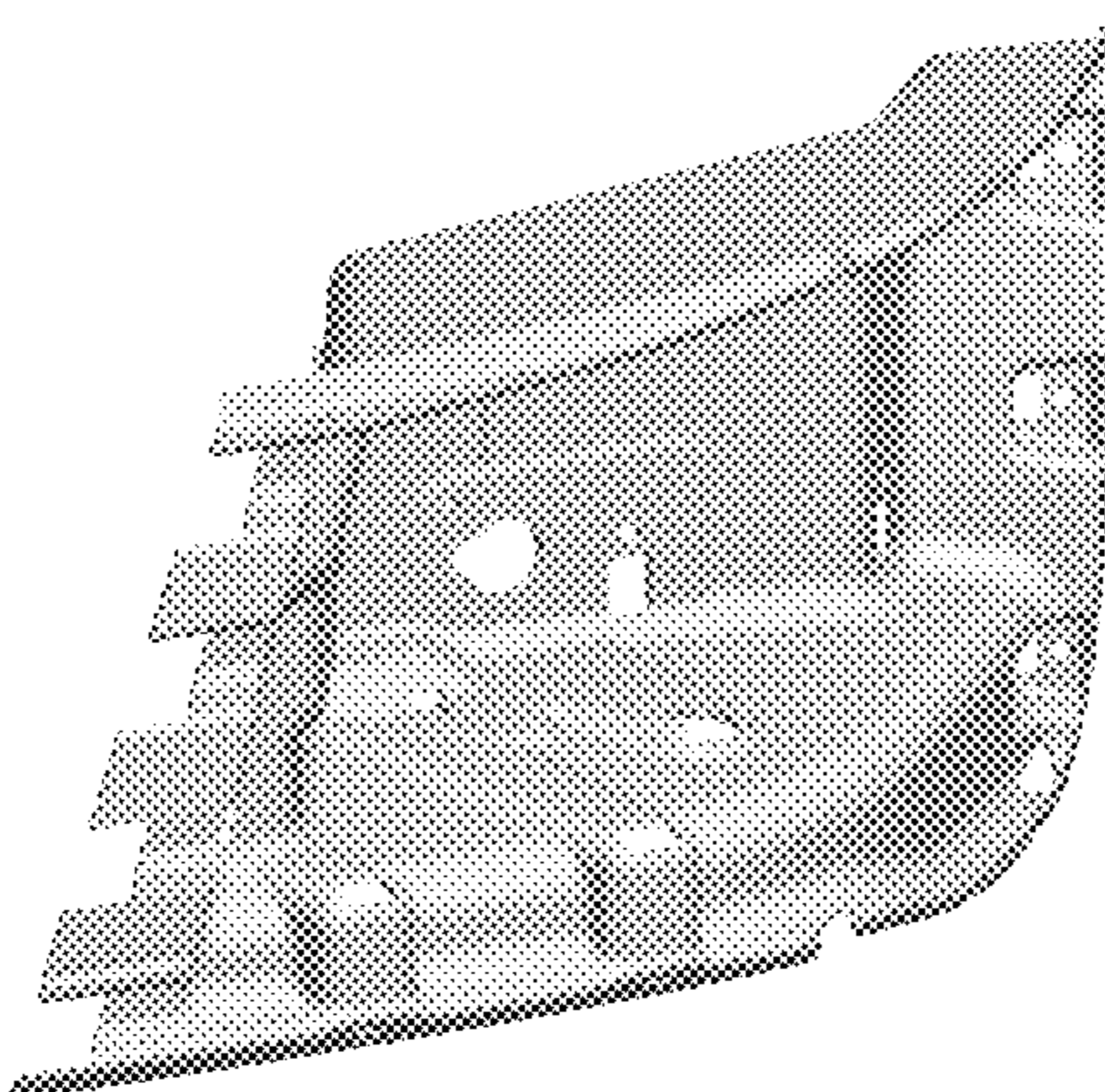
FIG. 7 is a bottom view thereof.

1 Claim, 4 Drawing Sheets

(56) **References Cited**

U.S. PATENT DOCUMENTS

D443,853 S * 6/2001 Barraclough D12/196
D524,204 S * 7/2006 Beigel D12/184
D540,727 S * 4/2007 Elliott D12/196
D582,825 S * 12/2008 Logan D12/184
D615,472 S * 5/2010 Maher D12/196
D621,756 S * 8/2010 Angelo D12/184
D644,970 S * 9/2011 Messale D12/169
D669,831 S * 10/2012 Saracoglu D12/196
D680,929 S * 4/2013 Hanson D12/185
D697,844 S * 1/2014 Conway D12/184



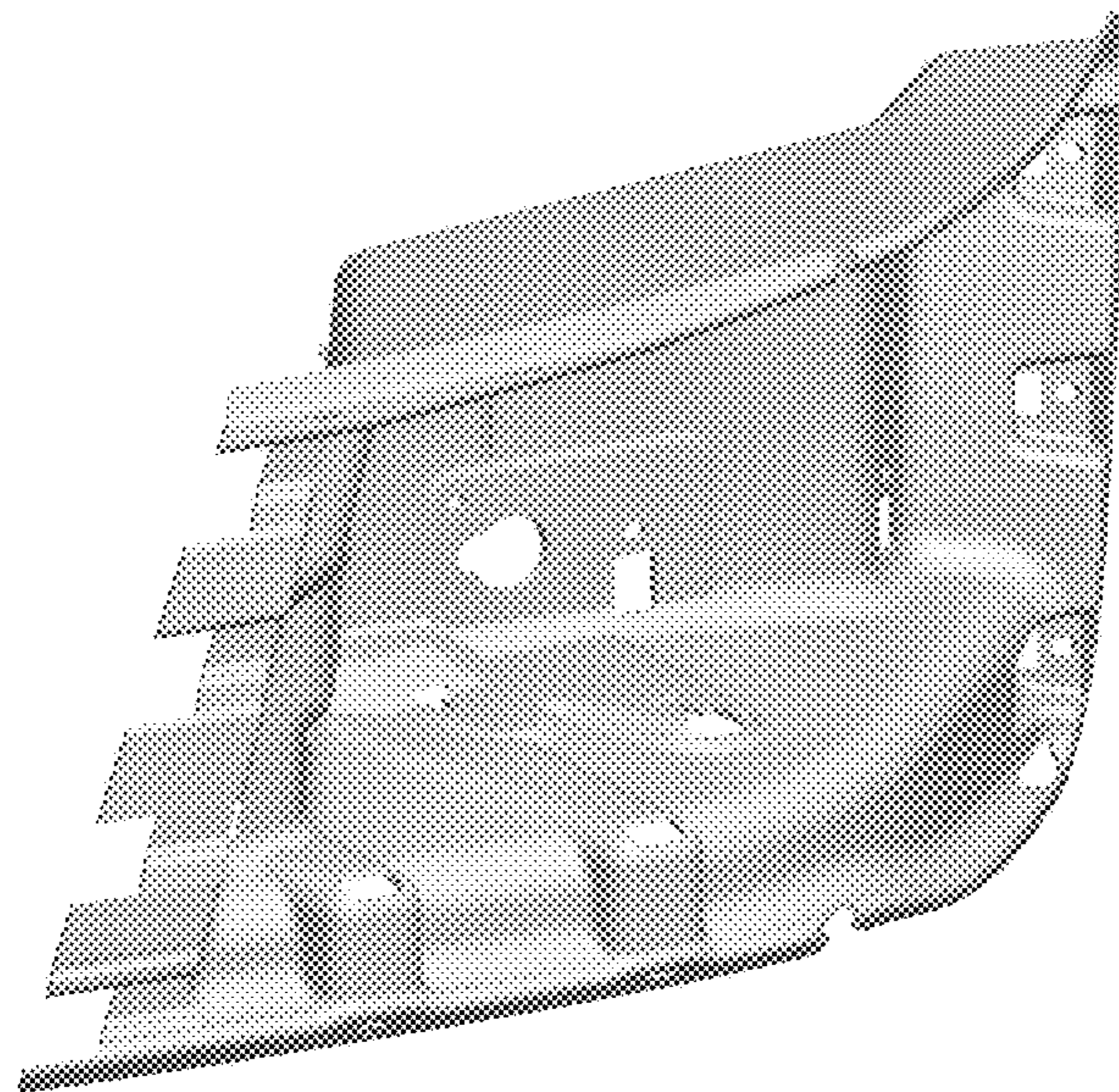


FIG. 1

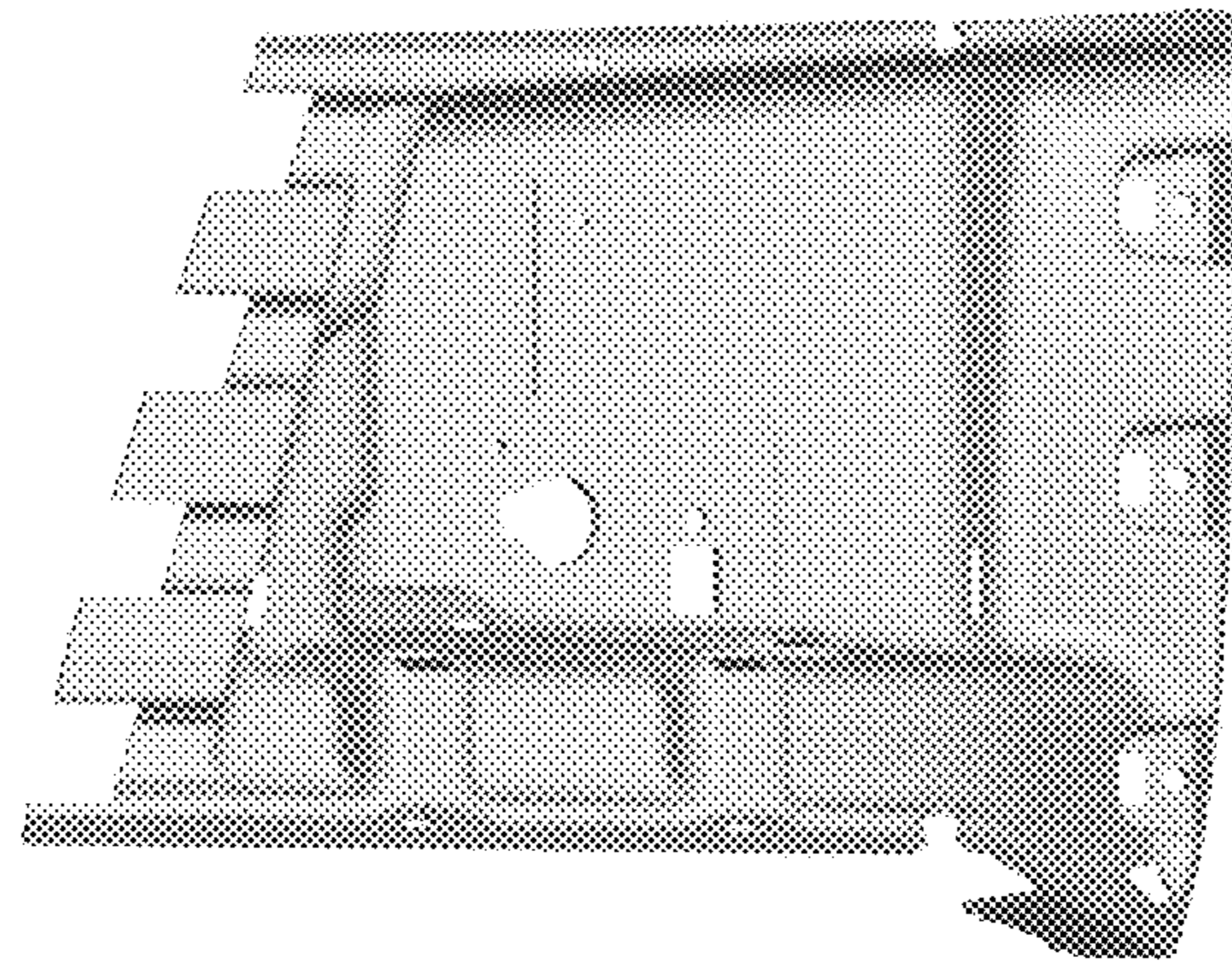


FIG. 2

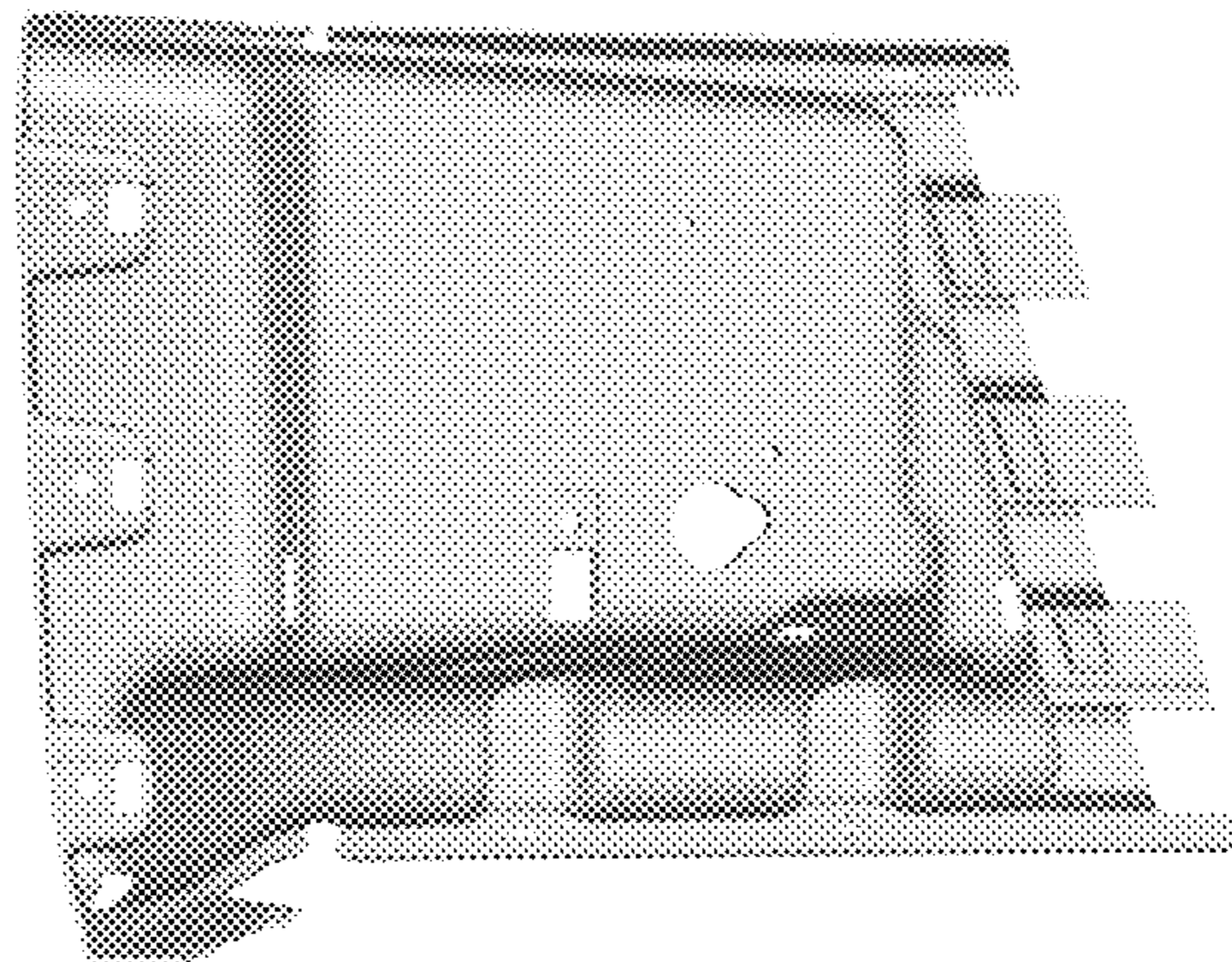


FIG. 3

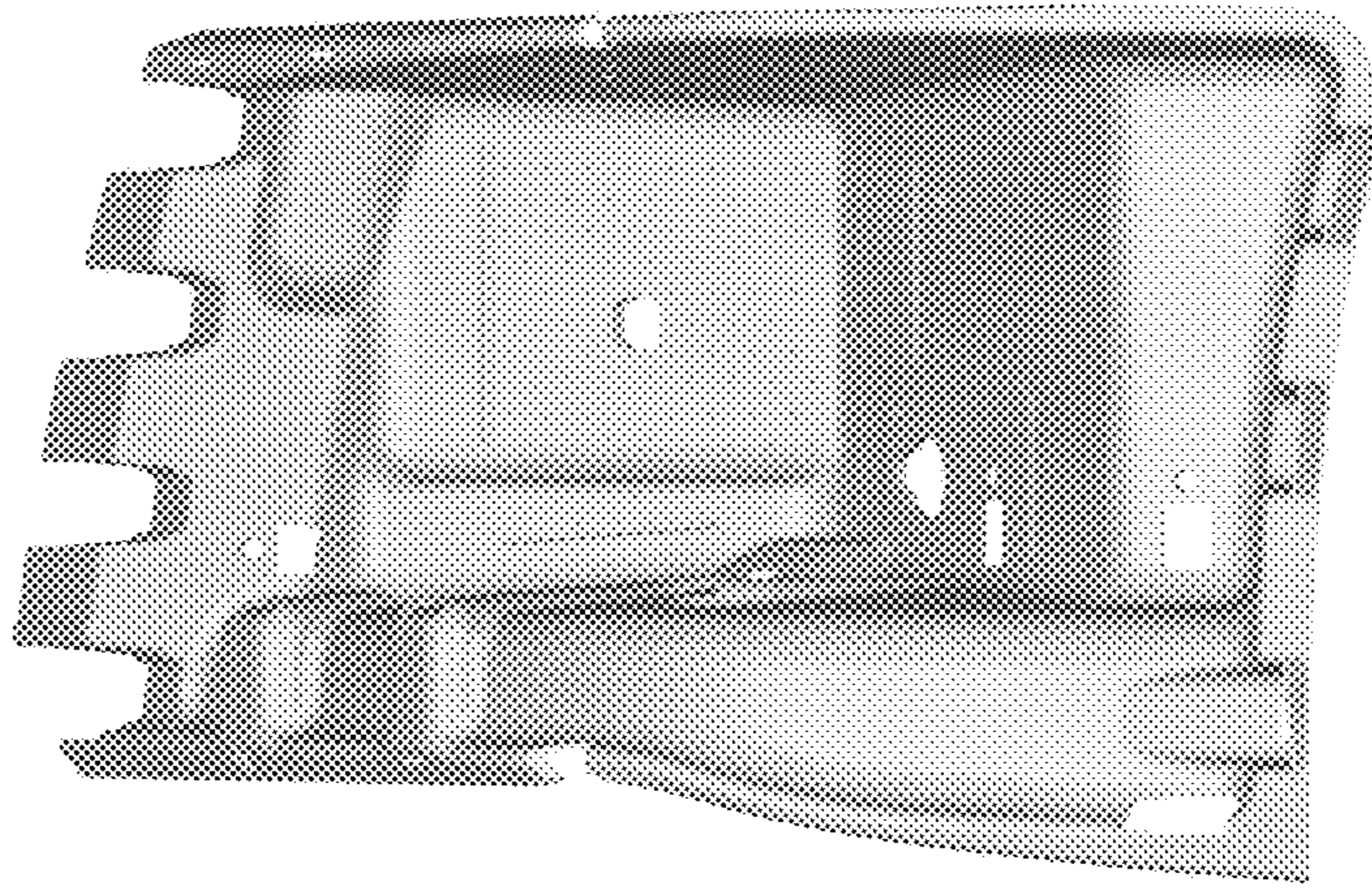


FIG. 4

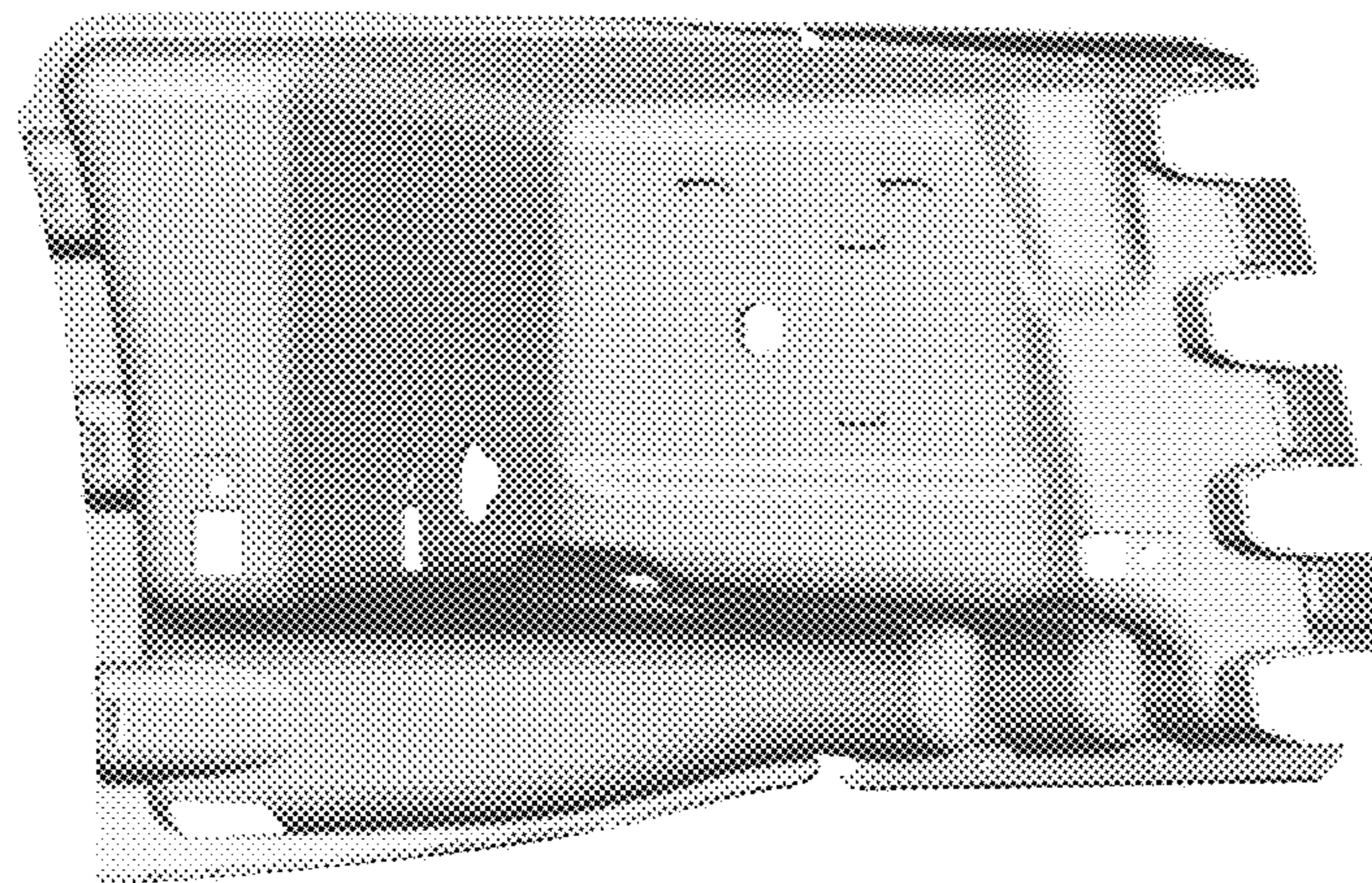


FIG. 5

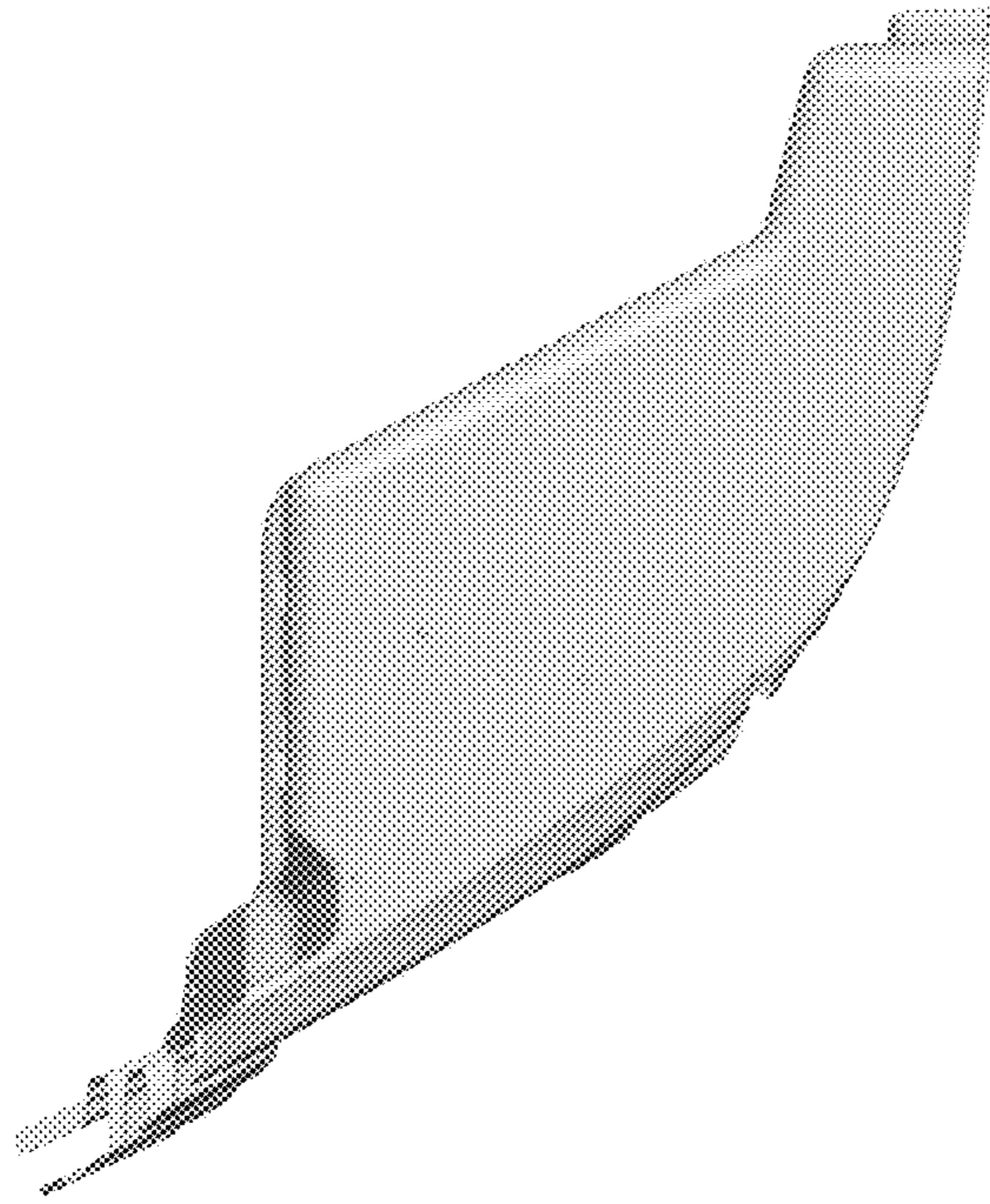


FIG. 6

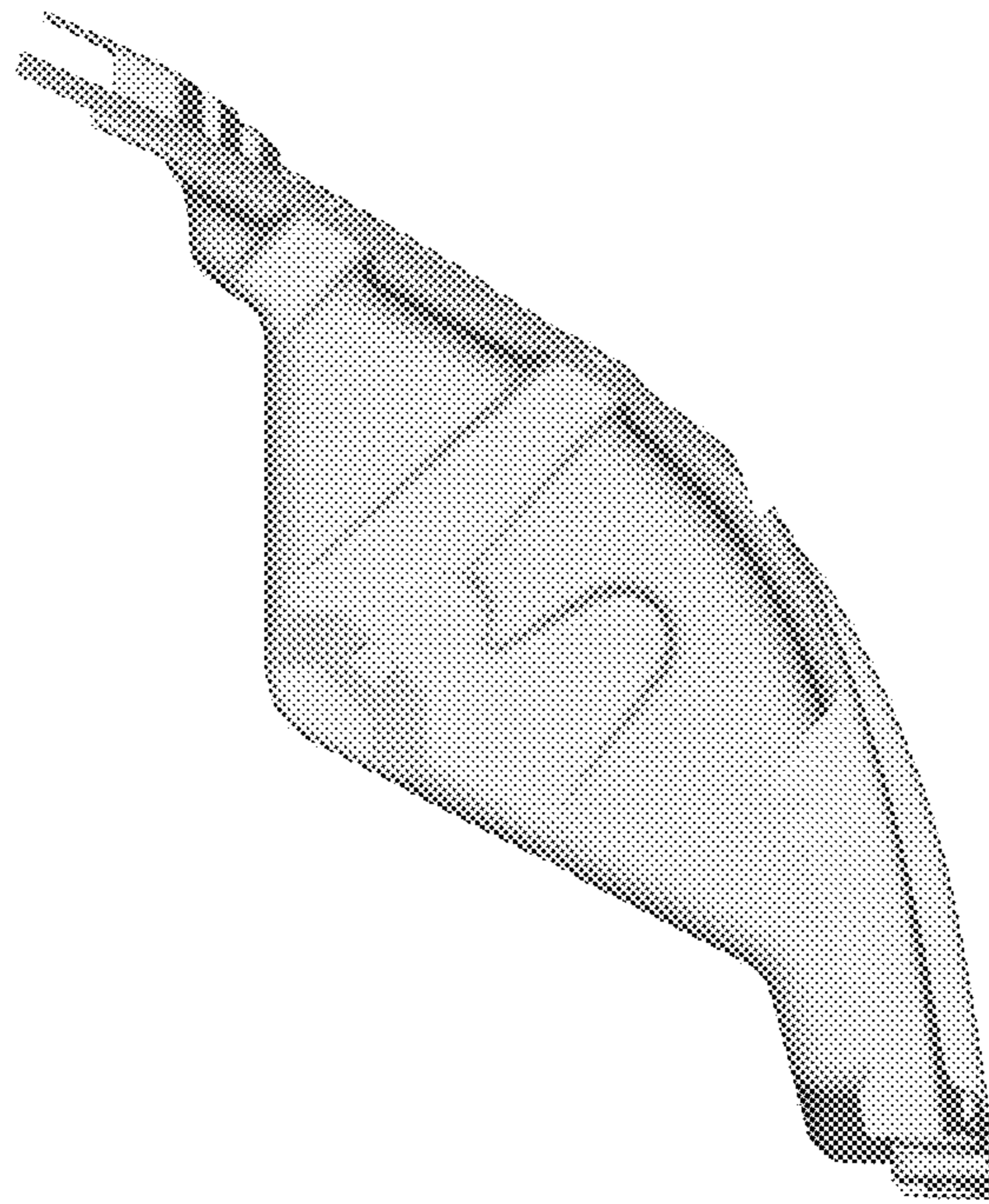


FIG. 7