



US00D833925S

(12) **United States Design Patent** (10) **Patent No.:** **US D833,925 S**
Waterhouse et al. (45) **Date of Patent:** **** Nov. 20, 2018**

(54) **BUMPER COMPONENT**
(71) Applicant: **Volvo Lastvagnar AB**, Göteborg (SE)
(72) Inventors: **Miles Waterhouse**, Greensboro, NC (US); **Jeff Cotner**, Greensboro, NC (US)
(73) Assignee: **VOLVO LASTVAGNAR AB**, Gothenburg (SE)
(**) Term: **15 Years**
(21) Appl. No.: **29/600,092**
(22) Filed: **Apr. 10, 2017**
(51) **LOC (11) Cl.** **12-16**
(52) **U.S. Cl.**
USPC **D12/169**
(58) **Field of Classification Search**
USPC D12/169, 86, 90, 91, 92, 163, 164, 171, D12/172, 196, 216
CPC B60R 19/02; B60R 2019/18876; B60R 19/48; B60R 19/52; B60R 19/56
See application file for complete search history.

(56) **References Cited**
U.S. PATENT DOCUMENTS
D518,424 S * 4/2006 Clark D12/169
D519,069 S * 4/2006 Clark D12/169
D540,722 S * 4/2007 Angelo D12/169
D553,544 S * 10/2007 Rothman D12/92
D564,423 S * 3/2008 Spearman-Oxx D12/169

D594,383 S * 6/2009 Lo D12/86
D710,767 S * 8/2014 Heilaneh D12/169
D718,662 S * 12/2014 Ishizuka D12/92
D727,806 S * 4/2015 Grake D12/169
D775,018 S * 12/2016 Frykholm D12/169
D789,852 S * 6/2017 Frykholm D12/169
D808,317 S * 1/2018 Piscitelli D12/190
D813,751 S * 3/2018 Yates B60R 19/24
D12/169
D814,996 S * 4/2018 Yates D12/169
D818,404 S * 5/2018 Waterhouse D12/169
2017/0050595 A1 * 2/2017 Miller B60R 19/24

OTHER PUBLICATIONS

Images of Volvo VNL Truck, released 2002, 2 pages.

* cited by examiner

Primary Examiner — Robin V Webster
Assistant Examiner — Rachel A Voorhies
(74) *Attorney, Agent, or Firm* — Tucker Ellis LLP

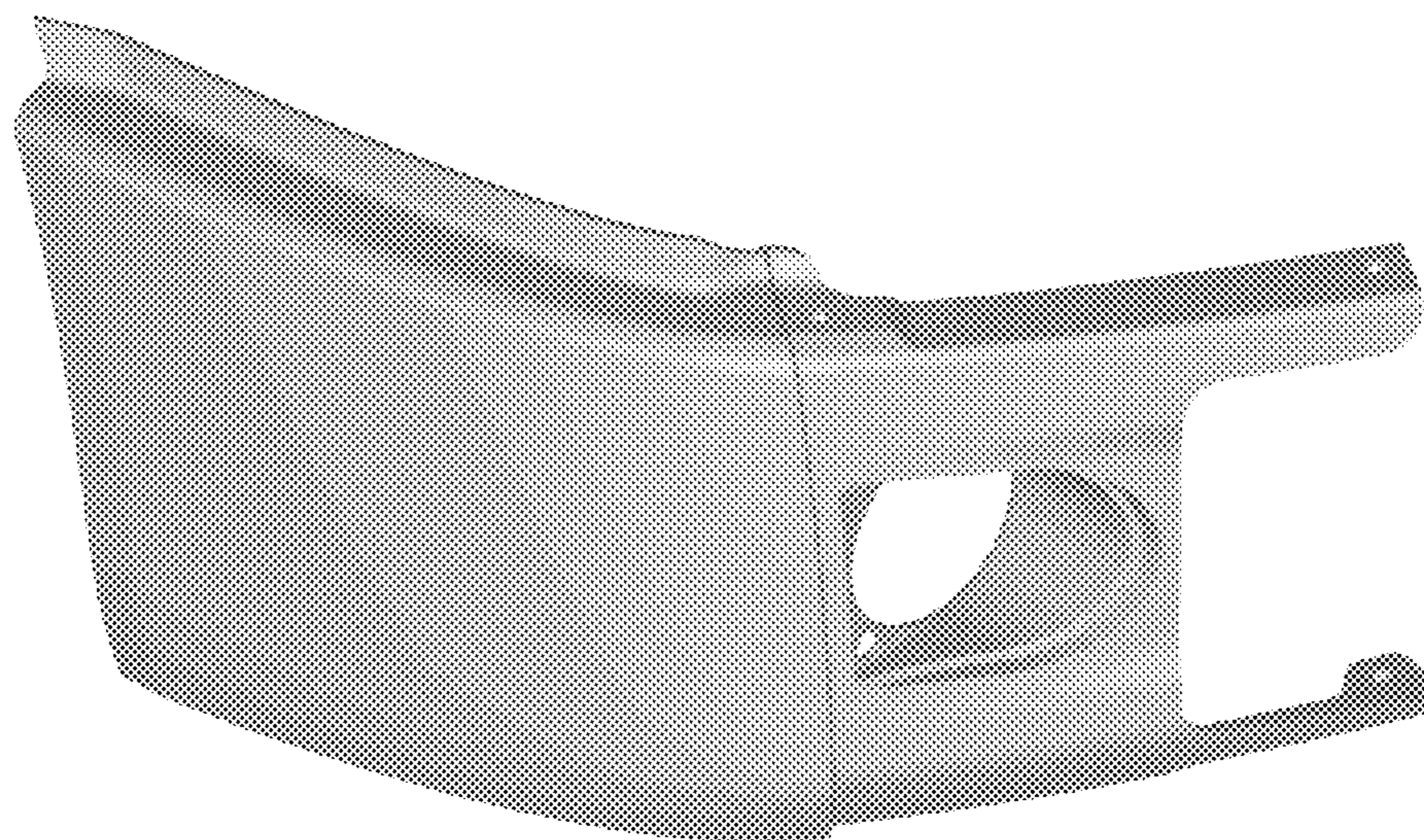
(57) **CLAIM**

The ornamental design for a bumper component, as shown and described.

DESCRIPTION

FIG. 1 is a top right perspective view of a bumper component showing our new design.
FIG. 2 is a front view thereof.
FIG. 3 is a right side view thereof.
FIG. 4 is a top view thereof; and,
FIG. 5 is a bottom view thereof.

1 Claim, 3 Drawing Sheets



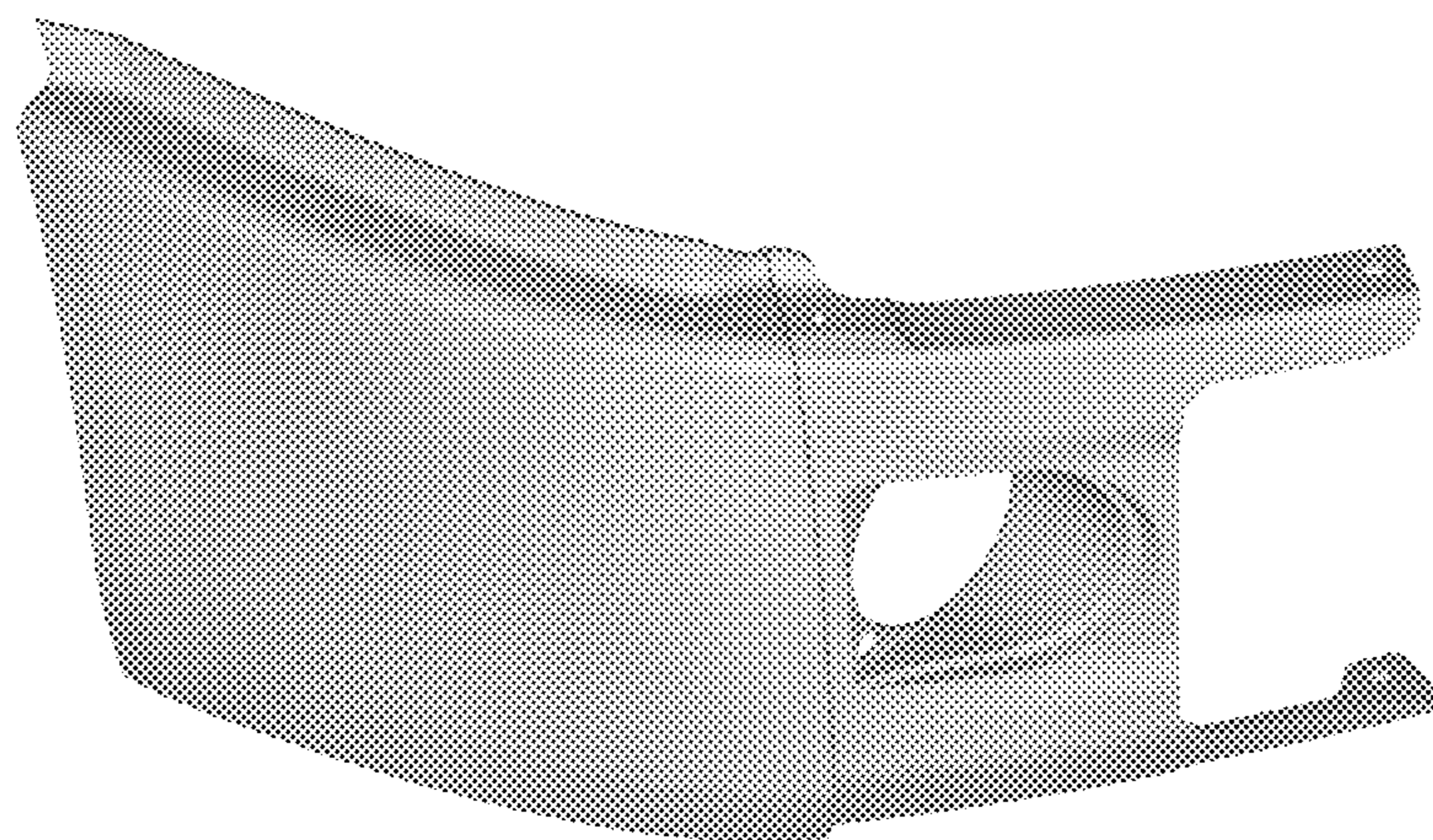


FIG. 1

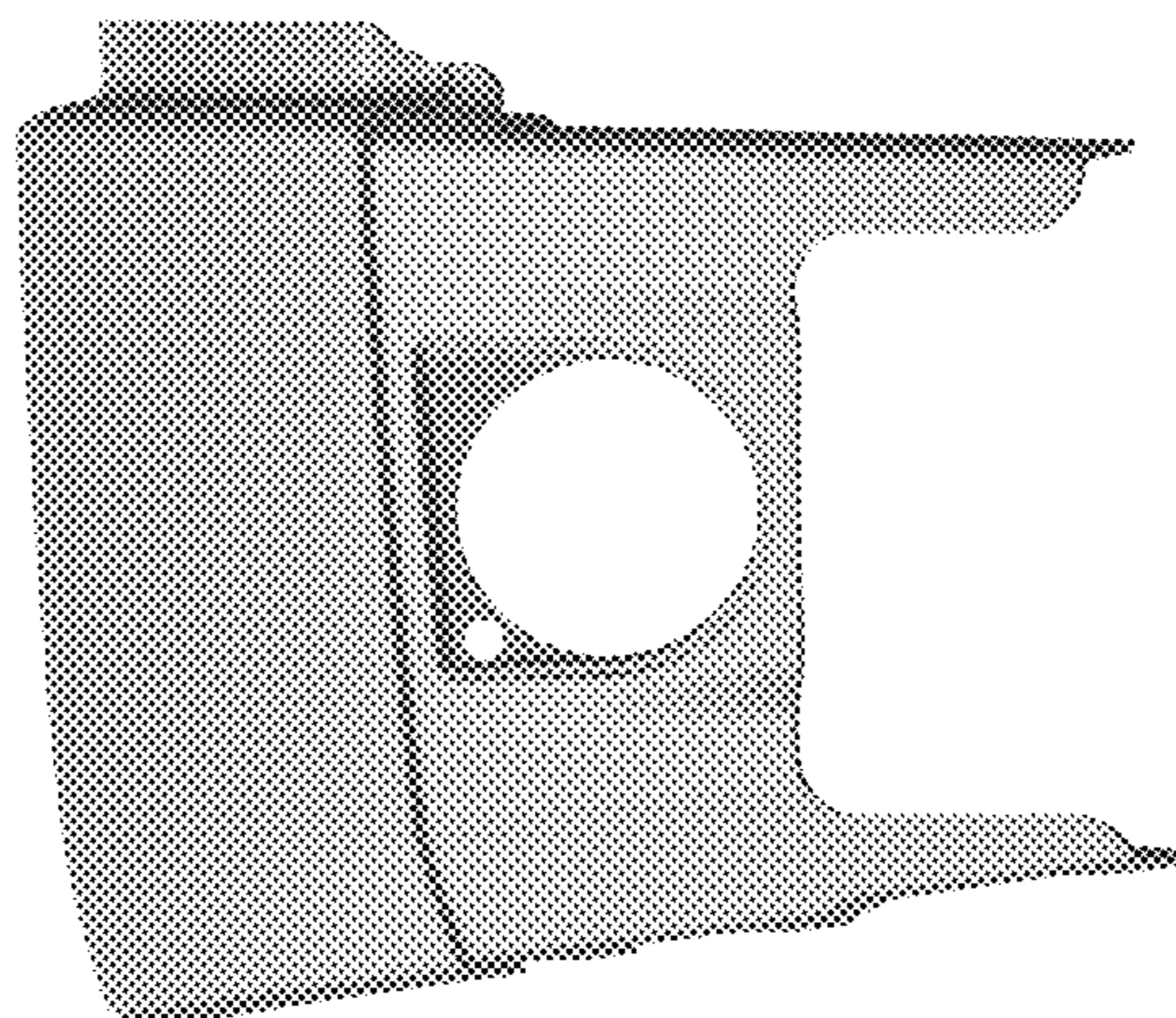


FIG. 2

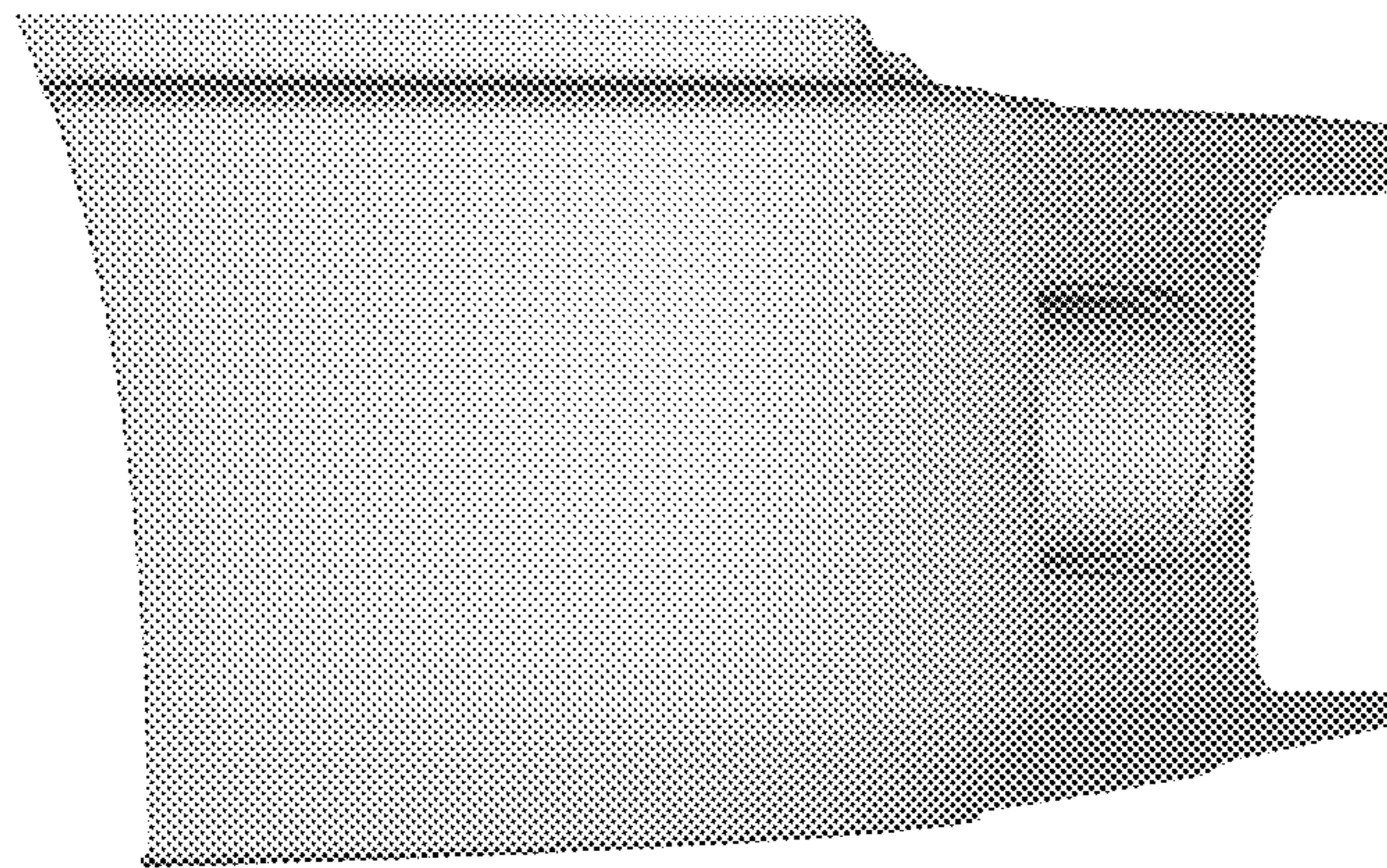


FIG. 3

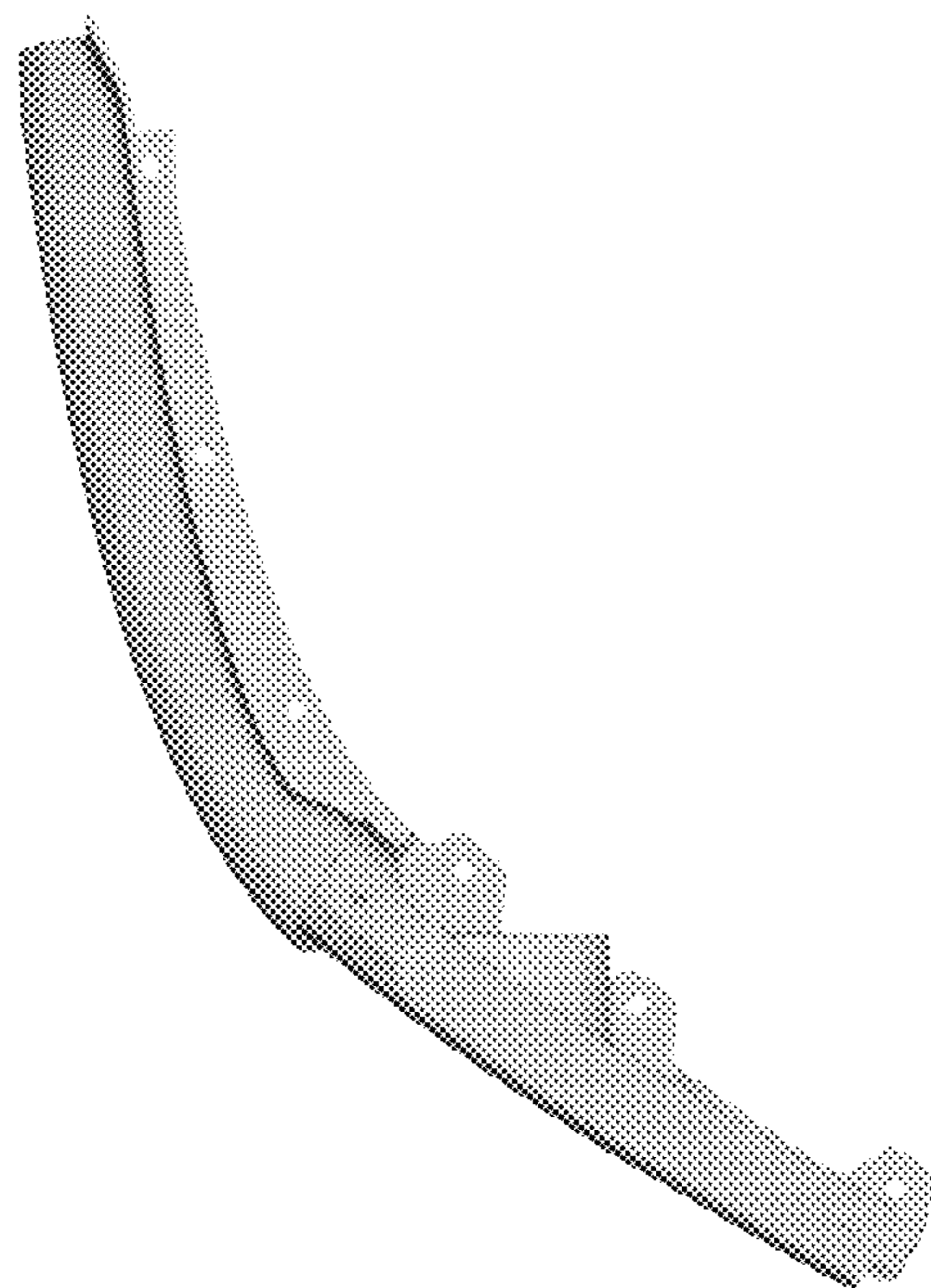


FIG. 4

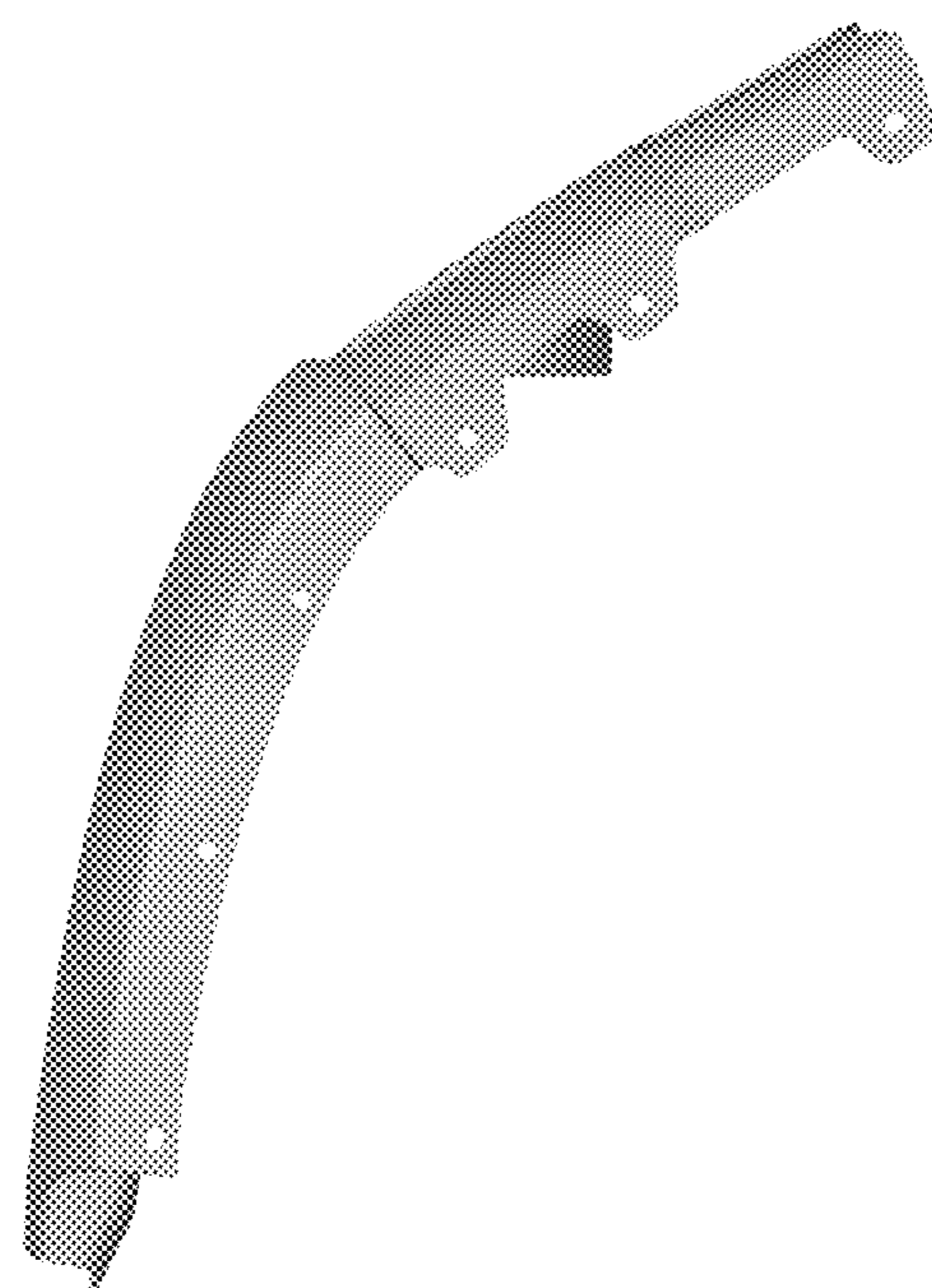


FIG. 5