



US00D833924S

(12) **United States Design Patent**
Haddock

(10) **Patent No.:** **US D833,924 S**

(45) **Date of Patent:** **** Nov. 20, 2018**

(54) **EXHAUST FOR A VEHICULAR HOOD**

D561,358 S 2/2008 Tachibana
D574,309 S 8/2008 Unfried et al.
D614,534 S * 4/2010 Weaver D12/90
(Continued)

(71) Applicant: **Dwight N. Haddock**, Crandall, TX
(US)

(72) Inventor: **Dwight N. Haddock**, Crandall, TX
(US)

(**) Term: **15 Years**

(21) Appl. No.: **29/597,400**

(22) Filed: **Mar. 16, 2017**

(51) **LOC (11) Cl.** **12-16**

(52) **U.S. Cl.**
USPC **D12/163**; D12/173; D12/194

(58) **Field of Classification Search**
USPC D12/90-91, 163, 173, 194-195; D15/3,
D15/5
CPC B60K 13/02; B60K 13/04; B60K 13/06;
F02B 27/02; F02B 27/06
See application file for complete search history.

(56) **References Cited**

U.S. PATENT DOCUMENTS

D187,368 S	*	3/1960	MacKichan	D12/163
D222,583 S	*	11/1971	Watson	D12/91
D330,881 S	*	11/1992	Masters	D12/173
D430,085 S	*	8/2000	Hoyle, Jr.	D12/173
D473,829 S	*	4/2003	Hoyle, Jr.	D12/173
D487,414 S	*	3/2004	Wakao	D12/91
D498,445 S	*	11/2004	Chiang	D12/173
D510,305 S	*	10/2005	Chiang	D12/173
D514,483 S	*	2/2006	Chiang	D12/173
D528,488 S		9/2006	Webb		
D534,469 S		1/2007	Murkett		
D539,715 S		4/2007	Lai		
D540,231 S		4/2007	Braun et al.		
D541,718 S		5/2007	Emler		
D553,062 S		10/2007	Murkett		
D558,111 S		12/2007	Banks, III		
D558,799 S		1/2008	Higashikawa		

OTHER PUBLICATIONS

2pcs New Universal Auto Car Flow Air Intake Hood Vent, posted at AliExpress, posting date not available. [Site visited Jul. 26, 2018]. URL: <<https://fr.aliexpress.com/item/2pcs-New-Universal-Auto-Car-Air-Intake-Flow-Hood-Vent-Fender-Decoration-Stickers-Bonnet-Cover-Car/32365449813.html>>.*

(Continued)

Primary Examiner — Kevin K Rudzinski

Assistant Examiner — Kathleen L Jones

(74) *Attorney, Agent, or Firm* — Scott T. Griggs; Griggs Bergen LLP

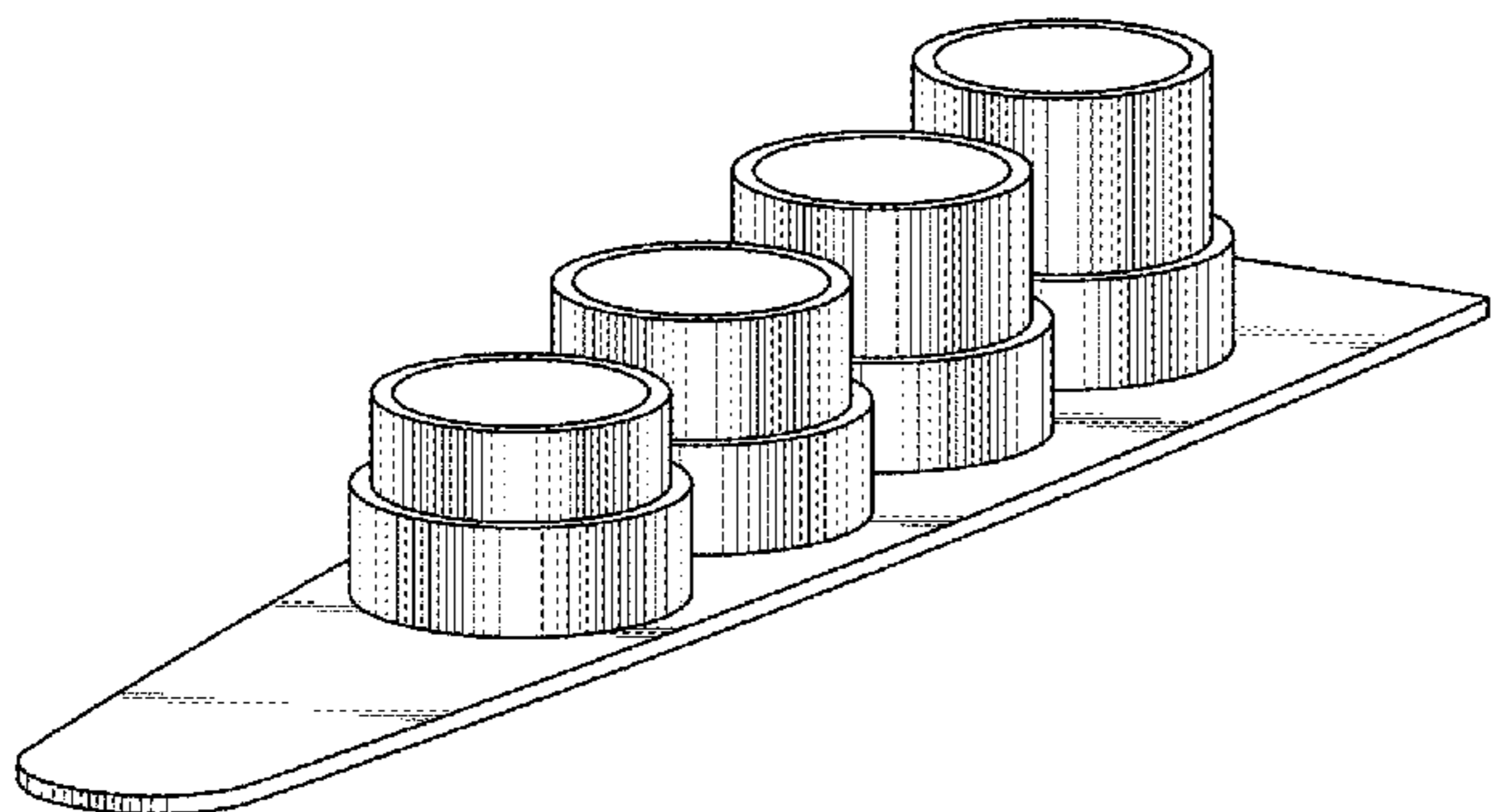
(57) **CLAIM**

The ornamental design for an exhaust for a vehicular hood, as shown and described.

DESCRIPTION

FIG. 1 is a front-left perspective view, in an operational configuration of an exhaust for a vehicular hood;
FIG. 2 is another front-left perspective view of the exhaust for a vehicular hood shown in FIG. 1;
FIGS. 3 is a left side elevation view of the exhaust for a vehicular hood shown in FIG. 1, the right side elevation view being a mirror image thereof;
FIG. 4 is a rear elevation view of the exhaust for a vehicular hood shown in FIG. 1;
FIG. 5 is a top plan view of the exhaust for a vehicular hood as shown in FIG. 1; and,
FIG. 6 is a front elevation view of the exhaust for a vehicular hood as shown in FIG. 1.
The dashed and dotted lines in FIG. 1 showing a vehicle are included for environmental purposes only and form no part of the claimed design.

1 Claim, 1 Drawing Sheet



(56)

References Cited

U.S. PATENT DOCUMENTS

D671,462 S * 11/2012 Fetherston D12/163
D788,659 S * 6/2017 Jelec D12/163
D810,626 S * 2/2018 Macey D12/91
2015/0138819 A1 * 5/2015 Salter F21S 43/13
362/510

OTHER PUBLICATIONS

DiamondStarMonsters, New Project, posted at Fit Freak, posting date Mar. 17, 2013. [Site visited Jul. 26, 2018] URL: <<https://www.fitfreak.net/forums/other-car-related-discussions/66341-new-project-20.html>> (Year: 2013).*

* cited by examiner

