



US00D833922S

(12) **United States Design Patent** (10) **Patent No.:** **US D833,922 S**  
**DiCanzio** (45) **Date of Patent:** **\*\* Nov. 20, 2018**

(54) **AUTOMOBILE BUMPER**  
(71) Applicant: **Michael DiCanzio**, West Chester, PA (US)  
(72) Inventor: **Michael DiCanzio**, West Chester, PA (US)  
(73) Assignee: **Turn 5, Inc.**, Paoli, PA (US)  
(\*\*) Term: **15 Years**  
(21) Appl. No.: **29/587,268**  
(22) Filed: **Dec. 12, 2016**  
(51) **LOC (11) Cl.** ..... **12-16**  
(52) **U.S. Cl.**  
USPC ..... **D12/163**  
(58) **Field of Classification Search**  
USPC ..... D12/86, 90, 91, 92, 163, 169, 171, 196, D12/216  
CPC ..... B60R 19/02; B60R 19/04; B62D 25/00; B62D 25/06; B62D 25/08; B62D 35/00  
See application file for complete search history.

D776,582 S \* 1/2017 Bennett ..... D12/169  
D777,618 S \* 1/2017 Setina ..... D12/171  
D777,619 S \* 1/2017 Barajas ..... D12/167  
D781,193 S \* 3/2017 McMath ..... D12/196  
D785,504 S \* 5/2017 Higgs ..... D12/91  
D792,817 S \* 7/2017 McMath ..... D12/169  
D792,818 S \* 7/2017 McMath ..... D12/169  
D793,304 S \* 8/2017 McMath ..... D12/169  
D794,519 S \* 8/2017 McMath ..... D12/169  
D796,399 S \* 9/2017 Steen ..... D12/169  
D800,036 S \* 10/2017 Bennett ..... D12/169  
D800,226 S \* 10/2017 Zeng ..... D21/433  
D801,892 S \* 11/2017 Dreyer ..... D12/171  
2017/0088076 A1 \* 3/2017 Fujimoto ..... B60R 19/44  
2017/0247014 A1 \* 8/2017 Farooq ..... B60R 19/12  
2017/0349227 A1 \* 12/2017 Spindler ..... B62D 65/10

\* cited by examiner

*Primary Examiner* — Susan Bennett Hattan  
*Assistant Examiner* — Suzanne E Tisdell  
(74) *Attorney, Agent, or Firm* — Schott, P.C.

(57) **CLAIM**

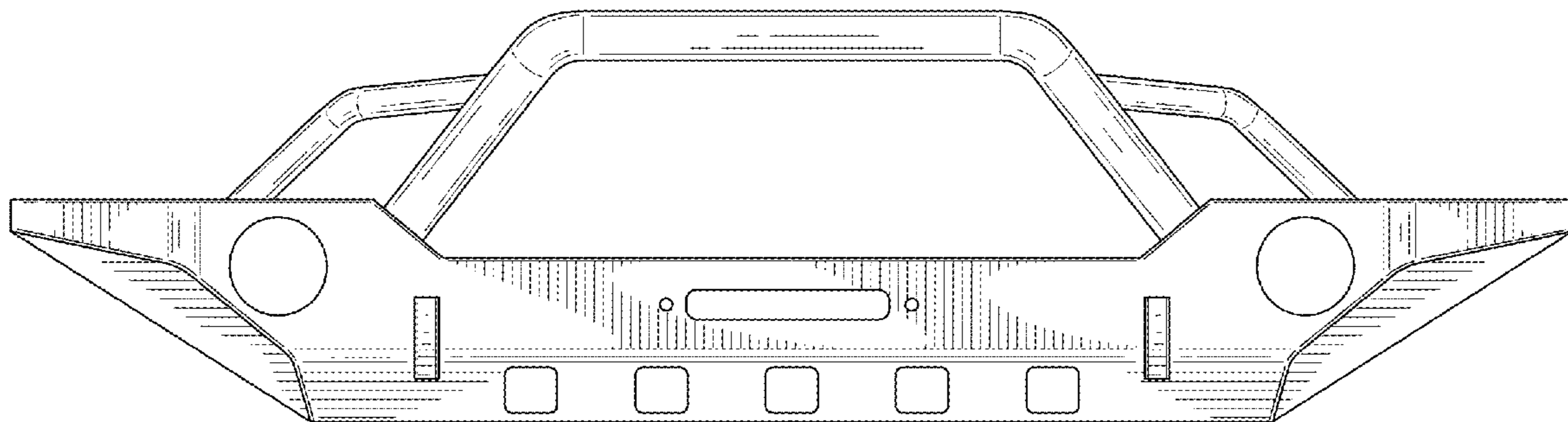
The ornamental design for an automobile bumper, as shown and described.

**DESCRIPTION**

FIG. 1 is a front view of the automobile bumper of the present invention;  
FIG. 2 is a right side view thereof;  
FIG. 3 is a left side view thereof;  
FIG. 4 is a top side view thereof;  
FIG. 5 is a front perspective side view thereof;  
FIG. 6 is a top perspective view thereof;  
FIG. 7 is another front perspective view thereof; and,  
FIG. 8 is a rear perspective view thereof.

**1 Claim, 7 Drawing Sheets**

(56) **References Cited**  
U.S. PATENT DOCUMENTS  
D722,927 S \* 2/2015 Schroeder ..... D12/171  
D726,605 S \* 4/2015 Schroeder ..... D12/171  
D741,233 S \* 10/2015 Glover ..... D12/169  
D744,384 S \* 12/2015 Harriton ..... D12/169  
D744,386 S \* 12/2015 Harriton ..... D12/169  
D744,387 S \* 12/2015 Harriton ..... D12/169  
D749,995 S \* 2/2016 Azadi ..... D12/163  
D760,133 S \* 6/2016 Bennett ..... D12/171  
D775,013 S \* 12/2016 Bennett ..... D12/169  
D775,016 S \* 12/2016 Reynolds ..... D12/171



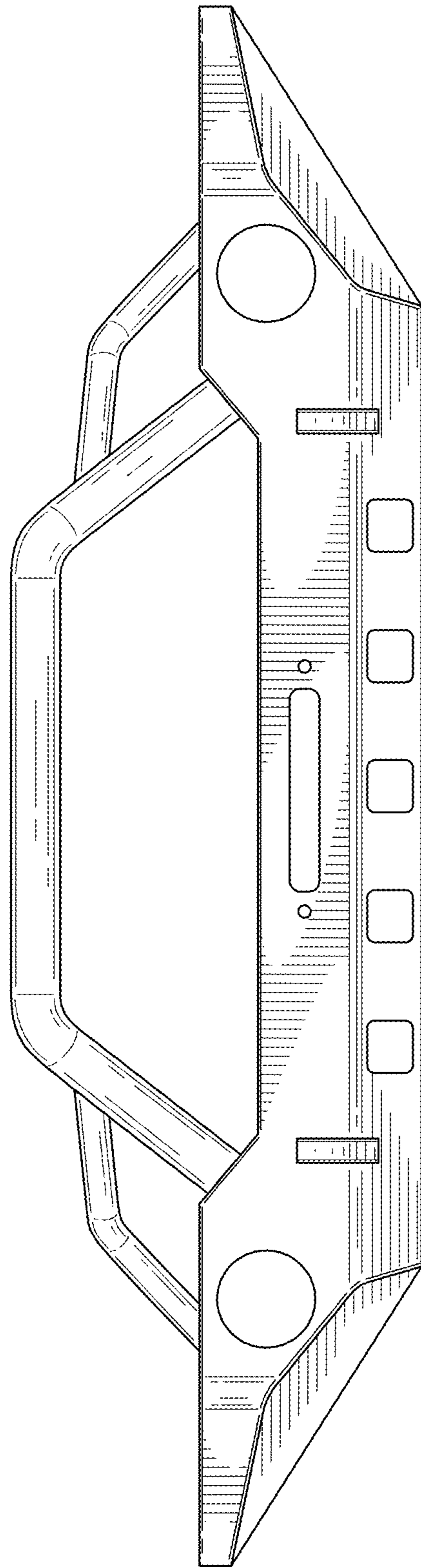


FIG. 1

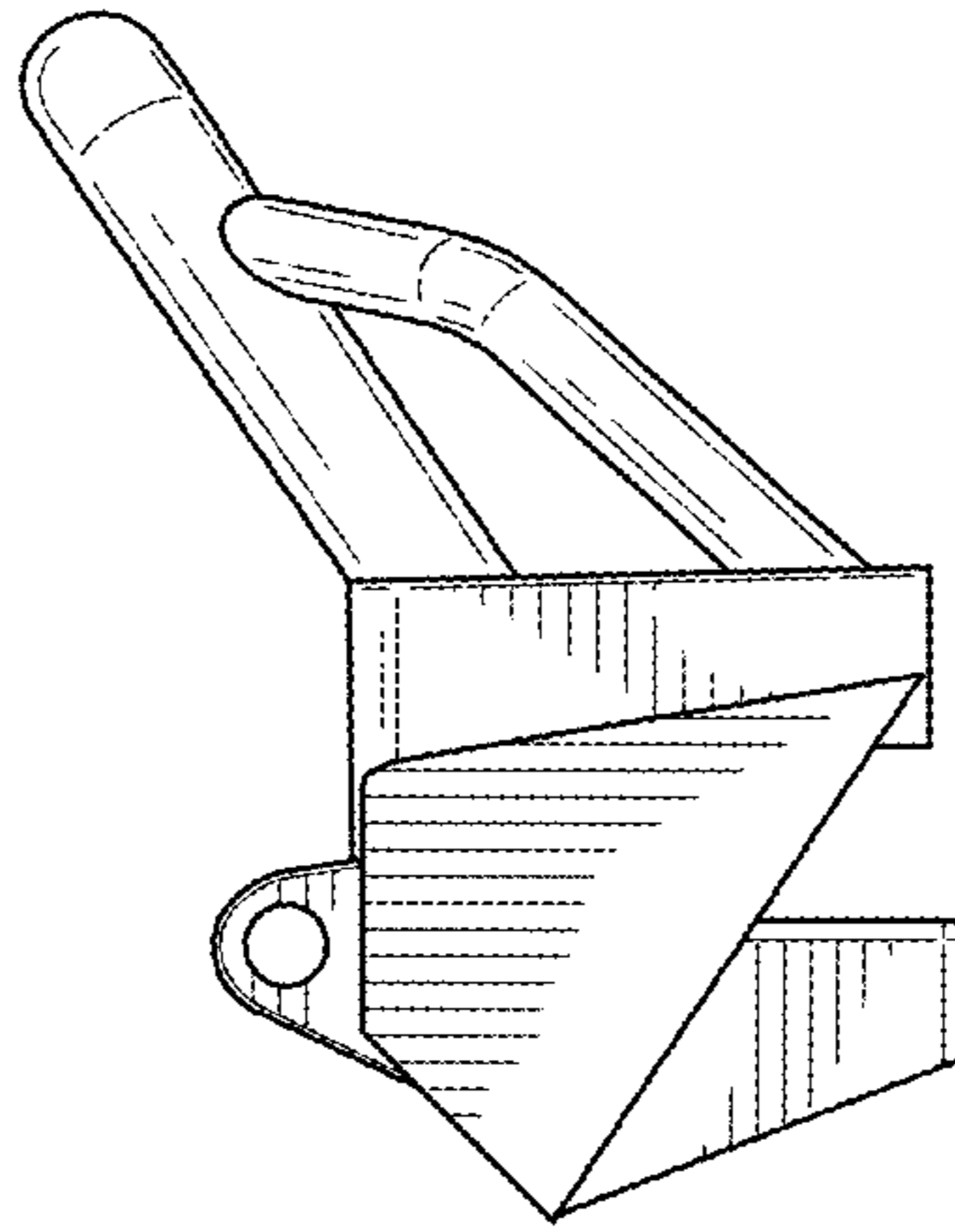


FIG. 2

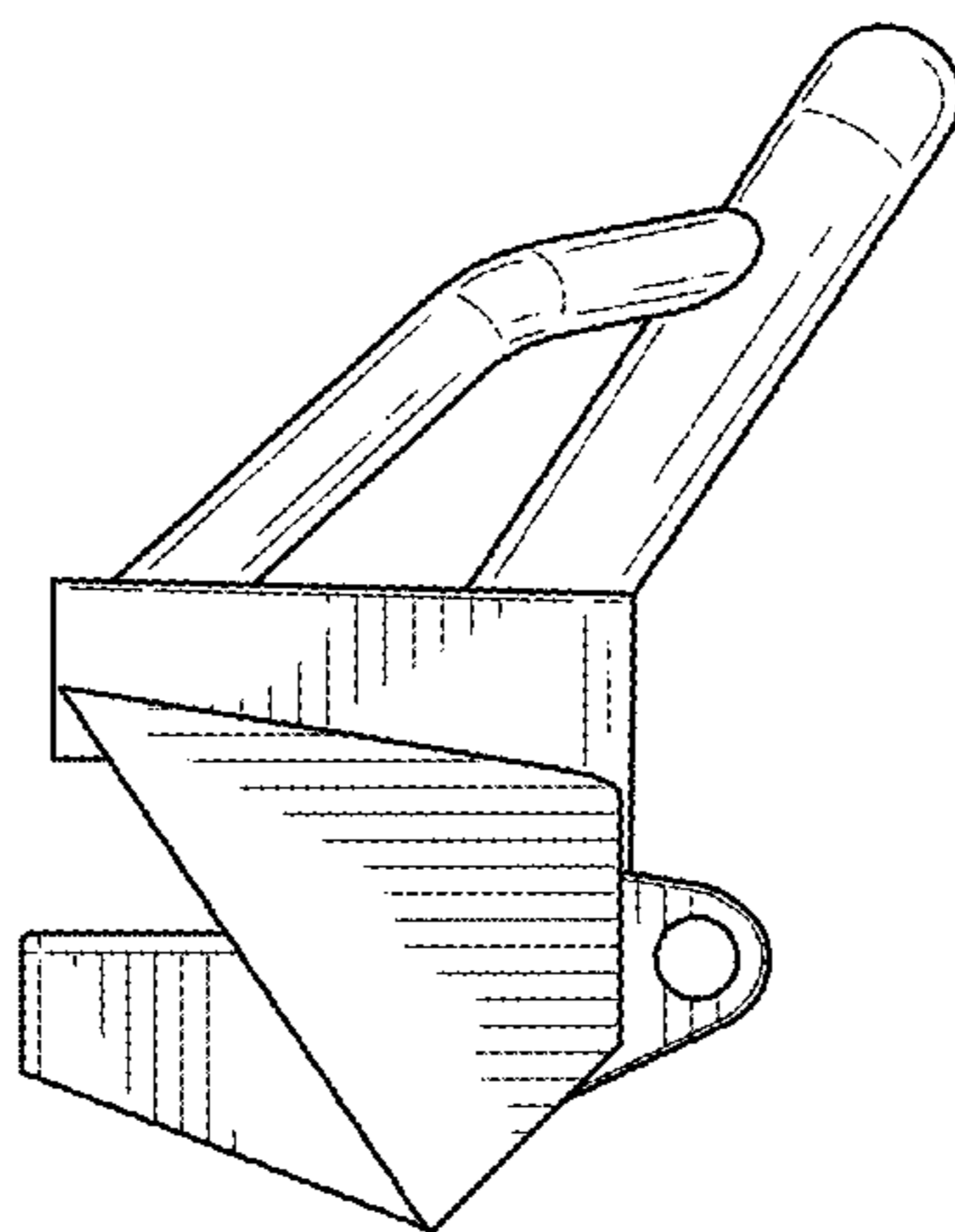


FIG. 3

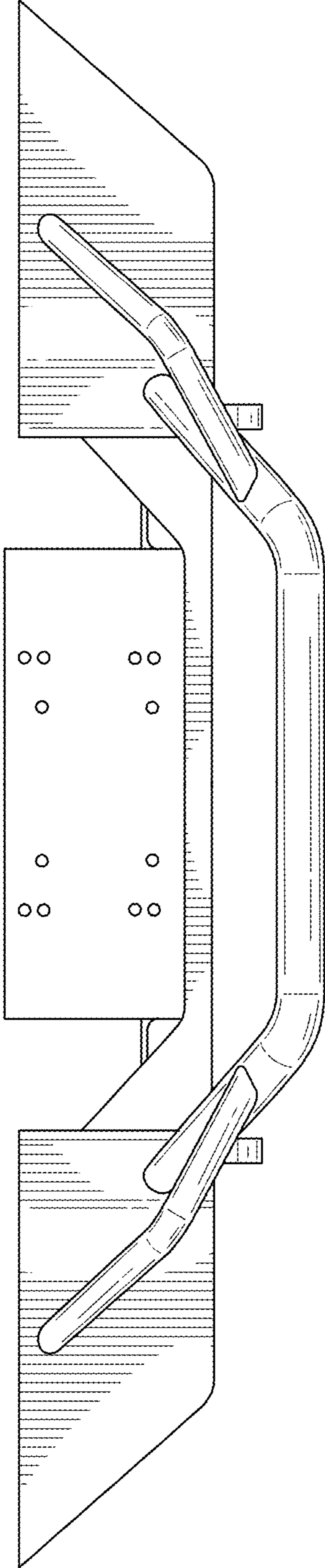


FIG. 4

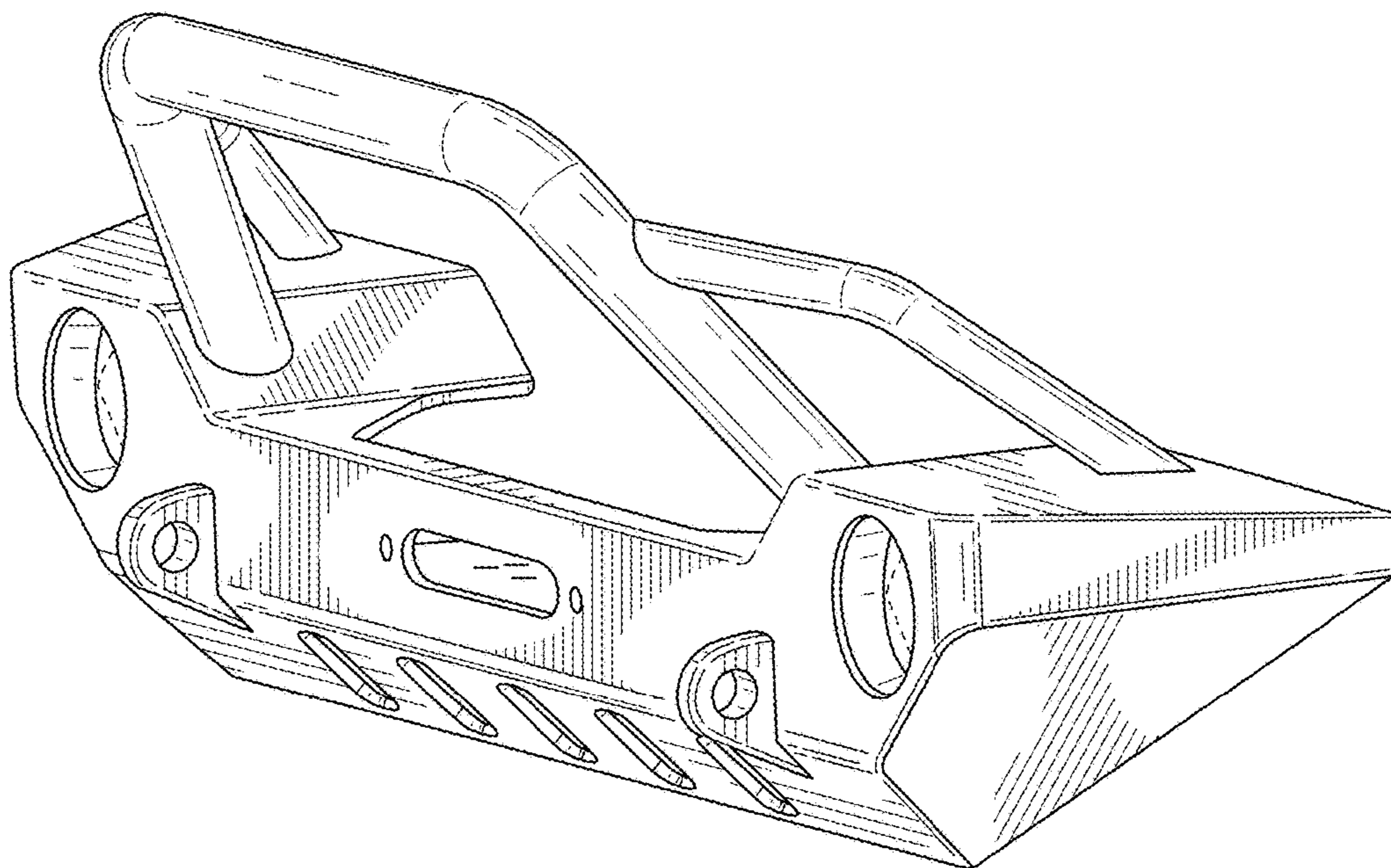


FIG. 5

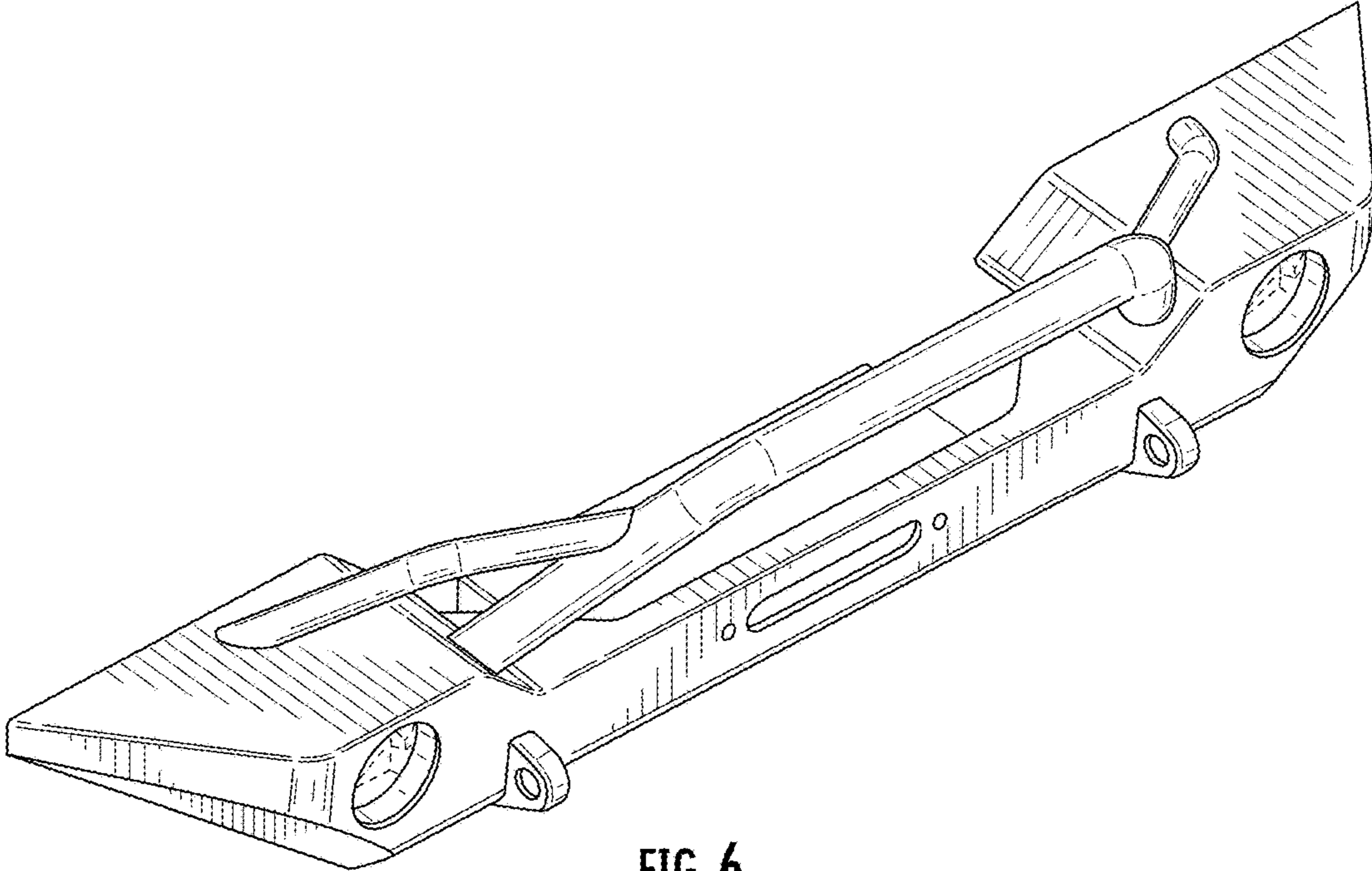


FIG. 6

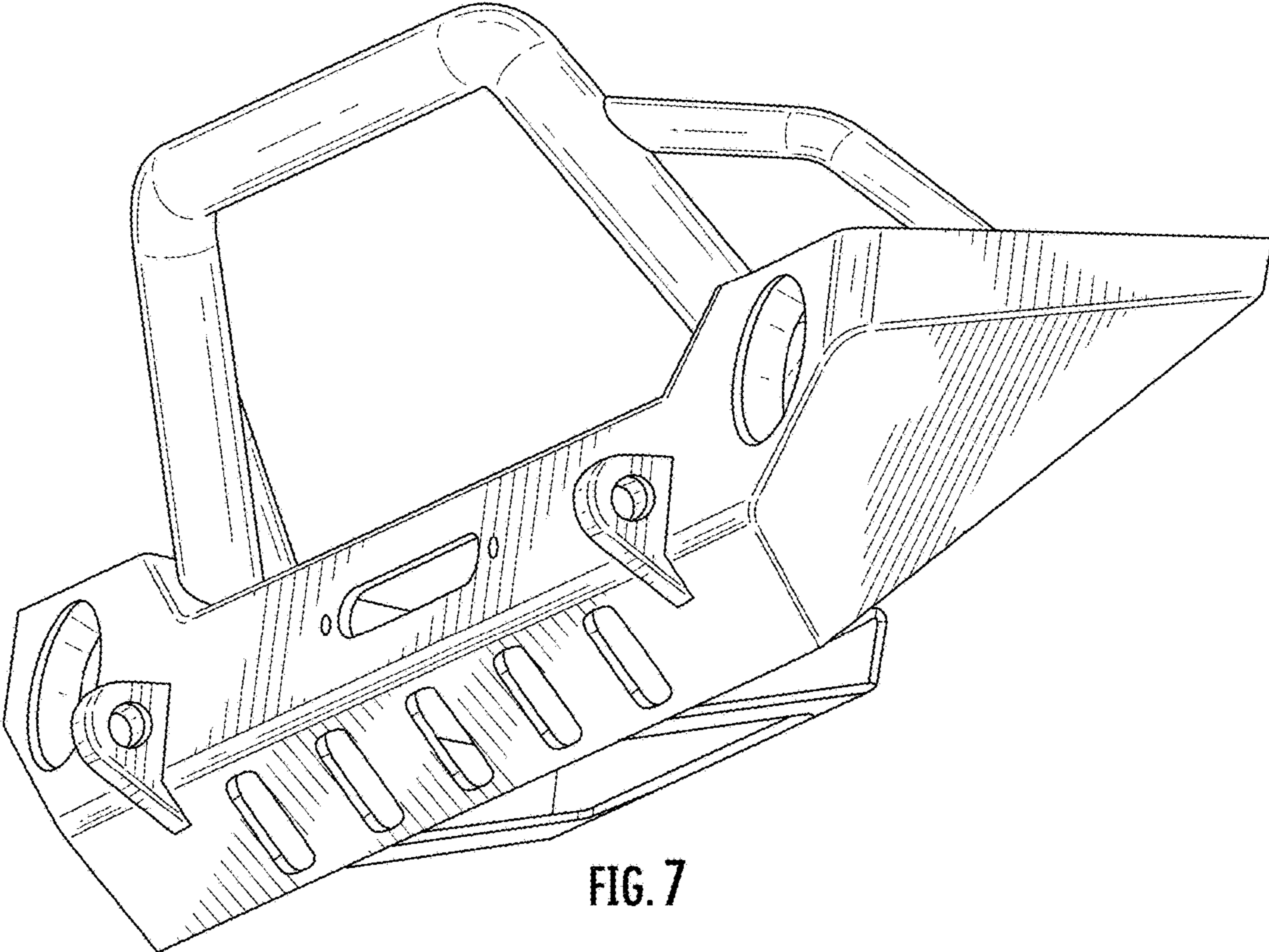


FIG. 7

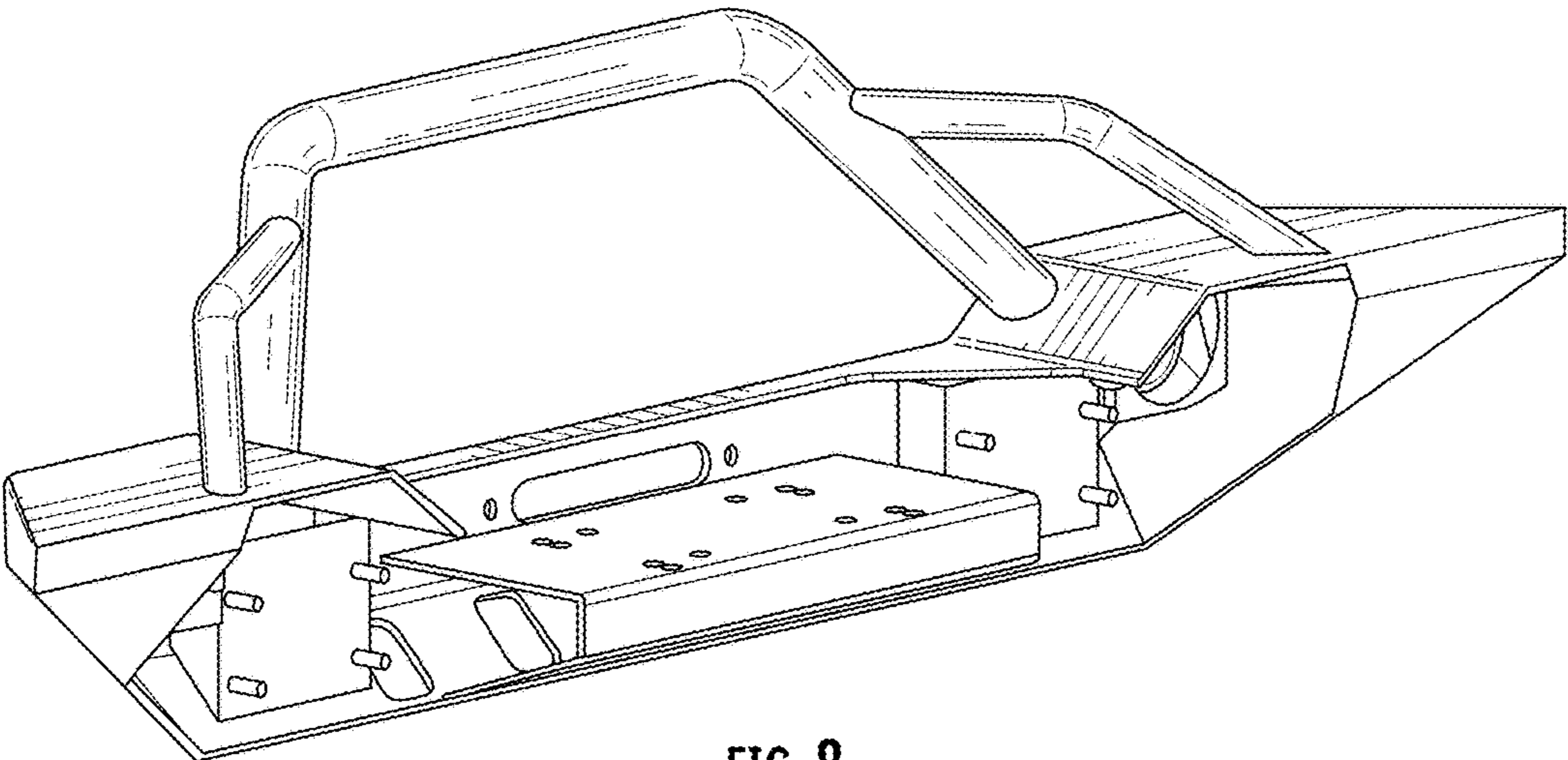


FIG. 8