



US00D833921S

(12) **United States Design Patent**
Daigre

(10) **Patent No.:** **US D833,921 S**
(45) **Date of Patent:** **** Nov. 20, 2018**

- (54) **TRACTOR TRAILER LANDING GEAR ASSEMBLY WITH GALVANIZED SURFACE TREATMENT**
- (71) Applicant: **Wabash National, L.P.**, Lafayette, IN (US)
- (72) Inventor: **Richard R. Daigre**, Hopkinsville, KY (US)
- (73) Assignee: **Wabash National, L.P.**, Lafayette, IN (US)
- (**) Term: **15 Years**
- (21) Appl. No.: **29/586,489**
- (22) Filed: **Dec. 5, 2016**
- (51) **LOC (11) Cl.** **12-16**
- (52) **U.S. Cl.**
USPC **D12/159**
- (58) **Field of Classification Search**
USPC **D12/159-162**

(Continued)

(56) **References Cited**

U.S. PATENT DOCUMENTS

- 3,861,648 A * 1/1975 Glassmeyer B60D 1/66
254/419
- 3,976,310 A * 8/1976 Carr B60D 1/66
280/766.1

(Continued)

Primary Examiner — Michael A. Pratt

(74) *Attorney, Agent, or Firm* — Quarles & Brady LLP

(57) **CLAIM**

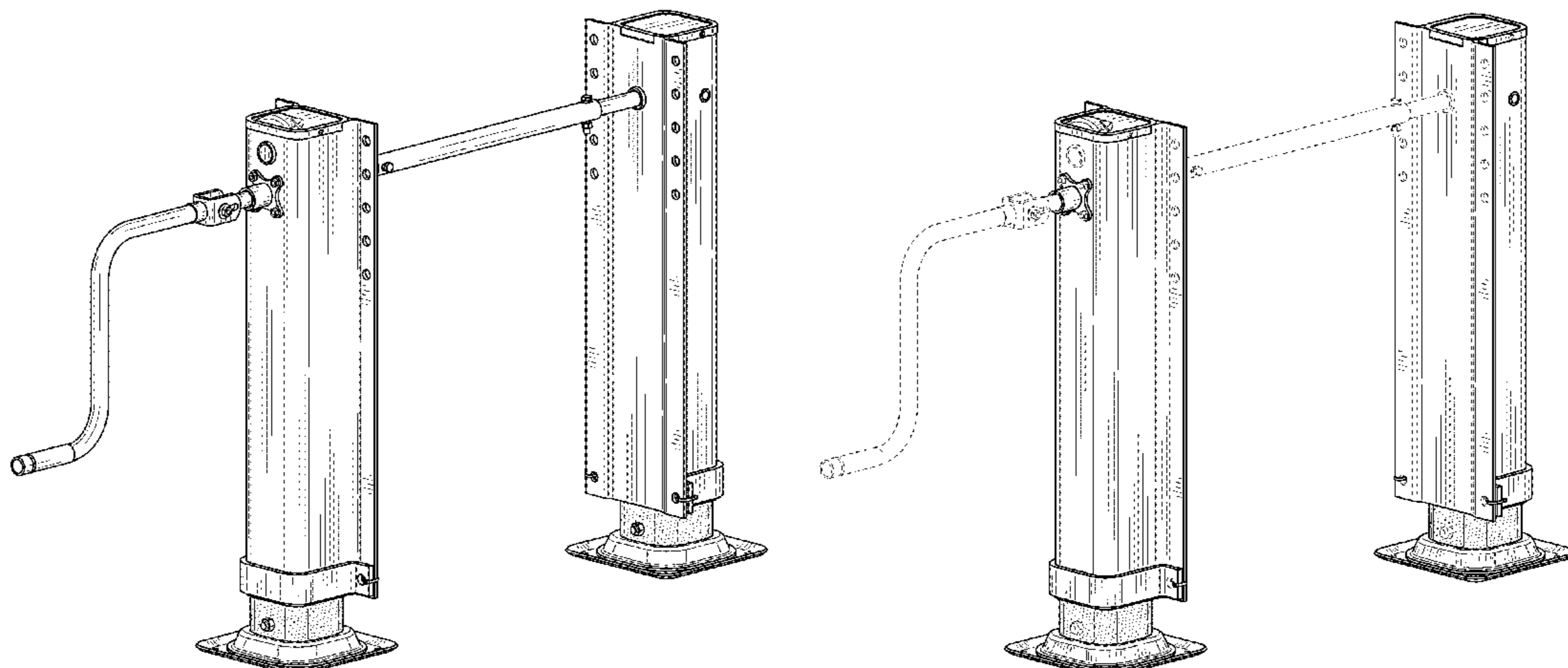
The ornamental design for a tractor trailer landing gear assembly with galvanized surface treatment thereon, as shown and described.

DESCRIPTION

FIG. 1 is an isometric view of a tractor trailer landing gear assembly with galvanized surface treatment thereon;
 FIG. 2 is a front elevational view of the tractor trailer landing gear assembly of FIG. 1 with galvanized surface treatment thereon;
 FIG. 3 is a rear elevational view of the tractor trailer landing gear assembly of FIG. 1 with galvanized surface treatment thereon;

FIG. 4 is a right side elevational view of the tractor trailer landing gear assembly of FIG. 1 with galvanized surface treatment thereon;
 FIG. 5 is a left side elevational view of the tractor trailer landing gear assembly of FIG. 1 with galvanized surface treatment thereon;
 FIG. 6 is a top plan view of the tractor trailer landing gear assembly of FIG. 1 with galvanized surface treatment thereon;
 FIG. 7 is a bottom plan view of the tractor trailer landing gear assembly of FIG. 1 with galvanized surface treatment thereon;
 FIG. 8 is an isometric view of the tractor trailer landing gear assembly of FIG. 1 depicted with legs in an extended position, and with galvanized surface treatment thereon;
 FIG. 9 is an isometric view of another embodiment of a tractor trailer landing gear assembly with galvanized surface treatment thereon;
 FIG. 10 is a front elevational view of the tractor trailer landing gear assembly of FIG. 9 with galvanized surface treatment thereon;
 FIG. 11 is a rear elevational view of the tractor trailer landing gear assembly of FIG. 9 with galvanized surface treatment thereon;
 FIG. 12 is a right side elevational view of the tractor trailer landing gear assembly of FIG. 9 with galvanized surface treatment thereon;
 FIG. 13 is a left side elevational view of the tractor trailer landing gear assembly of FIG. 9 with galvanized surface treatment thereon;
 FIG. 14 is a top plan view of the tractor trailer landing gear assembly of FIG. 9 with galvanized surface treatment thereon;
 FIG. 15 is a bottom plan view of the tractor trailer landing gear assembly of FIG. 9 with galvanized surface treatment thereon; and,
 FIG. 16 is an isometric view of the tractor trailer landing gear assembly of FIG. 9 depicted with legs in an extended position, and with galvanized surface treatment thereon.
 The broken lines in FIGS. 9-16 are included for the purpose of illustrating environmental structure and form no part of the claimed design. The stippling shown in FIGS. 1-5, 8-13, and 16 depict the galvanized surface treatment that is applied to the tractor trailer landing gear assembly. The galvanized surface treatment depicted in FIGS. 1-5, 8-13, and 16 is adjacent other surfaces without stippling that are not galvanized.

1 Claim, 12 Drawing Sheets



(58) **Field of Classification Search**

CPC B60S 9/08; B60S 9/04; B60S 9/02; B60S
9/12; B60S 9/18; B60S 9/10; B60S 9/00;
B60S 9/06

See application file for complete search history.

(56) **References Cited**

U.S. PATENT DOCUMENTS

9,630,597	B1 *	4/2017	Magyar	B60S 9/08
9,873,410	B2 *	1/2018	Laarman	B60S 9/08
9,937,902	B2 *	4/2018	Klassy	B60S 9/08
2003/0183033	A1 *	10/2003	Peveler	B60S 9/08
				74/342
2007/0182149	A1 *	8/2007	Belliveau	B60S 9/08
				280/766.1
2009/0173033	A1 *	7/2009	Baxter, Jr.	A63J 1/00
				52/646
2012/0132742	A1 *	5/2012	O'Connell	B64C 25/50
				244/100 R
2017/0015286	A1 *	1/2017	Klassy	B60S 9/08
2018/0141524	A1 *	5/2018	Laarman	B60S 9/08

* cited by examiner

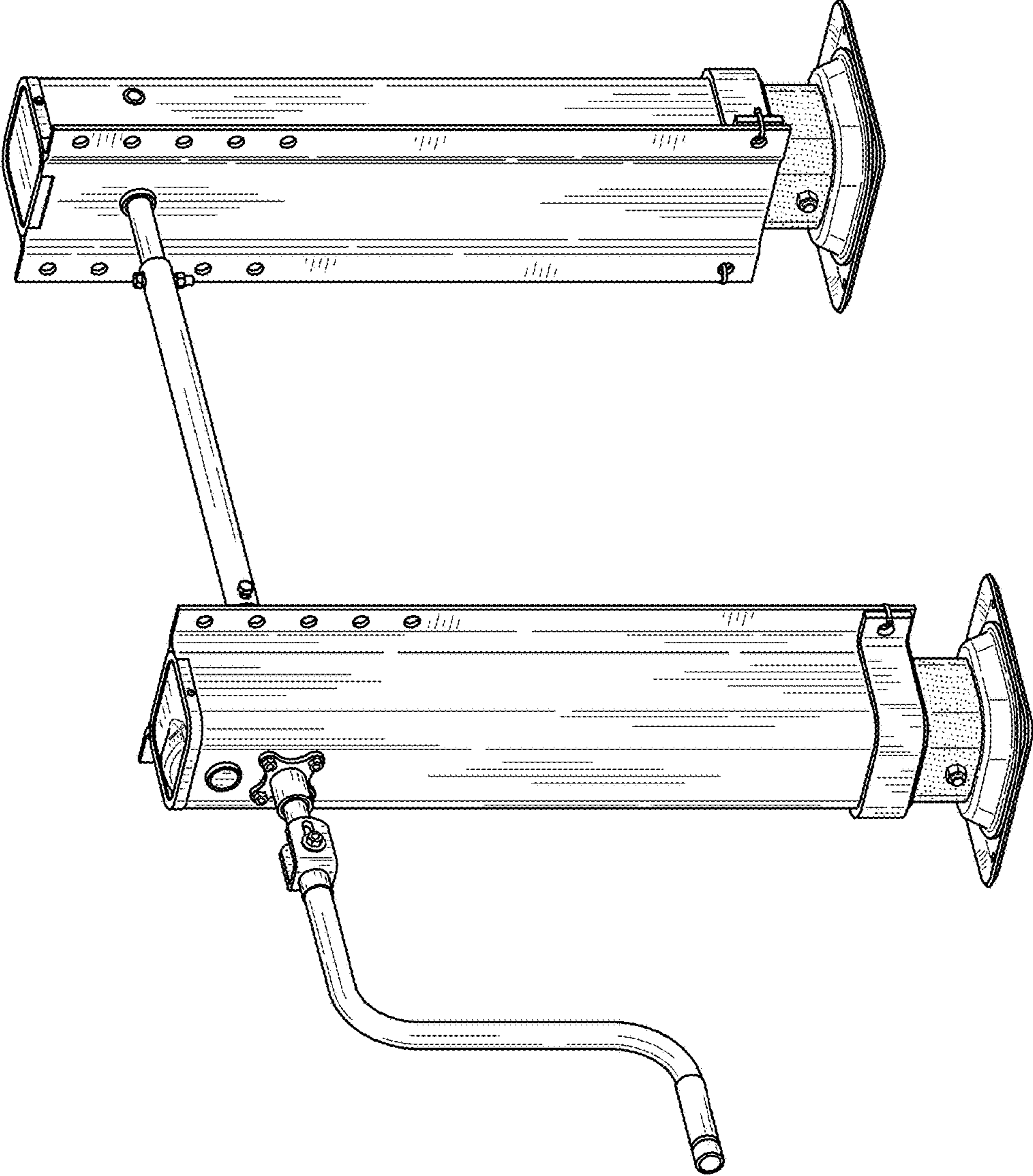


FIG. 1

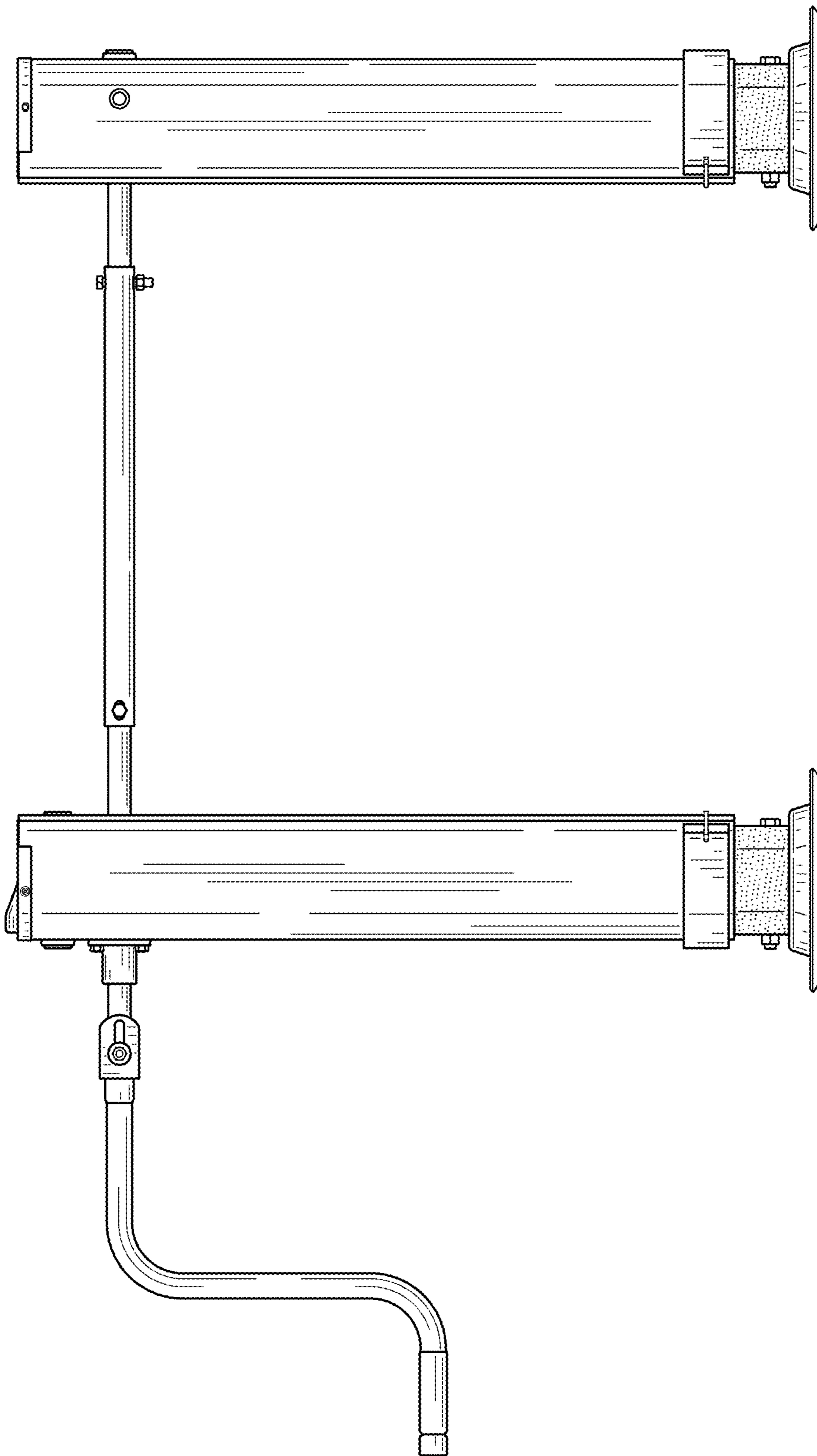


FIG. 2

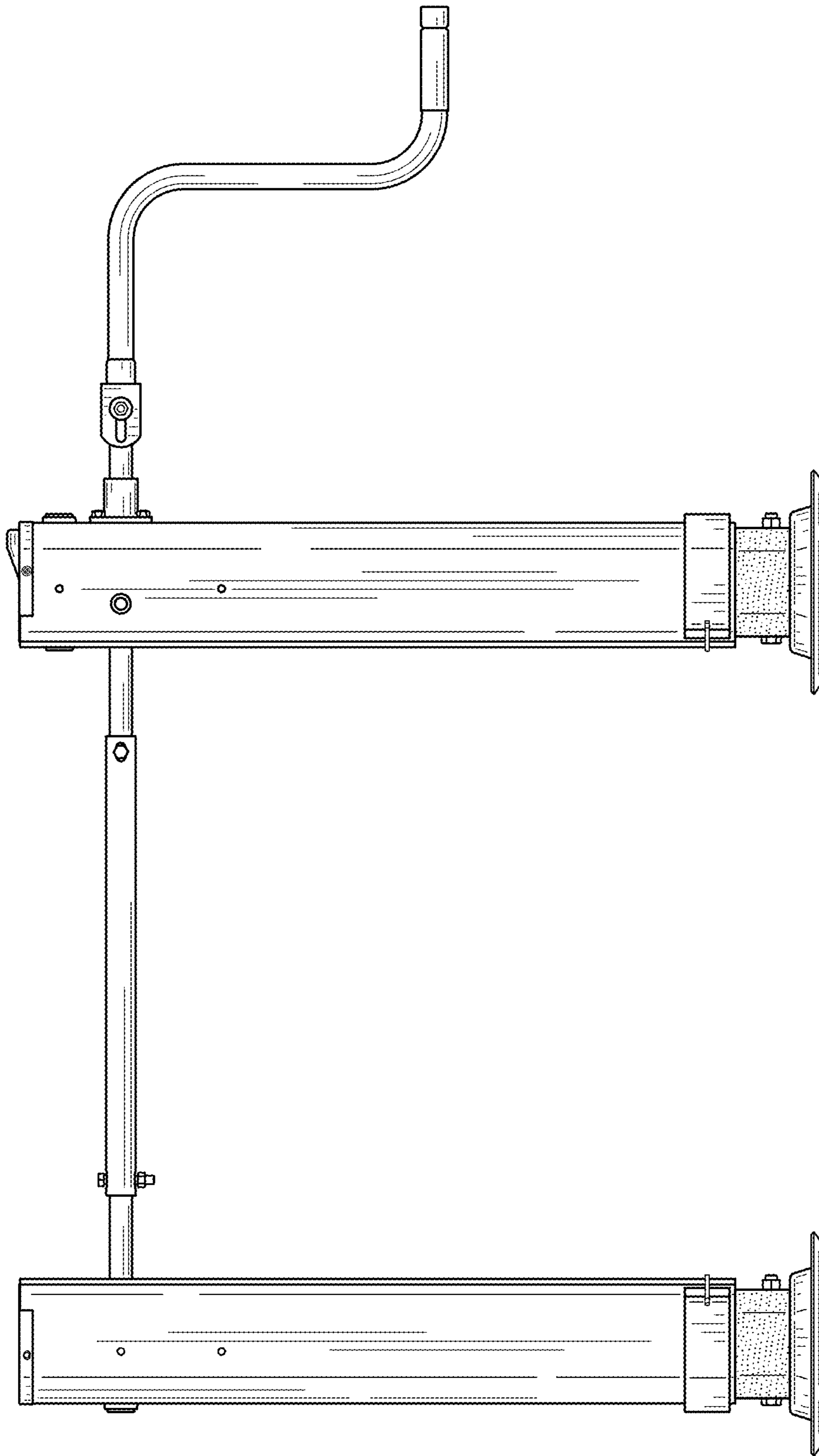


FIG. 3

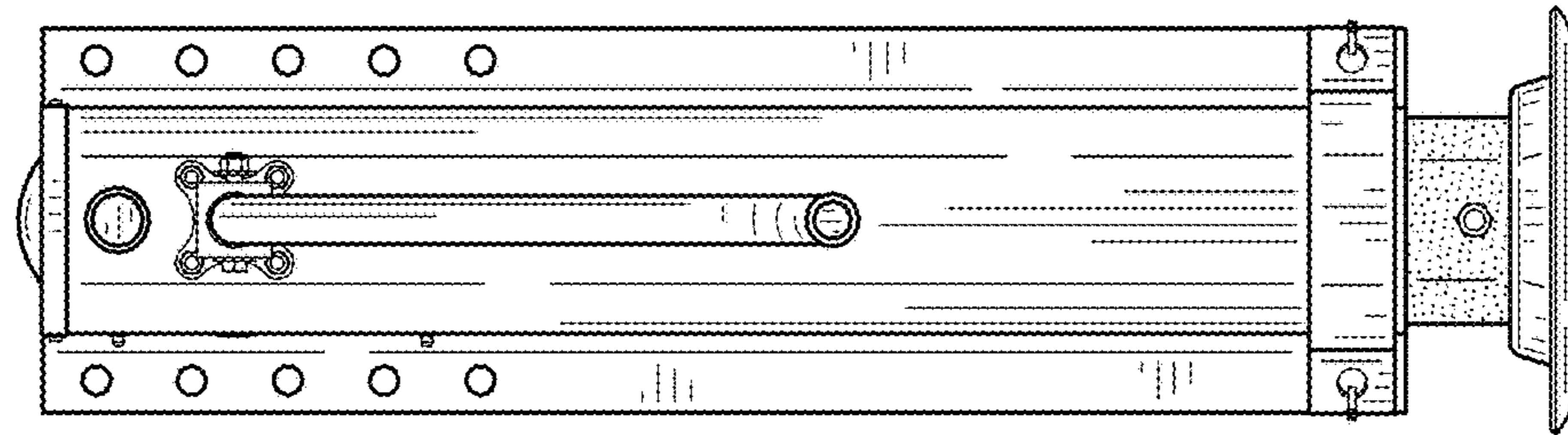


FIG. 5

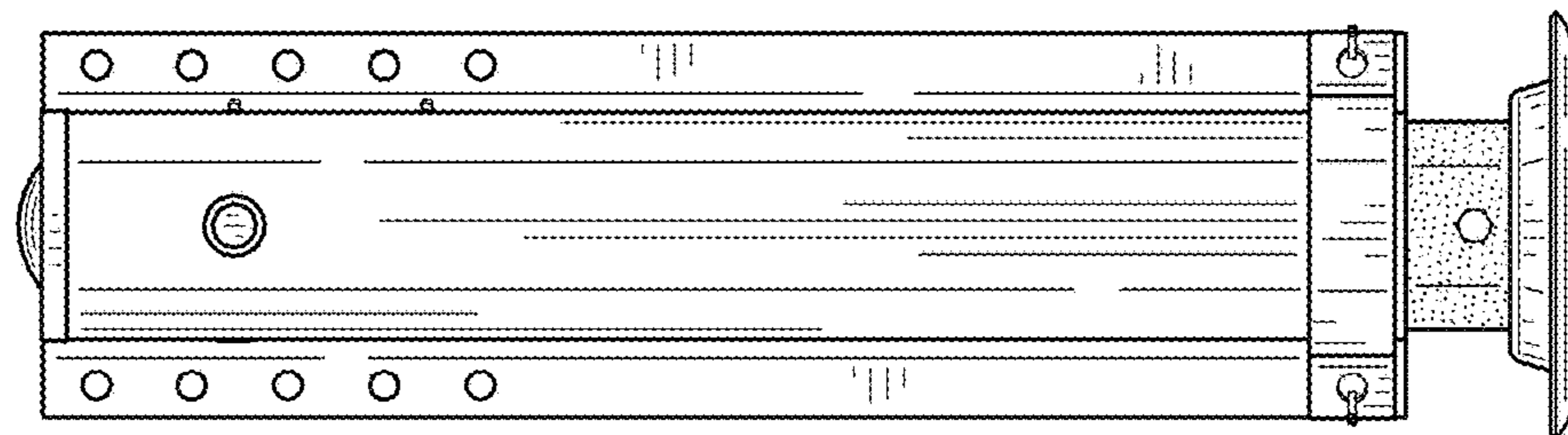


FIG. 4

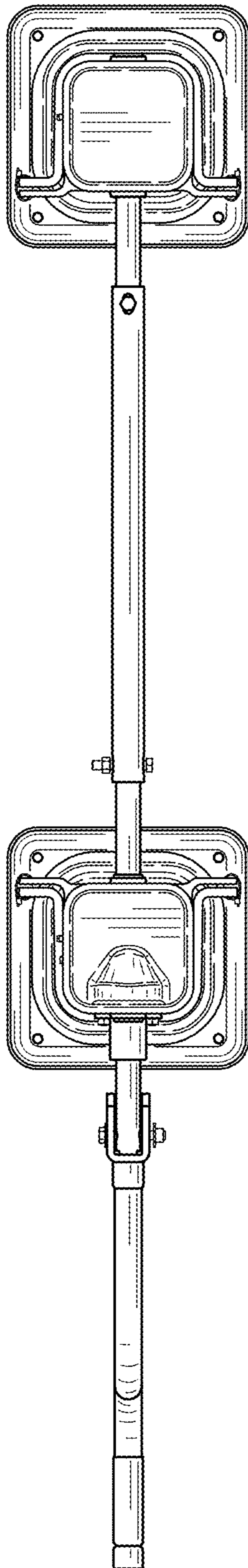


FIG. 6

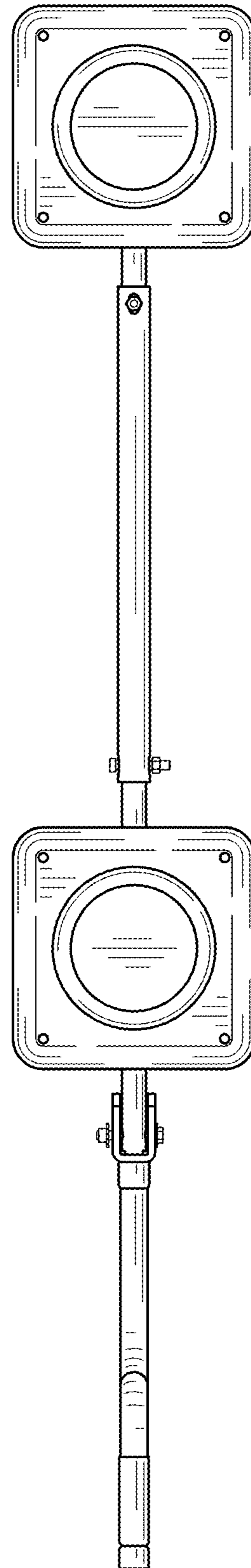
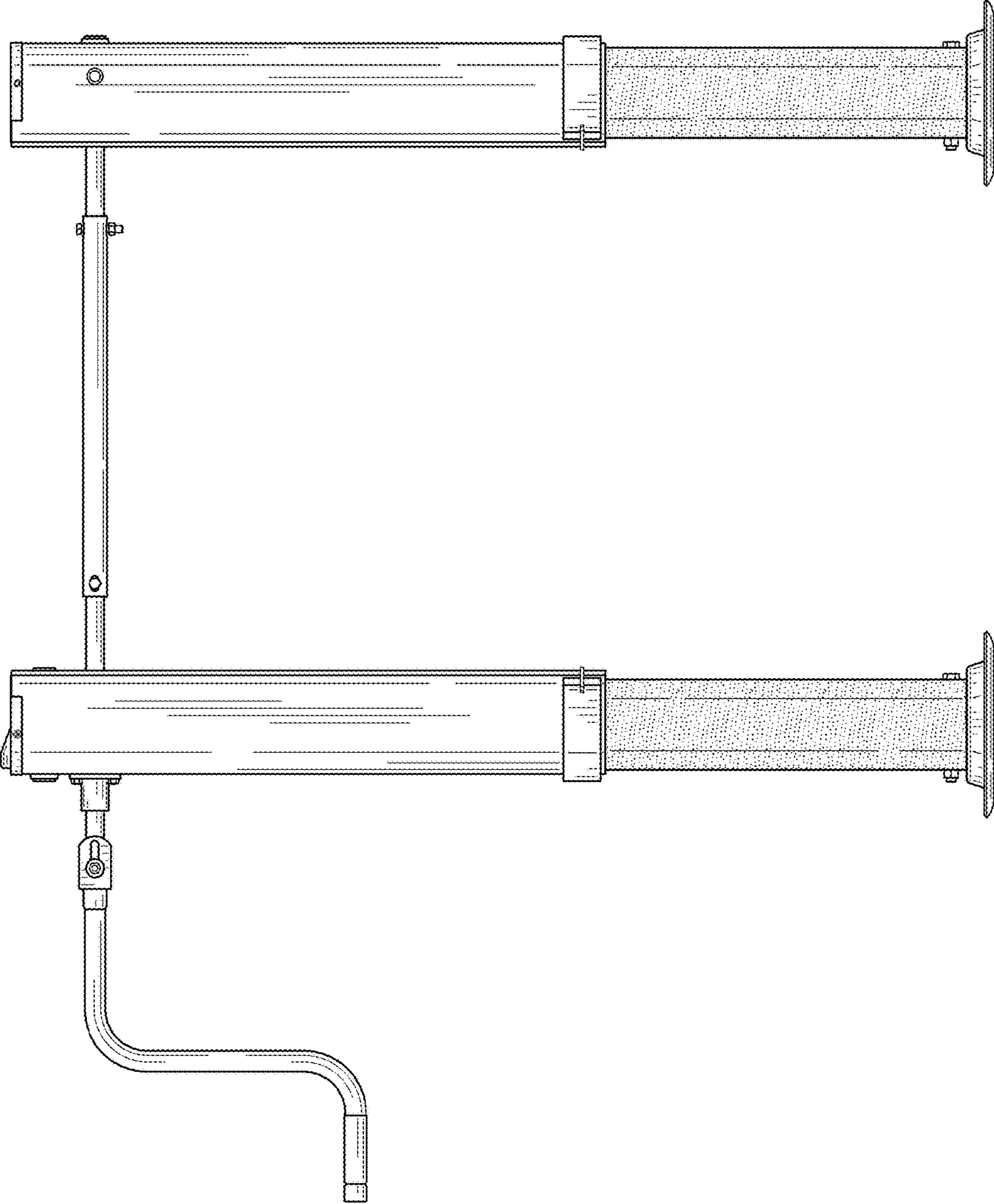


FIG. 7

FIG. 8



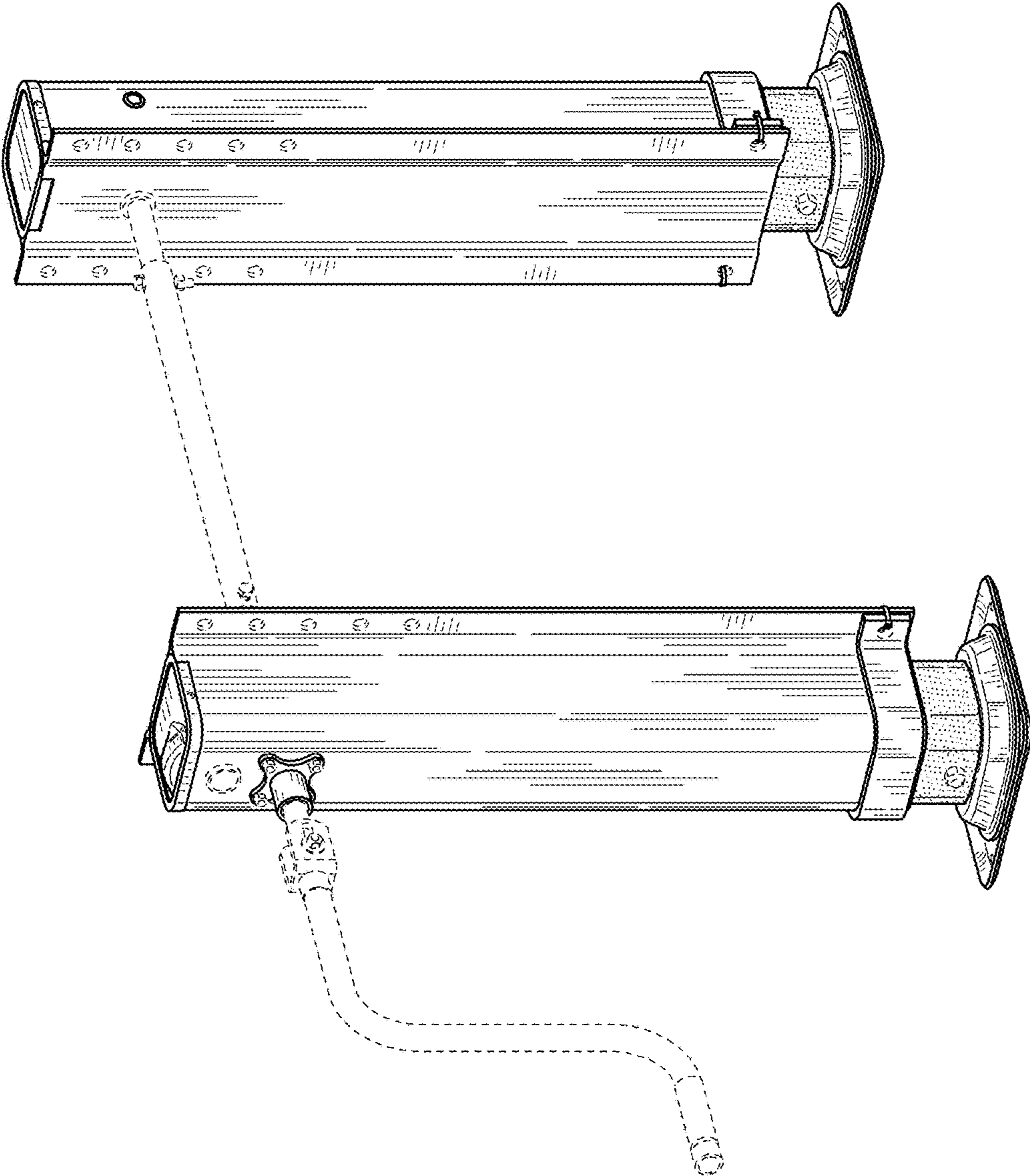


FIG. 9

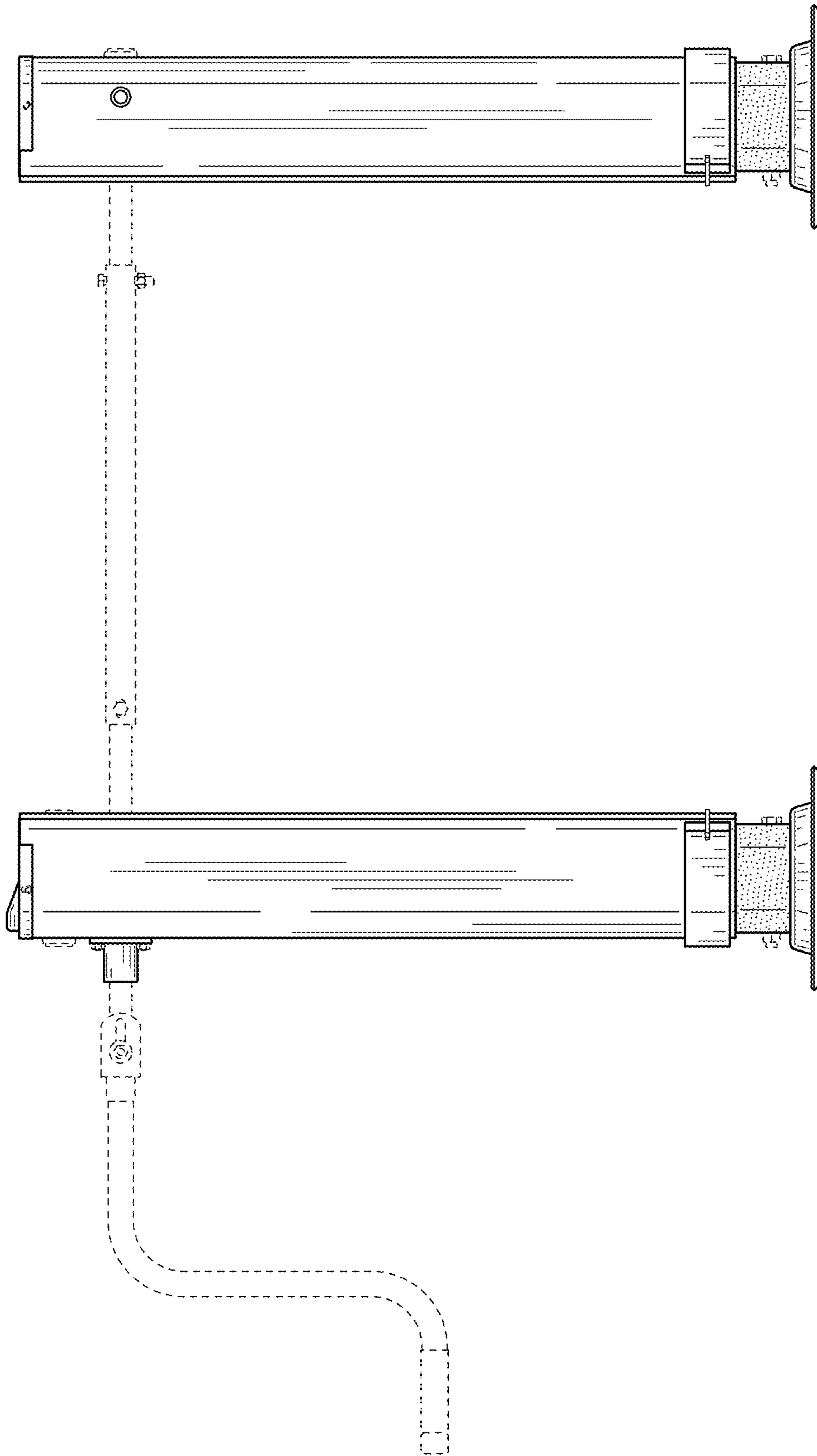


FIG. 10

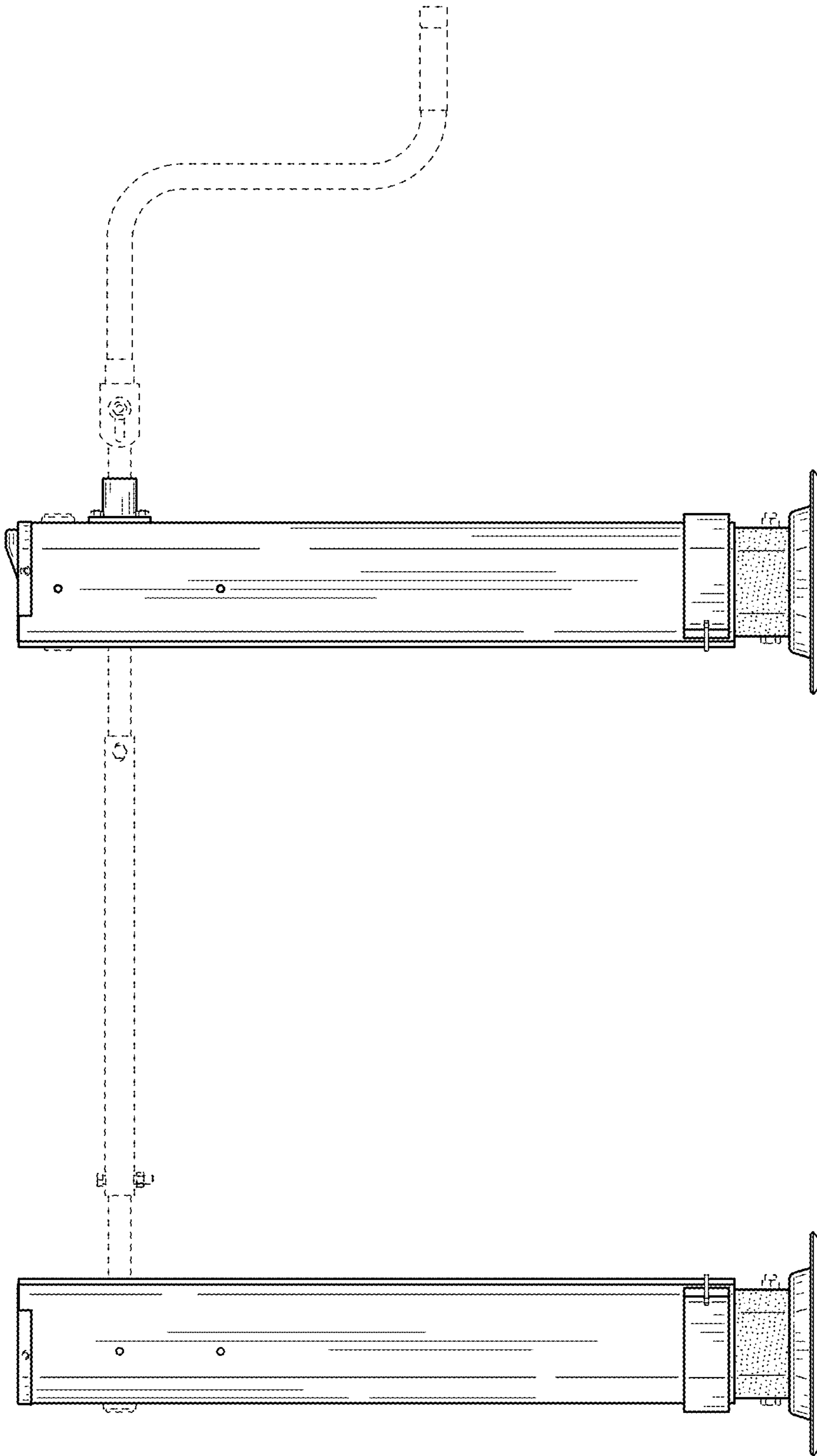


FIG. 11

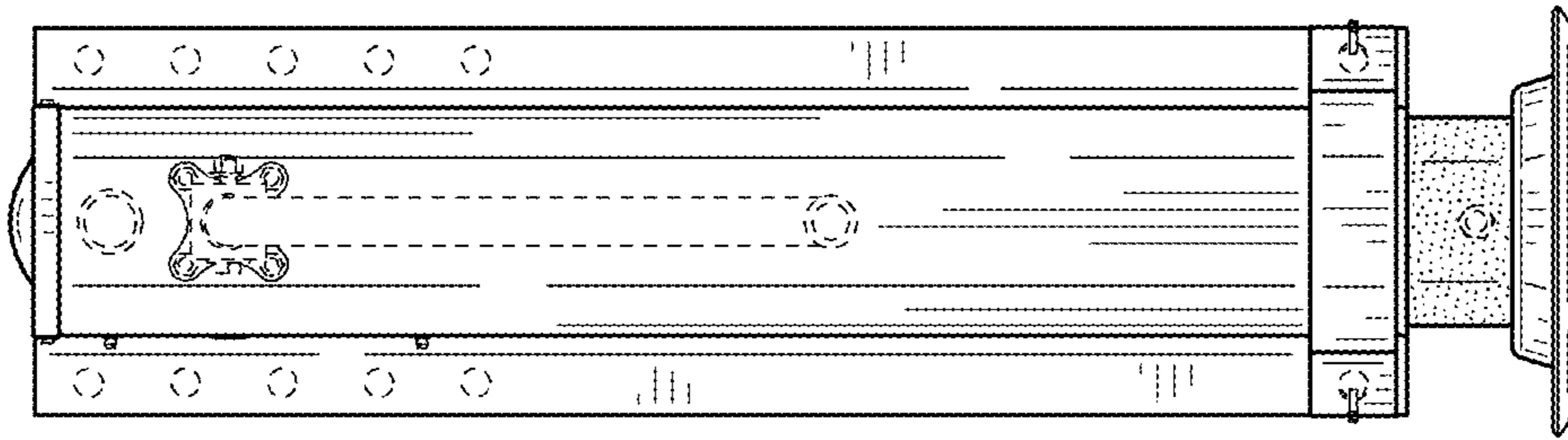


FIG. 13

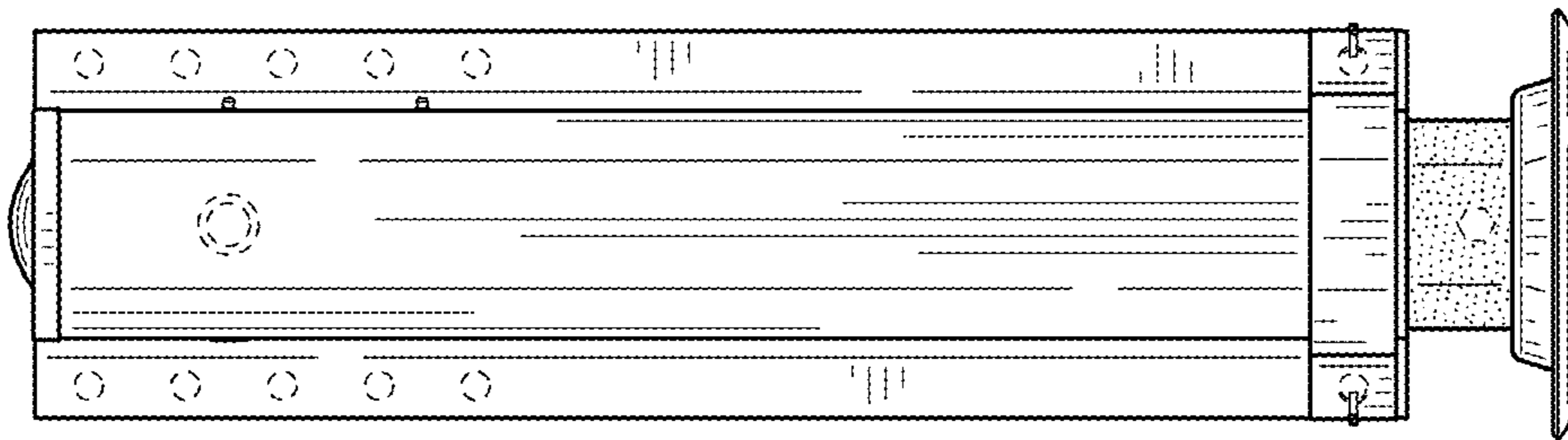


FIG. 12

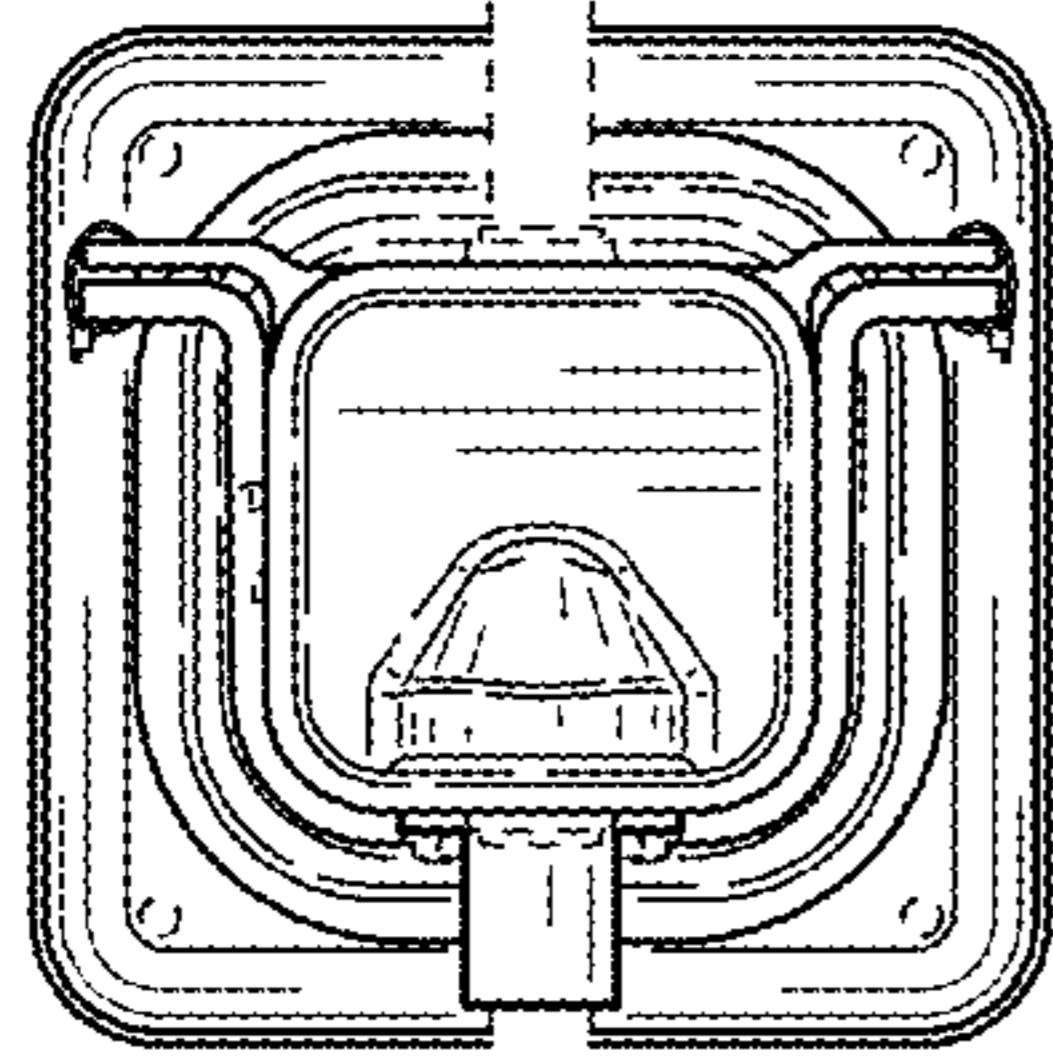
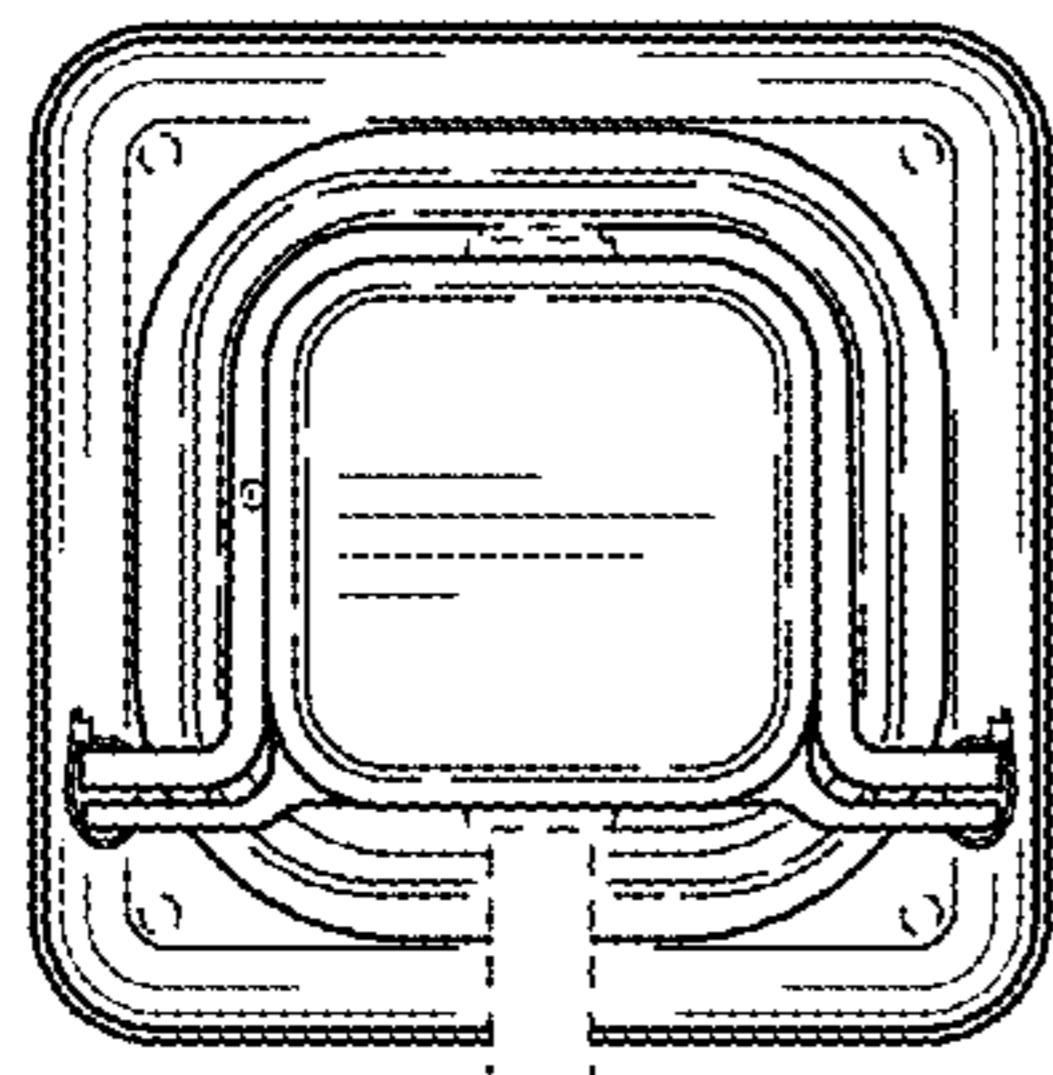


FIG. 14

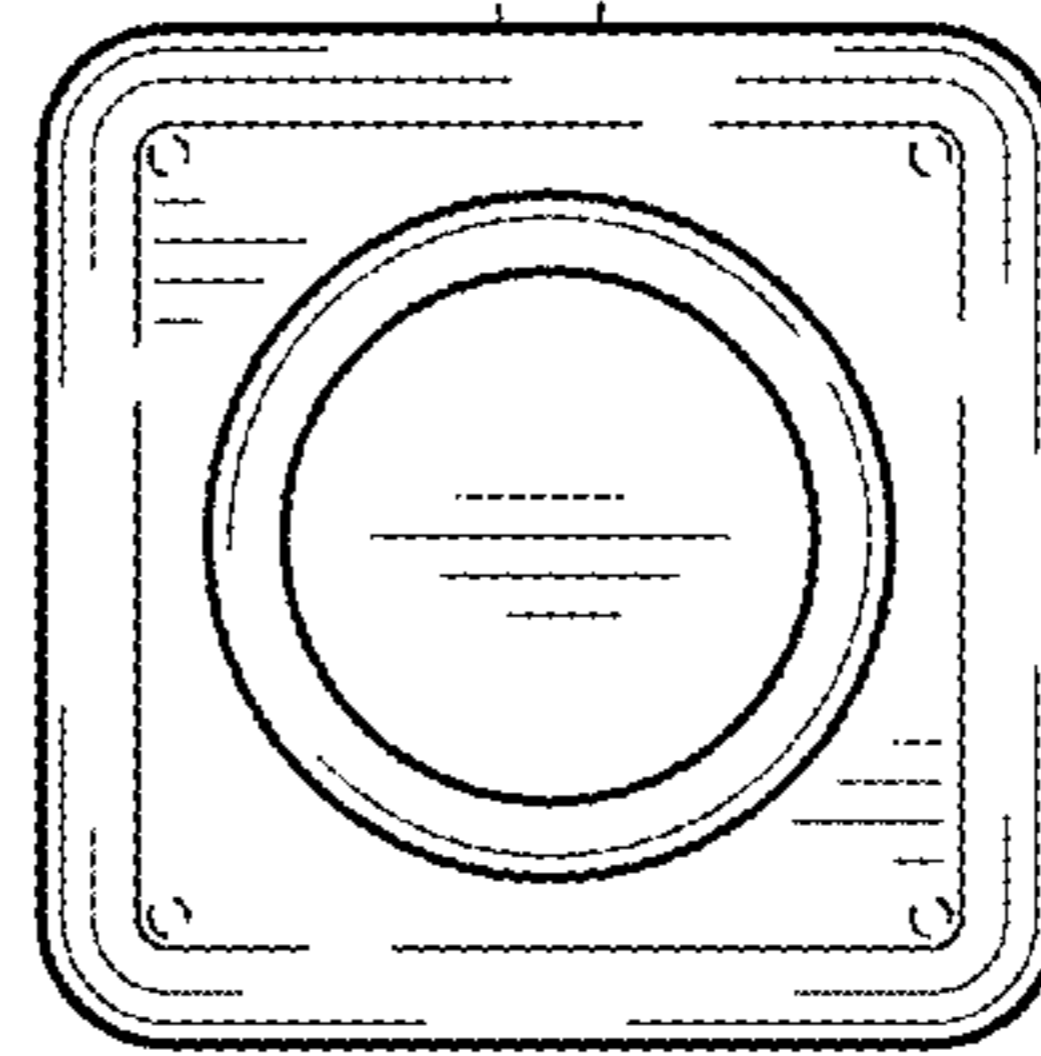
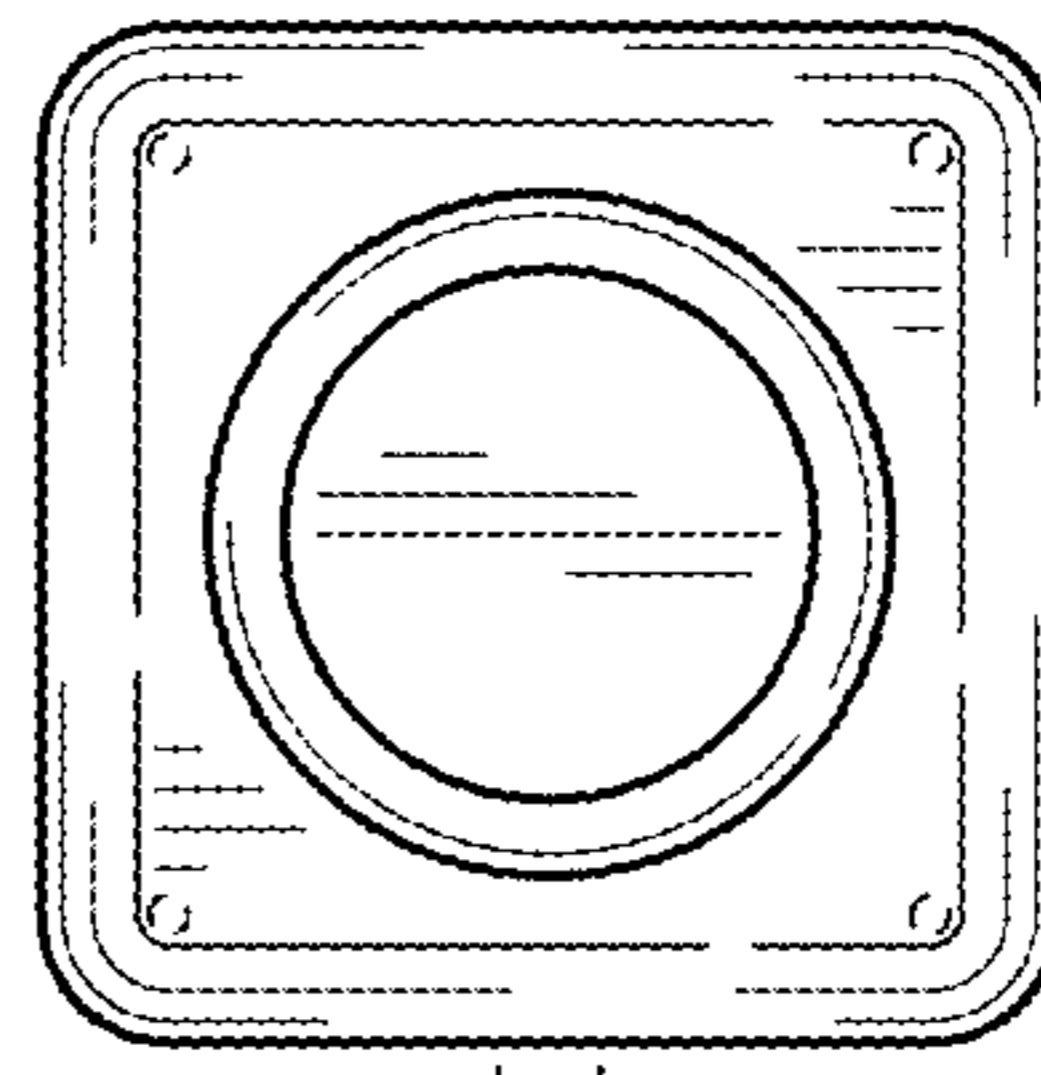


FIG. 15

