



US00D833920S

(12) **United States Design Patent Grant** (10) **Patent No.:** **US D833,920 S**  
(45) **Date of Patent:** **\*\* Nov. 20, 2018**

- (54) **ELECTRIC WHEELCHAIR**
- (71) Applicant: **Pride Mobility Products Corporation**, Exeter, PA (US)
- (72) Inventor: **Michael A. Grant**, Jermyn, PA (US)
- (73) Assignee: **Pride Mobility Products Corporation**, Exeter, PA (US)
- (\*\*) Term: **15 Years**
- (21) Appl. No.: **29/637,424**
- (22) Filed: **Feb. 19, 2018**

**Related U.S. Application Data**

- (63) Continuation of application No. 29/606,117, filed on Jun. 1, 2017.
- (51) **LOC (11) Cl.** ..... **12-12**
- (52) **U.S. Cl.**  
USPC ..... **D12/133**
- (58) **Field of Classification Search**  
USPC ..... D12/128–133  
CPC ..... A61G 5/04; A61G 5/041–5/047; A61G 2005/048  
See application file for complete search history.

**References Cited**

**U.S. PATENT DOCUMENTS**

D572,175 S *	7/2008	Lai	.....	D12/129
D643,345 S *	8/2011	Barenbrug	.....	D12/129
D745,443 S *	12/2015	Van Olst	.....	D12/133
D746,182 S *	12/2015	Jane Santamaria	.....	D12/133
D746,724 S *	1/2016	Mascull	.....	D12/128
D809,436 S *	2/2018	Tang	.....	D12/129

\* cited by examiner

*Primary Examiner* — Charles D Hanson  
(74) *Attorney, Agent, or Firm* — Morgan, Lewis & Bockius LLP

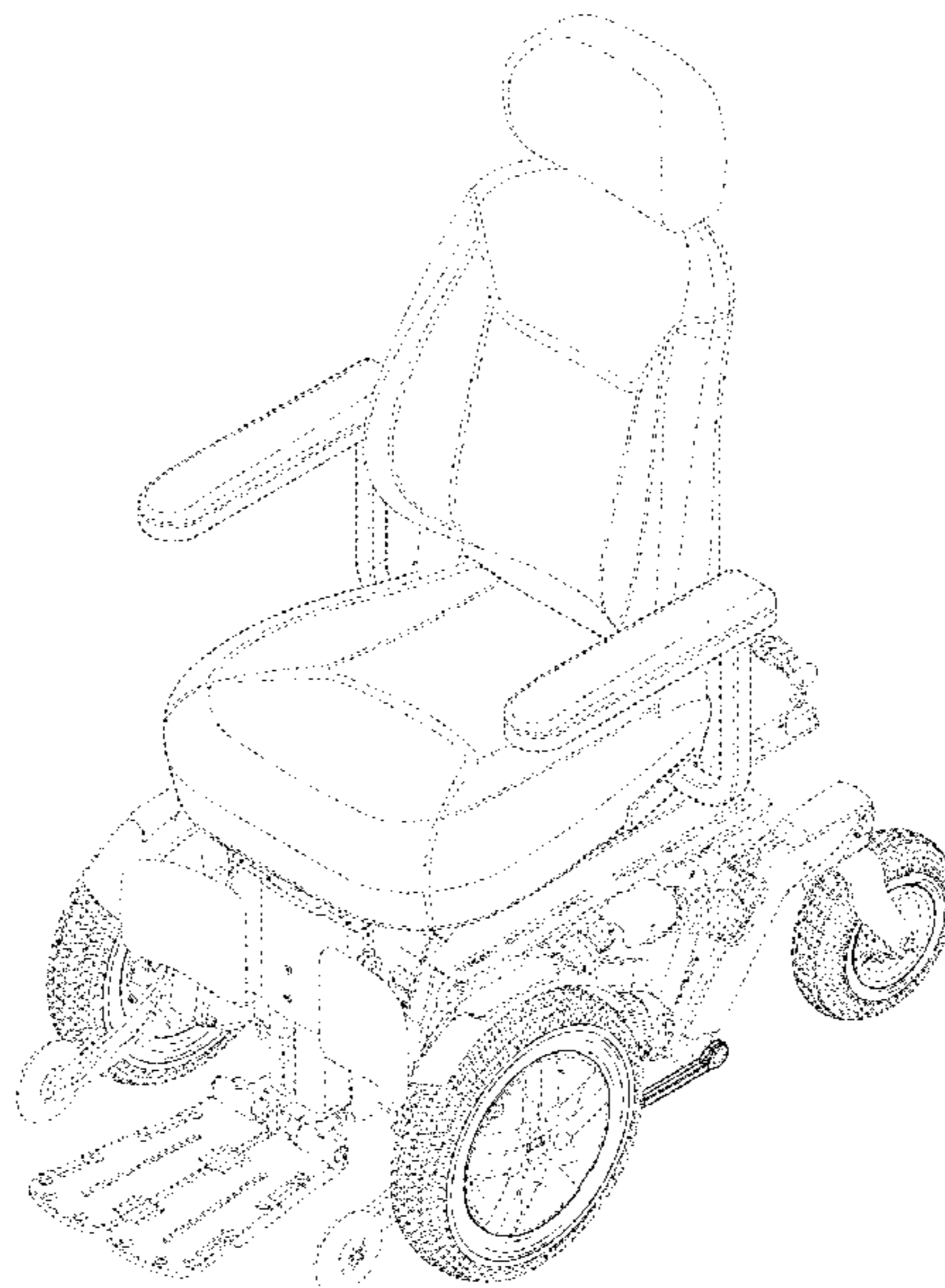
(57) **CLAIM**

The ornamental design for an electric wheelchair, as shown and described.

**DESCRIPTION**

FIG. 1 is a front perspective view of an electric wheelchair showing my new design;  
 FIG. 2 is a rear perspective view of the electric wheelchair shown in FIG. 1;  
 FIG. 3 is a front elevational view of the electric wheelchair shown in FIG. 1;  
 FIG. 4 is a rear elevational view of the electric wheelchair shown in FIG. 1;  
 FIG. 5 is a left-side elevational view of the electric wheelchair shown in FIG. 1;  
 FIG. 6 is a right-side elevational view of the electric wheelchair shown in FIG. 1;  
 FIG. 7 is a top plan view of the electric wheelchair shown in FIG. 1;  
 FIG. 8 is a bottom plan view of the electric wheelchair shown in FIG. 1;  
 FIG. 9 is an enlarged rear perspective view of the tie-rod of the electric wheelchair shown in FIG. 2; and,  
 FIG. 10 is an enlarged side view of the tie-rod of the electric wheelchair shown in FIG. 6.  
 The broken lines immediately adjacent the shaded areas represent the bounds of the claimed design while all other broken lines are directed to environment and are for illustrative purposes only; the broken lines form no part of the claimed design.

**1 Claim, 10 Drawing Sheets**



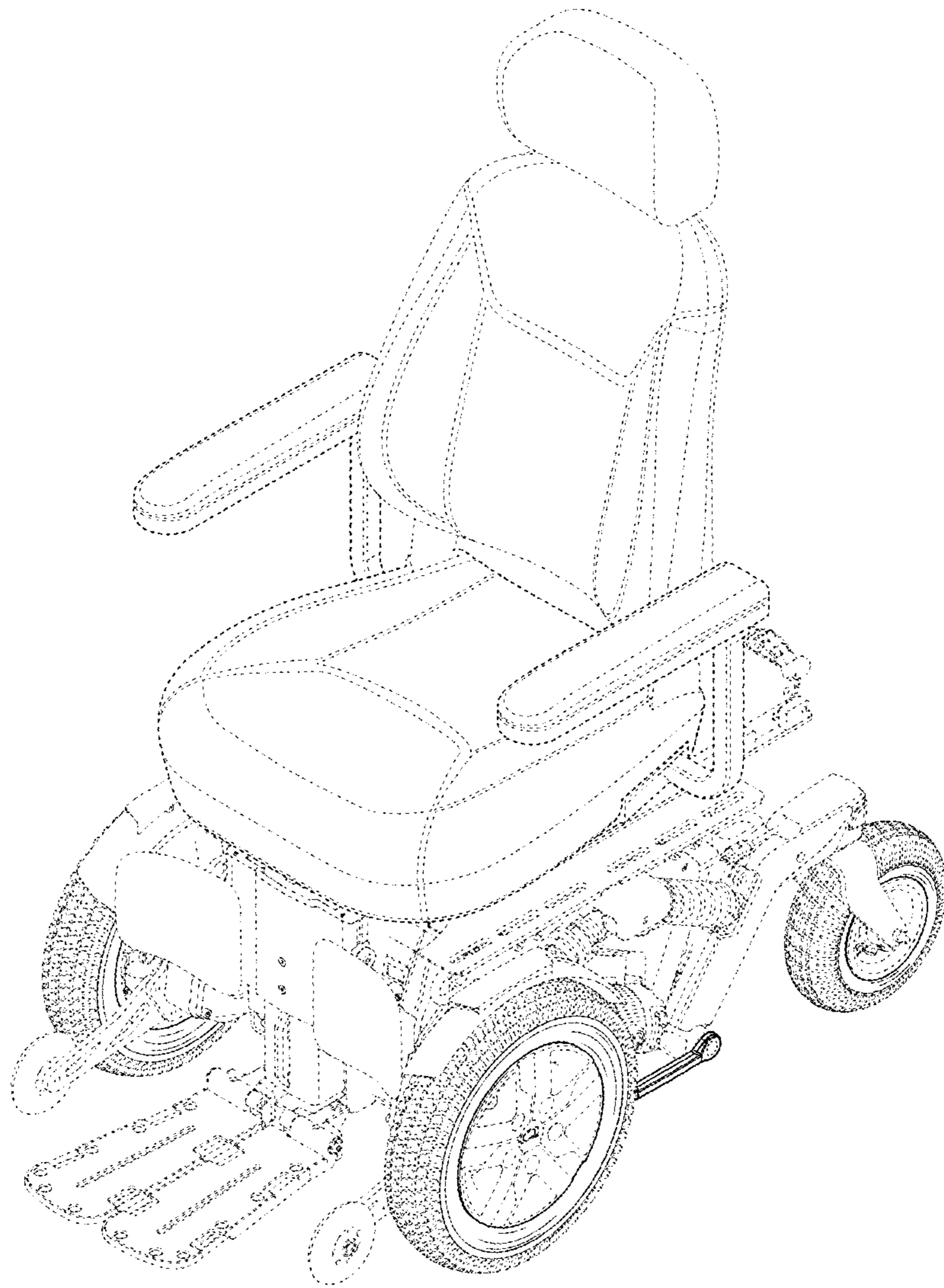


FIG. 1

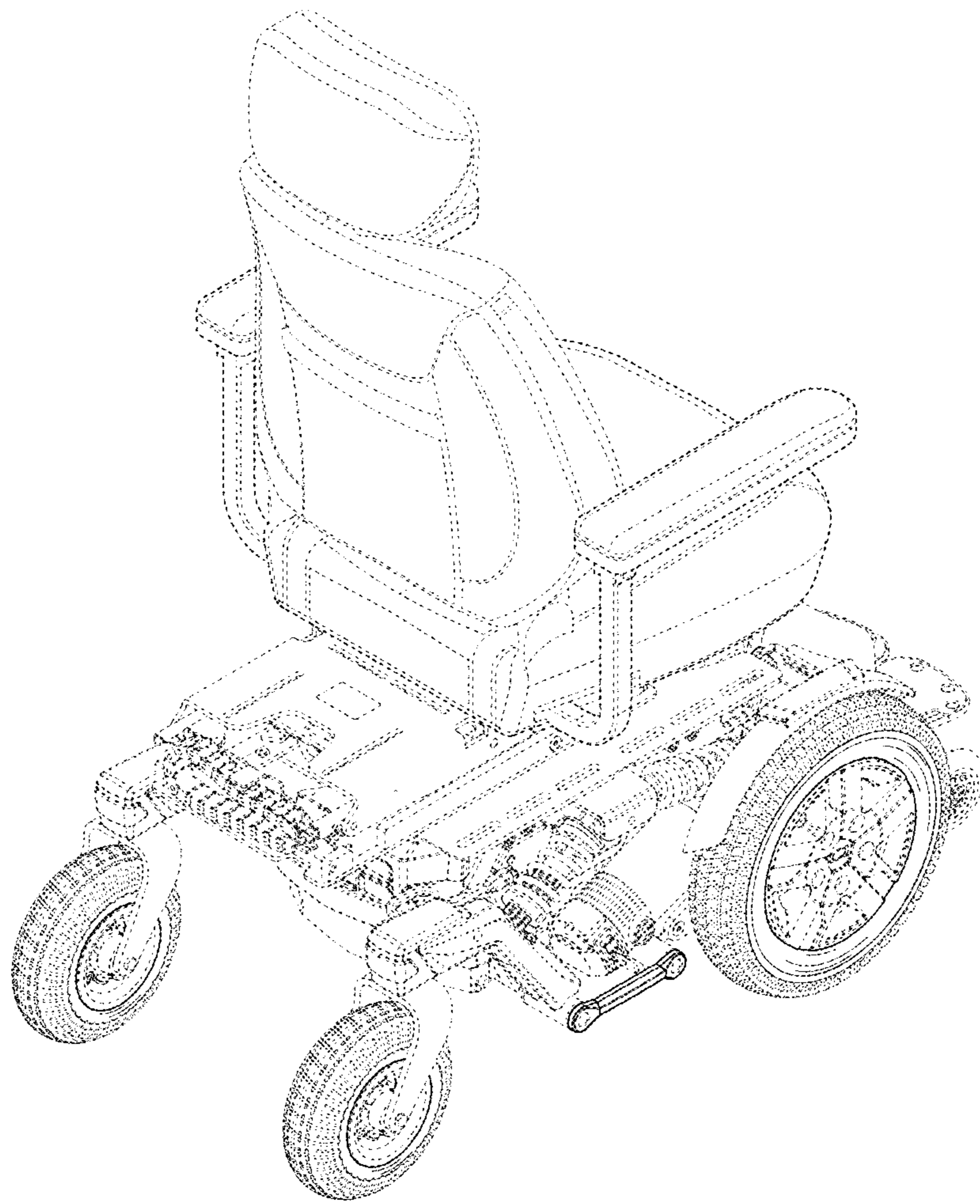


FIG. 2

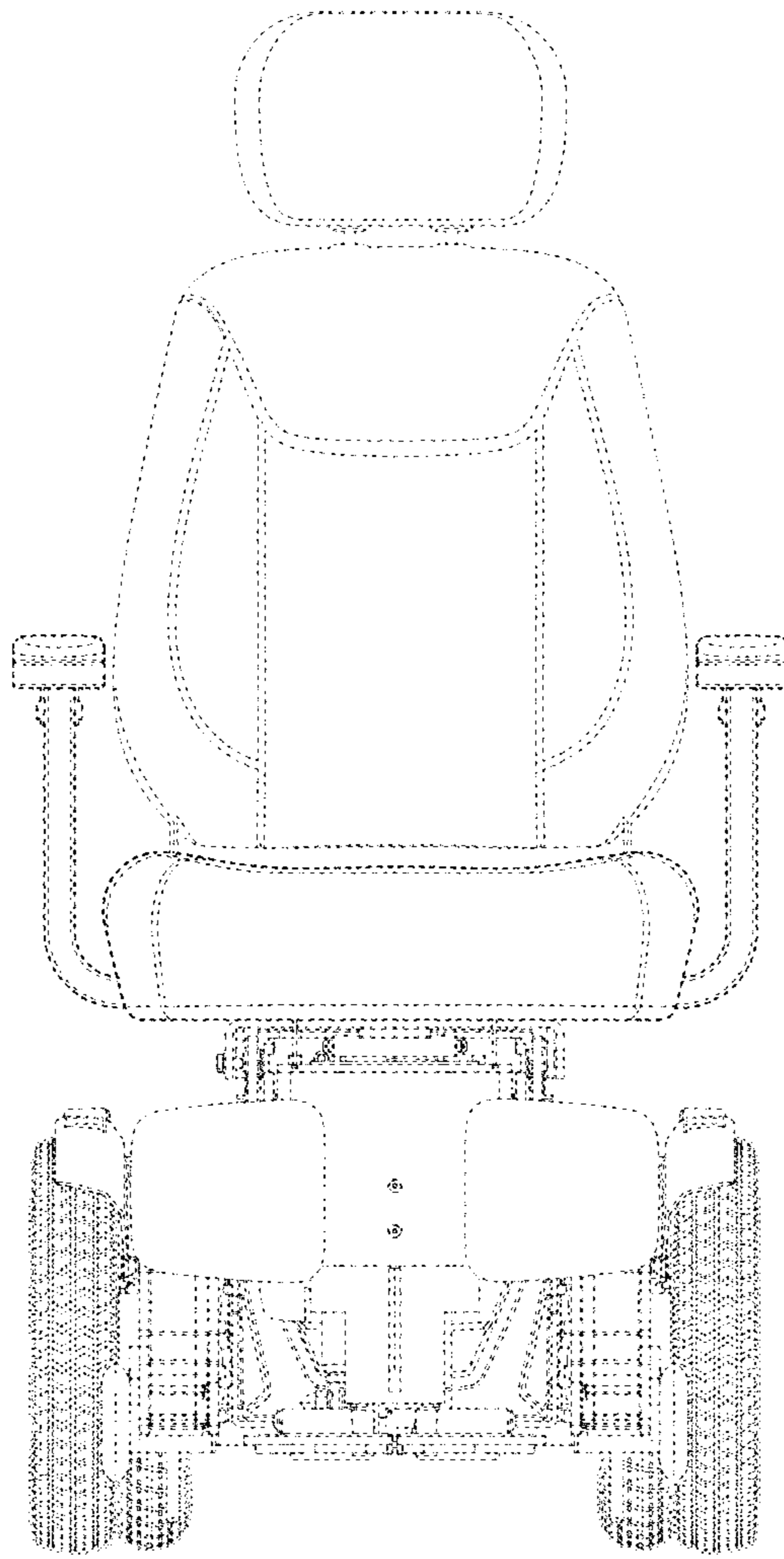


FIG. 3

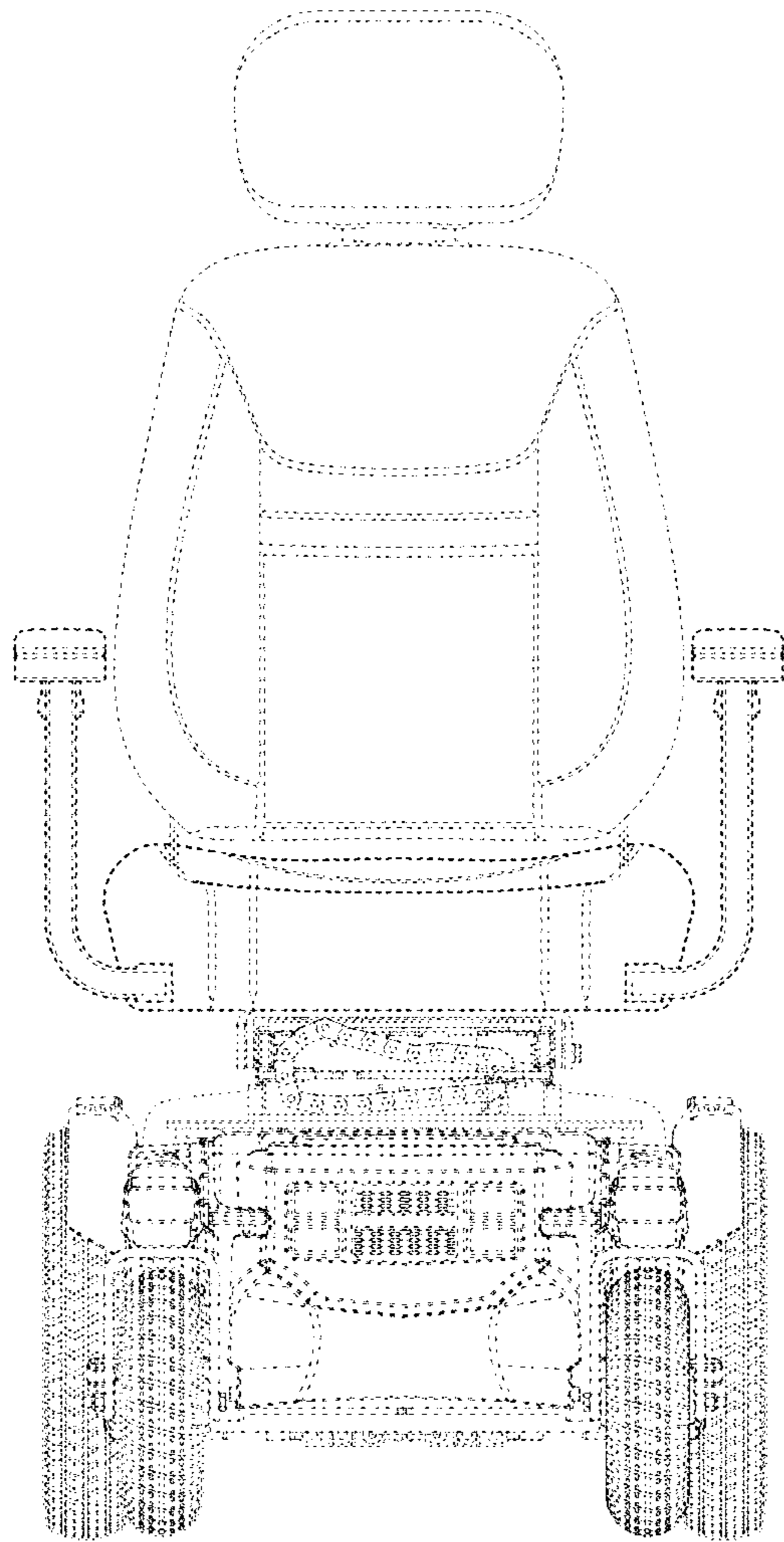


FIG. 4

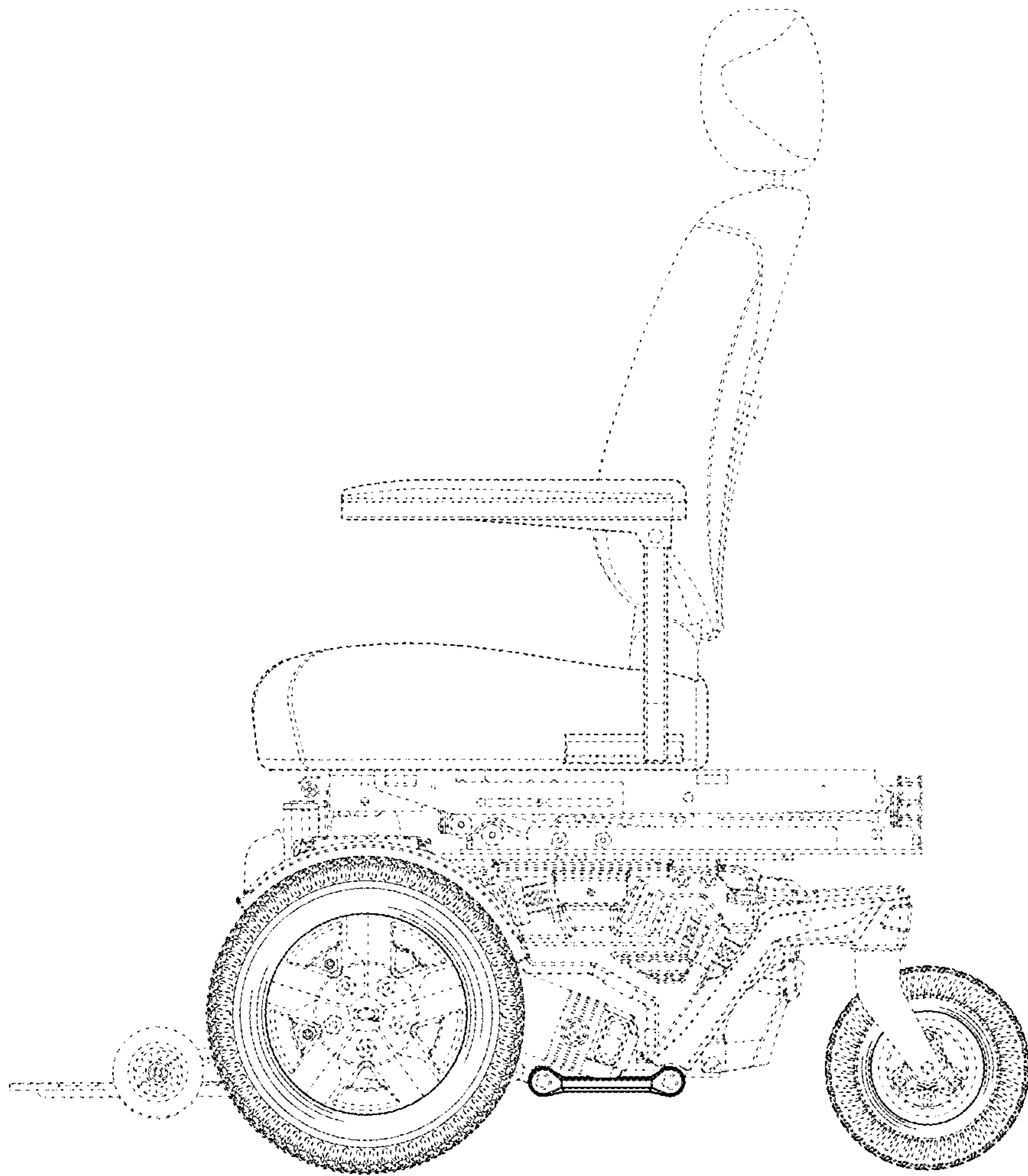


FIG. 5

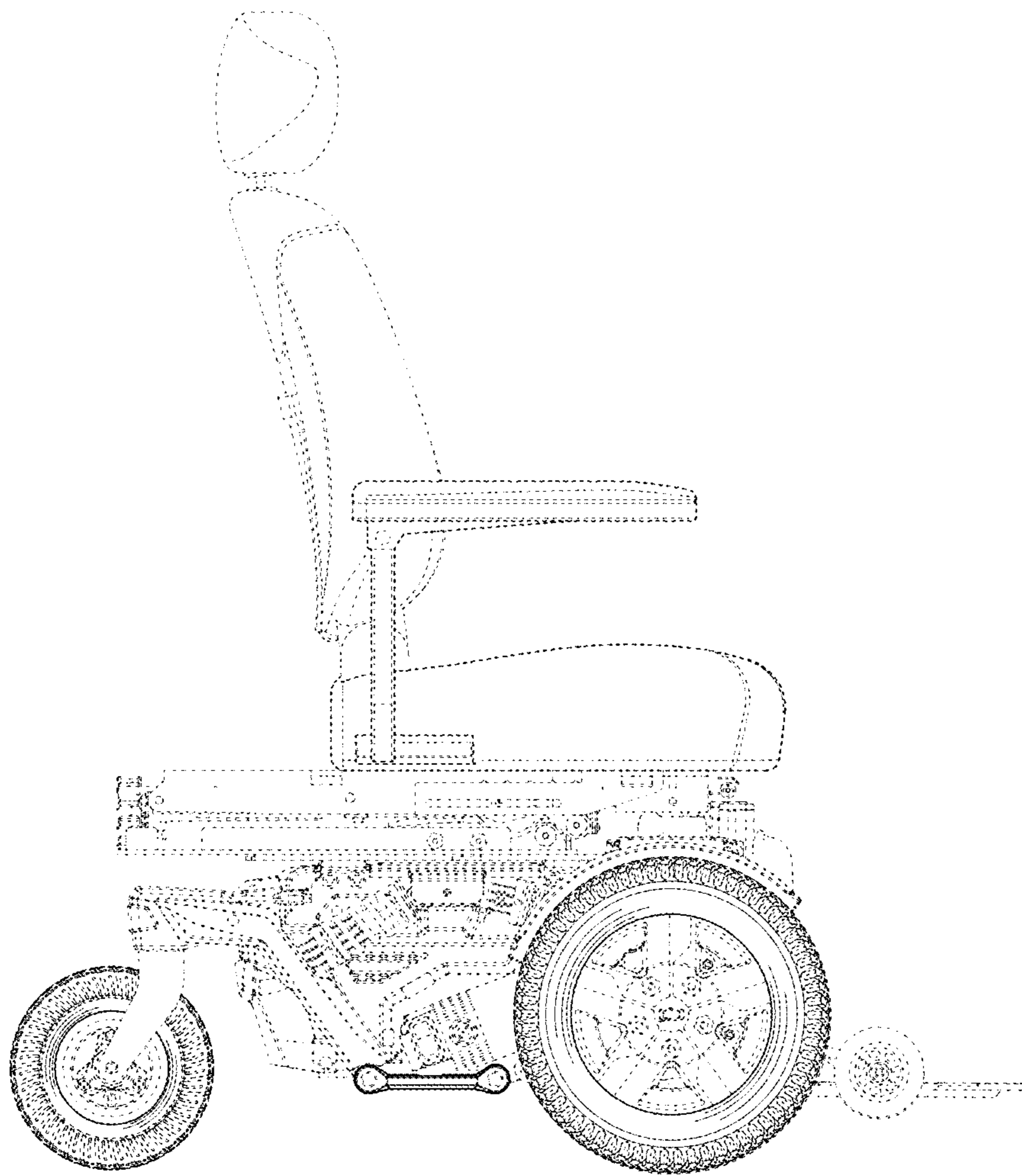


FIG. 6

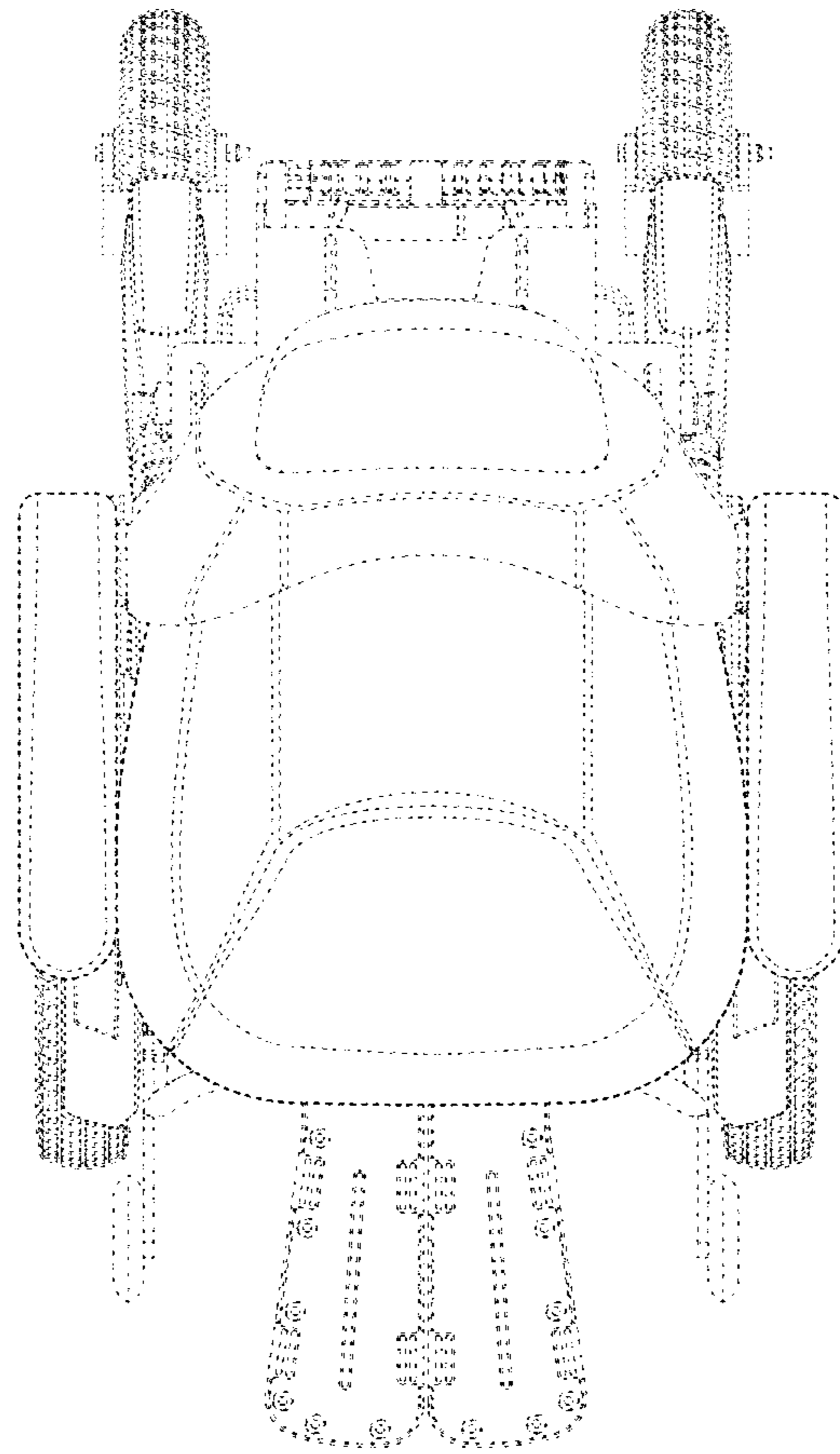


FIG. 7



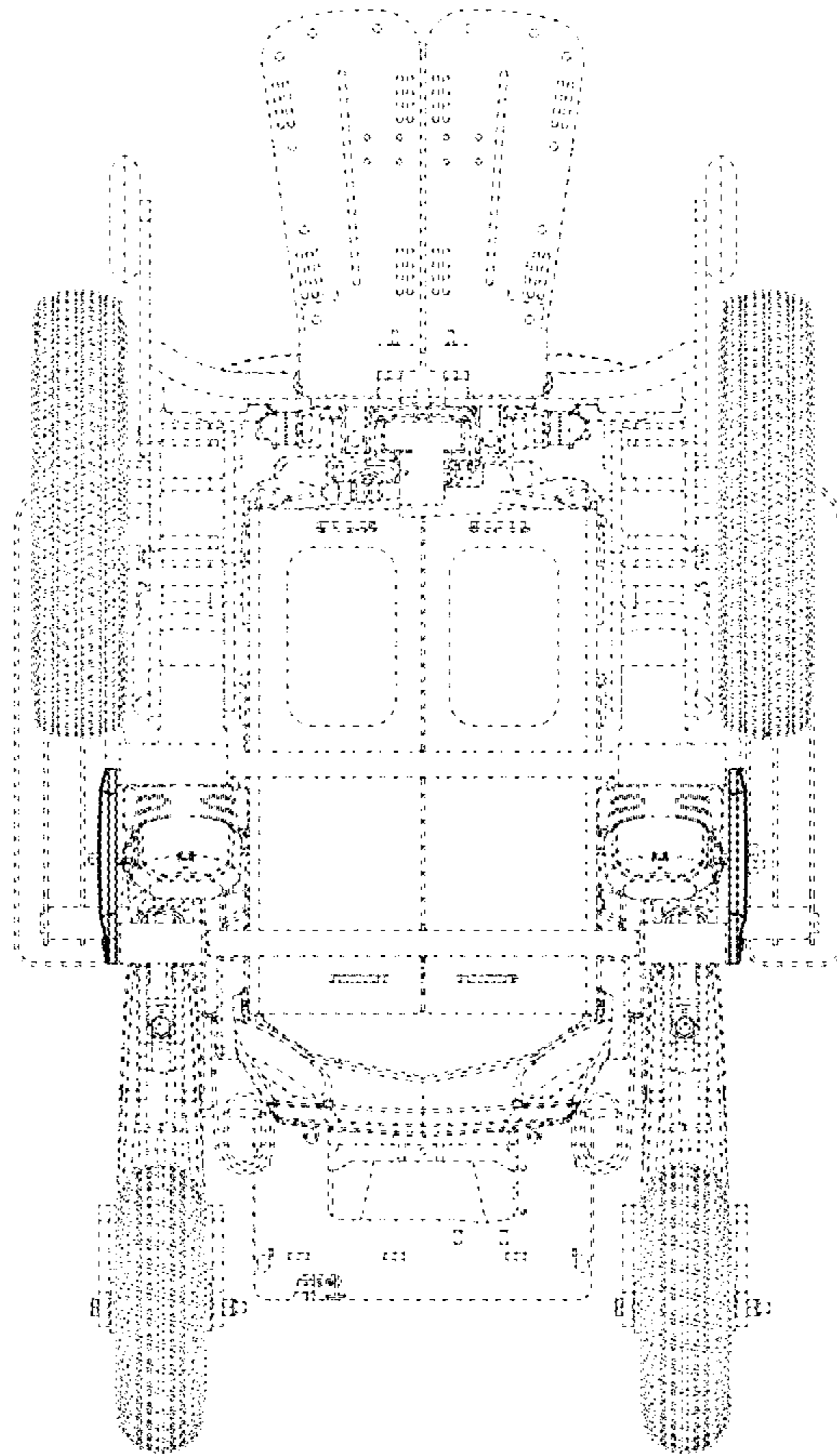


FIG. 8

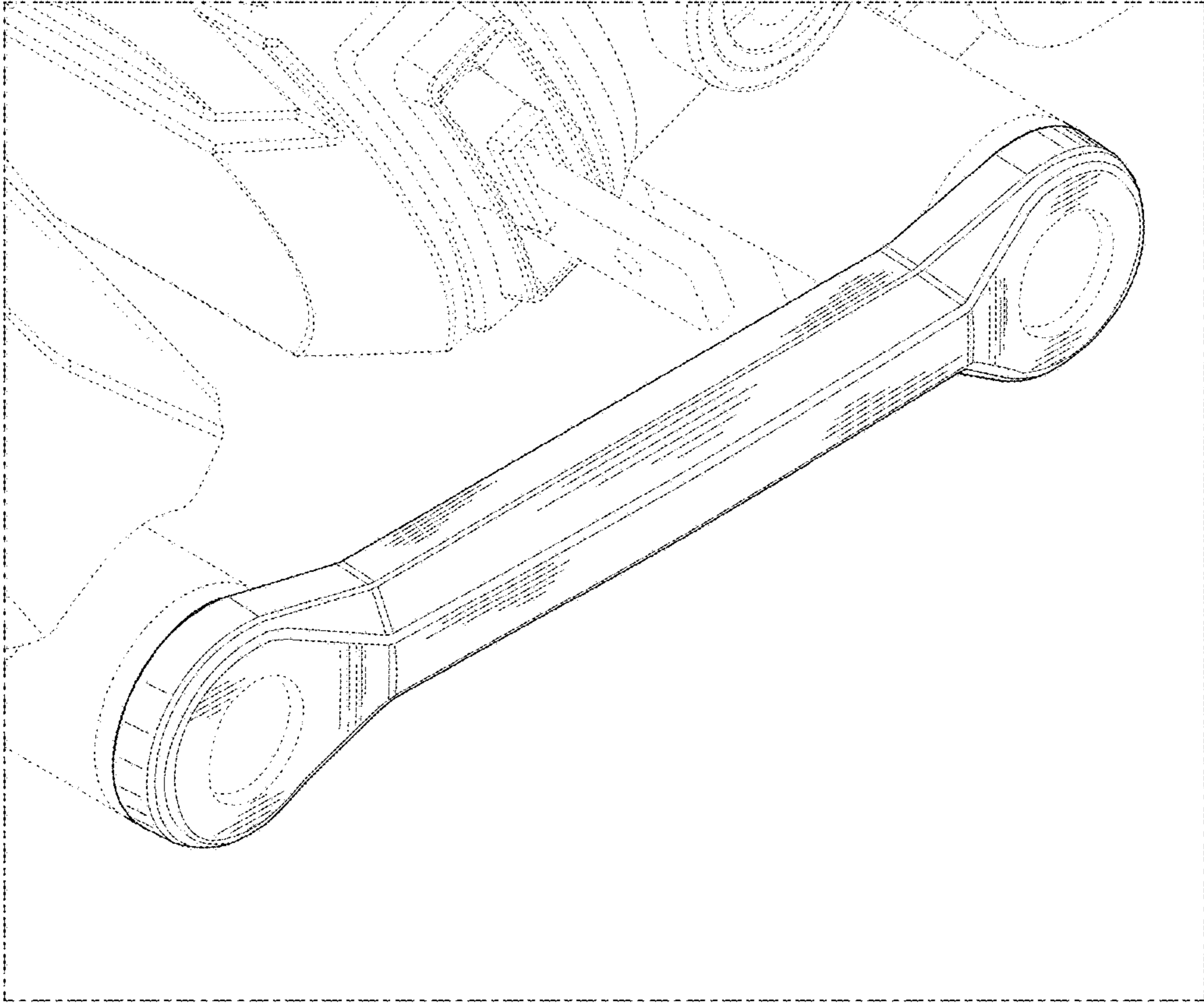


FIG. 9

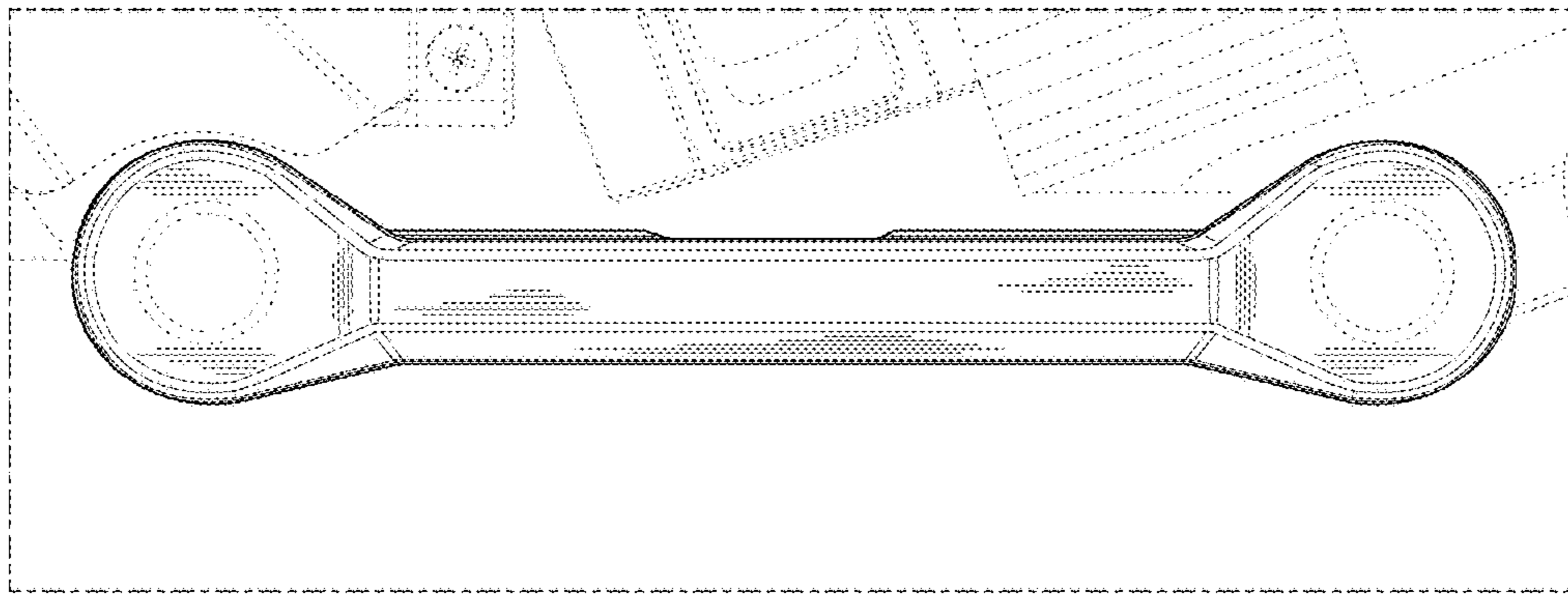


FIG. 10