



US00D833919S

(12) **United States Design Patent** (10) **Patent No.:** **US D833,919 S**
McCollough et al. (45) **Date of Patent:** **** Nov. 20, 2018**

- (54) **ELECTRIC WHEELCHAIR**
- (71) Applicant: **Pride Mobility Products Corporation**,
Exeter, PA (US)
- (72) Inventors: **Robert McCollough**, West Wyoming,
PA (US); **Kip Darrin Alder**, Harding,
PA (US)
- (73) Assignee: **Pride Mobility Products Corporation**,
Exeter, PA (US)
- (**) Term: **15 Years**
- (21) Appl. No.: **29/635,423**
- (22) Filed: **Jan. 31, 2018**

- D642,499 S 8/2011 Tuckowski
D652,357 S 1/2012 Jurkiewicz
D653,176 S 1/2012 Jurkiewicz
D656,070 S 3/2012 Spalding
D689,412 S 9/2013 Mohan
D689,413 S 9/2013 Mohan

(Continued)

Primary Examiner — Charles D Hanson
(74) *Attorney, Agent, or Firm* — Morgan, Lewis &
Bockius LLP

(57) **CLAIM**

The ornamental design for an electric wheelchair, as shown and described.

DESCRIPTION

FIG. 1 is a front, top, left perspective view of an electric wheelchair showing our new design;
FIG. 2 is a rear, top, right perspective view of the electric wheelchair shown in FIG. 1;
FIG. 3 a front elevational view of the electric wheelchair shown in FIG. 1;
FIG. 4 is a rear elevational view of the electric wheelchair shown in FIG. 1;
FIG. 5 is a left-side elevational view of the electric wheelchair shown in FIG. 1;
FIG. 6 is a right-side elevational view of the electric wheelchair shown in FIG. 1;
FIG. 7 is a top plan view of the electric wheelchair shown in FIG. 1;
FIG. 8 is a top plan view of the electric wheelchair shown in FIG. 1 with the seat removed; and,
FIG. 9 is a bottom plan view of the electric wheelchair shown in FIG. 1.

The broken lines immediately adjacent the shaded areas represent the bounds of the claimed design while all other broken lines are directed to environment and are for illustrative purposes only; the broken lines form no part of the claimed design.

1 Claim, 9 Drawing Sheets

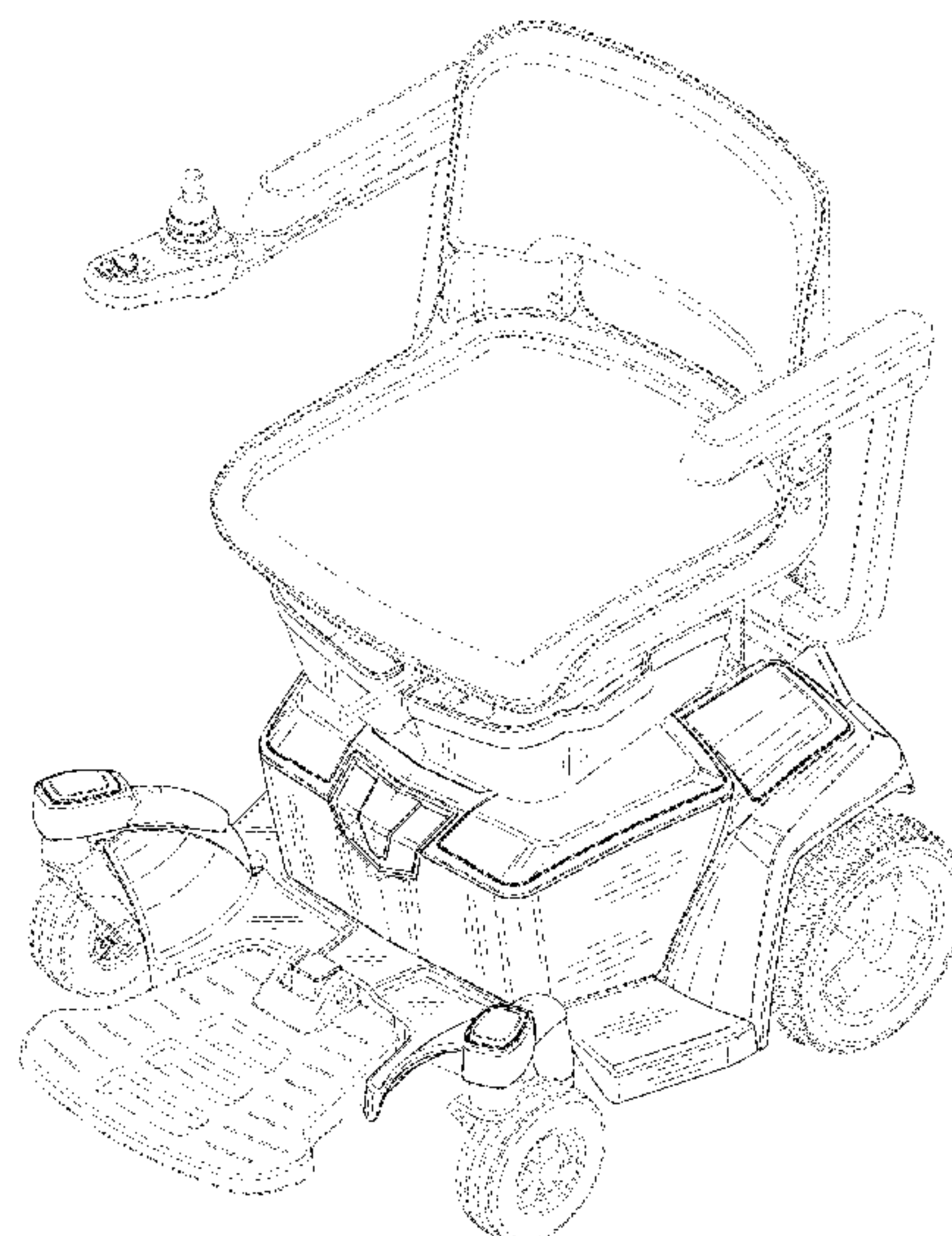
Related U.S. Application Data

- (63) Continuation of application No. 29/580,832, filed on Oct. 13, 2016, now Pat. No. Des. 811,279.
- (51) **LOC (11) Cl.** **12-12**
- (52) **U.S. Cl.**
USPC **D12/131**
- (58) **Field of Classification Search**
USPC D12/128–133
CPC A61G 5/04; A61G 5/041–5/047; A61G 2005/048
See application file for complete search history.

References Cited

U.S. PATENT DOCUMENTS

- D511,720 S * 11/2005 Chen D12/128
D526,938 S * 8/2006 Nagel D12/128
D561,066 S 2/2008 Cheng
D576,920 S * 9/2008 Yang D12/107
D600,169 S 9/2009 Chiu
D611,392 S * 3/2010 Carlton D12/128
D612,303 S * 3/2010 Carlton D12/128
D635,492 S 4/2011 Art
D635,493 S 4/2011 Art



(56)

References Cited

U.S. PATENT DOCUMENTS

D720,659 S	1/2015	Tuckowski	
D720,661 S *	1/2015	Siao	D12/131
D720,663 S	1/2015	Spalding	
D787,382 S *	5/2017	Elon	D12/133
D808,868 S *	1/2018	Cheng	D12/128
D813,105 S *	3/2018	McCollough	D12/128
D820,734 S *	6/2018	McCollough	D12/128

* cited by examiner

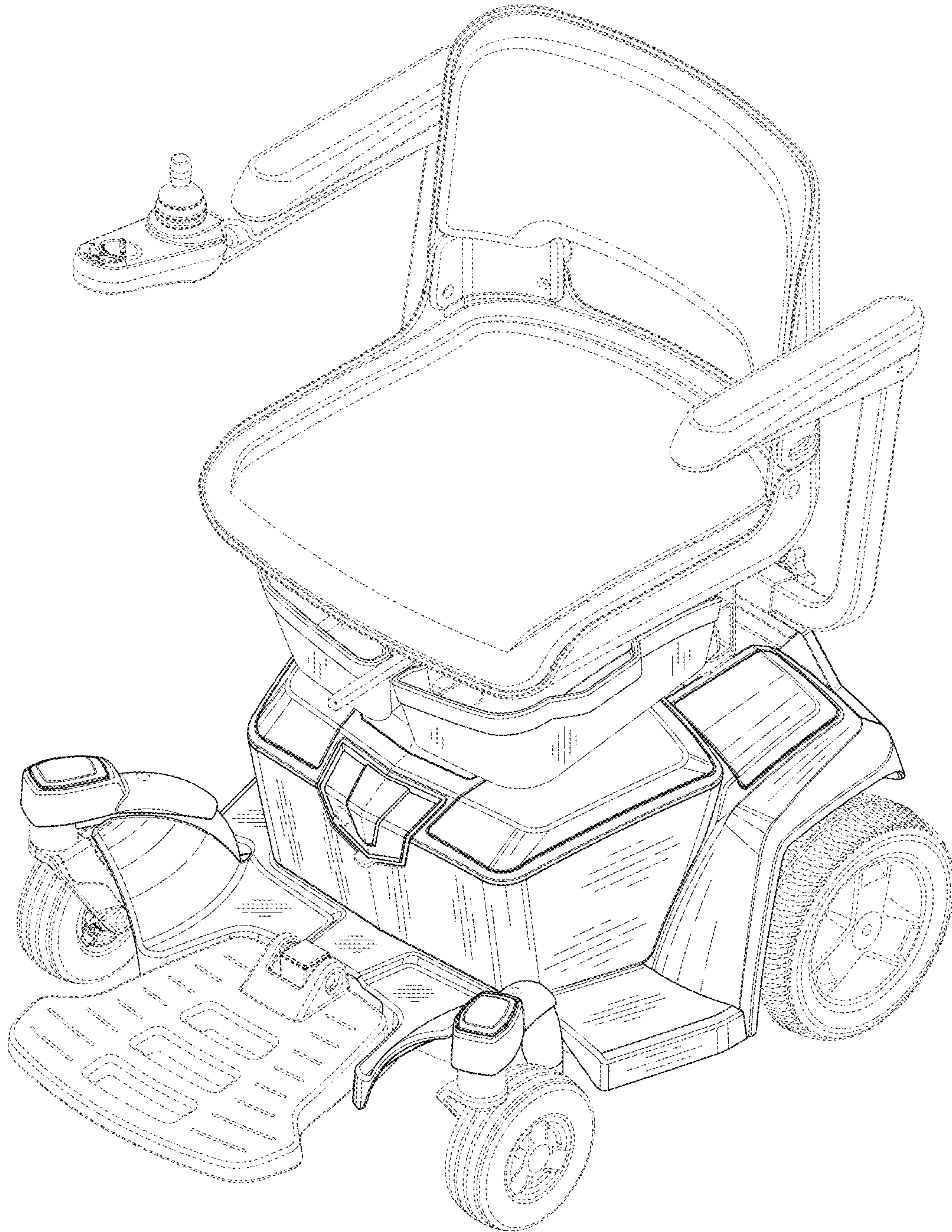


FIG. 1

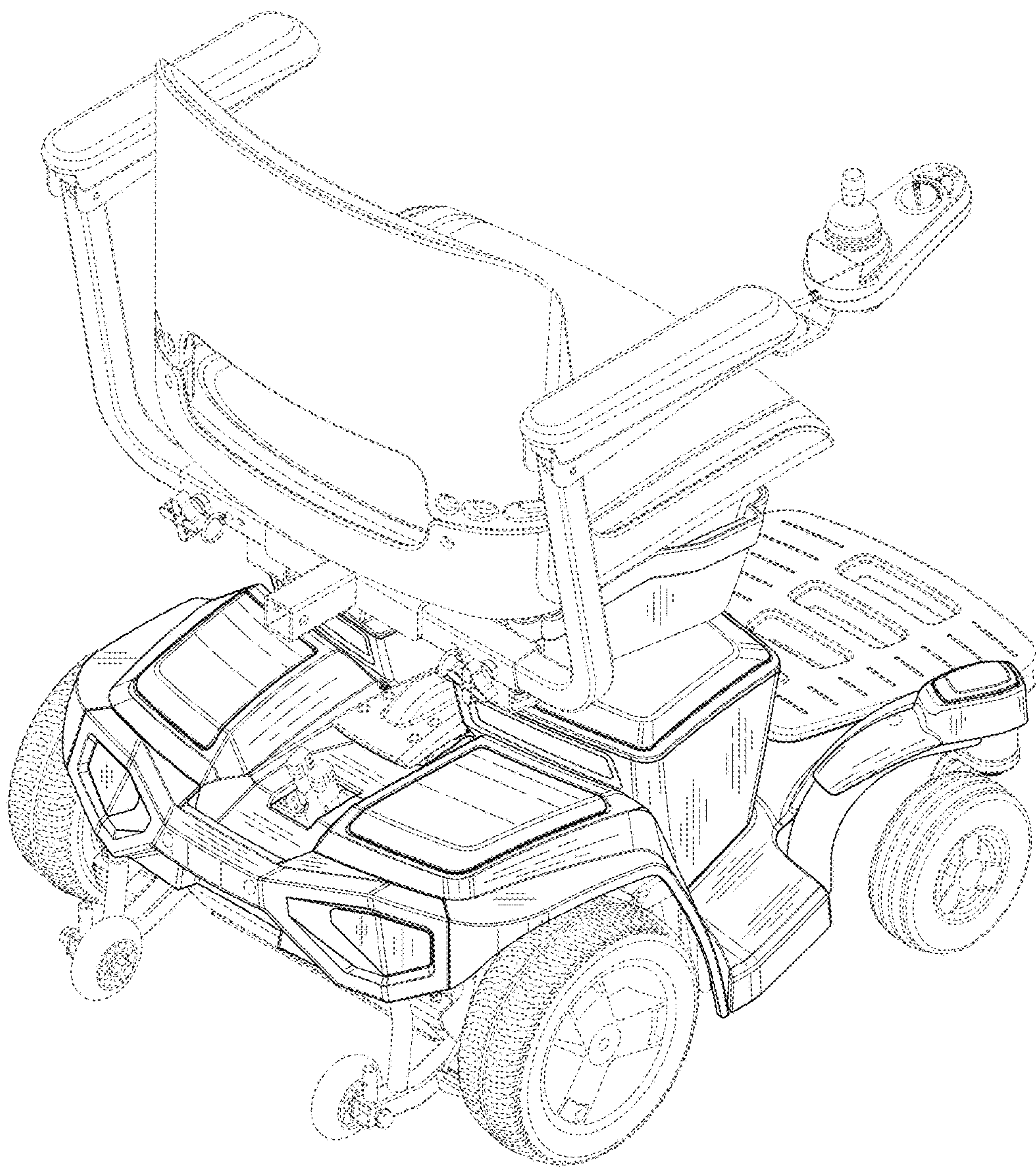


FIG. 2

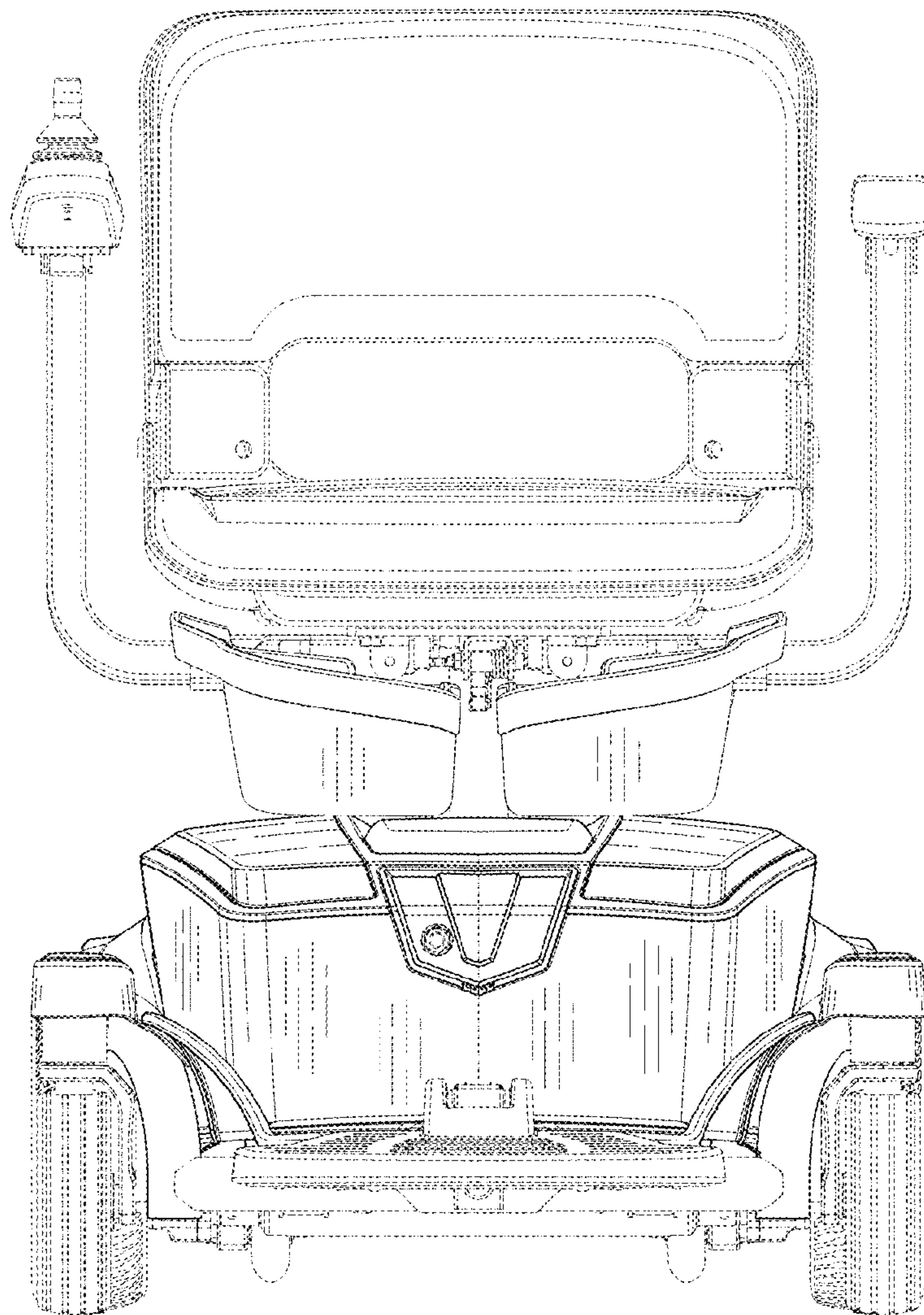


FIG. 3

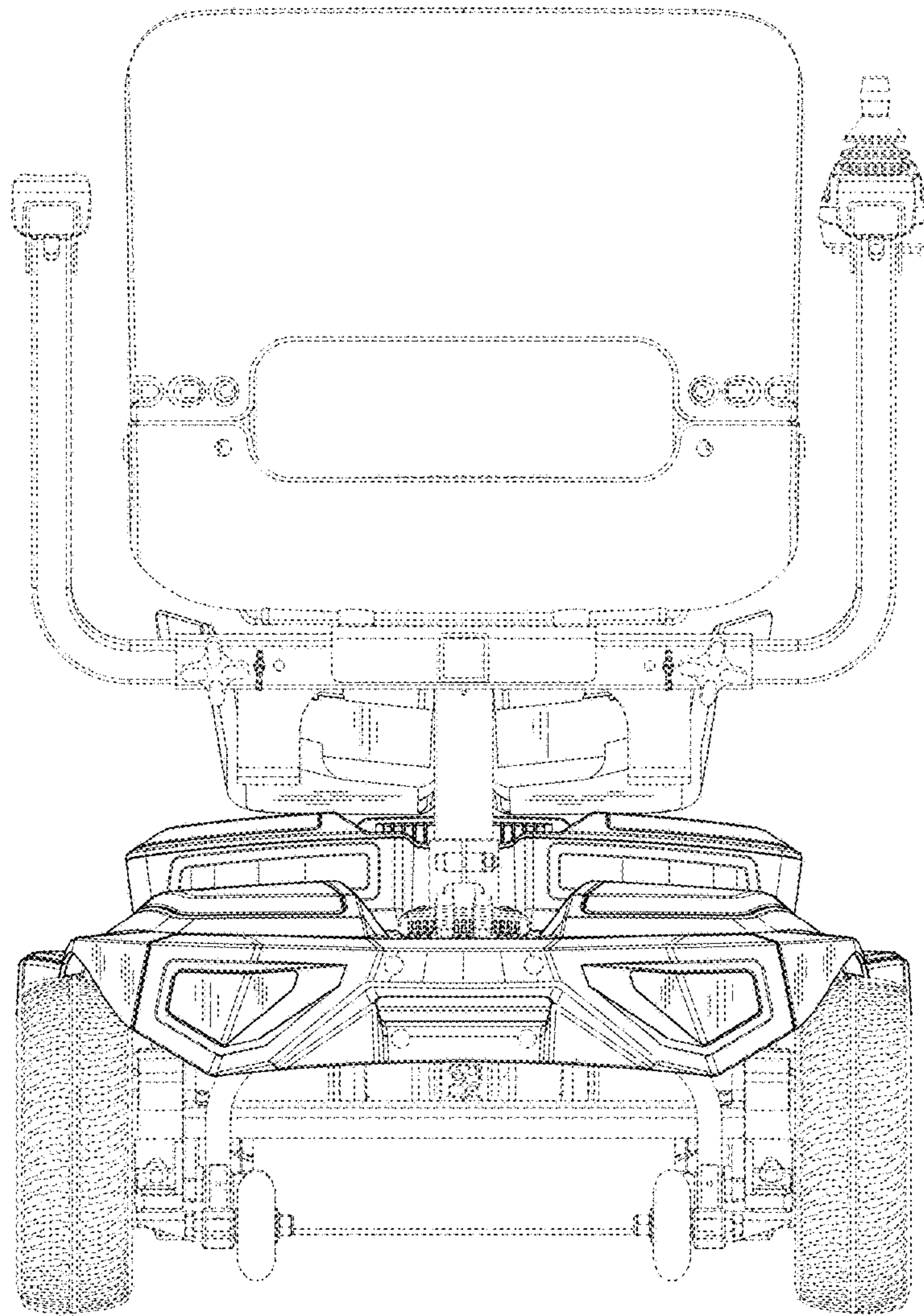


FIG. 4

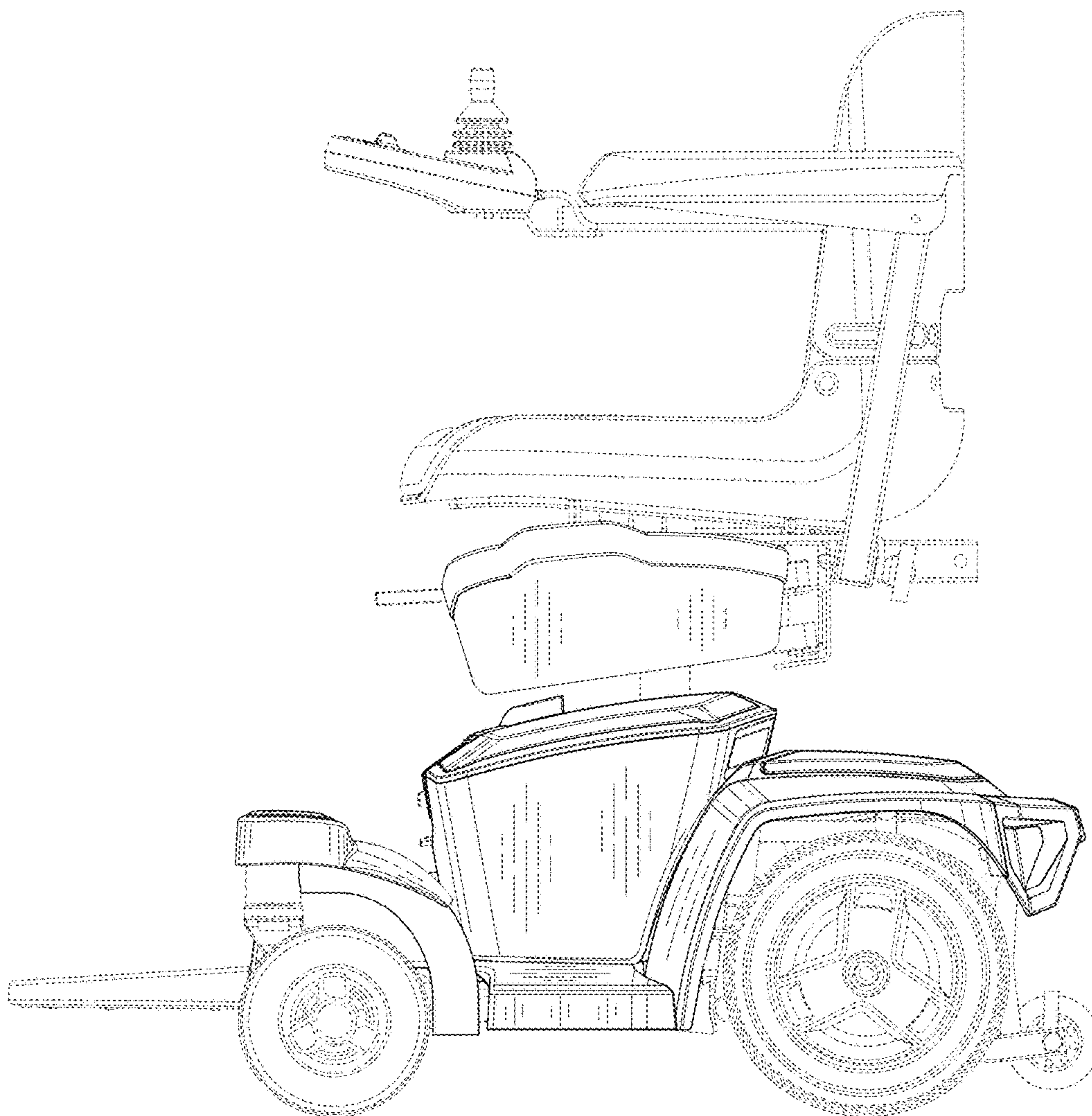


FIG. 5

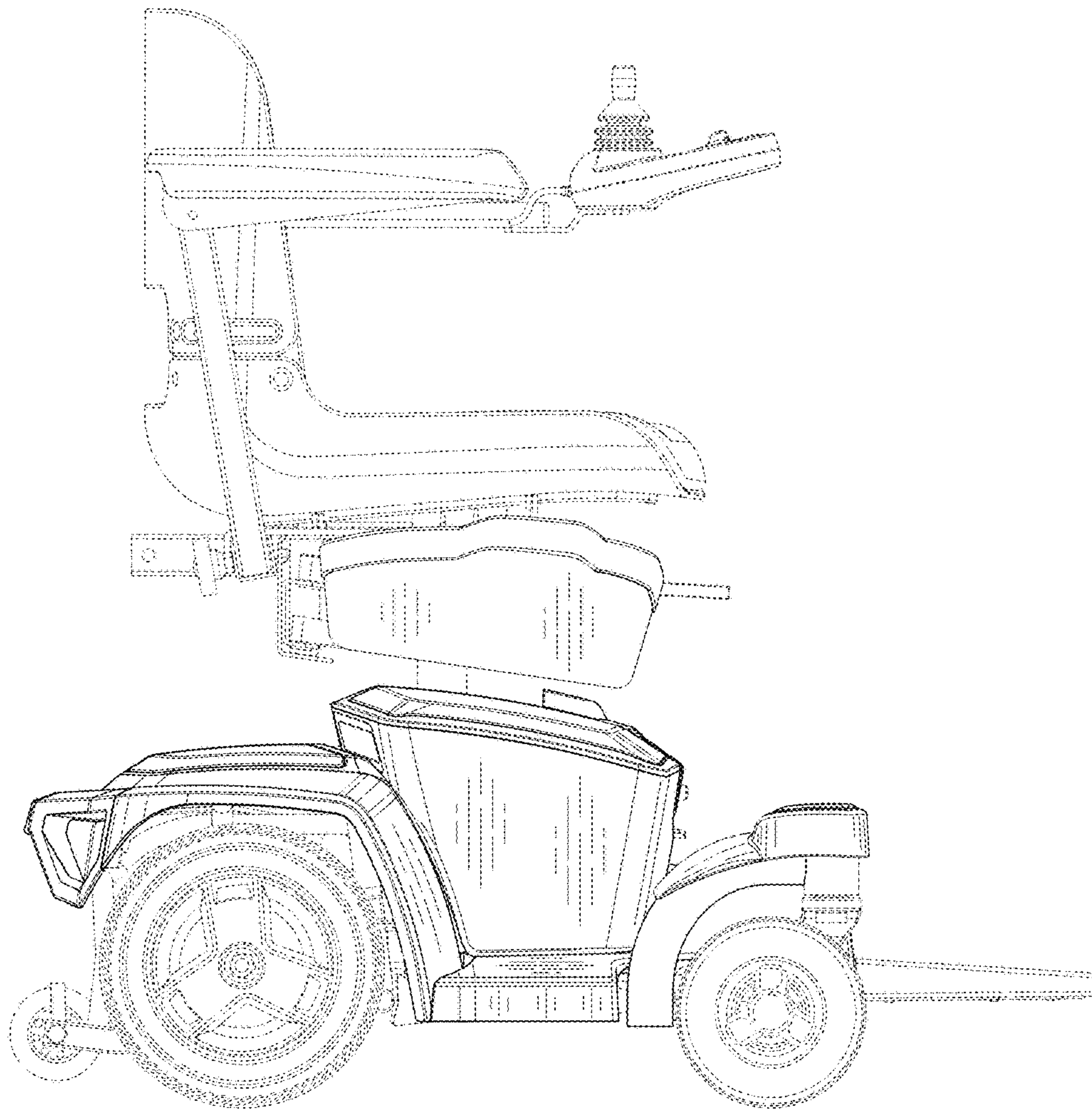


FIG. 6

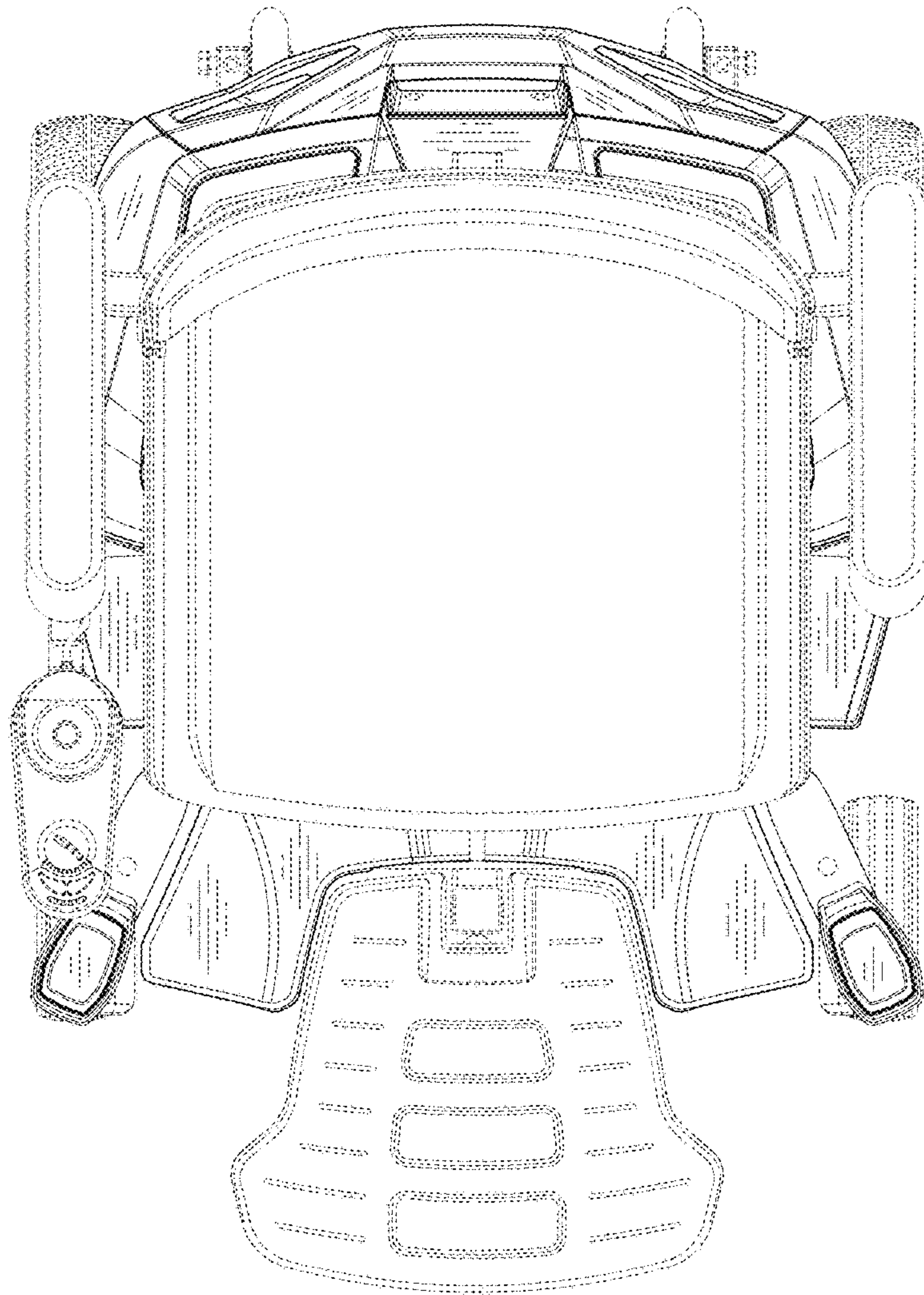


FIG. 7

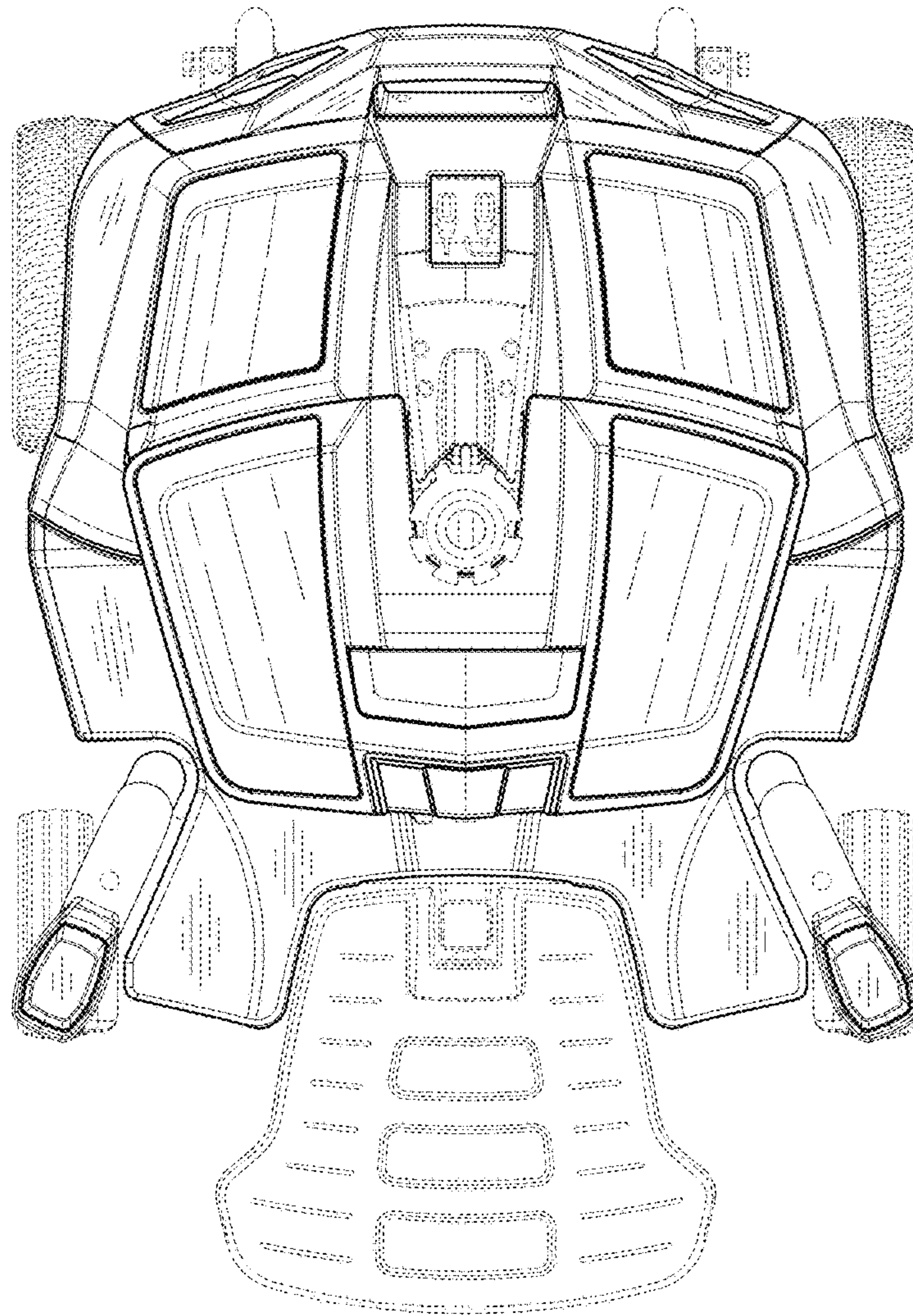


FIG. 8

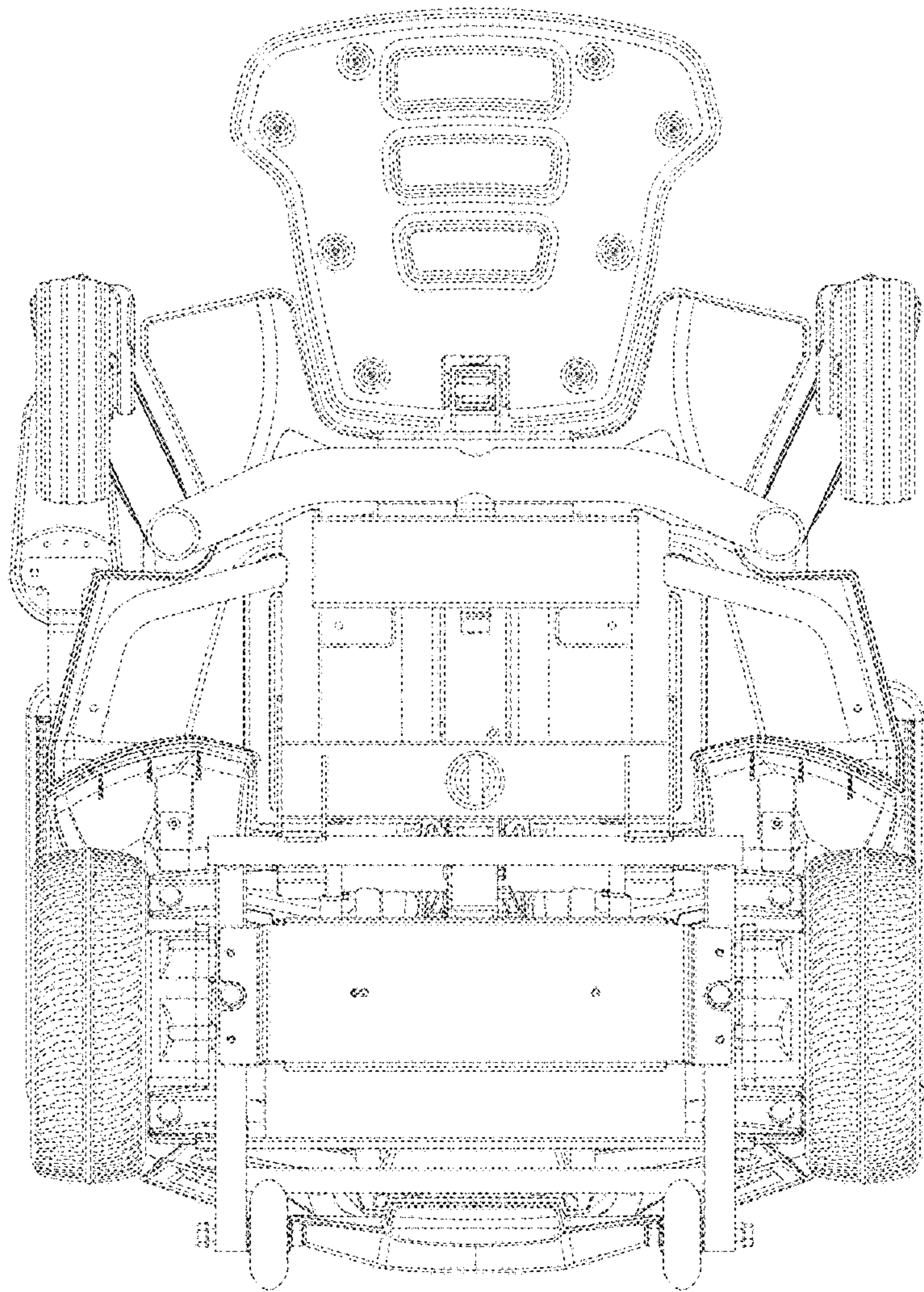


FIG. 9