



US00D833916S

(12) **United States Design Patent** (10) **Patent No.:** **US D833,916 S**  
**Yu** (45) **Date of Patent:** **\*\* Nov. 20, 2018**

(54) **ELECTRIC BICYCLE**  
(71) Applicant: **JIAXING HONGRUI MACHINERY CO., LTD**, Zhejiang (CN)  
(72) Inventor: **Yuejiong Yu**, Zhejiang (CN)  
(\*\*) Term: **15 Years**  
(21) Appl. No.: **29/592,851**

7,963,357 B2 \* 6/2011 Gulas ..... B62K 25/283  
180/206.5  
D686,540 S \* 7/2013 Hinderhofer ..... D12/111  
D727,215 S \* 4/2015 Yang ..... D12/111  
9,611,002 B1 \* 4/2017 Shum ..... B62M 6/50  
D807,233 S \* 1/2018 Zhang ..... D12/111  
D807,234 S \* 1/2018 Chan ..... D12/111  
2010/0314187 A1 \* 12/2010 Chen ..... B62M 6/60  
180/206.5  
2013/0001000 A1 \* 1/2013 Krieger ..... B62M 6/45  
180/206.3

\* cited by examiner

(22) Filed: **Feb. 2, 2017**  
(51) **LOC (11) Cl.** ..... **12-11**  
(52) **U.S. Cl.**  
USPC ..... **D12/111**  
(58) **Field of Classification Search**  
USPC ..... D12/111, 117, 406, 407  
CPC . B62K 3/00; B62K 3/005; B62K 9/00; B62K  
19/00; B62K 19/02; B62K 19/04; B62K  
19/06; B62K 19/16  
See application file for complete search history.

*Primary Examiner* — Darlington Ly

(74) *Attorney, Agent, or Firm* — Prakash Nama; Global IP Services, PLLC

(57) **CLAIM**

The ornamental design for an electric bicycle, as shown and described.

**DESCRIPTION**

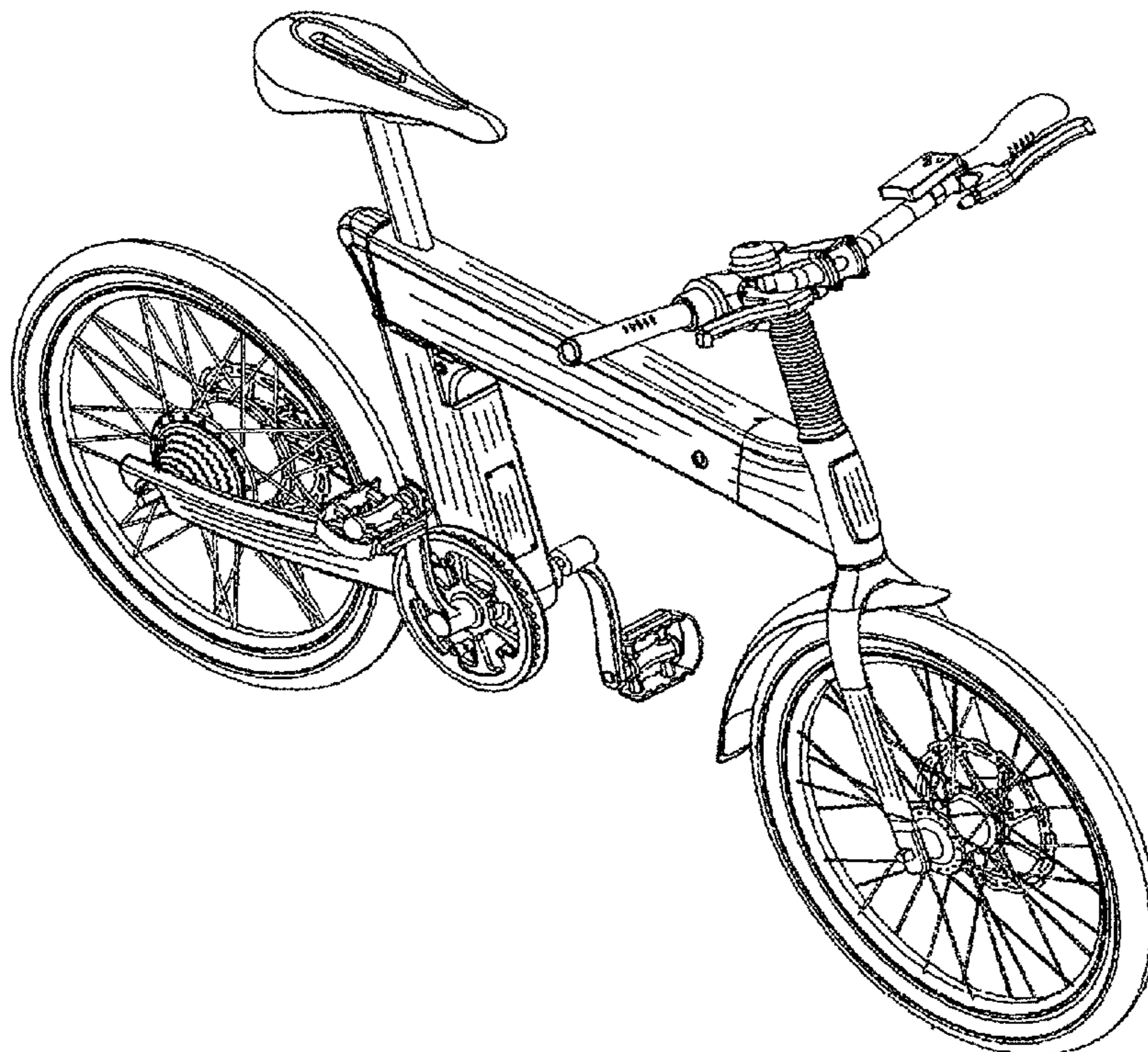
FIG. 1 is a front elevational view of an electric bicycle showing my new design;  
FIG. 2 is a rear elevational view thereof;  
FIG. 3 is a left side elevational view thereof;  
FIG. 4 is a right side elevational view thereof;  
FIG. 5 is a top plan view thereof;  
FIG. 6 is a bottom plan view thereof; and,  
FIG. 7 is a top, front, and left side perspective view thereof.

(56) **References Cited**

U.S. PATENT DOCUMENTS

D294,338 S \* 2/1988 Yamada ..... D12/110  
D376,123 S \* 12/1996 Camfield ..... D12/111  
D400,826 S \* 11/1998 Accerenzi ..... D12/111  
D406,253 S \* 3/1999 Yamashita ..... D12/110  
D498,438 S \* 11/2004 Ying ..... D12/111  
D516,469 S \* 3/2006 Reinke ..... D12/111

**1 Claim, 7 Drawing Sheets**



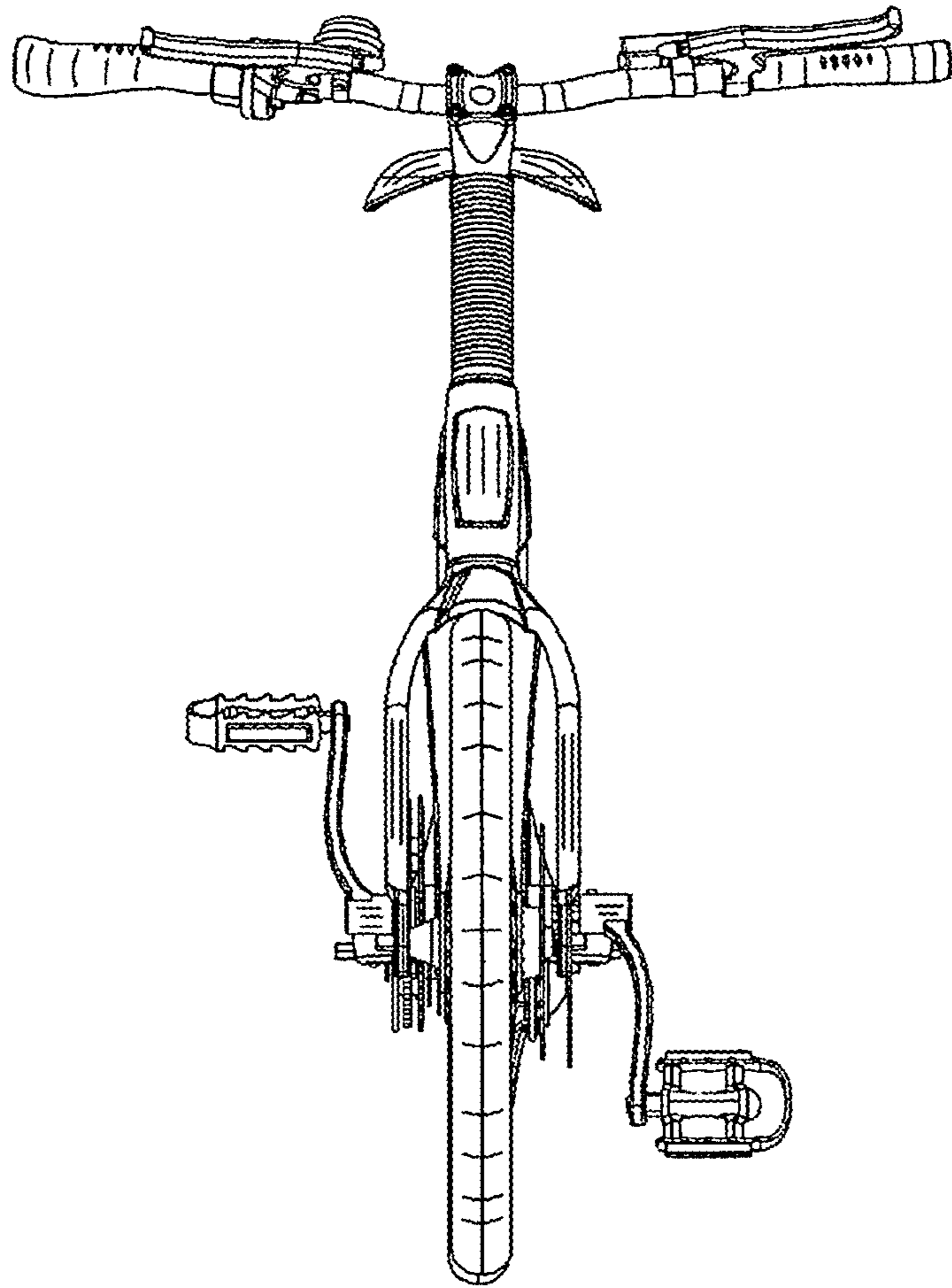


Fig. 1

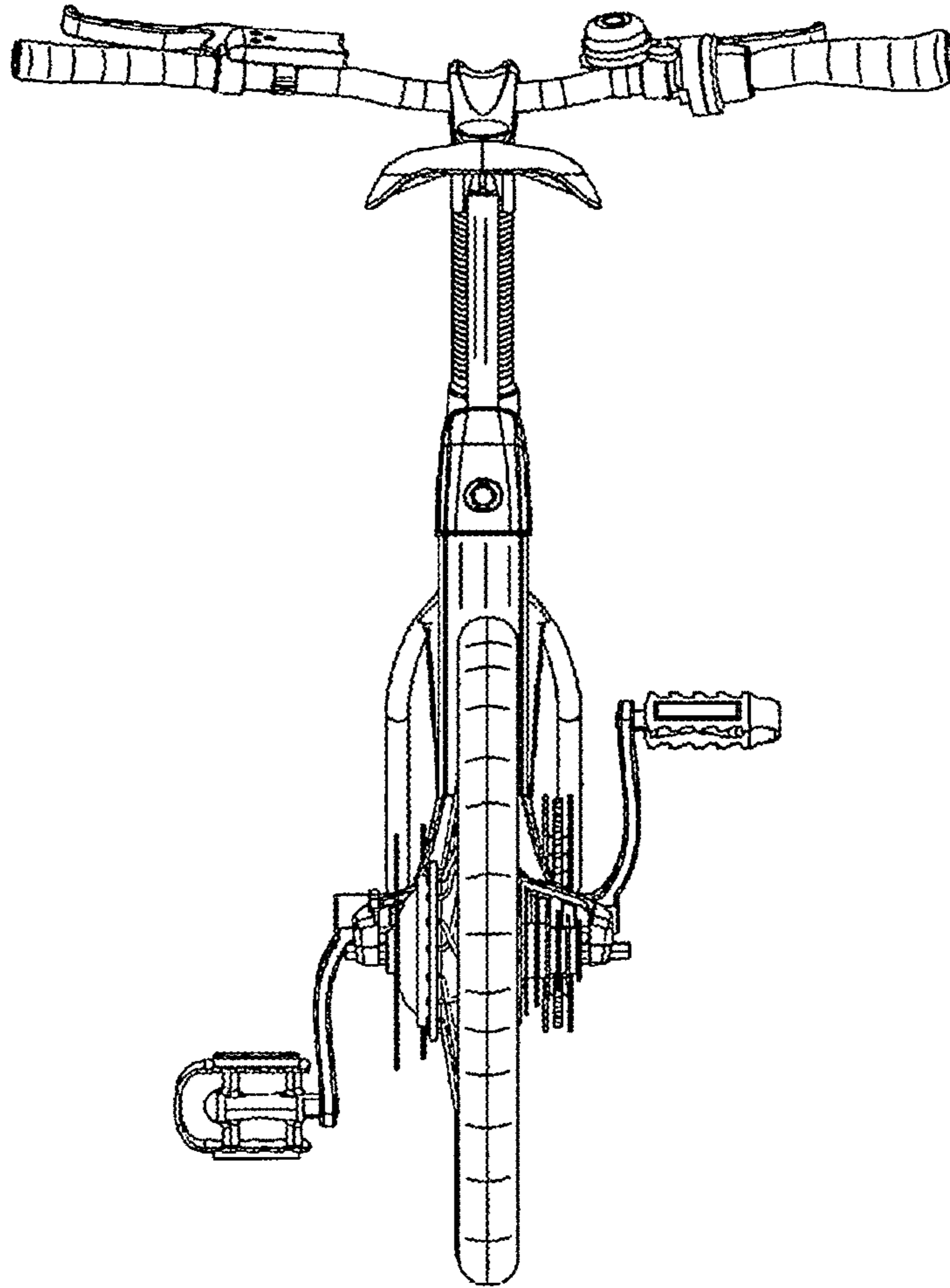


Fig. 2

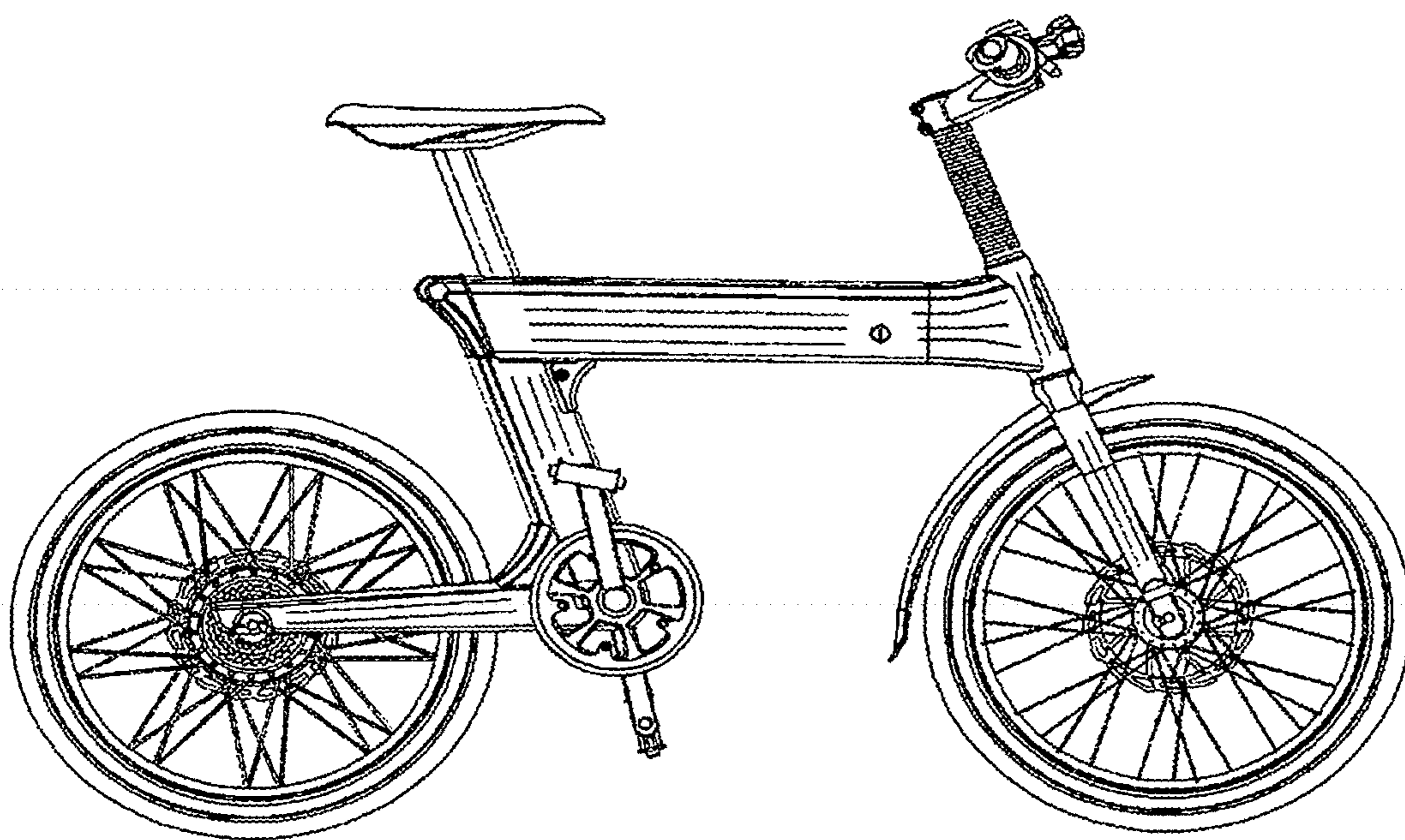


Fig. 3

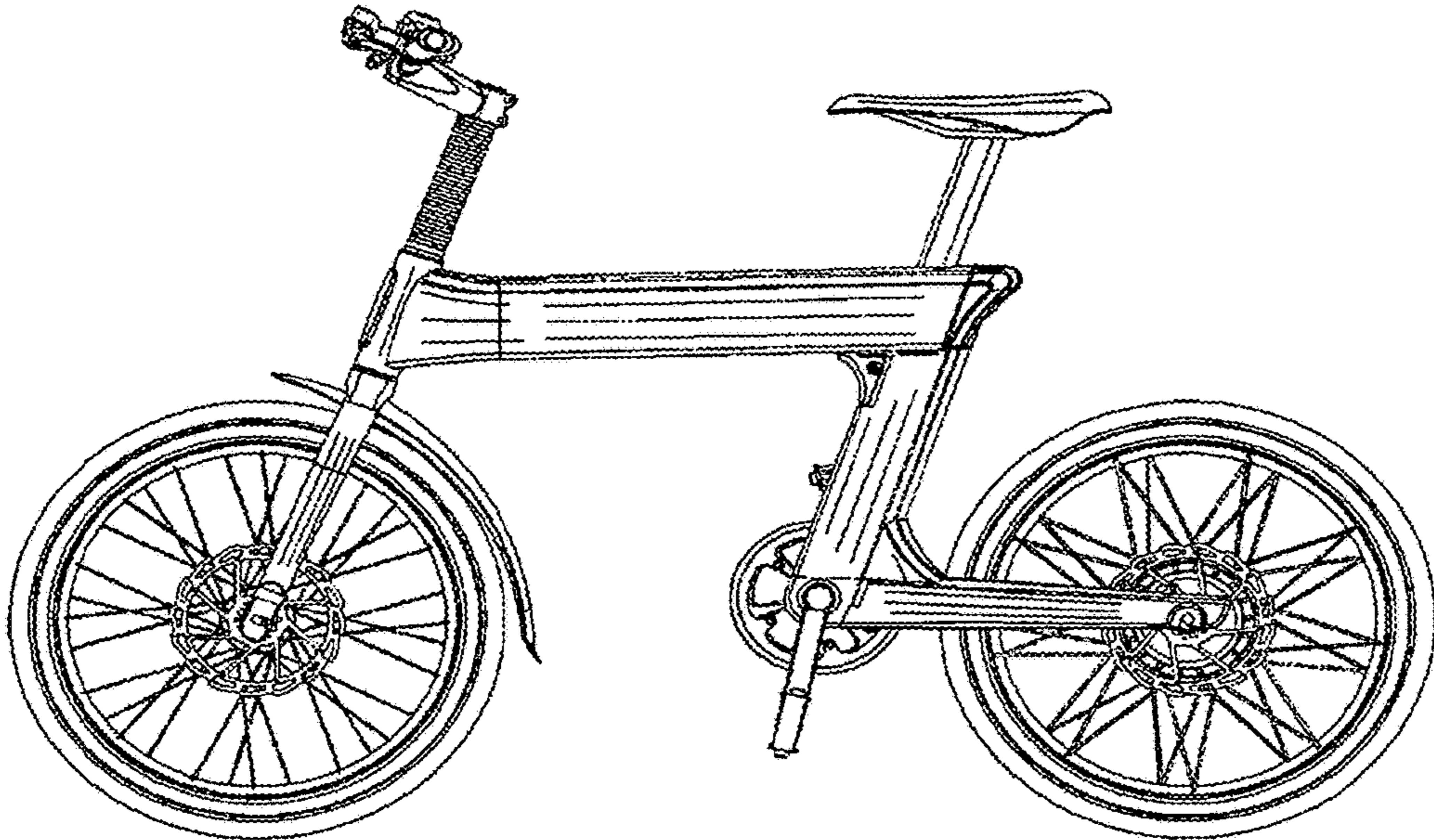


Fig. 4

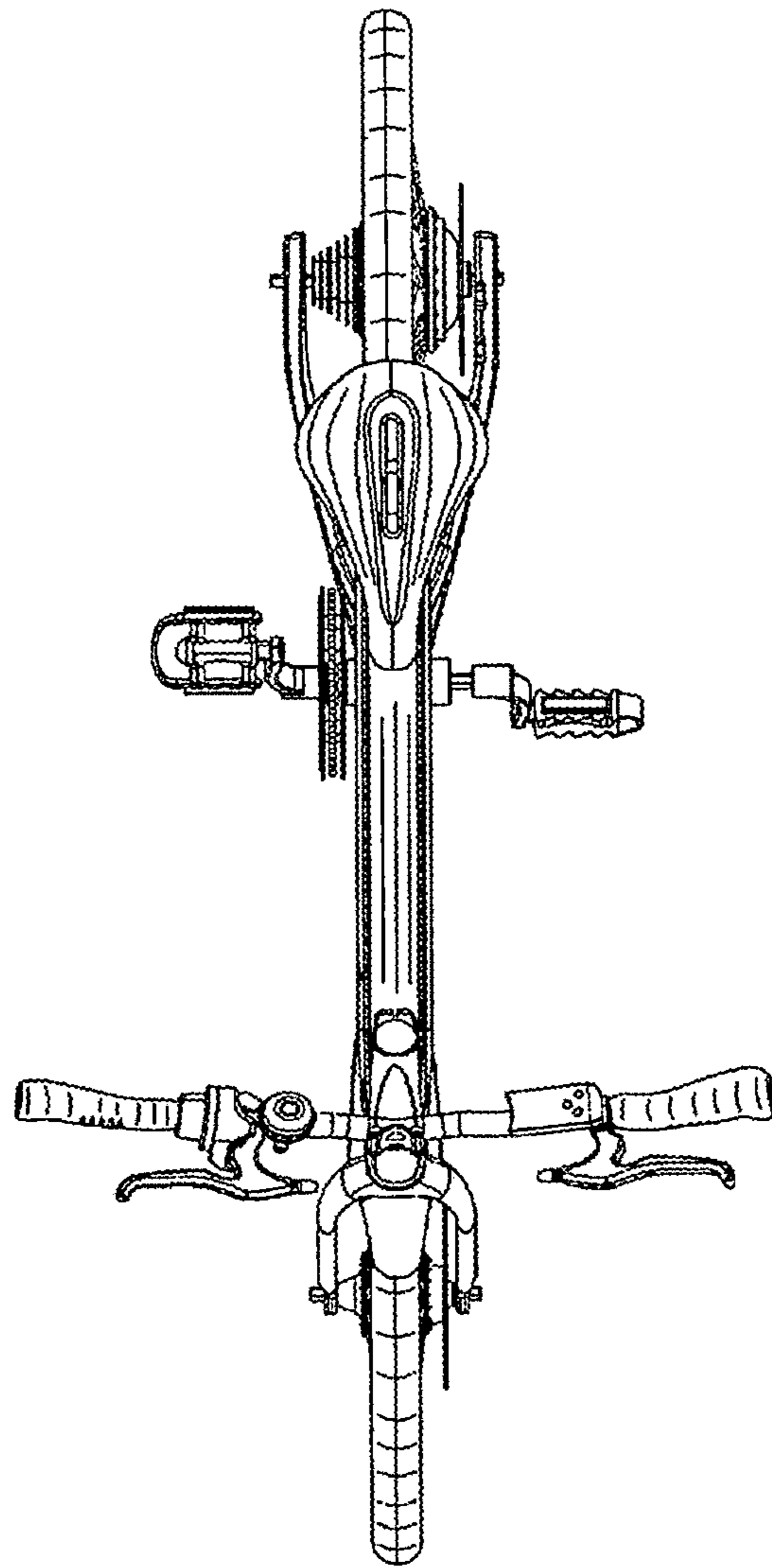


Fig. 5

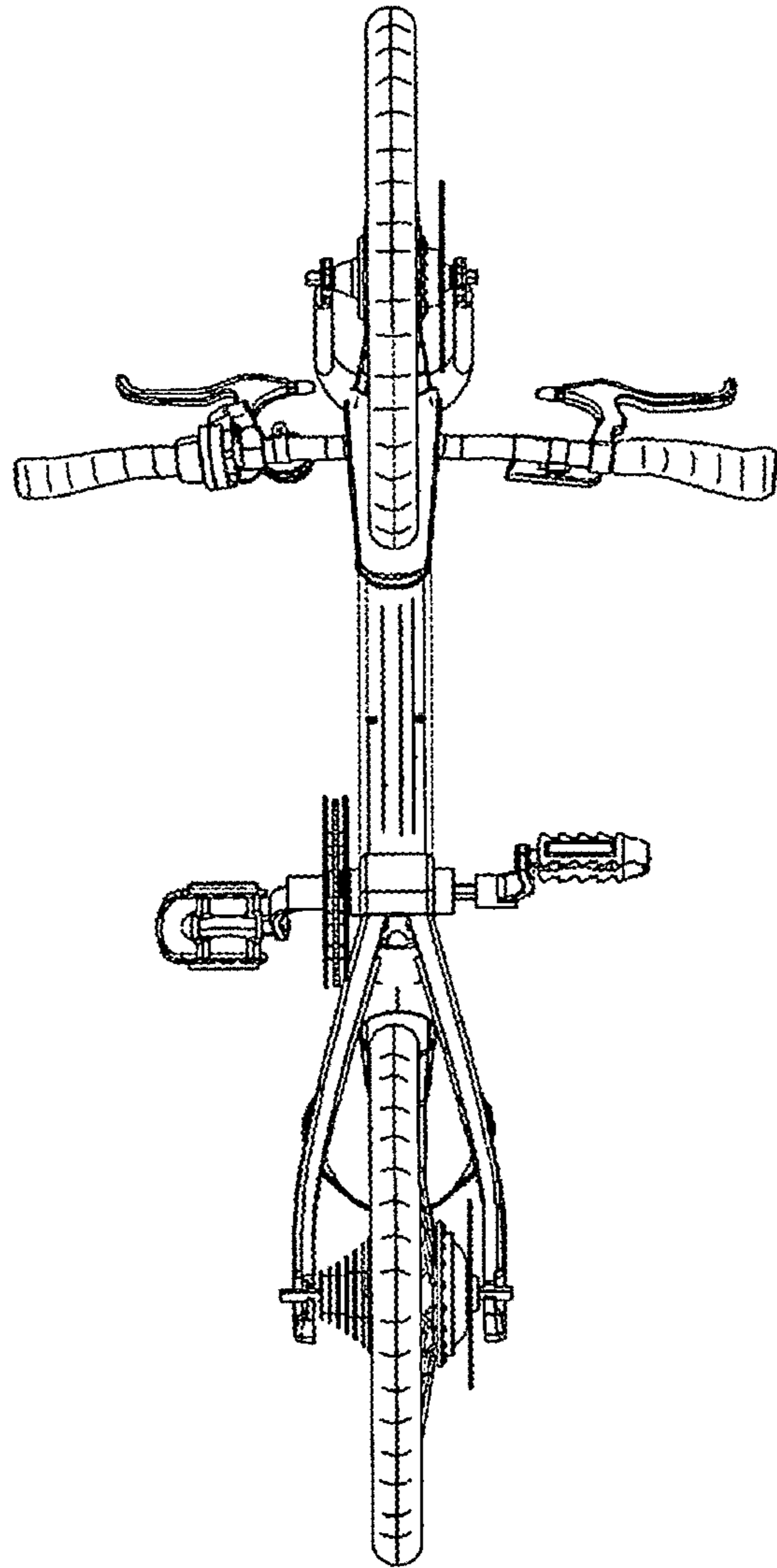


Fig. 6

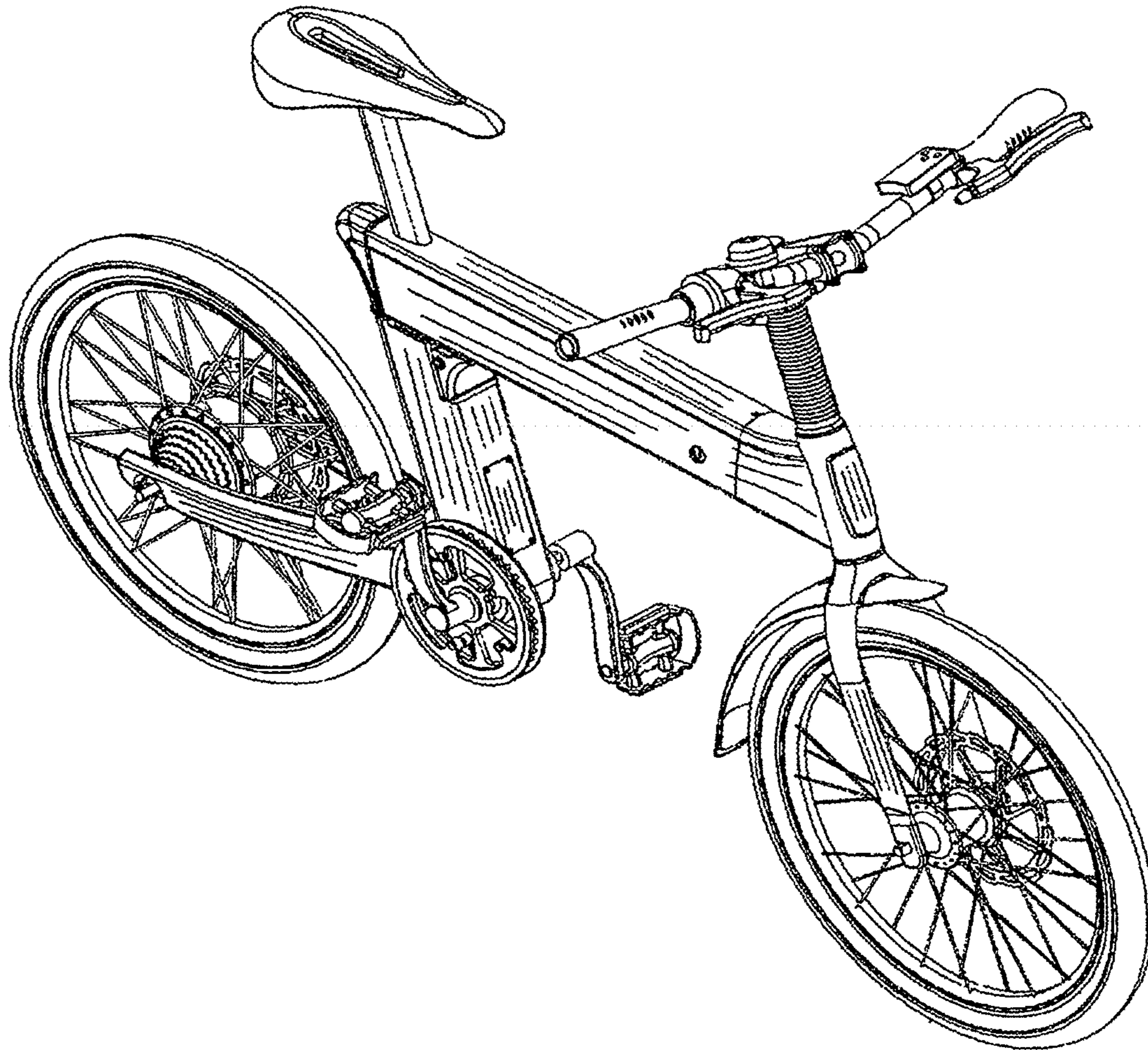


Fig. 7