



US00D833915S

(12) **United States Design Patent** (10) **Patent No.:** **US D833,915 S**
Tatro et al. (45) **Date of Patent:** **** Nov. 20, 2018**

- (54) **EXPEDITION VEHICLE BODY**
- (71) Applicant: **XPEDITION VEHICLE SERVICE LLC**, Dacono, CO (US)
- (72) Inventors: **Tyler W. Tatro**, Boulder, CO (US); **William J. Swails**, Erie, CO (US)
- (73) Assignee: **Xpedition Vehicle Service LLC**, Dacono, CO (US)
- (**) Term: **15 Years**
- (21) Appl. No.: **29/611,242**
- (22) Filed: **Jul. 19, 2017**
- (51) **LOC (11) Cl.** **12-16**
- (52) **U.S. Cl.**
 USPC **D12/103**
- (58) **Field of Classification Search**
 USPC D12/103, 19, 129, 100–102, 104–106, D12/111–112; D21/425, 435; D34/21–26, 12, 16–19
 CPC ... B60P 3/34; B60P 3/38; B62D 24/04; B62D 33/0612; B62D 33/077
 See application file for complete search history.

D742,815 S * 11/2015 Shaw D12/103
 2006/0006693 A1* 1/2006 Anderson B60P 3/36
 296/162
 2007/0187989 A1* 8/2007 Brown B60P 3/36
 296/162

* cited by examiner

Primary Examiner — Katrina A Betton
 (74) *Attorney, Agent, or Firm* — Marsh Fischmann & Breyfogle LLP; Kent A. Fischmann

(57) **CLAIM**

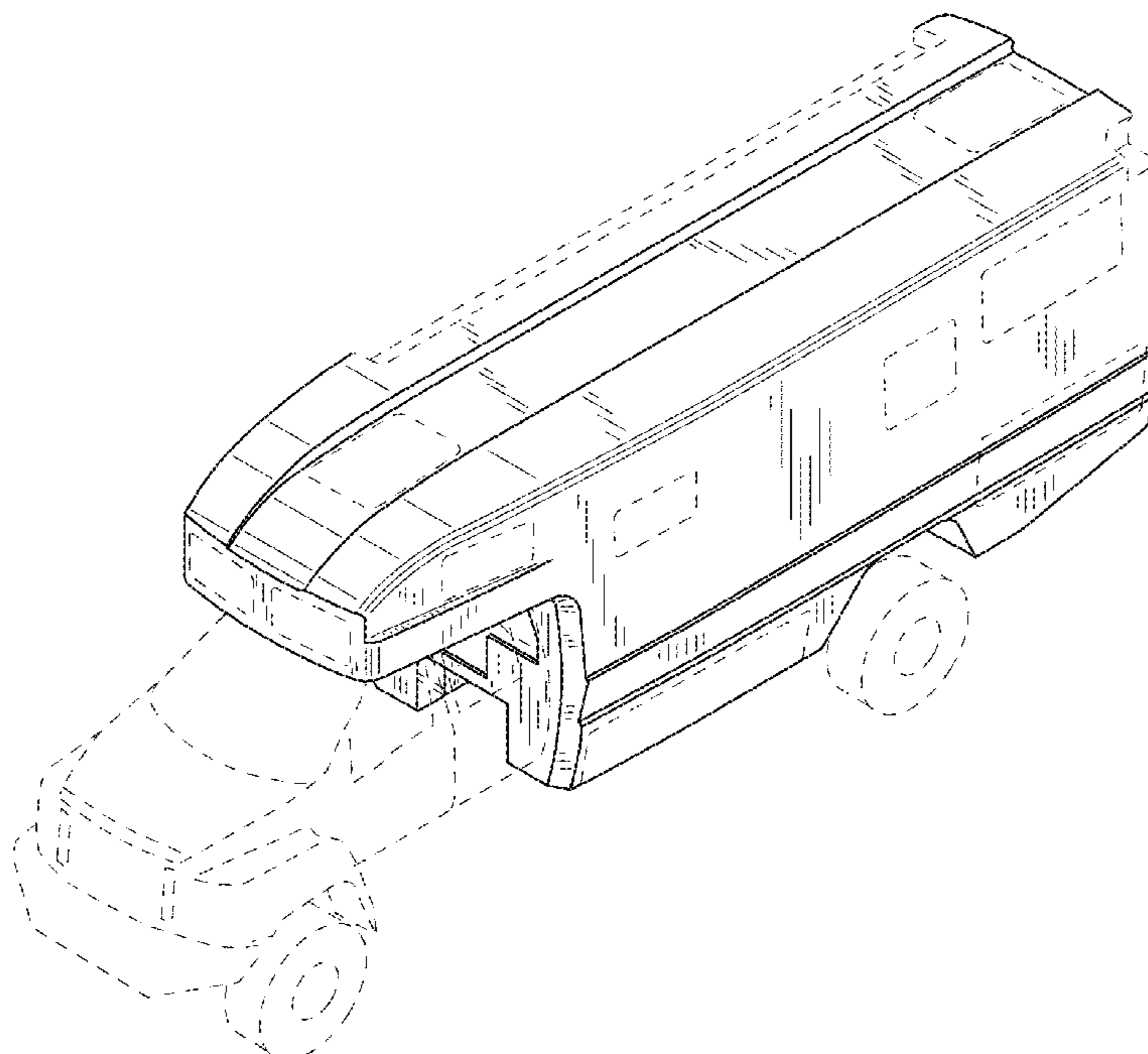
An expedition vehicle body, as shown and described.

DESCRIPTION

FIG. 1 is a perspective view of an expedition vehicle body in accordance with the present invention shown on a vehicle; FIG. 2 is a perspective view of the expedition vehicle body of FIG. 1; FIG. 3 is a front view of the expedition vehicle body of FIG. 1; FIG. 4 is a back view of the expedition vehicle body of FIG. 1; FIG. 5 is a right side view of the expedition vehicle body of FIG. 1; FIG. 6 is a left side view of the expedition vehicle body of FIG. 1; FIG. 7 is a top view of the expedition vehicle body of FIG. 1; and, FIG. 8 is a bottom view of the expedition vehicle body of FIG. 1.

1 Claim, 7 Drawing Sheets

- (56) **References Cited**
- U.S. PATENT DOCUMENTS
- D617,685 S * 6/2010 Rodabaugh D12/103
 8,141,927 B2* 3/2012 Kreil B60P 3/34
 296/165
 D689,402 S * 9/2013 Lee D12/103
 8,622,459 B2* 1/2014 Raber B60P 3/34
 296/162
 D707,591 S * 6/2014 Sands D12/103



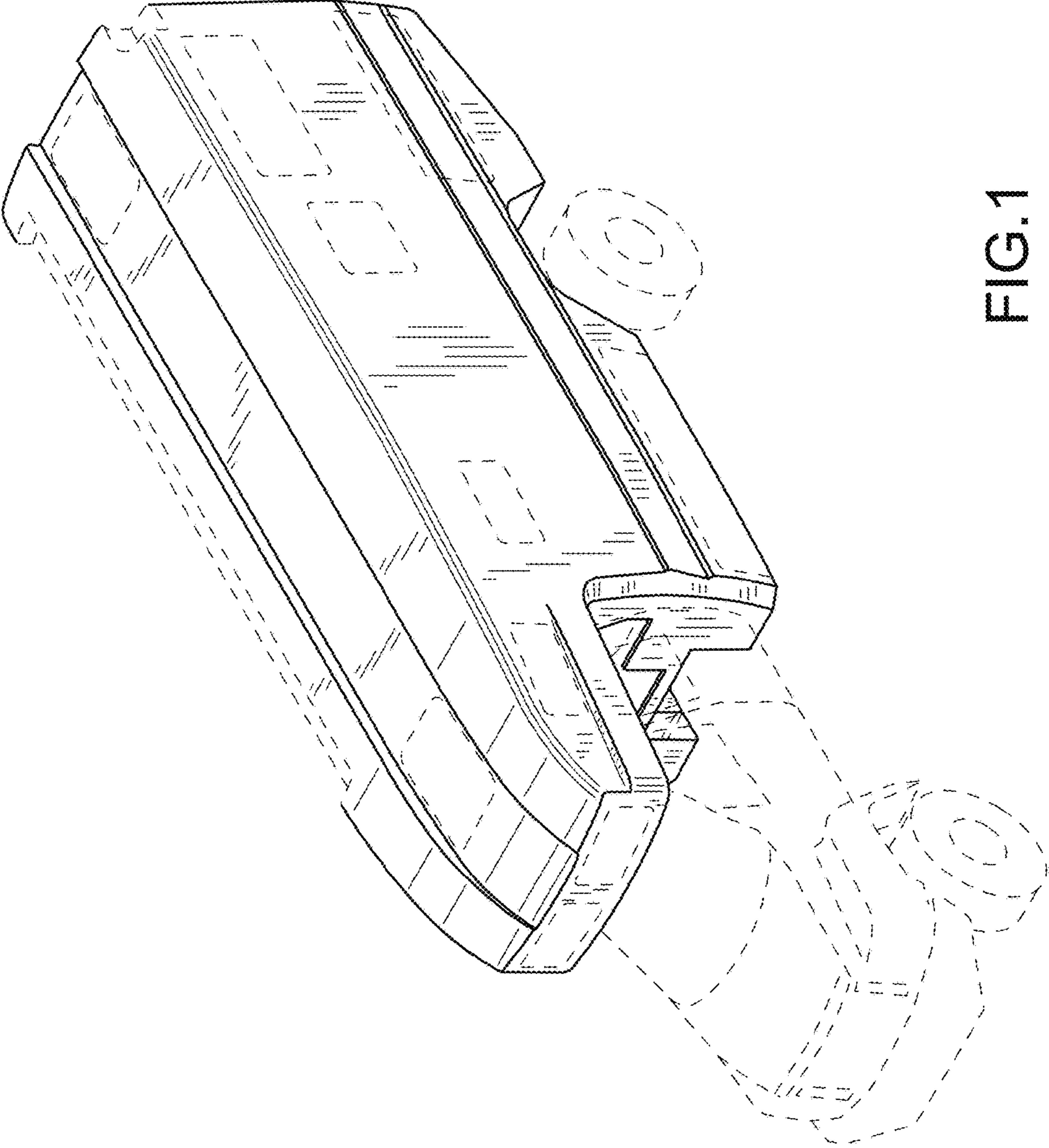


FIG.1

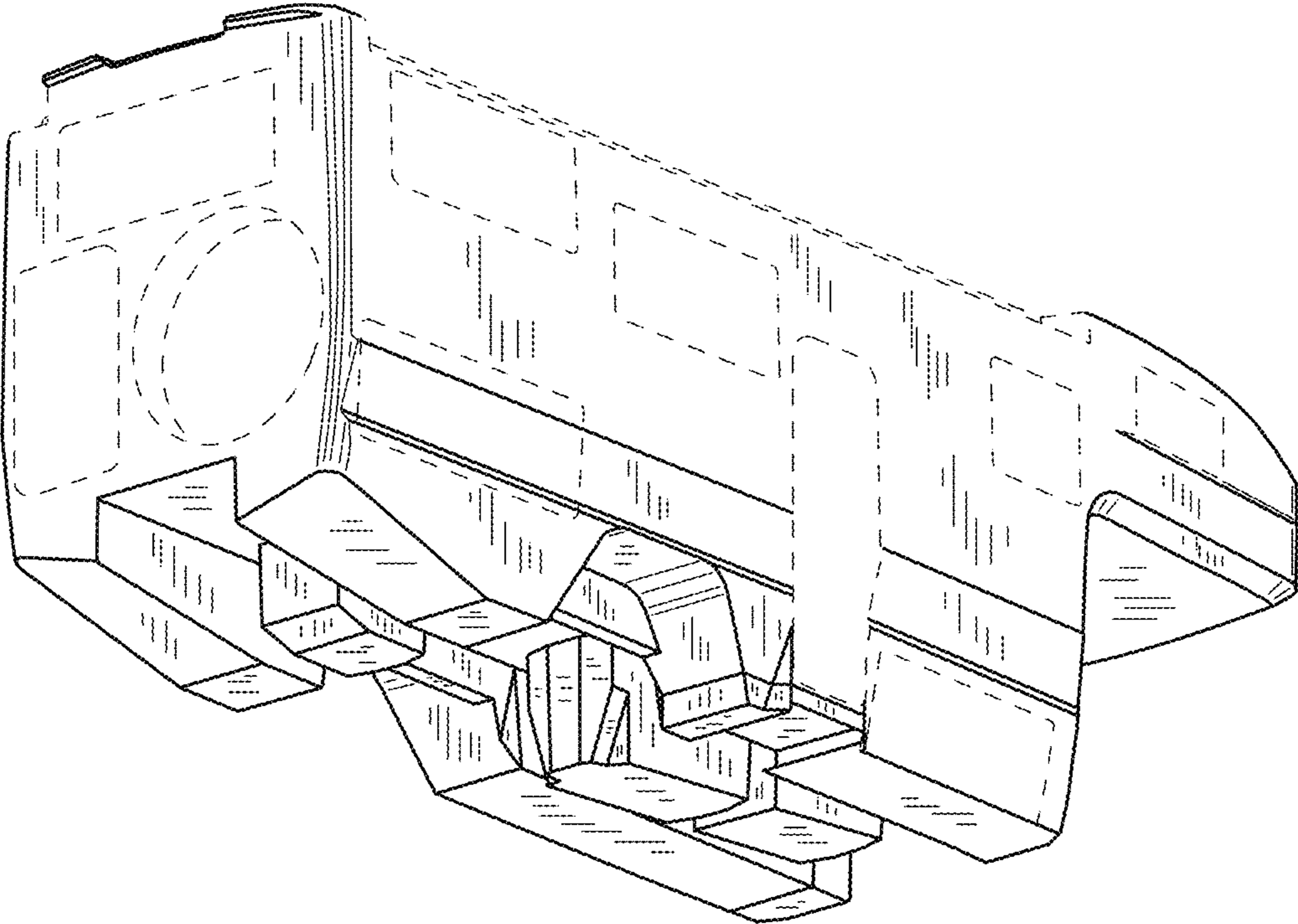


FIG.2

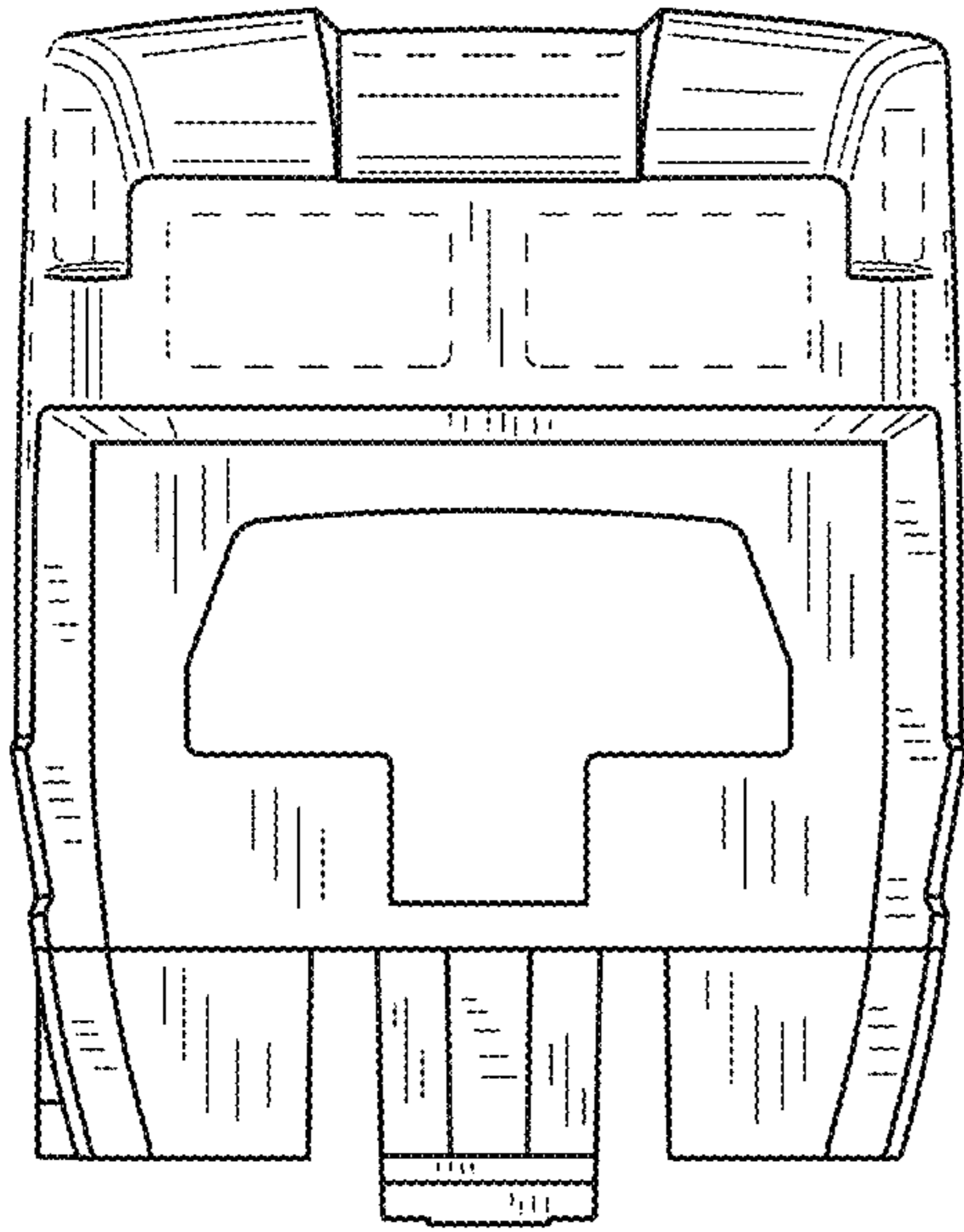


FIG.3

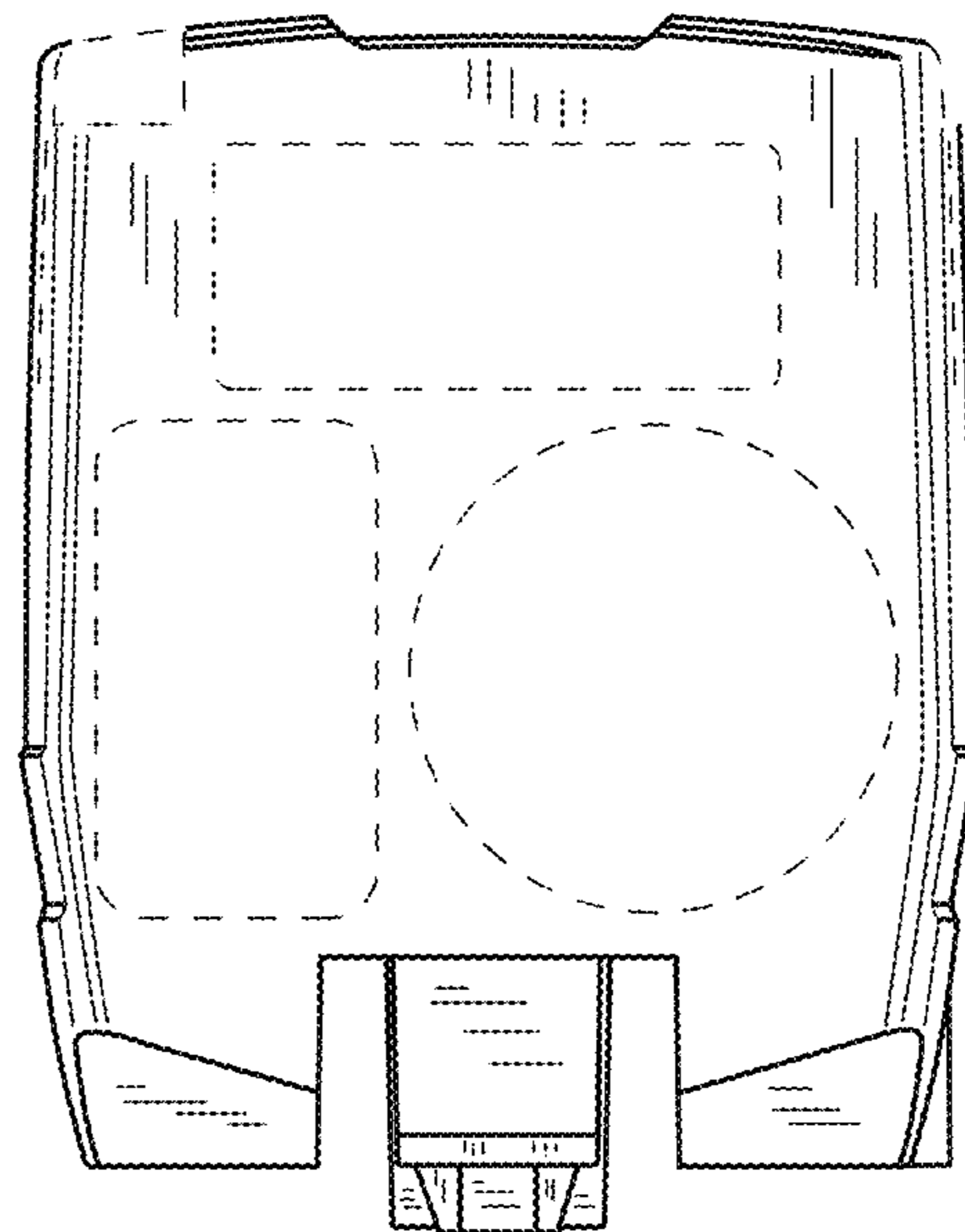


FIG.4

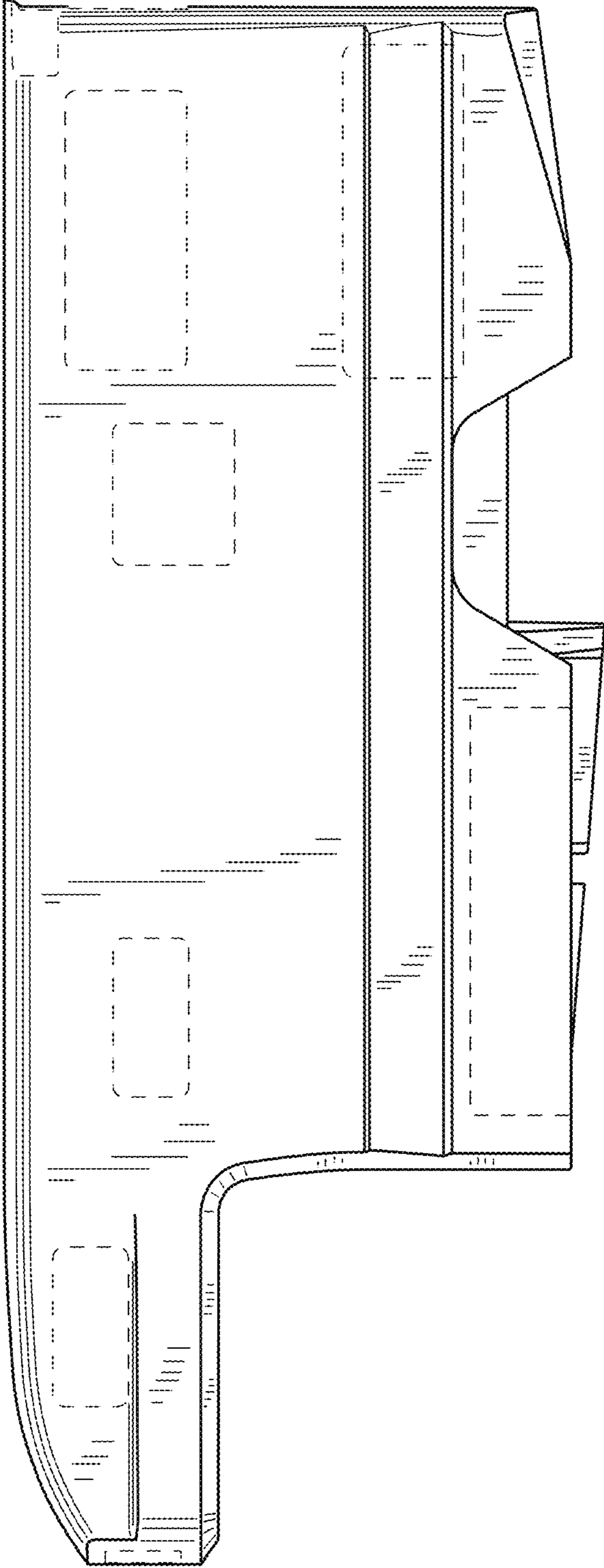


FIG.5

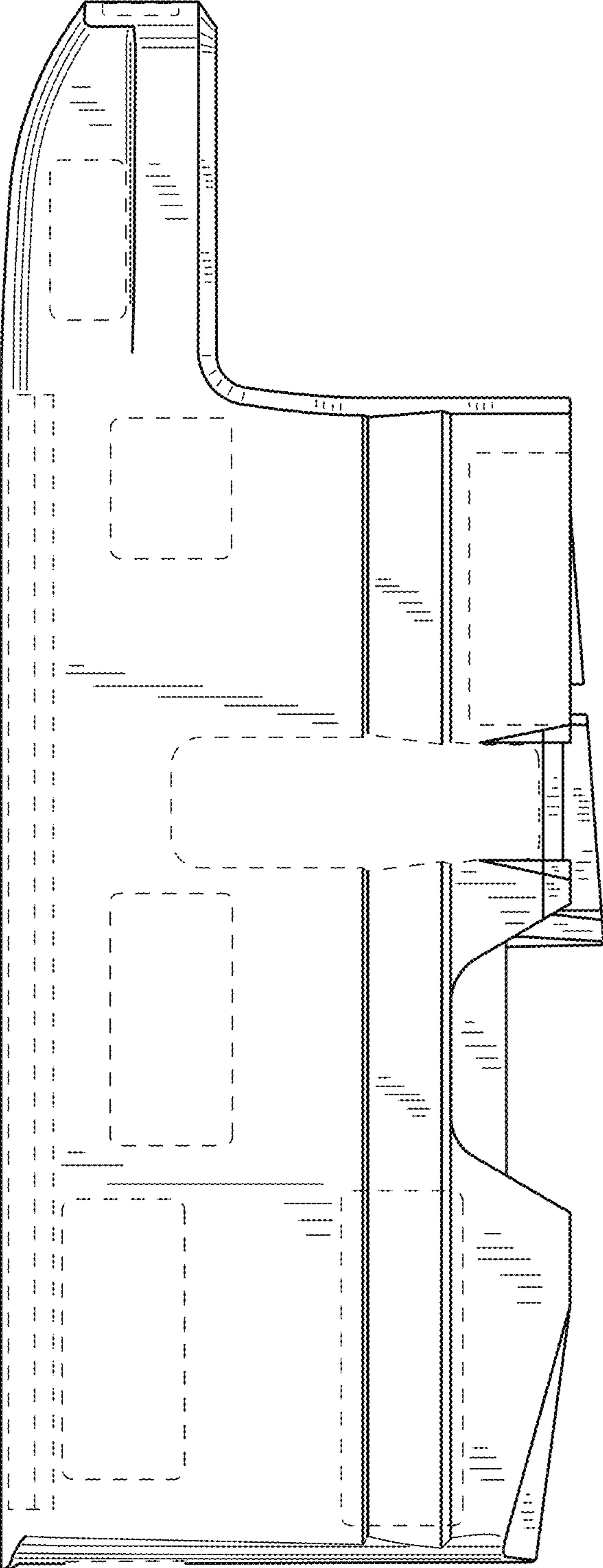


FIG.6

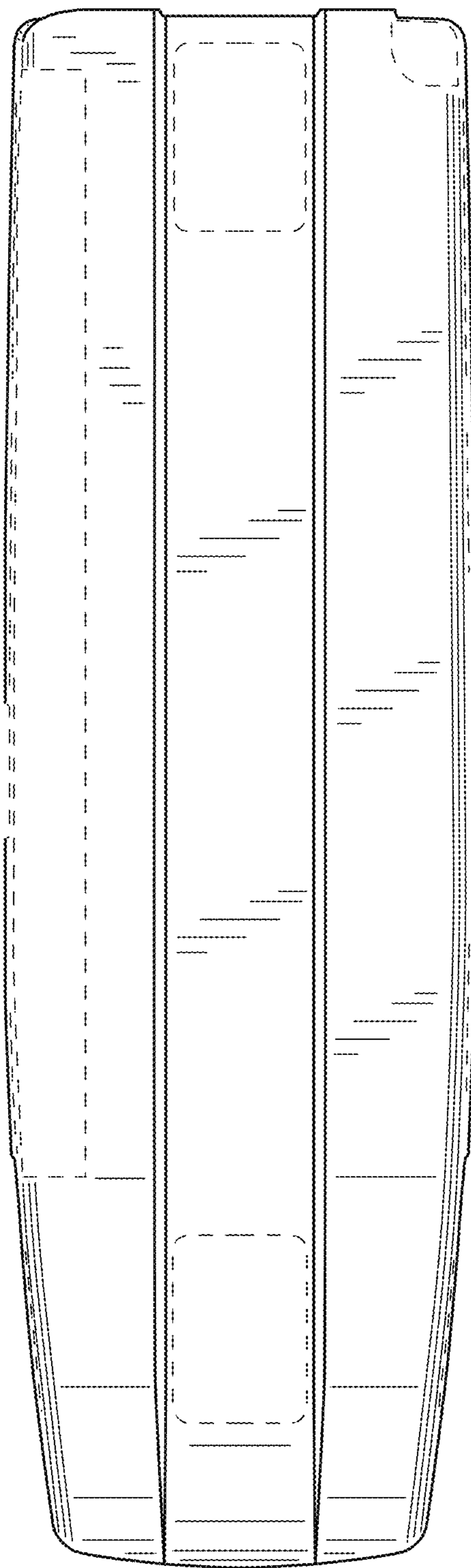


FIG.7

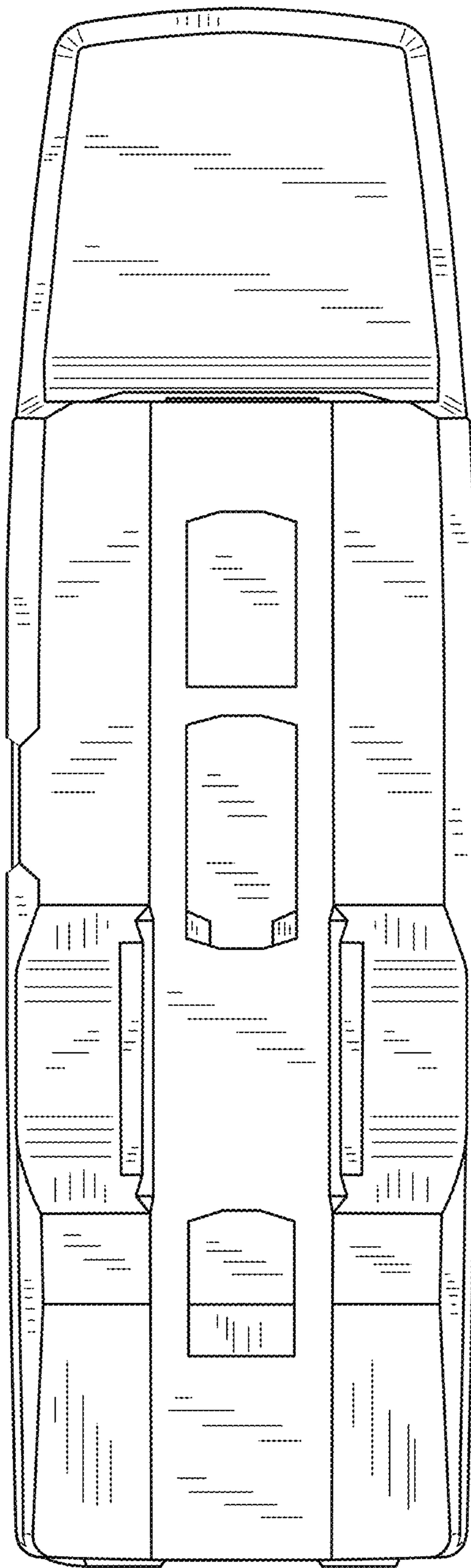


FIG.8