



US00D833910S

(12) **United States Design Patent**
Hung

(10) **Patent No.:** **US D833,910 S**

(45) **Date of Patent:** **** Nov. 20, 2018**

(54) **PAIR OF ZIPPER PARTS**

(71) Applicant: **IDEAL FASTENER (GUANGDONG) INDUSTRIES LTD.**, Zhaoqing, Guangdong (CN)

(72) Inventor: **Franklin Chi Yen Hung**, Guangdong (CN)

(73) Assignee: **IDEAL FASTENER (GUANGDONG) INDUSTRIES LTD.**, Zhaoqing (CN)

(**) Term: **15 Years**

(21) Appl. No.: **29/625,882**

(22) Filed: **Nov. 13, 2017**

(30) **Foreign Application Priority Data**

Sep. 26, 2017 (CN) 2017 3 0460599

(51) **LOC (11) Cl.** **02-07**

(52) **U.S. Cl.**
USPC **D11/221**

(58) **Field of Classification Search**
USPC D11/200, 201, 221; 24/381–383, 24/385–389, 414–417, 421–422, 427–431, 24/433, 434; 2/265; D2/641, 642; 294/3.6; 223/118; D8/33, 34, 40
(Continued)

(56) **References Cited**

U.S. PATENT DOCUMENTS

2,814,847 A * 12/1957 Zbinden A44B 19/34
2/234
4,425,683 A * 1/1984 Hata A44B 19/38
24/381

(Continued)

Primary Examiner — Ralf Seifert

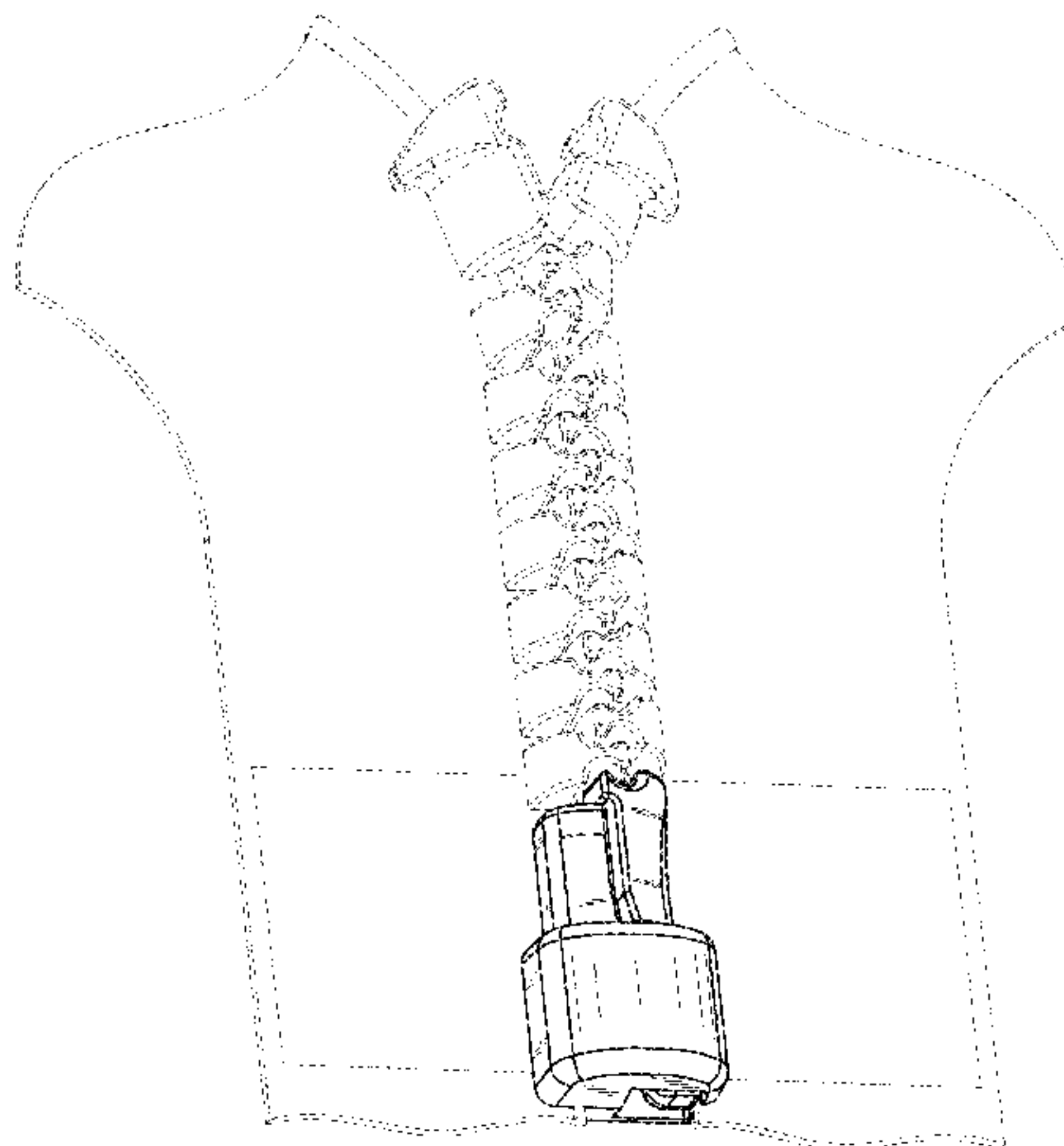
(57) **CLAIM**

The ornamental design for a pair of zipper parts, as shown and described.

DESCRIPTION

FIG. 1 is a front elevational view of one part of a pair of zipper parts showing my new design; FIG. 2 is a rear elevational view of FIG. 1; FIG. 3 is a left side view of FIG. 1; FIG. 4 is a right side view of FIG. 1; FIG. 5 is a top plan view of FIG. 1; FIG. 6 is a bottom plan view of FIG. 1; FIG. 7 is a first perspective view of FIG. 1; FIG. 8 is a second perspective view of FIG. 1; FIG. 9 is a third perspective view of FIG. 1; FIG. 10 is a front elevational view of the other part of the pair of zipper parts; FIG. 11 is a rear elevational view of FIG. 10; FIG. 12 is a left side view of FIG. 10; FIG. 13 is a right side view of FIG. 10; FIG. 14 is a top plan view of FIG. 10; FIG. 15 is a bottom plan view of FIG. 10; FIG. 16 is a first perspective view of FIG. 10; FIG. 17 is a second perspective view of FIG. 10; FIG. 18 is a third perspective view of FIG. 10; FIG. 19 is a fourth perspective view of FIG. 10; FIG. 20 is a first perspective view showing the pair of zipper parts in a disengaged state; FIG. 21 is a second perspective view showing the pair of zipper parts in an engaged state; FIG. 22 is a third perspective view showing the pair of zipper parts in an engaged state; FIG. 23 is a fourth perspective view showing the pair of zipper parts in an engaged state; FIG. 24 is a front elevational view showing the pair of zipper parts in a use state; FIG. 25 is a front elevational view showing the pair of zipper parts in another use state; and, FIG. 26 is a perspective view of FIG. 24. The broken lines in FIGS. 24-26 depict environment and are for illustrative purposes only and form no part of the claimed design.

1 Claim, 26 Drawing Sheets



(58) **Field of Classification Search**

CPC A44B 19/00; A44B 19/02; A44B 19/04;
A44B 19/10; A44B 19/26; A44B 19/30;
A44B 19/06; A44B 19/34; A44B 19/40;
A44B 19/52; A44B 19/38; G02C 3/003;
A44H 37/06

See application file for complete search history.

(56) **References Cited**

U.S. PATENT DOCUMENTS

5,007,145 A * 4/1991 Kim A44B 19/38
24/388
D475,655 S * 6/2003 Savici, Sr. D11/221
D510,891 S * 10/2005 Cheng D11/221
D528,040 S * 9/2006 Cheng D11/221
D556,632 S * 12/2007 Cossutti D11/221
D648,246 S * 11/2011 Hasegawa D11/221
D780,624 S * 3/2017 Hamada D11/221

* cited by examiner

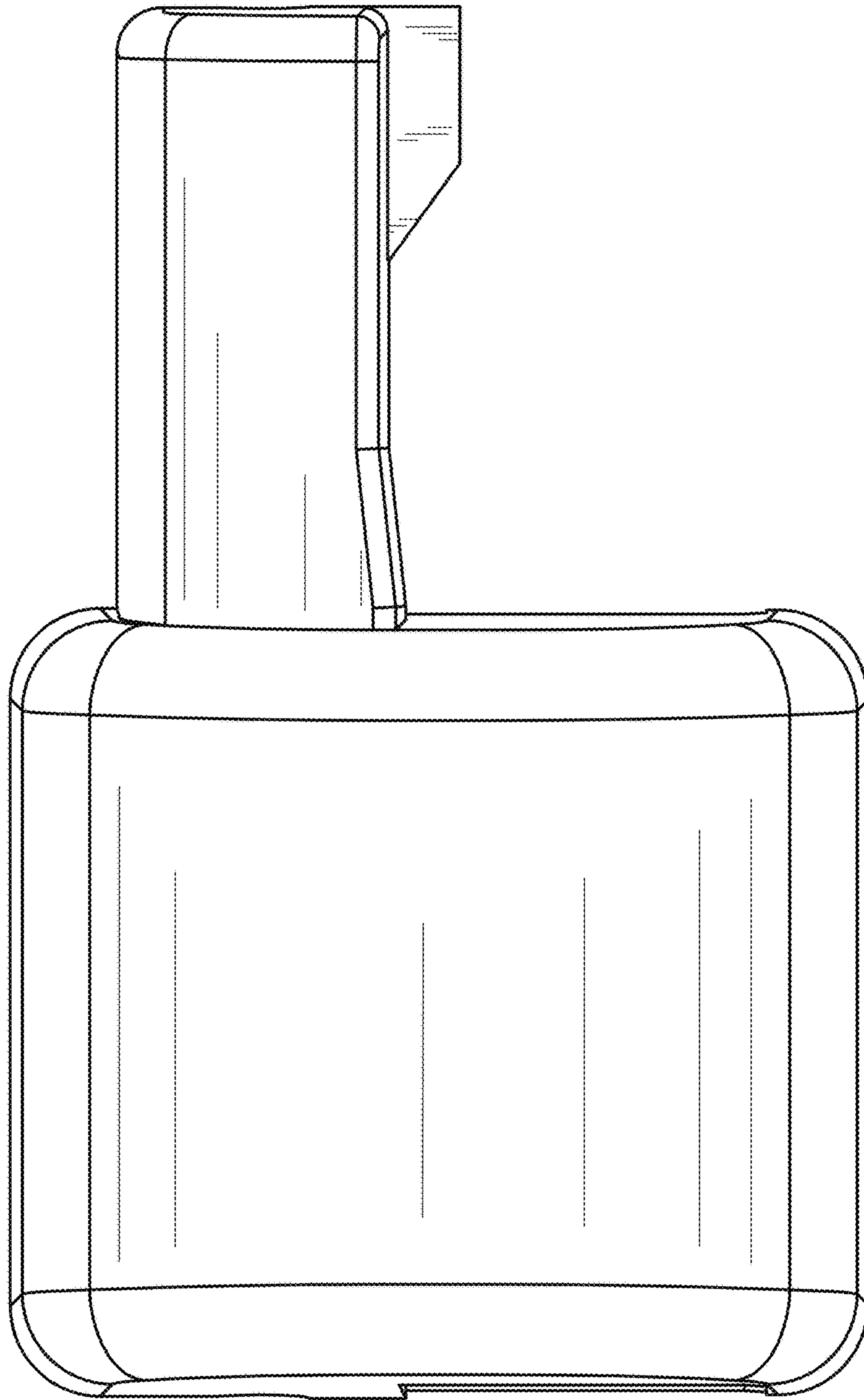


Fig. 1

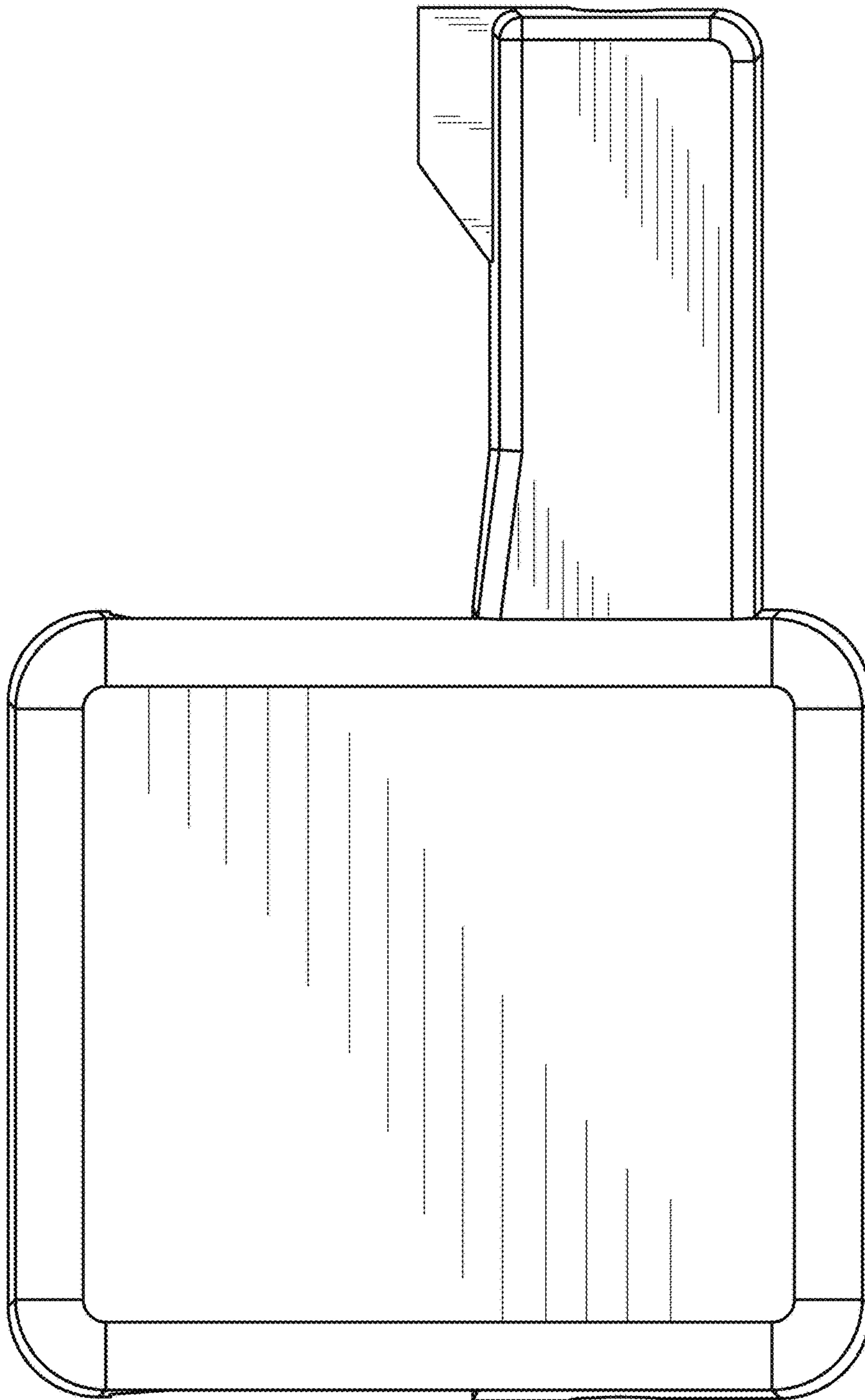


Fig. 2

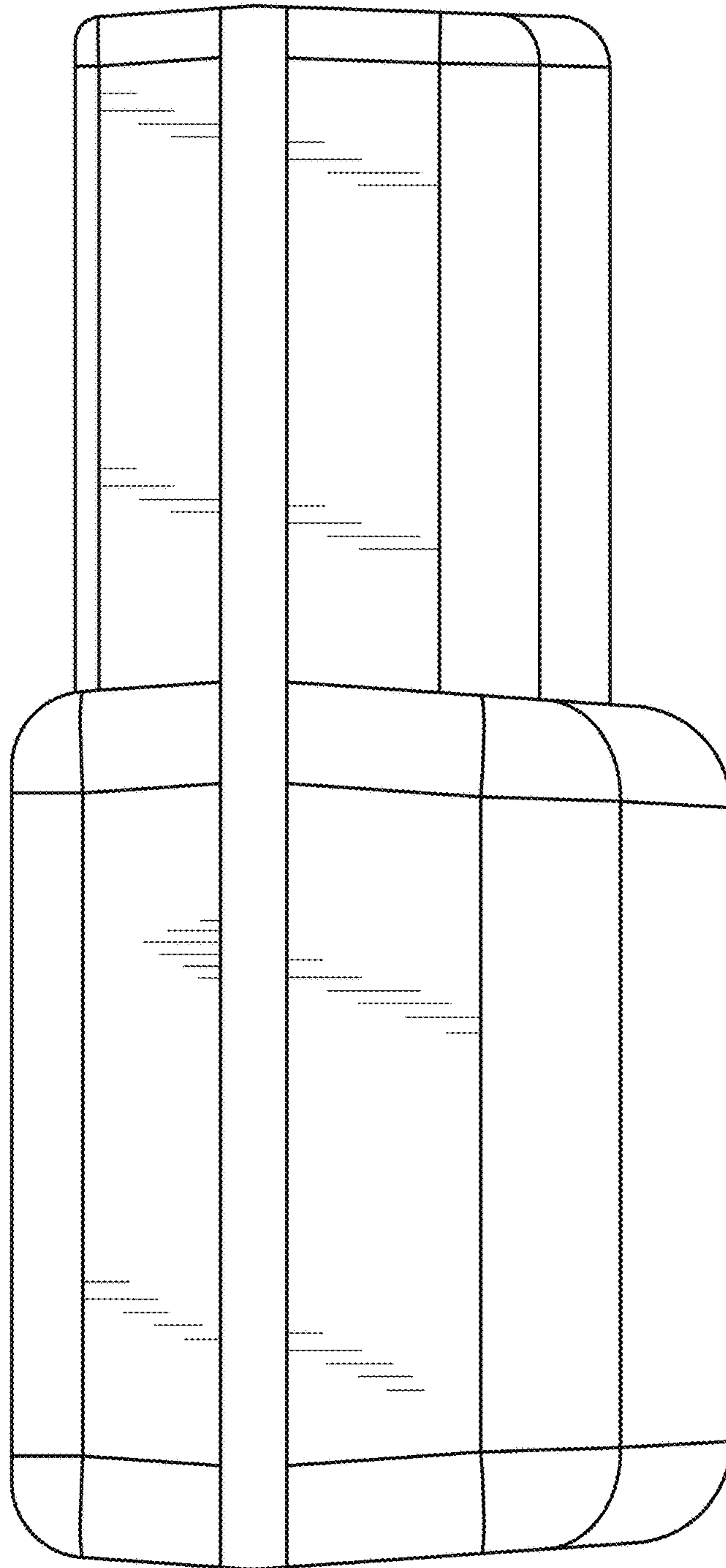


Fig. 3

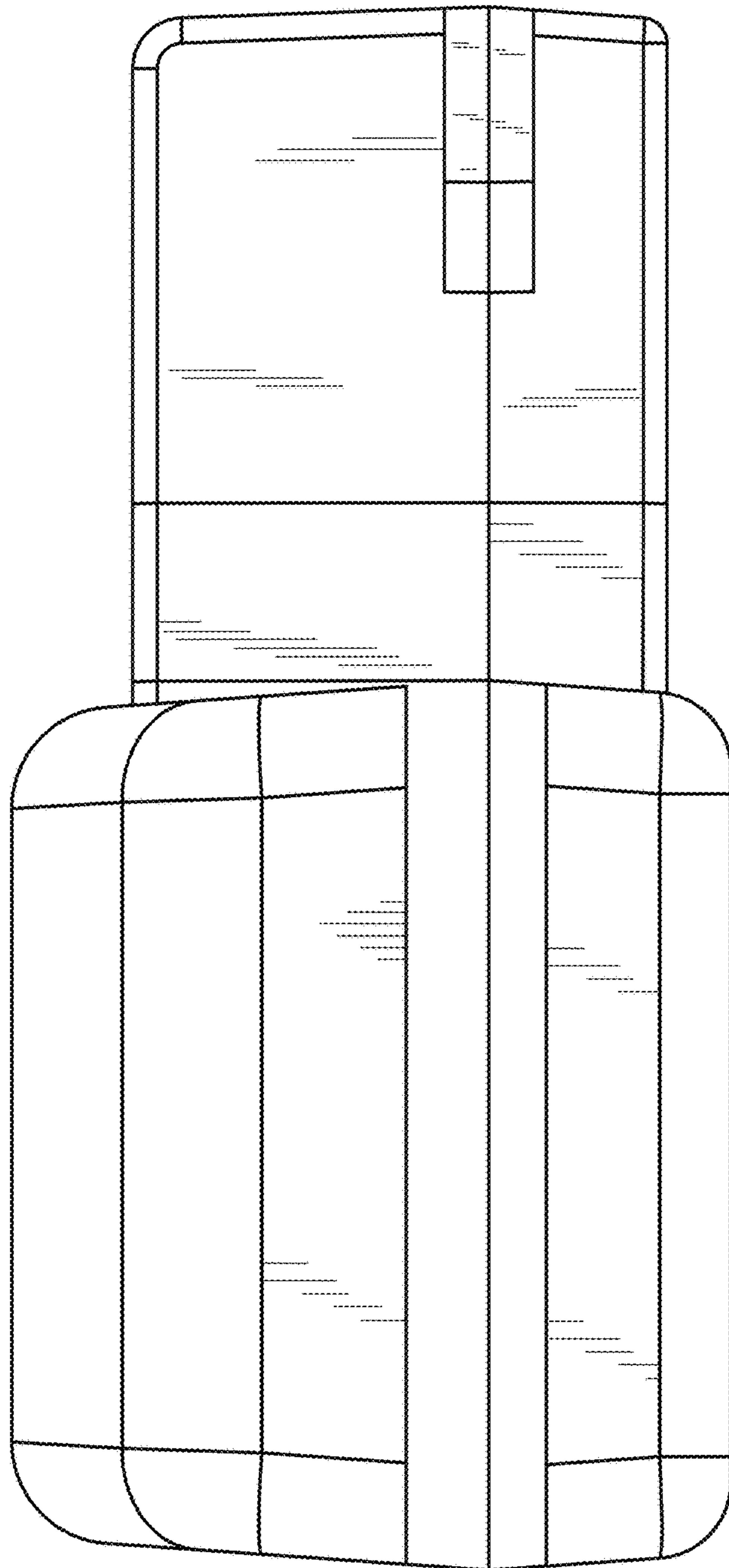


Fig. 4

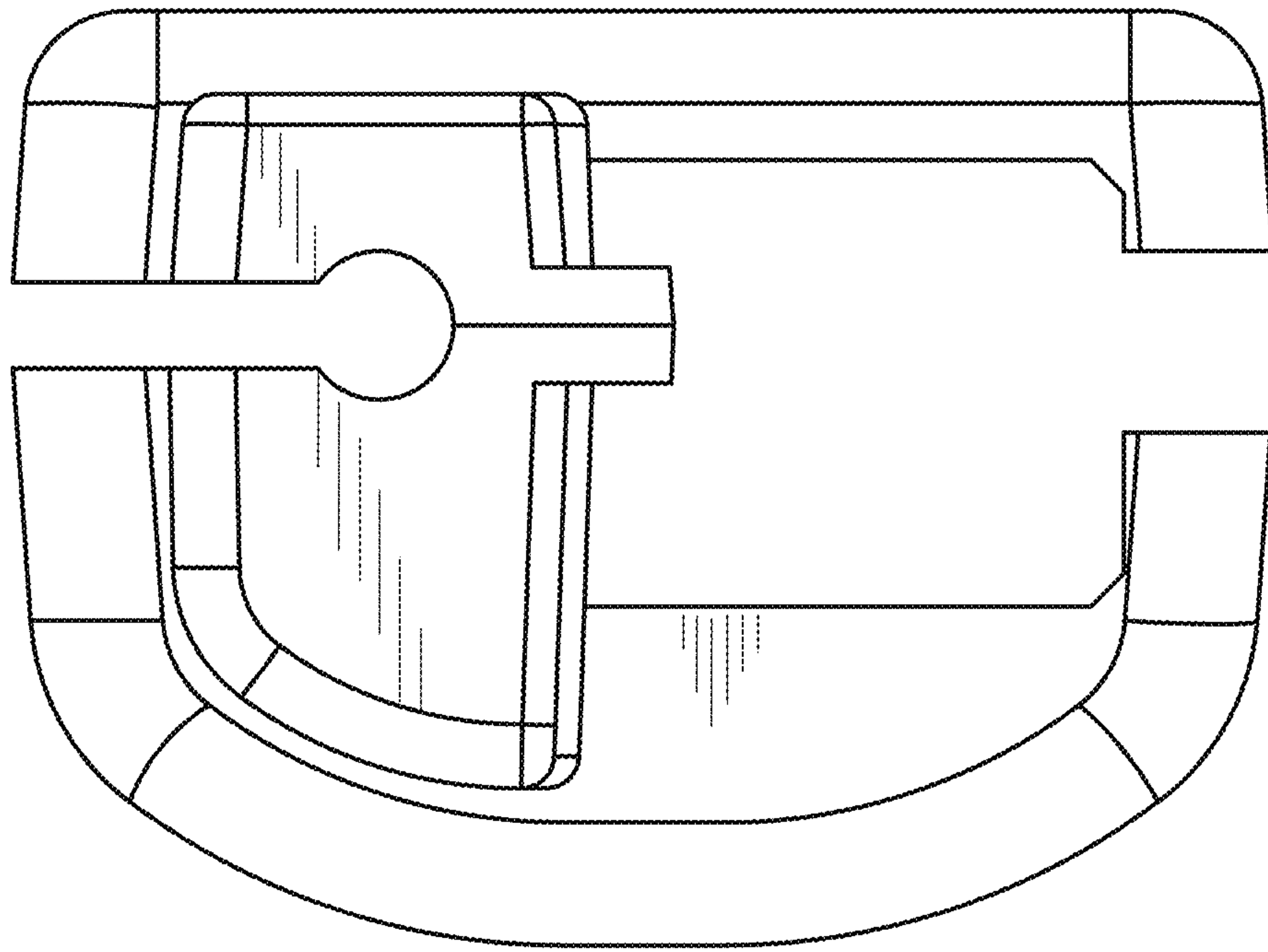


Fig. 5

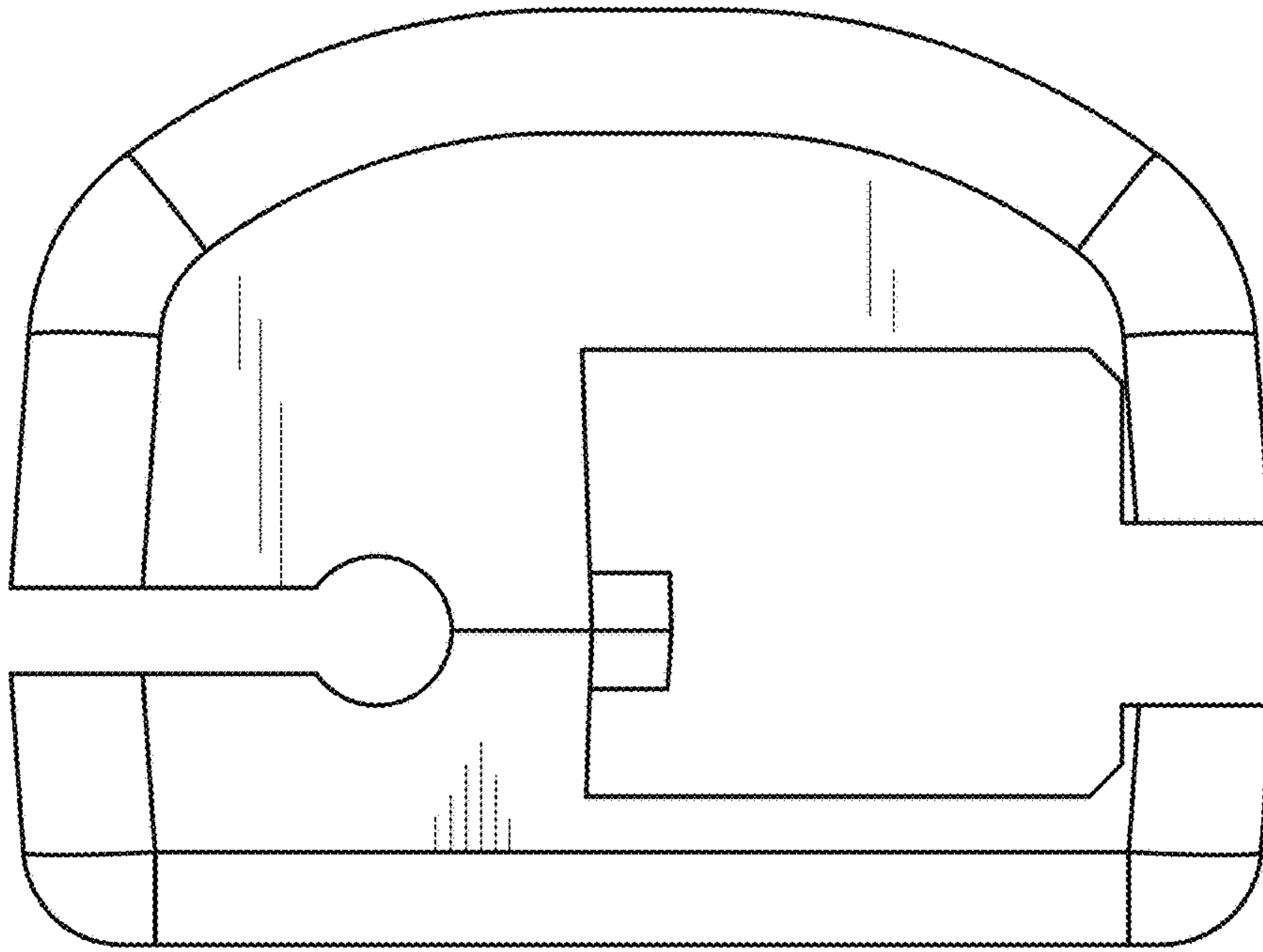


Fig. 6

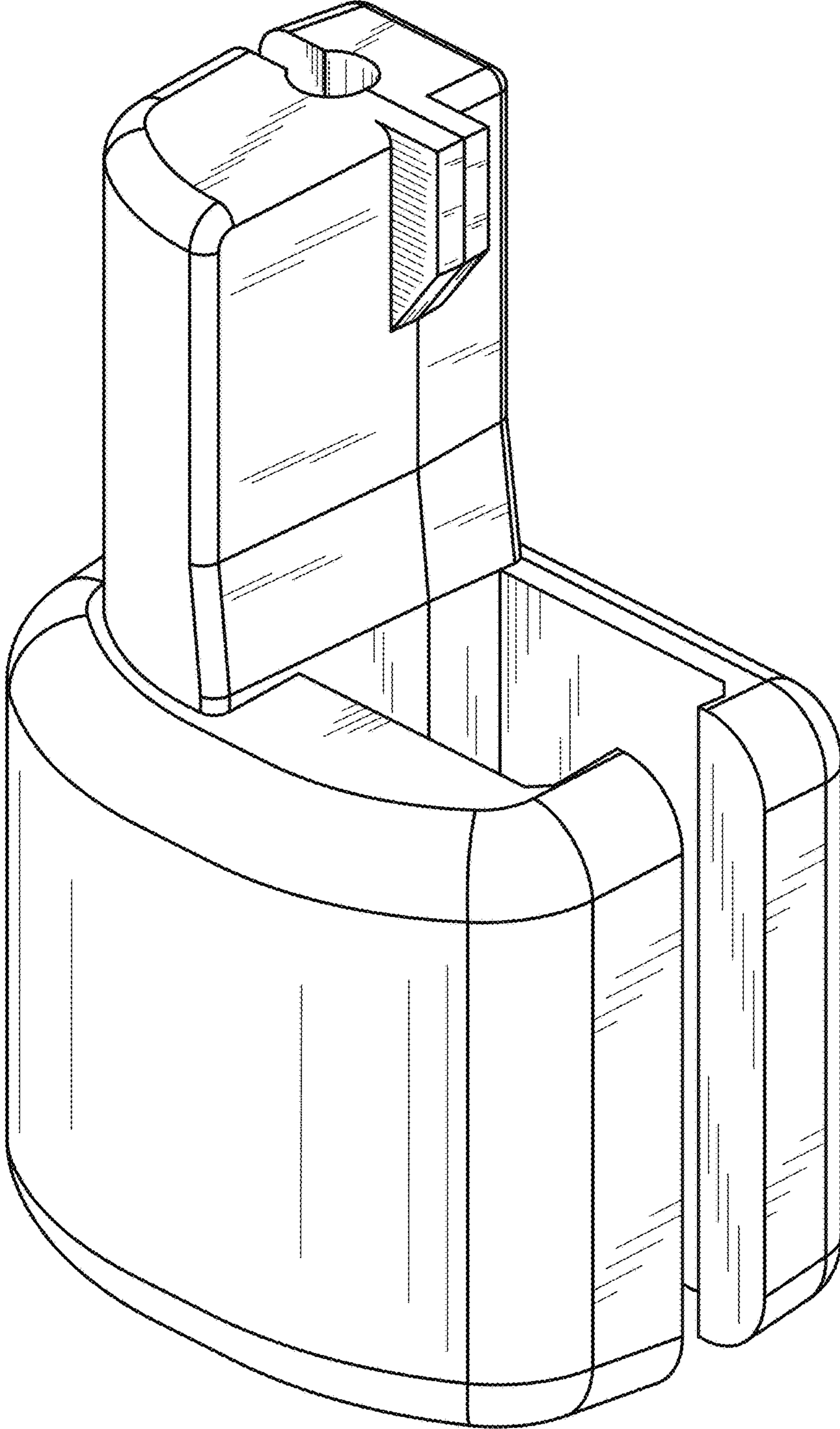


Fig. 7

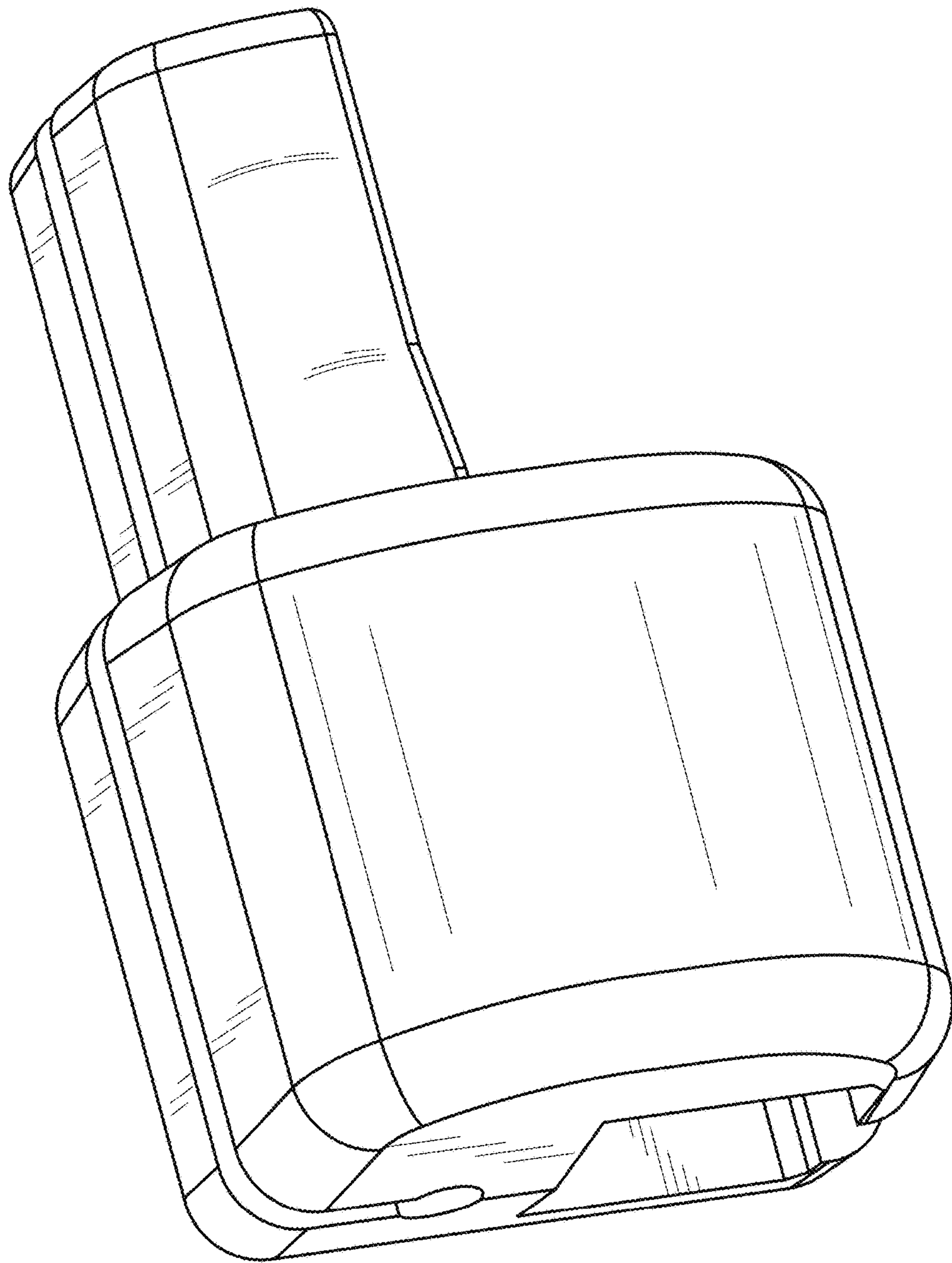


Fig. 8

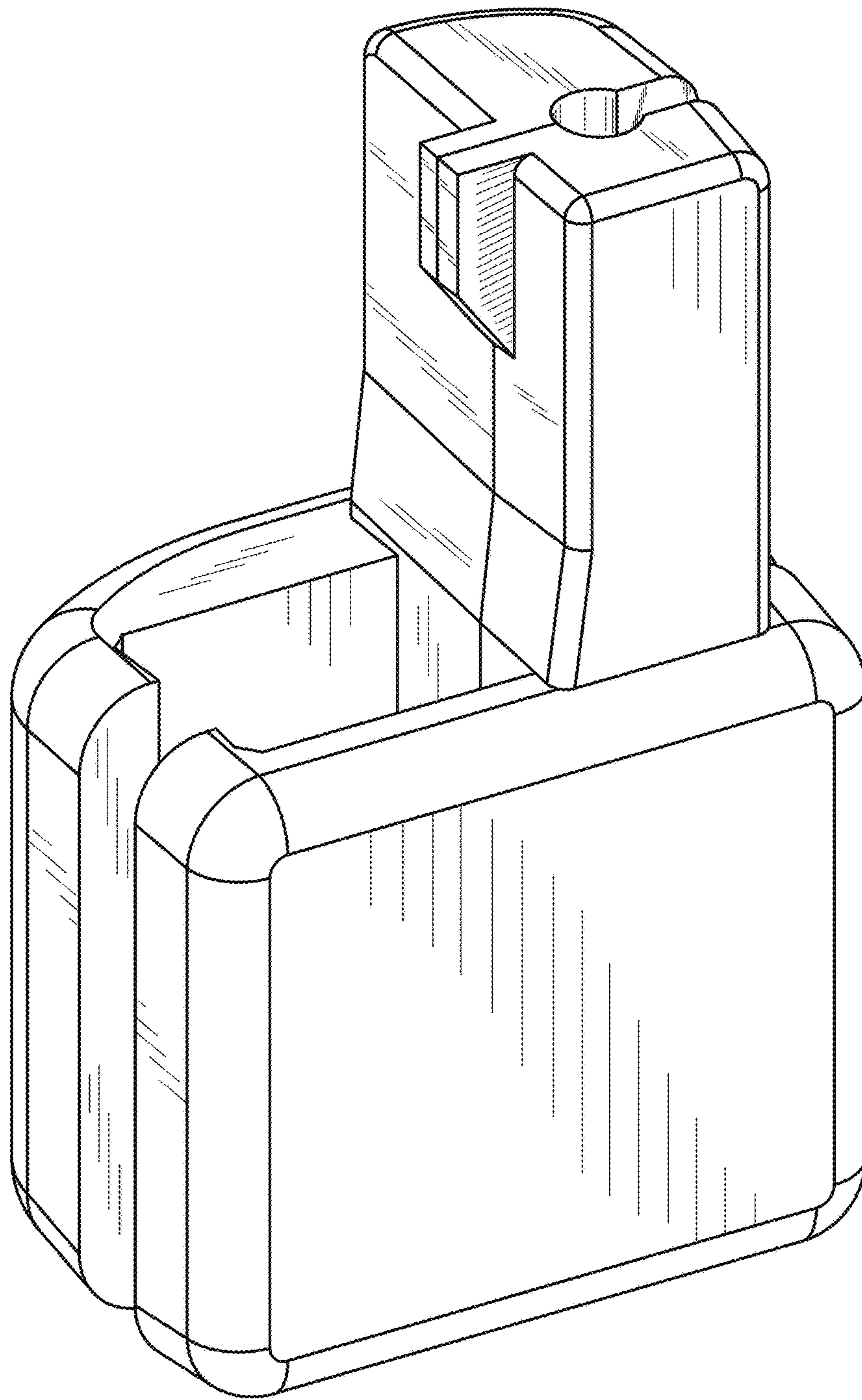


Fig. 9

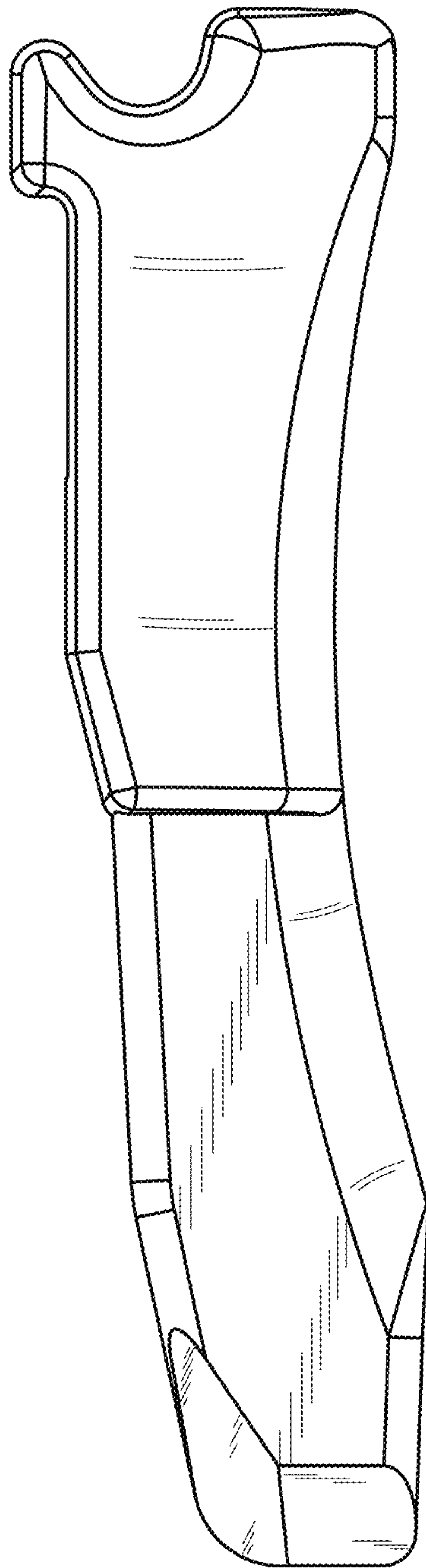


Fig. 10

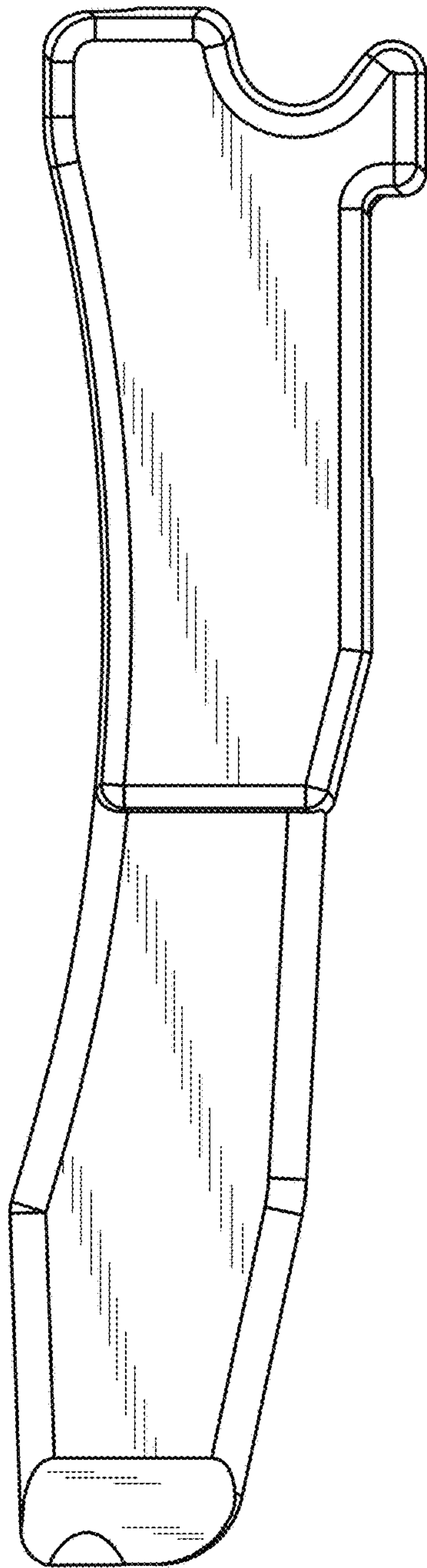


Fig. 11

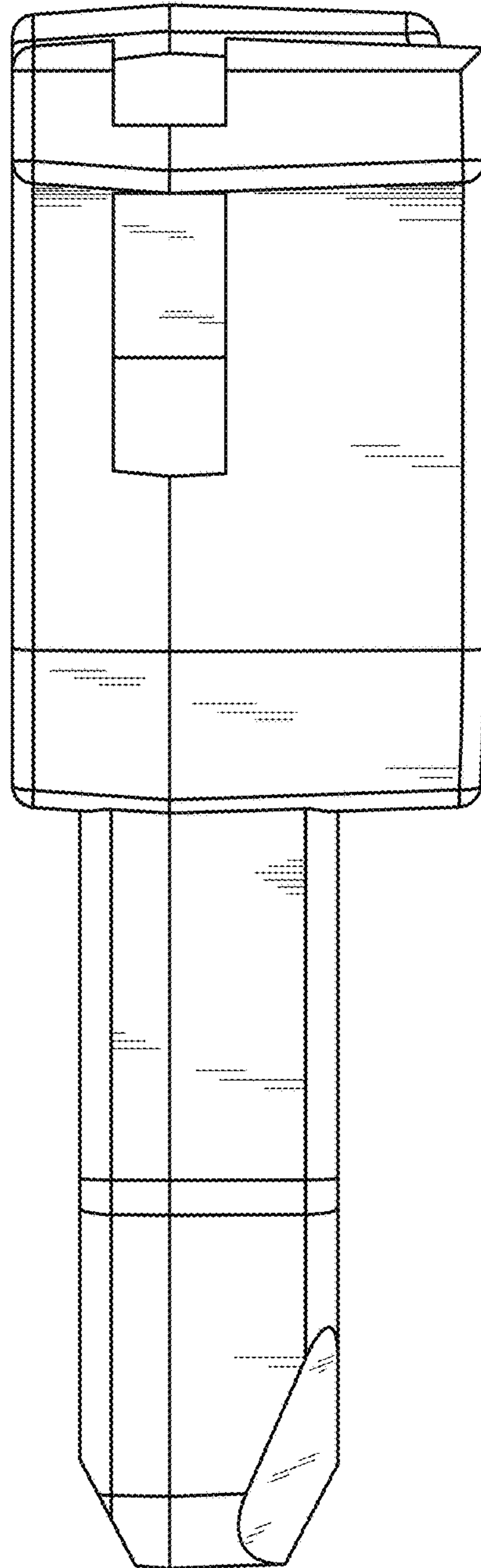


Fig. 12

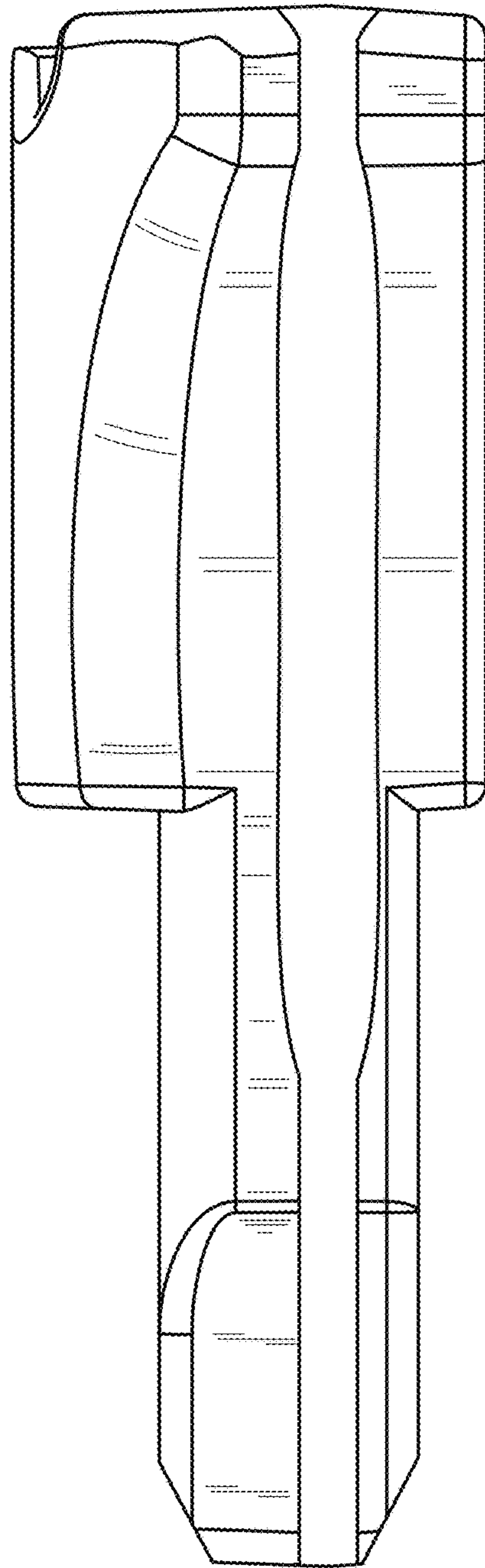


Fig. 13

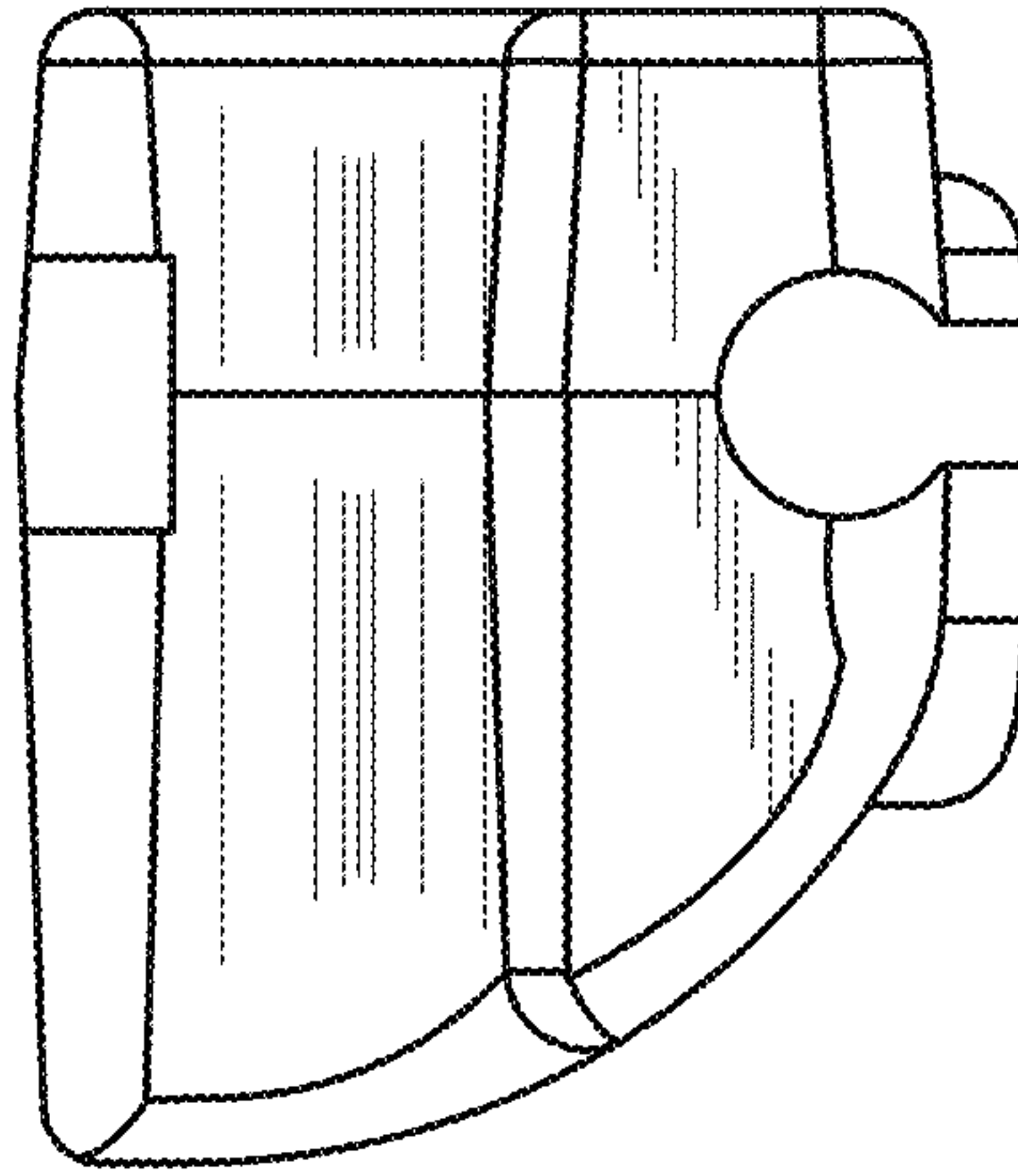


Fig. 14

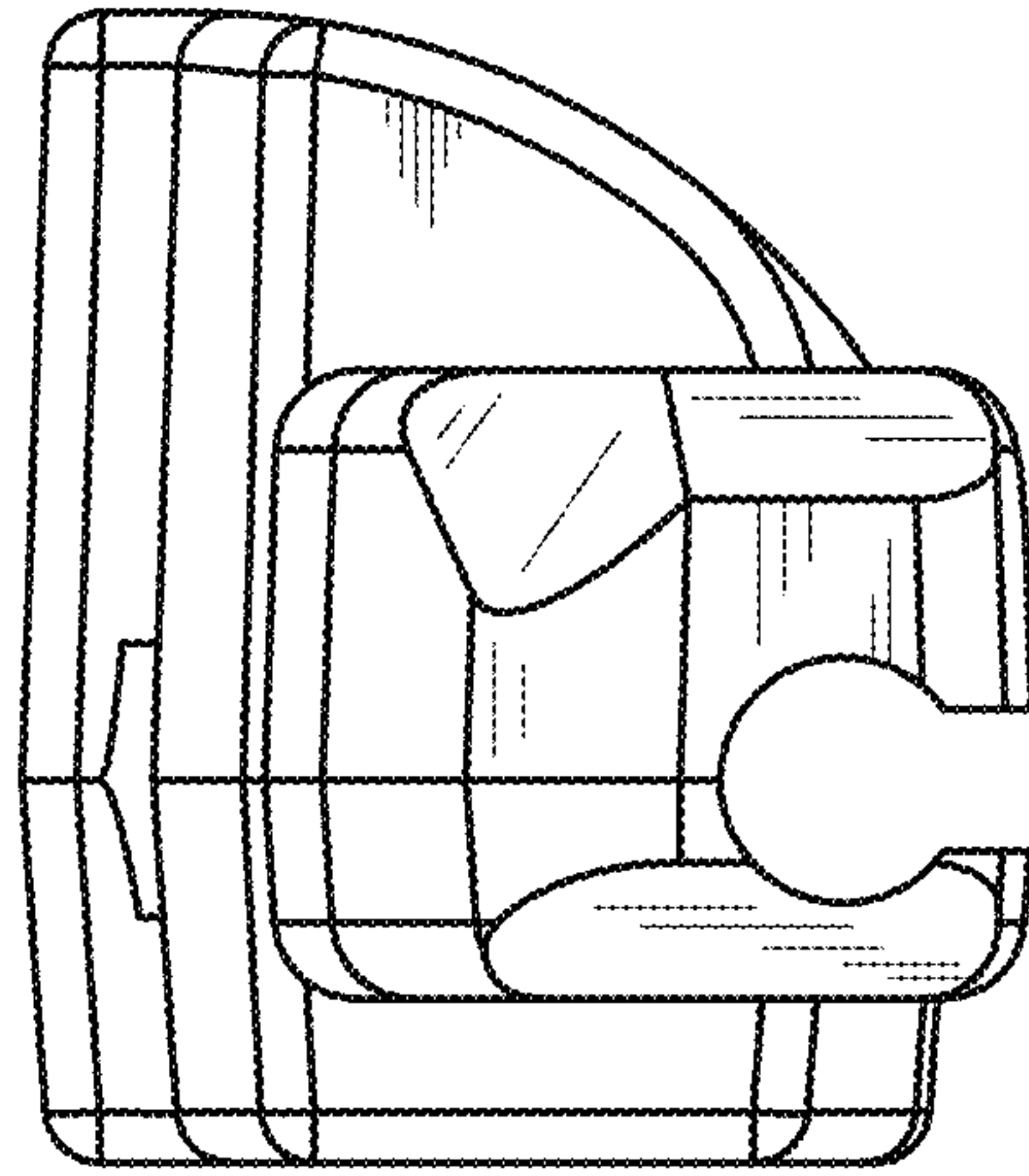


Fig. 15

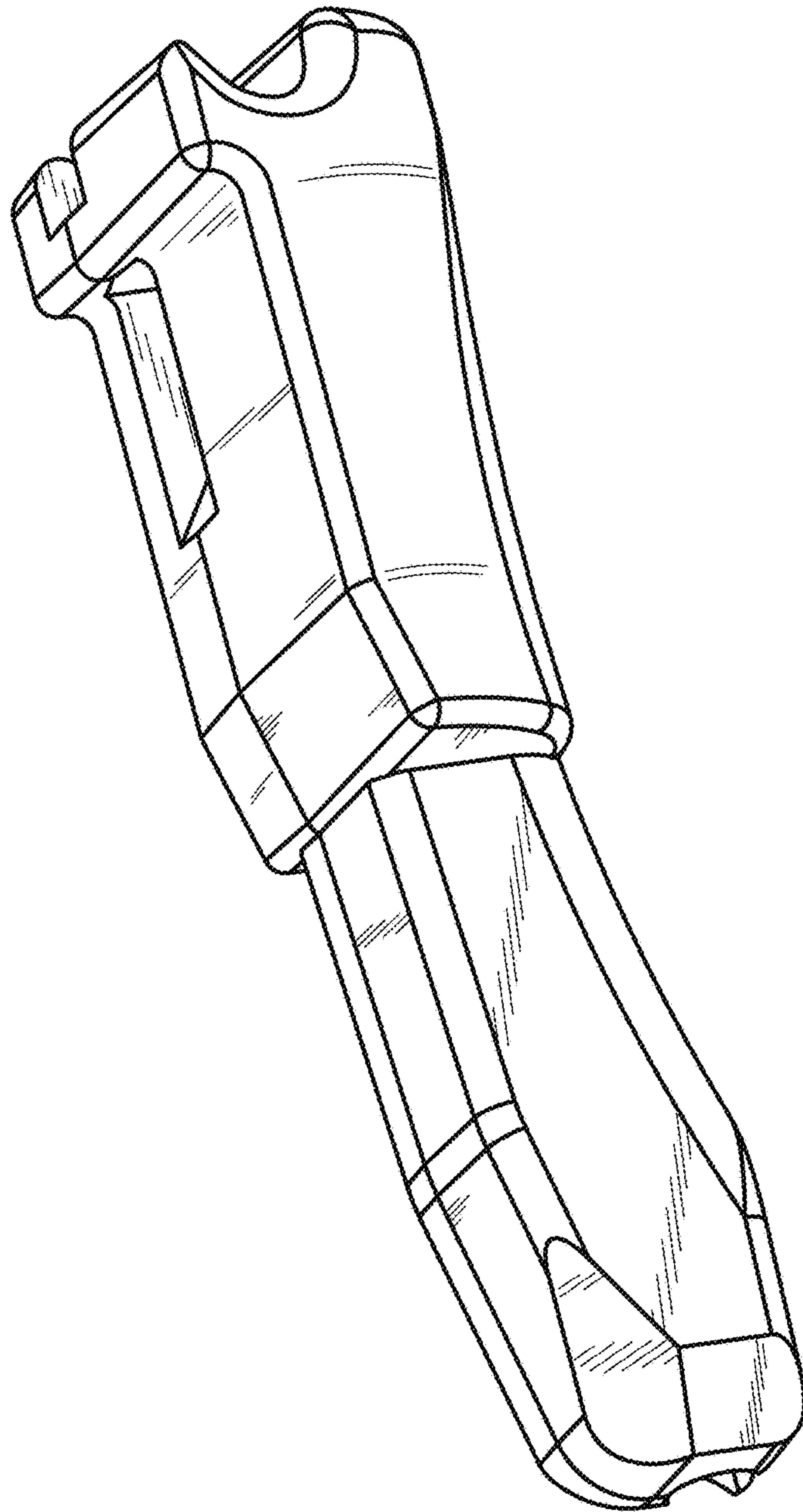


Fig. 16

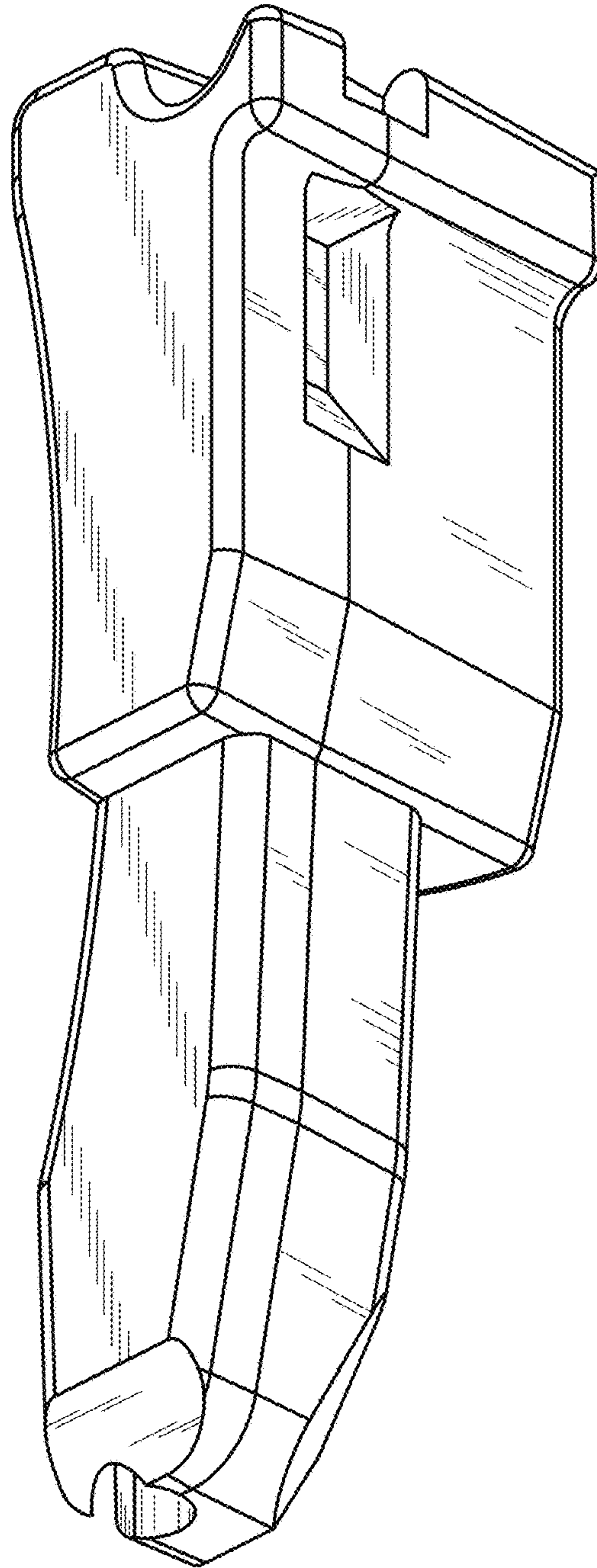


Fig. 17

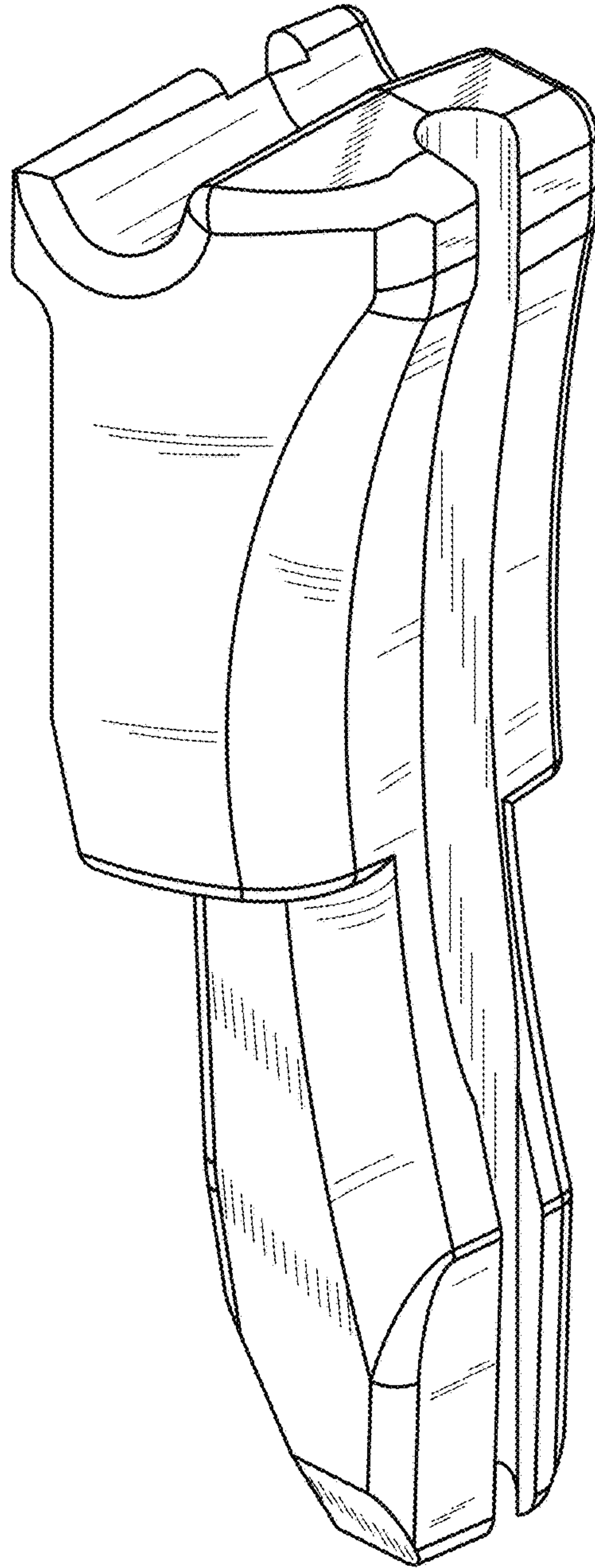


Fig. 18

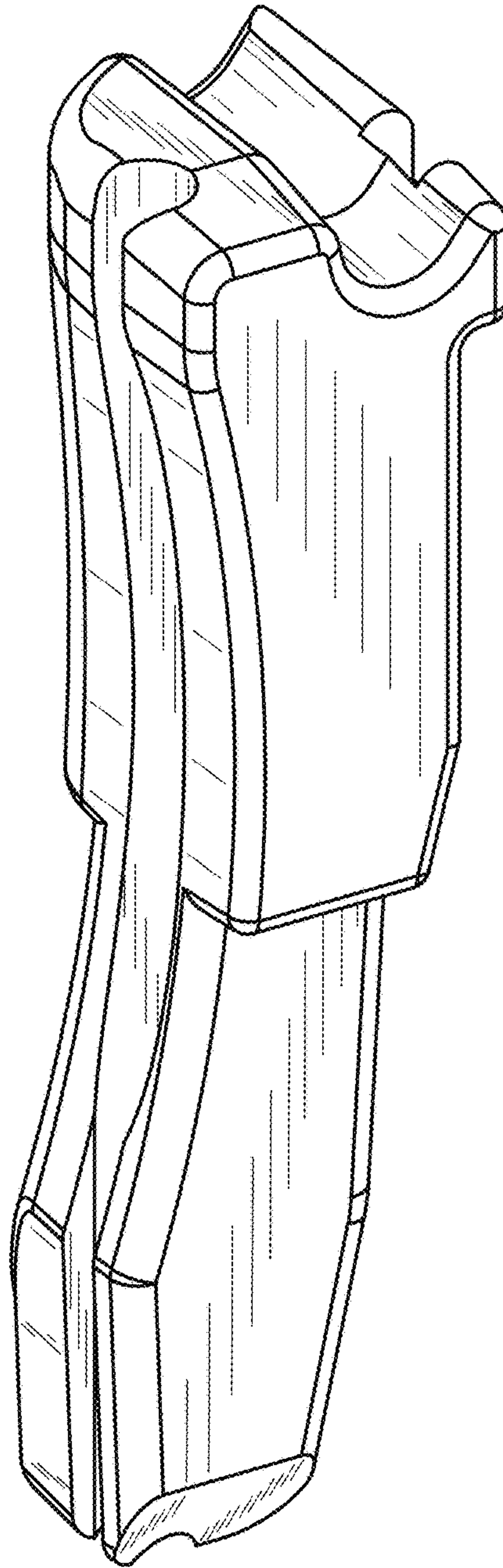


Fig. 19

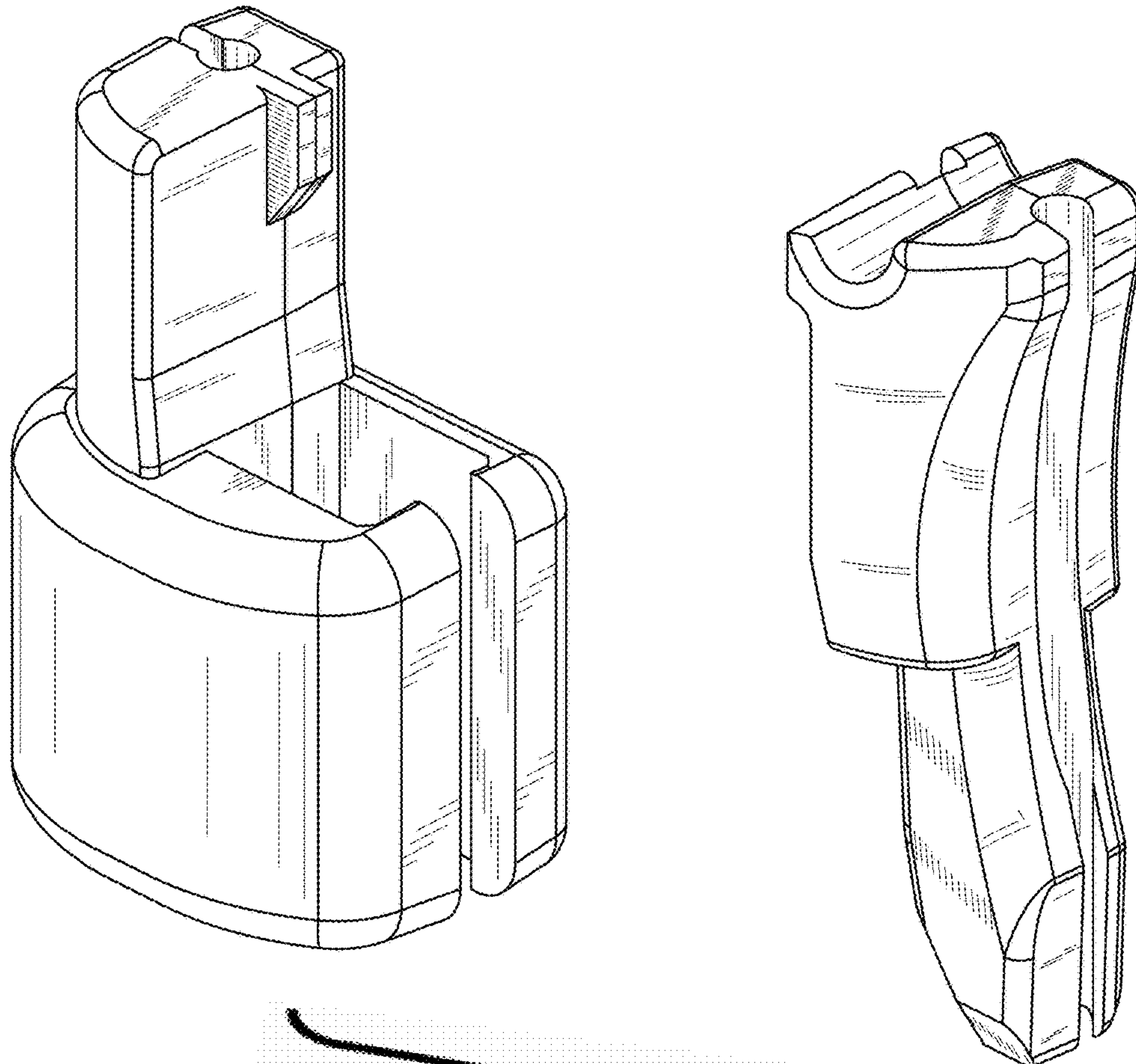


Fig. 20

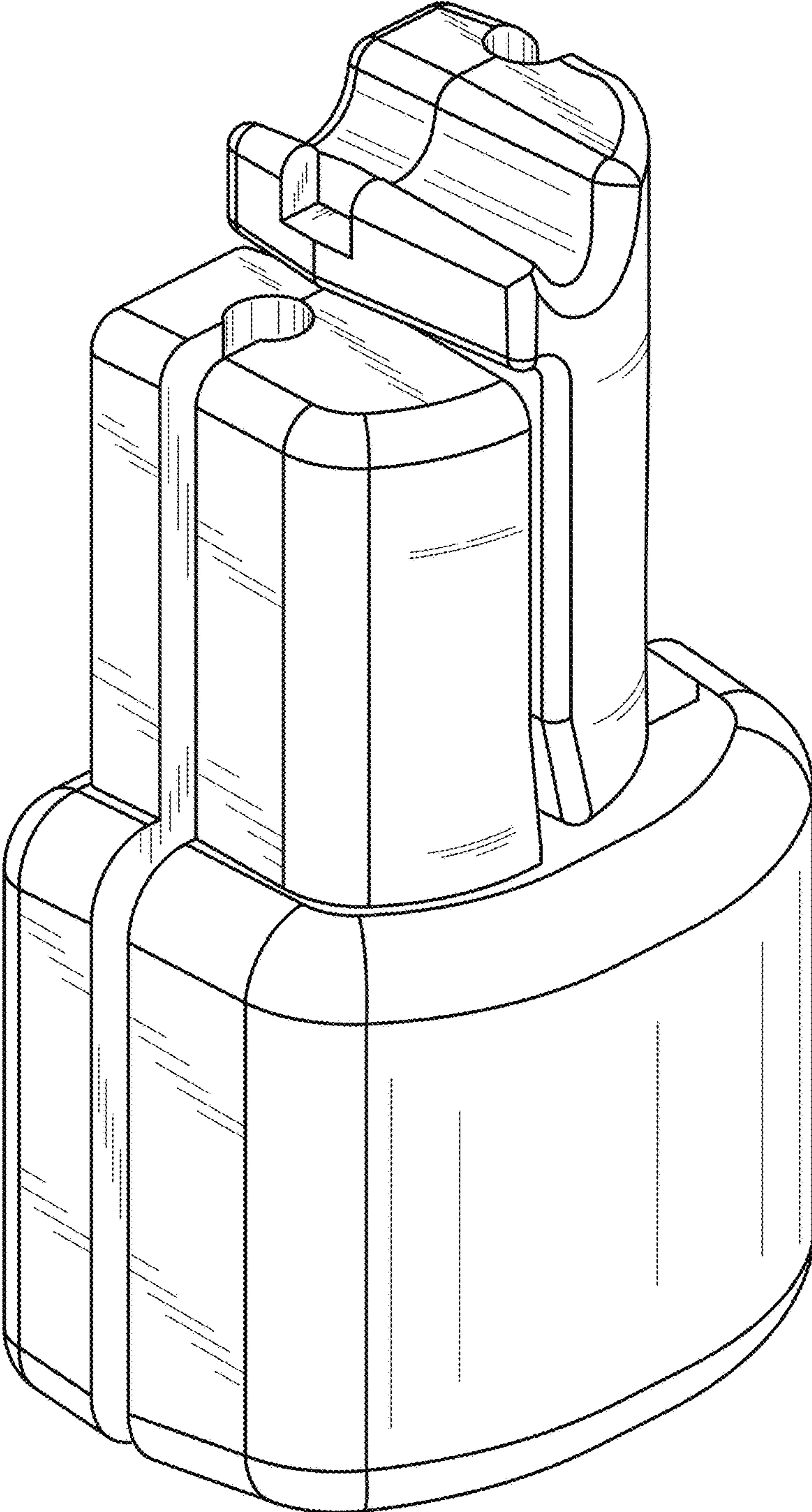


Fig. 21

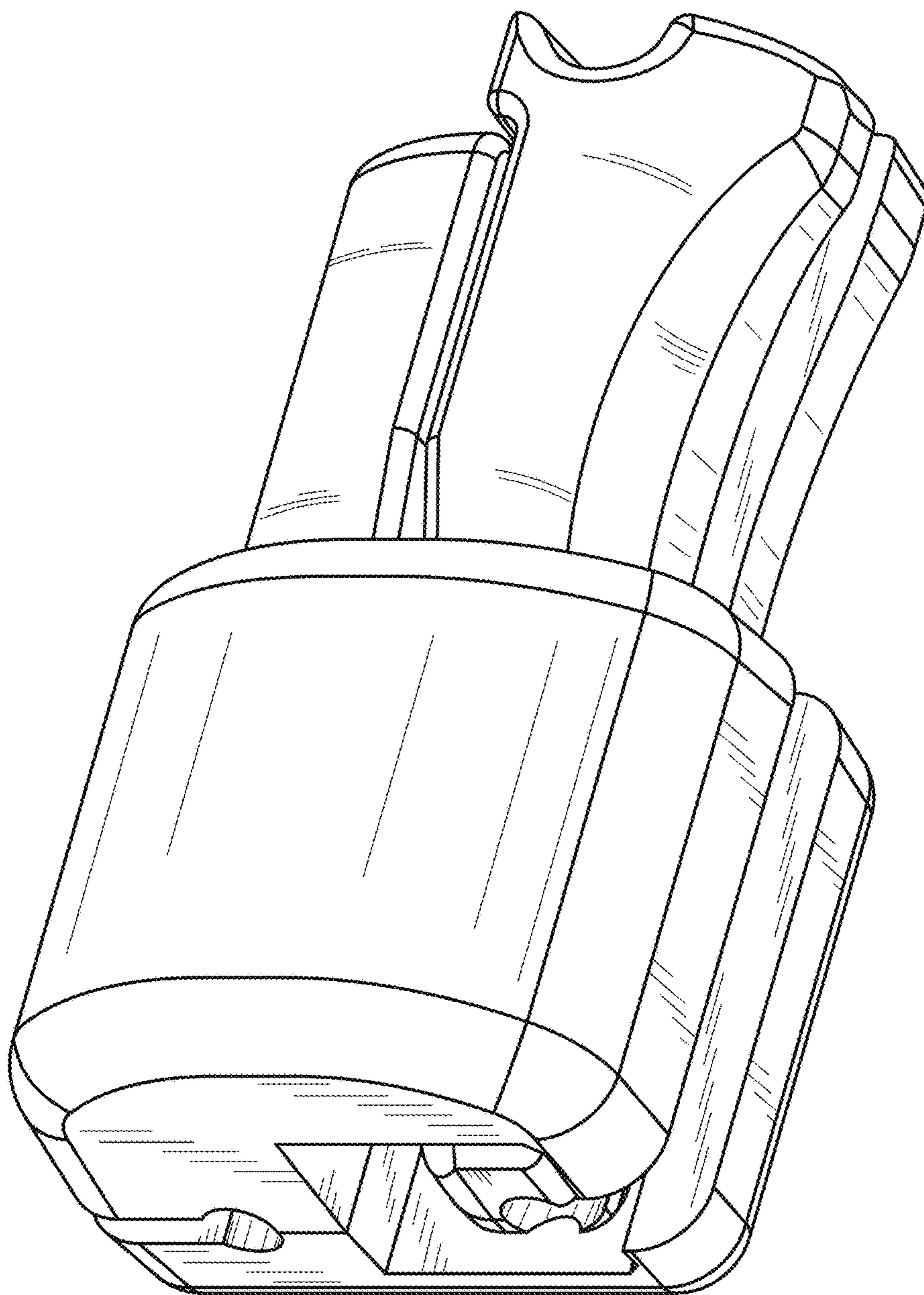


Fig. 22

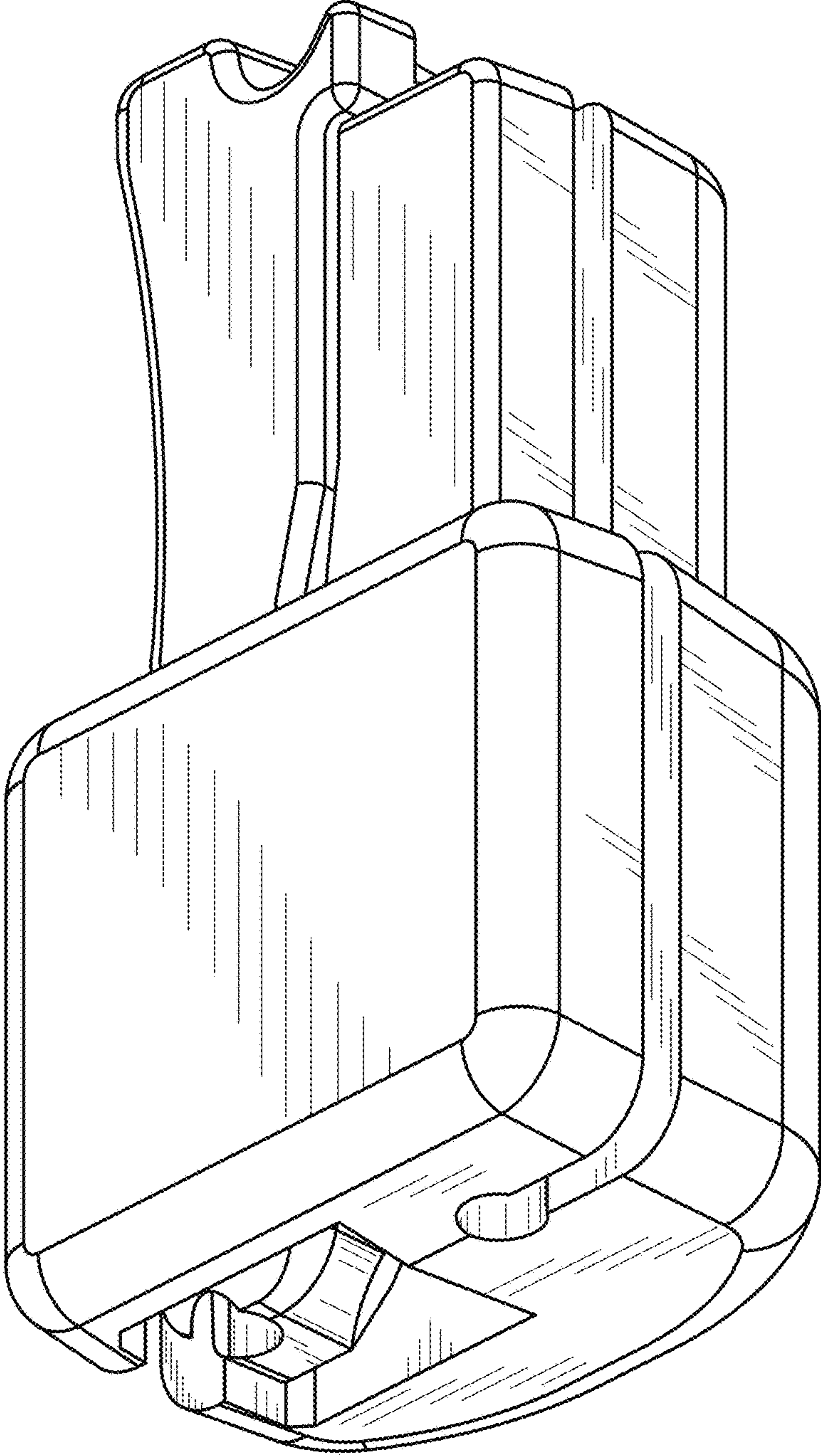


Fig. 23

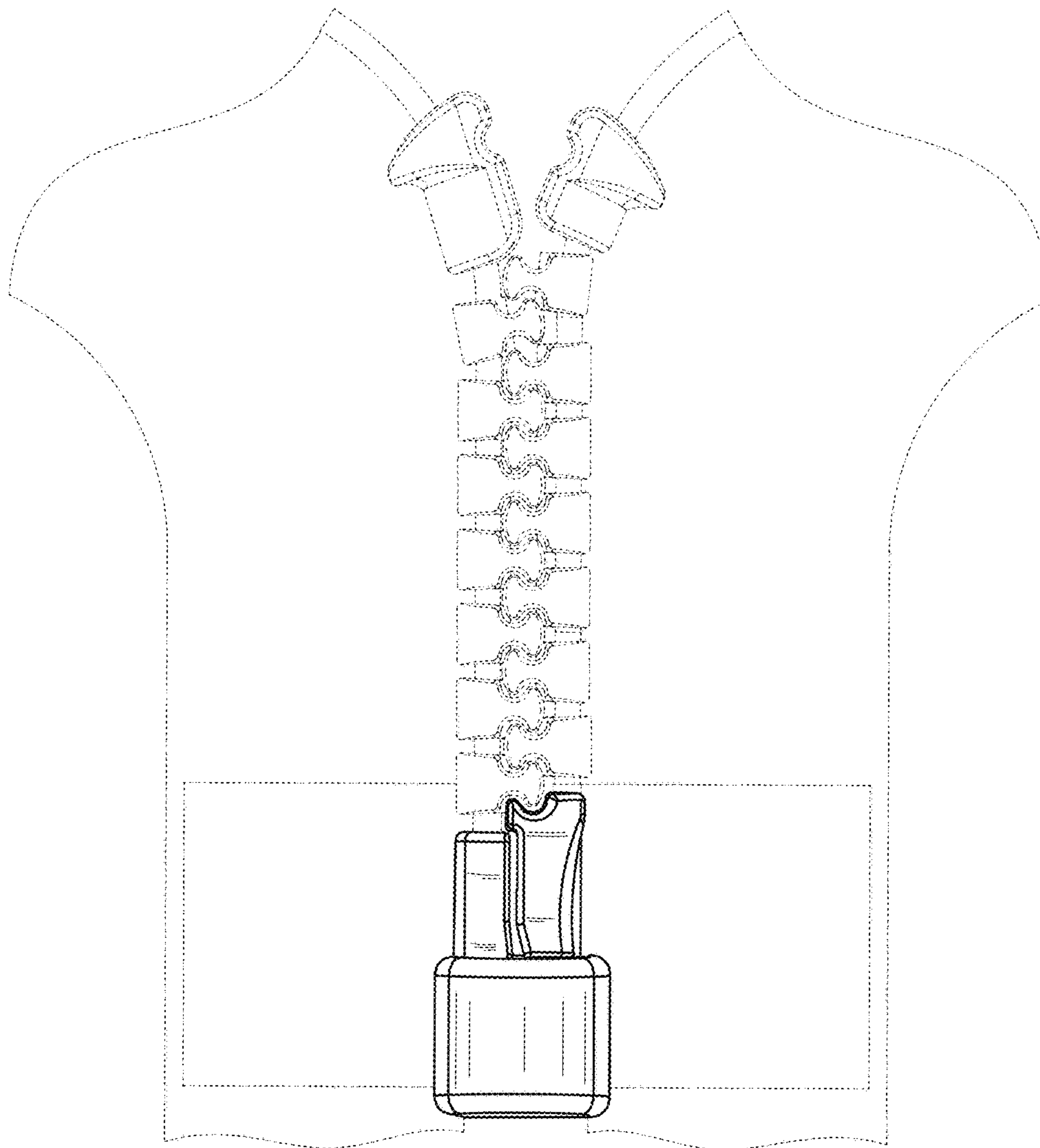


Fig. 24

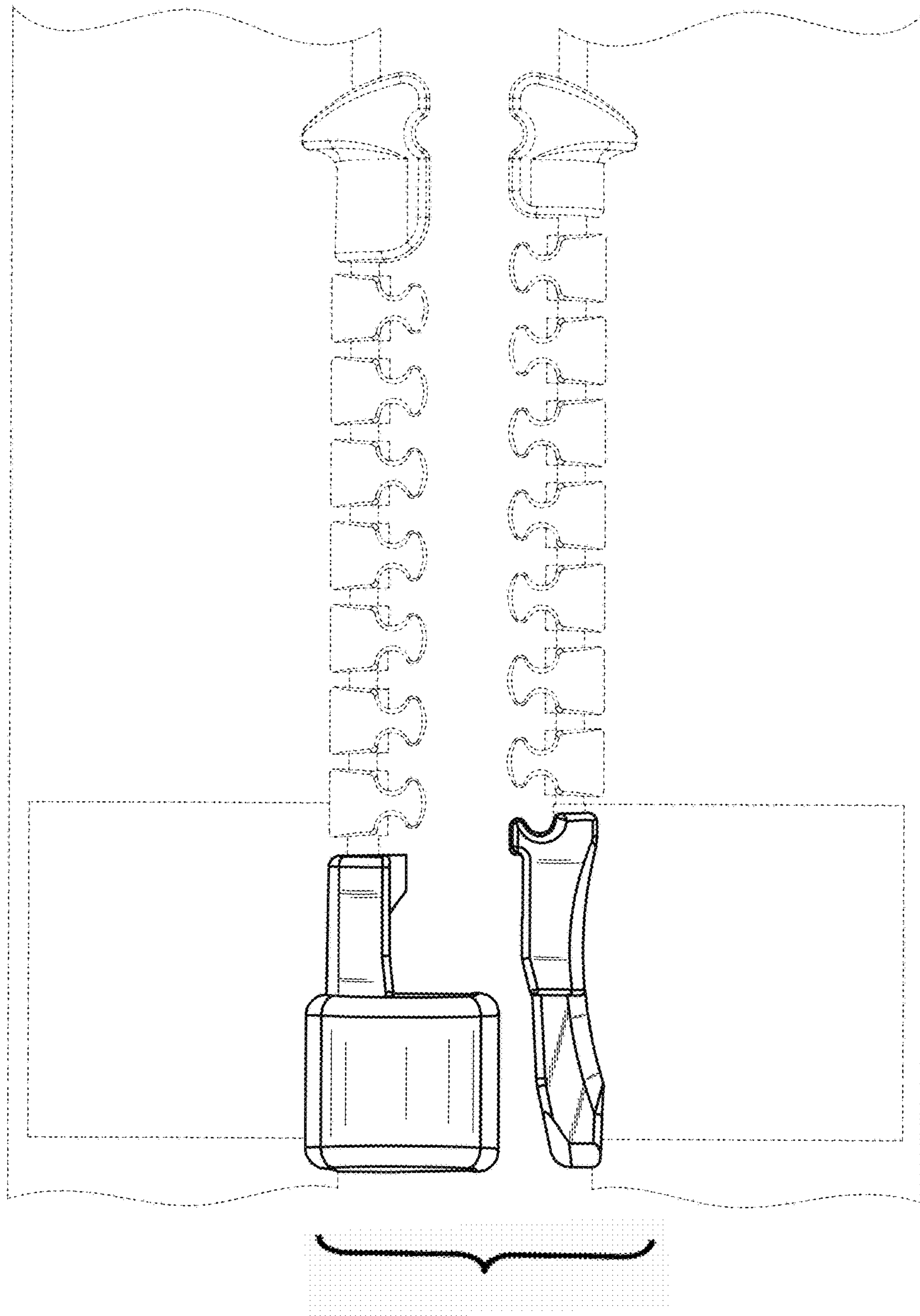


Fig. 25

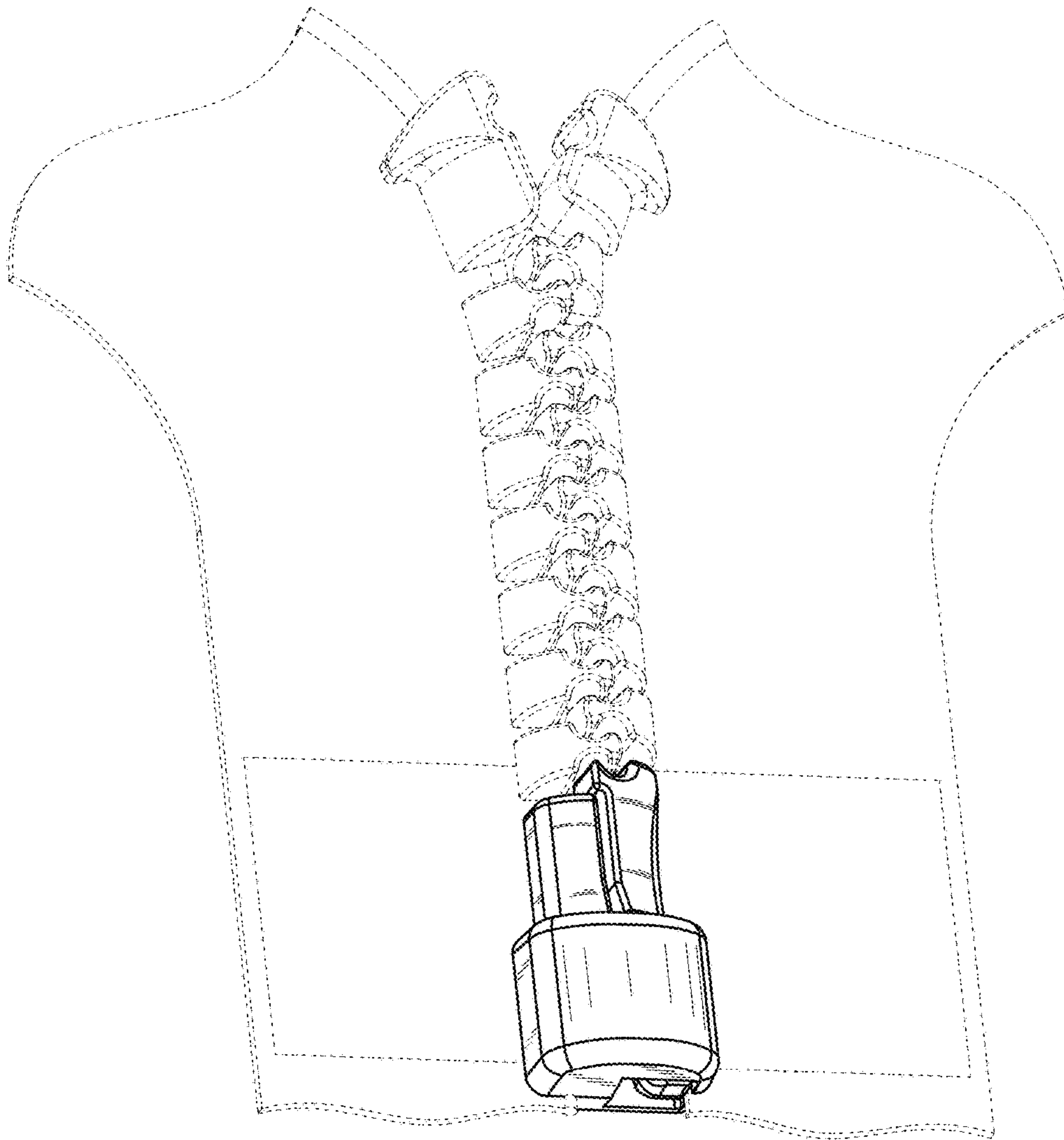


Fig. 26