



US00D833908S

(12) **United States Design Patent** (10) **Patent No.:** **US D833,908 S**  
**Yep** (45) **Date of Patent:** **\*\* Nov. 20, 2018**

(54) **MULTI-STONE SETTING**  
(71) Applicant: **New Atlantic Assets Limited**, Tortola Island (VG)  
(72) Inventor: **Mau Koung Yep**, Hong Kong (HK)  
(\*\*) Term: **15 Years**  
(21) Appl. No.: **29/608,999**  
(22) Filed: **Jun. 27, 2017**  
(51) **LOC (11) Cl.** ..... **11-01**  
(52) **U.S. Cl.**  
USPC ..... **D11/91**  
(58) **Field of Classification Search**  
USPC ..... D11/1-43, 47, 77-80, 85, 86, 89-92  
CPC .. A44C 13/00; A44C 1/00; A44C 5/00; A44C 5/0007; A44C 5/0015; A44C 5/0023; A44C 5/003; A44C 5/0084; A44C 5/0092; A44C 7/00; A44C 7/001; A44C 7/002; A44C 7/003; A44C 7/004; A44C 7/005; A44C 9/00; A44C 9/0038; A44C 9/0046; A44C 9/0053; A44C 9/0061; A44C 9/0069; A44C 9/0084; A44C 9/02  
See application file for complete search history.

D443,553 S \* 6/2001 Chan ..... D11/90  
D453,706 S \* 2/2002 Lai ..... D11/91  
D459,679 S \* 7/2002 Patumraj ..... D11/91  
D468,228 S \* 1/2003 Gurevich ..... D11/91  
D473,816 S \* 4/2003 Gurevich ..... D11/91  
D534,095 S \* 12/2006 Lai ..... D11/92  
D563,261 S \* 3/2008 Shah ..... D11/91  
D794,500 S \* 8/2017 Crafton ..... D11/92  
D798,761 S \* 10/2017 Shah ..... D11/91  
D804,984 S \* 12/2017 Shah ..... D11/91

\* cited by examiner

*Primary Examiner* — Cynthia Ramirez  
*Assistant Examiner* — L. Martinez-Rivera  
(74) *Attorney, Agent, or Firm* — Novoclaims Patent Services LLC

(57) **CLAIM**

The ornamental design for a multi-stone setting, as shown and described.

**DESCRIPTION**

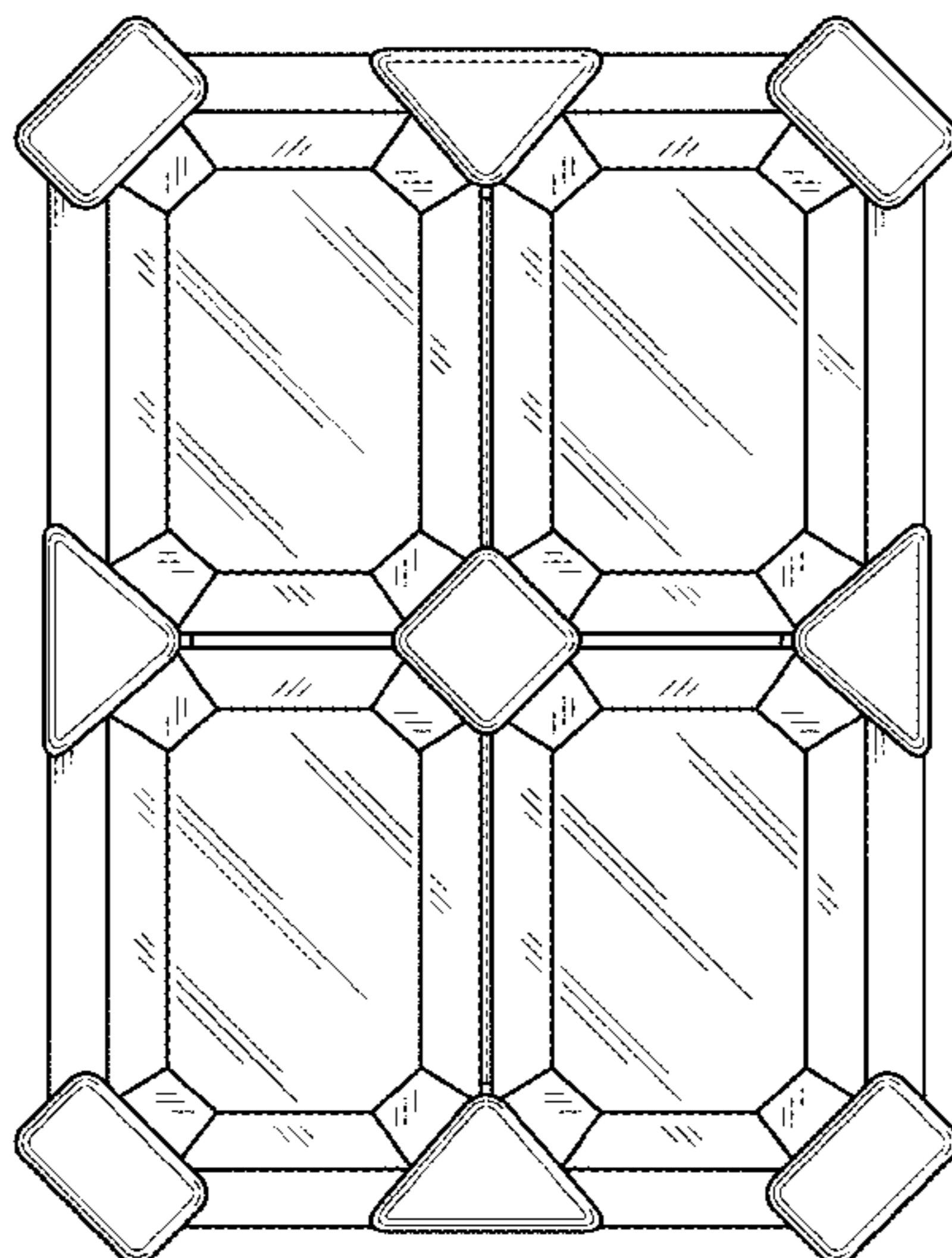
FIG. 1 is a front view of a multi-stone setting showing my new design  
FIG. 2 is a rear view thereof.  
FIG. 3 is a bottom view thereof, the top view being a mirror image thereof.  
FIG. 4 is a right end view thereof, the left end view being a mirror image thereof.  
FIG. 5 is a first perspective view thereof.  
FIG. 6 is a second perspective view thereof.  
FIG. 7 is a third perspective view thereof; and,  
FIG. 8 is a fourth perspective view thereof.  
The broken lines in FIGS. 2, 7 and 8 illustrate portions of the multi-stone setting that form no part of the claimed design.

(56) **References Cited**

U.S. PATENT DOCUMENTS

D68,640 S \* 11/1925 Robbins ..... D11/34  
D114,649 S \* 5/1939 Simon ..... D11/91  
D400,121 S \* 10/1998 Ambar ..... D11/91  
D417,636 S \* 12/1999 Ambar ..... D11/40  
D425,817 S \* 5/2000 Gurevich ..... D11/91  
D430,061 S \* 8/2000 Chan ..... D11/92  
D431,204 S \* 9/2000 Gurevich ..... D11/92  
D442,514 S \* 5/2001 Chan ..... D11/91

**1 Claim, 8 Drawing Sheets**



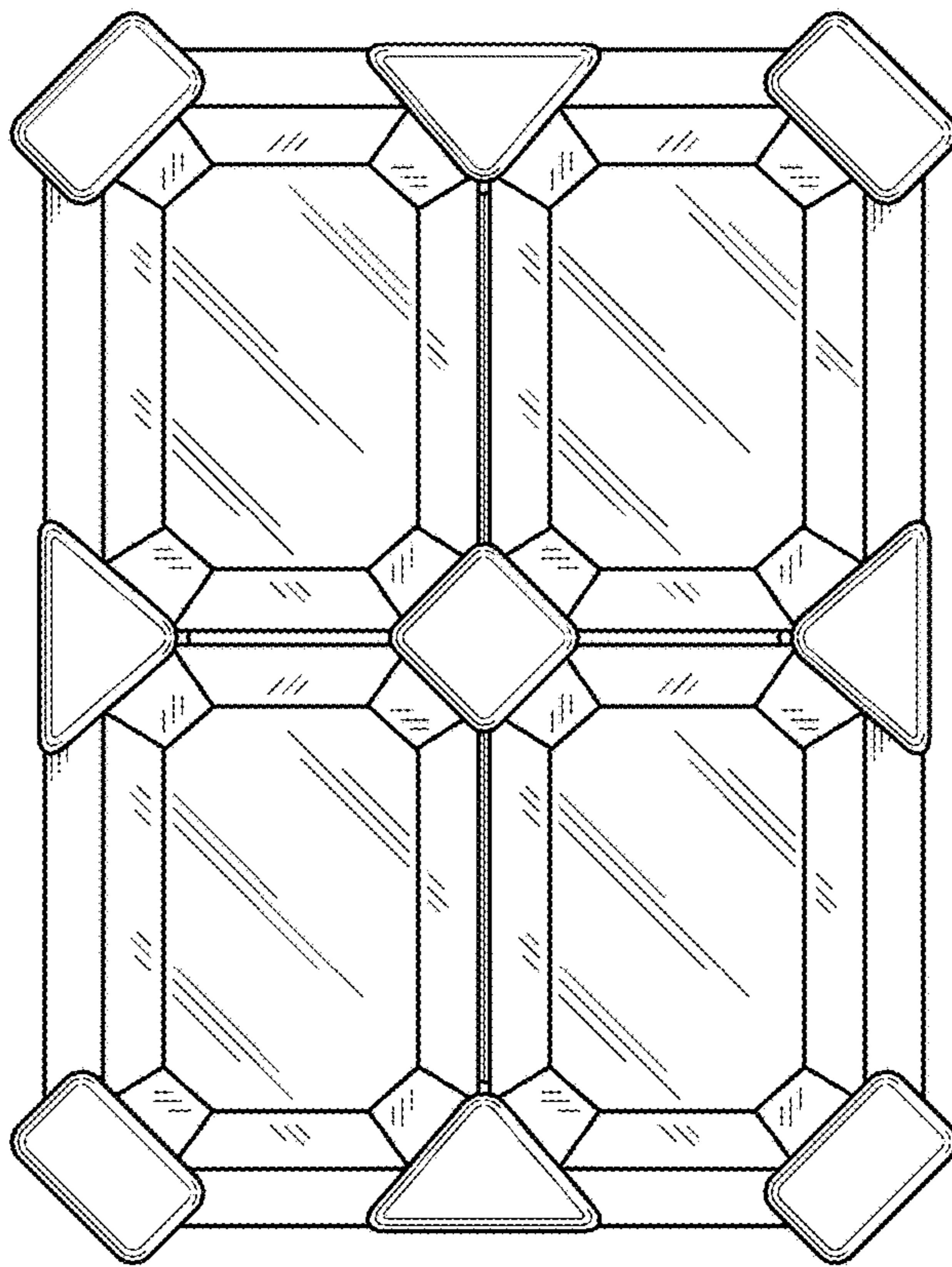


Fig. 1

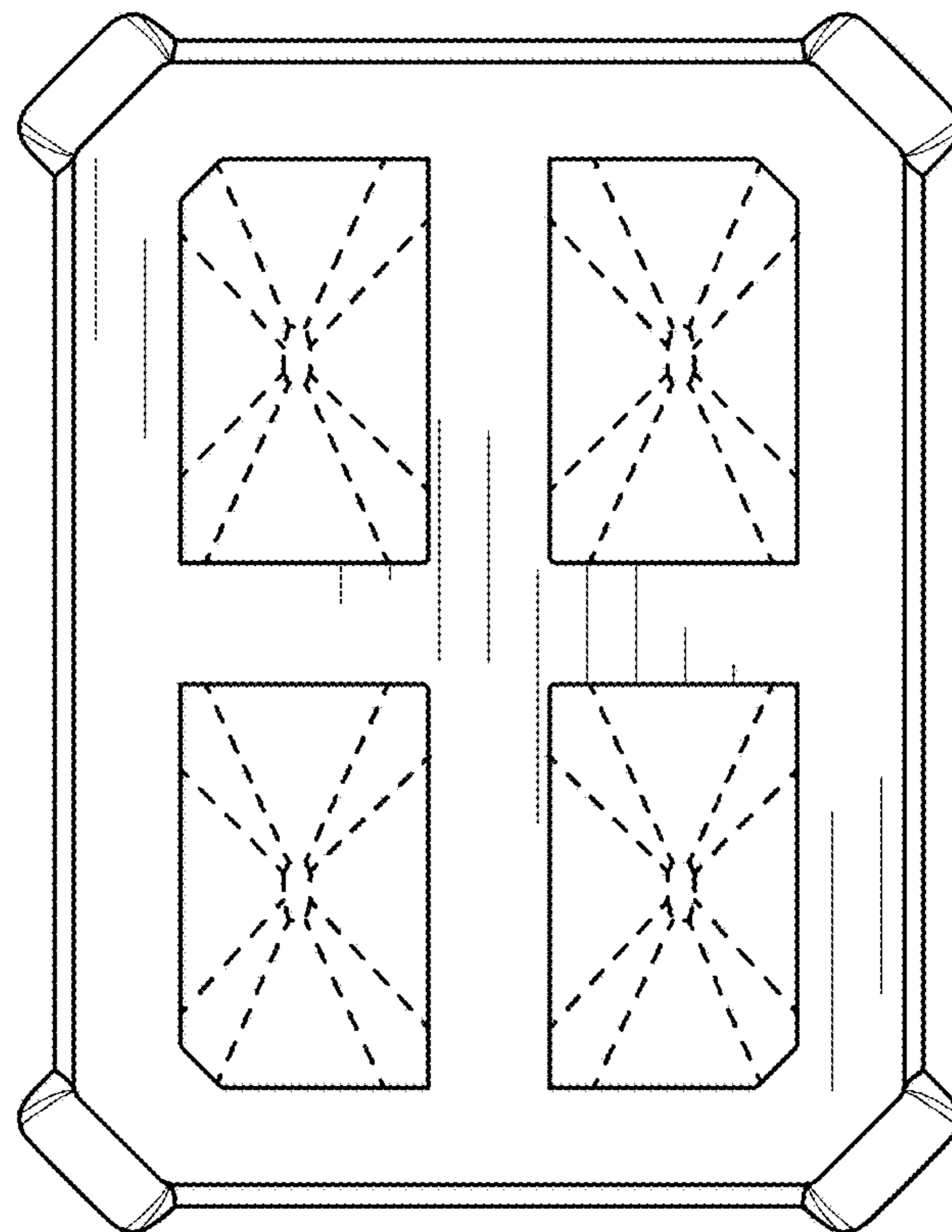


Fig. 2

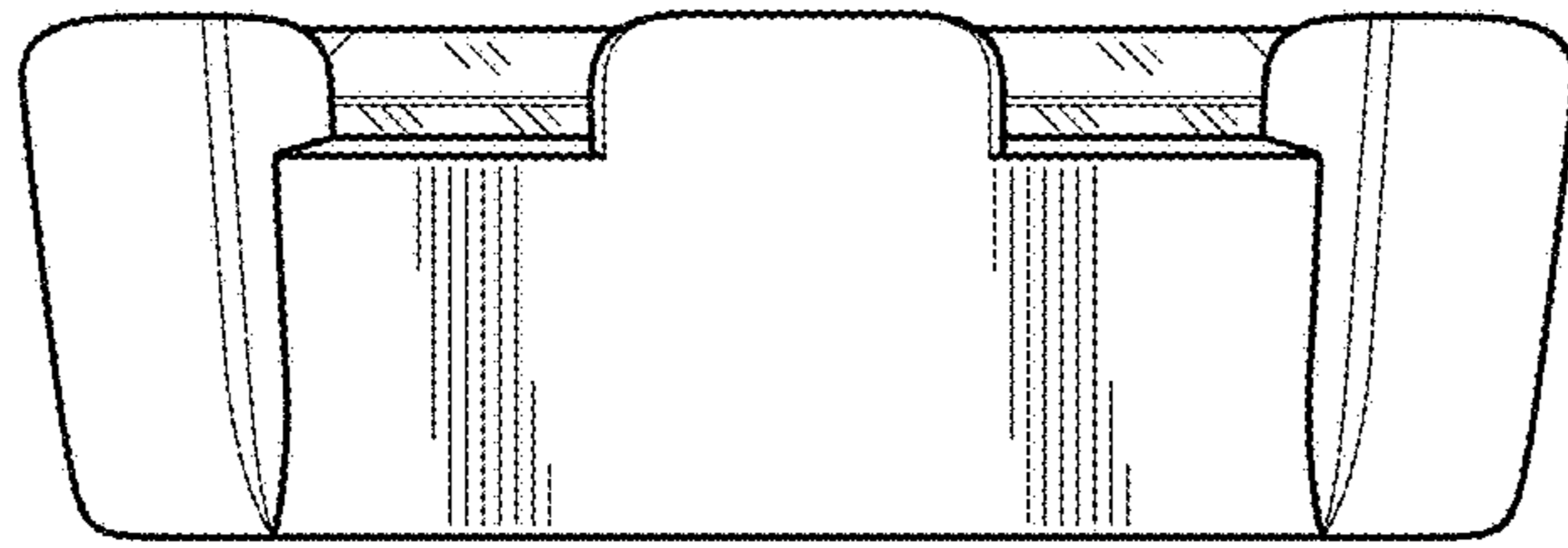


Fig. 3

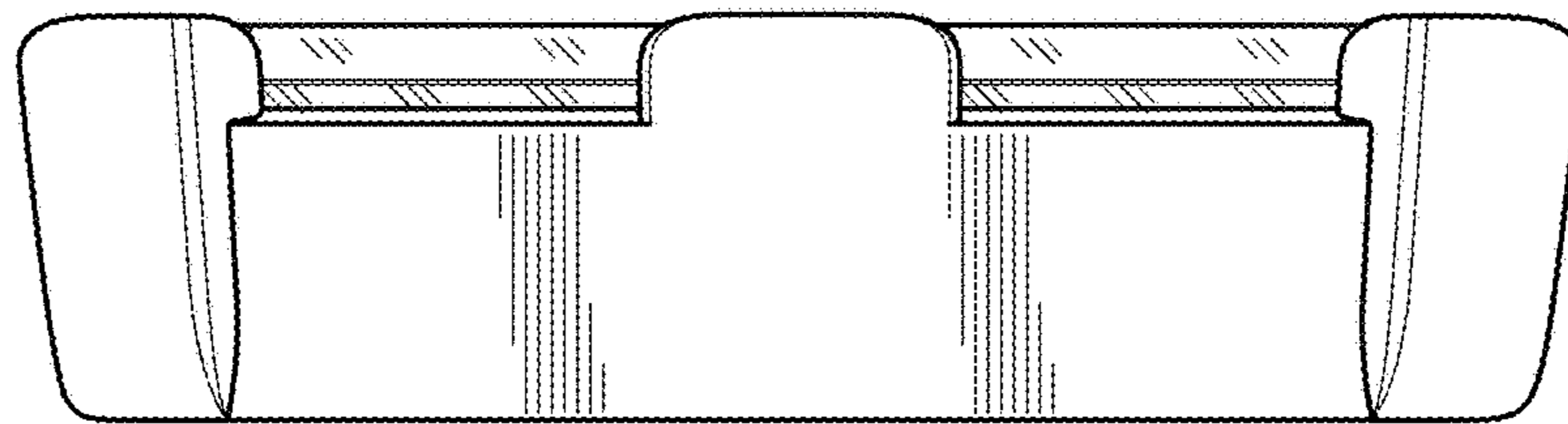


Fig. 4

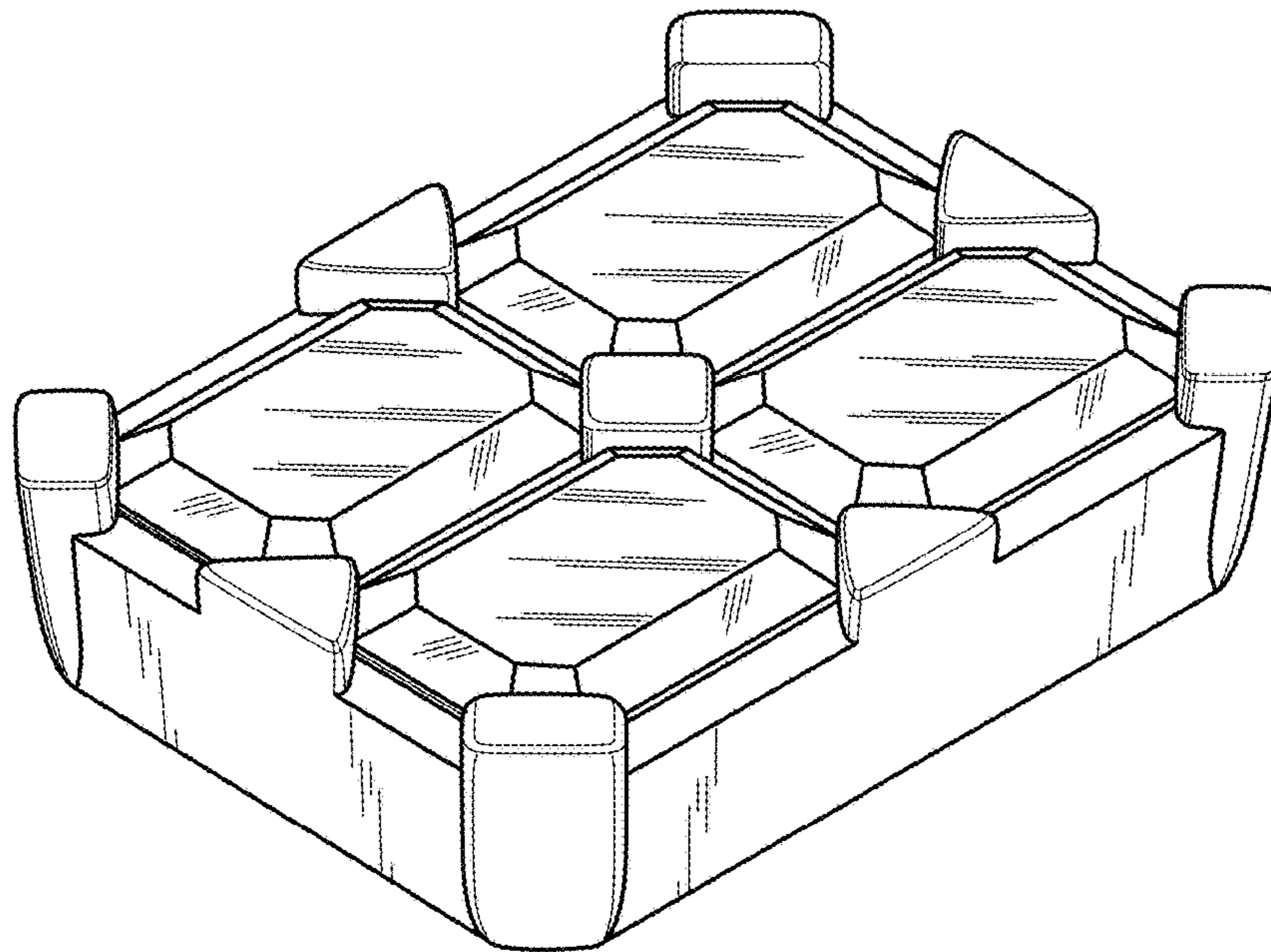


Fig. 5

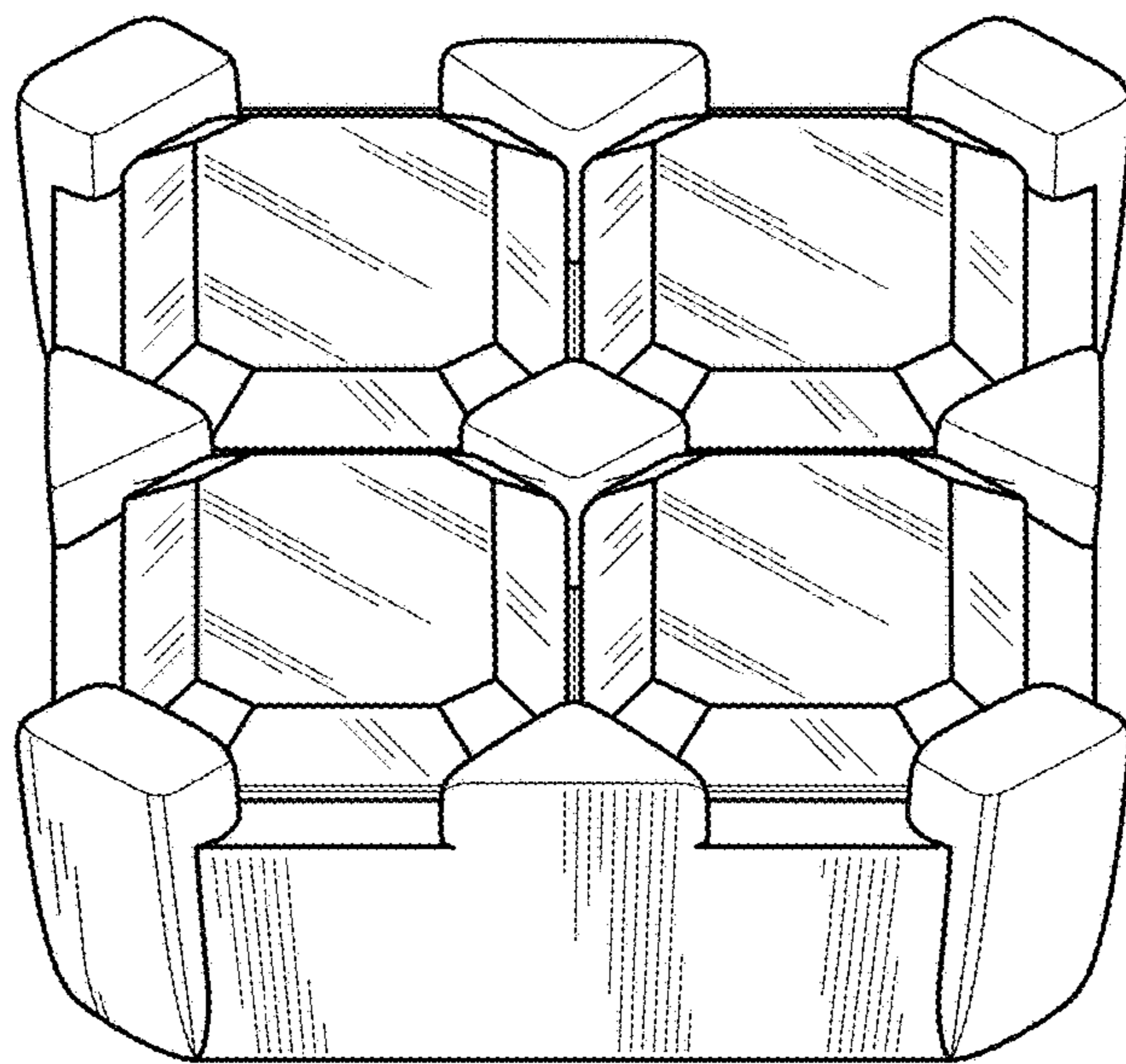


Fig. 6

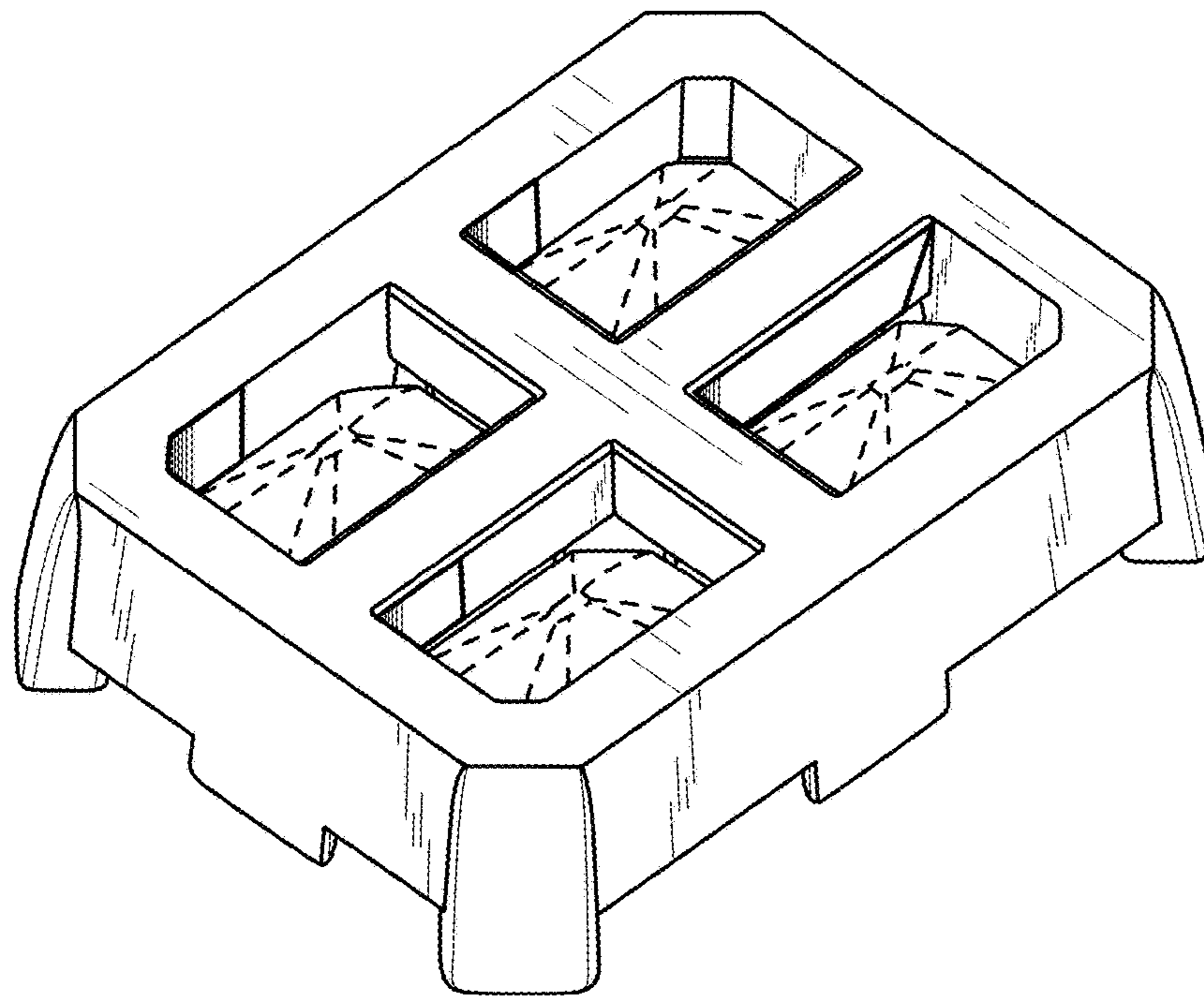


Fig. 7



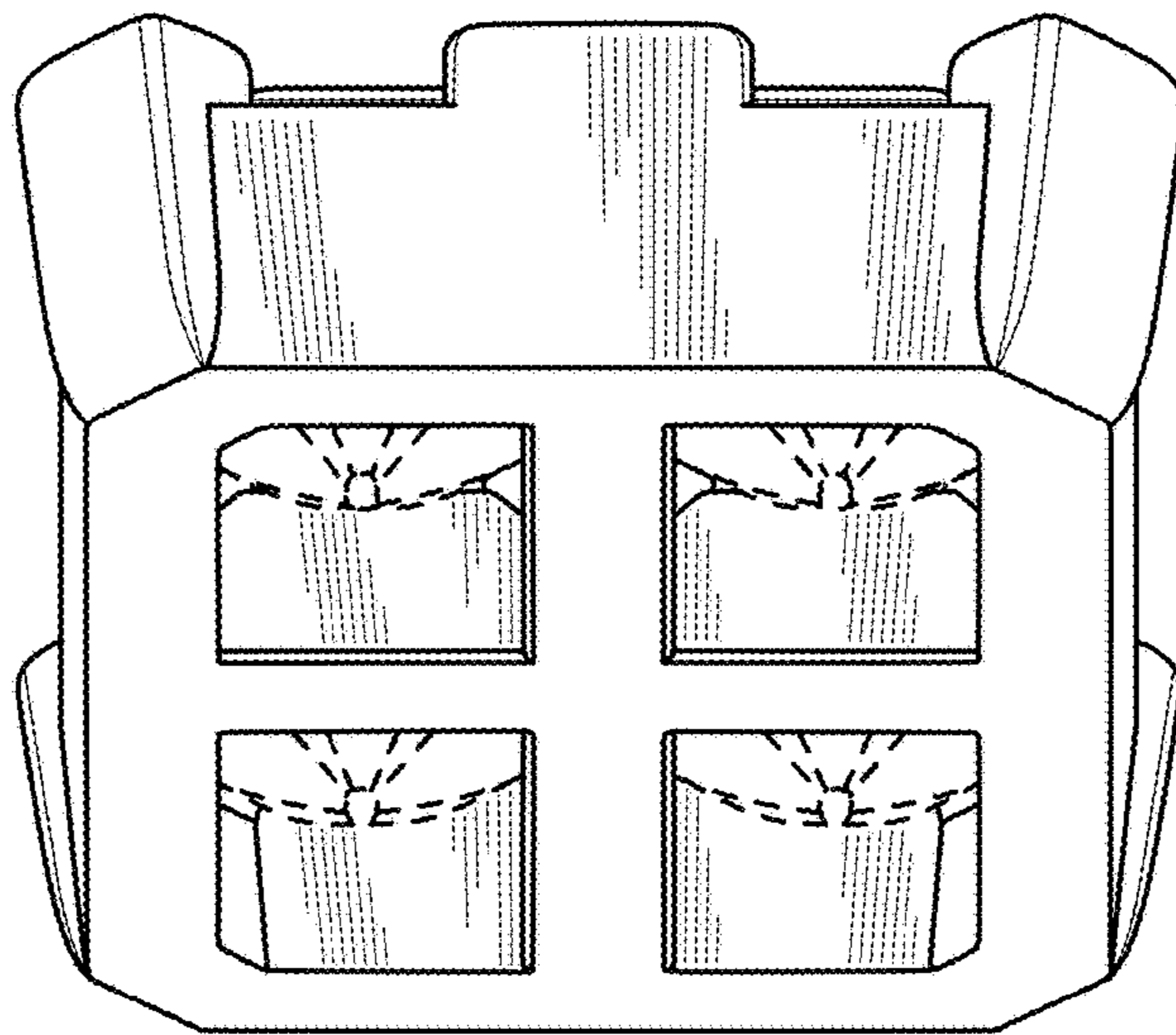


Fig. 8