



US00D833902S

(12) **United States Design Patent** (10) **Patent No.:** **US D833,902 S**
Kostrzewsky (45) **Date of Patent:** **** Nov. 20, 2018**

(54) **CLOCK HANDS**
(71) Applicant: **Jeffrey J. Kostrzewsky**, New Martinsville, WV (US)
(72) Inventor: **Jeffrey J. Kostrzewsky**, New Martinsville, WV (US)

D104,049 S 4/1937 Rainbault
D104,330 S * 4/1937 Thoma D10/127
D163,729 S * 6/1951 Zapol D10/124
D172,405 S * 6/1954 Suter D10/127
D190,291 S * 5/1961 Sittser D10/10
D223,958 S * 6/1972 Hauser D10/127
D416,823 S * 11/1999 Turner D10/127
(Continued)

(**) Term: **15 Years**

OTHER PUBLICATIONS

(21) Appl. No.: **29/618,495**

Pi Day Watches for Men. Product listing [online]. Copyright © 2000-2018, Zazzle Inc. [Retrieved on Jul. 7, 2017]. <URL: https://www.zazzle.com/pi+day+mens+watches>.

(22) Filed: **Sep. 21, 2017**

(51) **LOC (11) Cl.** **10-07**

(52) **U.S. Cl.**
USPC **D10/127**

(58) **Field of Classification Search**
USPC D10/1, 2-3, 5-7, 14-15, 22-28, 40-41, D10/46.1, 46.2, 49-50, 52, 55, 59, D10/122-124, 126-128, 132; D14/170-171, 197, 218, 489-490, 492; D15/28; D20/20-21, 29; D7/589
CPC G04B 19/00; G04B 19/04; G04B 19/042; G04B 19/044; G04B 19/06; G04B 19/065; G04B 19/08; G04B 19/085; G04B 19/26; G04B 19/264; G04B 45/0069; G04B 47/02; G04B 47/04; G04B 47/048; G04C 3/001; G04C 19/00; G04C 19/02; G04C 19/06; G04F 1/00; G04F 3/00; G04F 3/02; A47J 31/407
See application file for complete search history.

(Continued)
Primary Examiner — Sandra S Snapp
Assistant Examiner — Katherine Glennon
(74) *Attorney, Agent, or Firm* — Cramer Patent & Design, PLLC; Aaron R. Cramer

(57) **CLAIM**

The ornamental design for clock hands, as shown and described.

DESCRIPTION

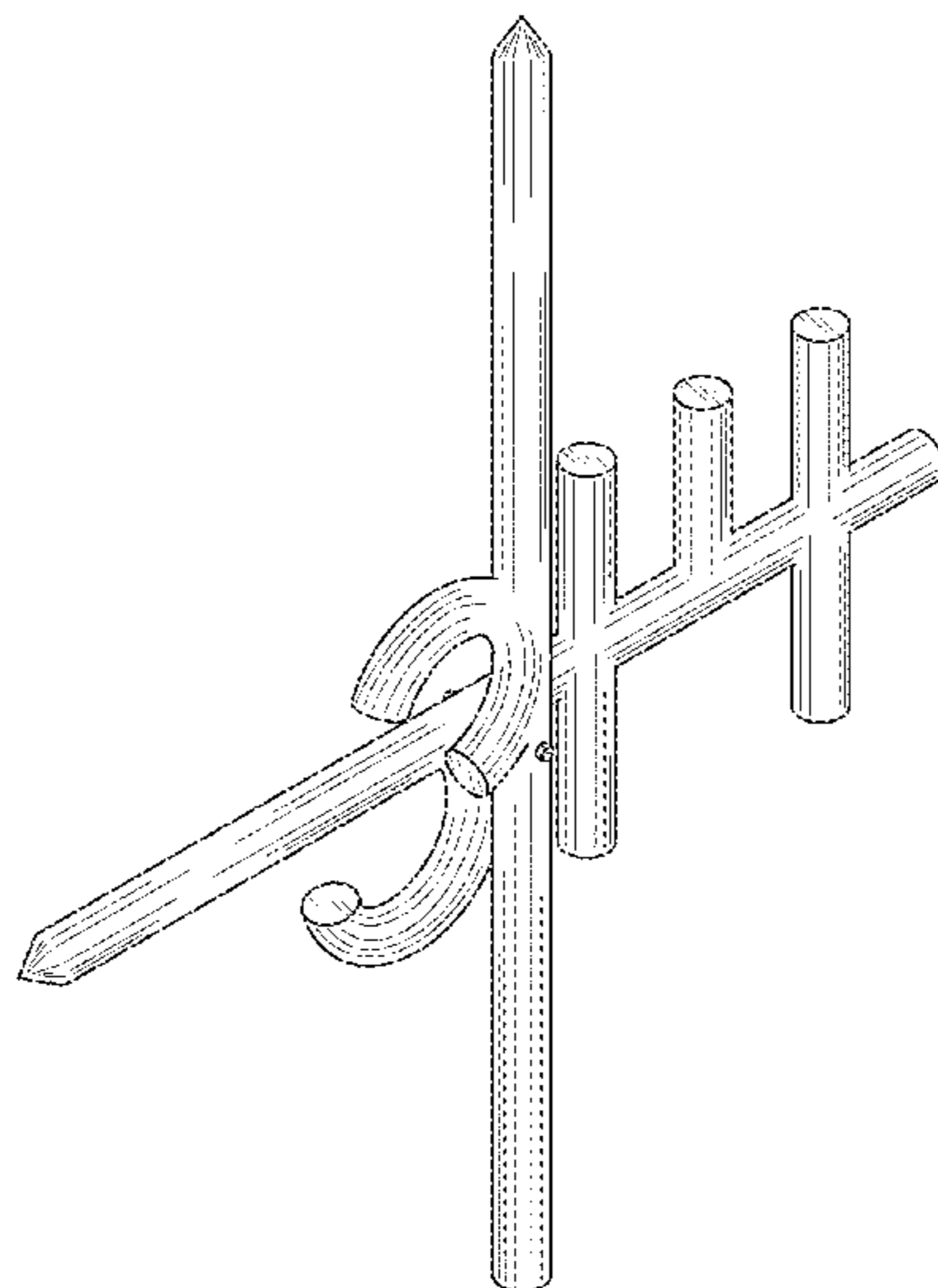
FIG. 1 is a top front left perspective view of an hour hand, a minute hand, and a central pin, the clock hands shown in an assembled configuration, showing my new design; FIG. 2 is a perspective top rear right view thereof; FIG. 3 is a left elevation view thereof; FIG. 4 is a right elevation view thereof; FIG. 5 is a left elevation view of clock hands, showing the hour and minute hand in a disassembled configuration, with the pin removed for ease of illustration; FIG. 6 is a right elevation view thereof; FIG. 7 is a front elevation view thereof; FIG. 8 is a rear elevation view thereof; FIG. 9 is a top plan view thereof; and, FIG. 10 is a bottom plan view thereof.

(56) **References Cited**

U.S. PATENT DOCUMENTS

D21,290 S * 1/1892 Longenhelt D10/124
D32,771 S * 6/1900 Taylor D10/127
D79,860 S * 11/1929 Streng D10/127
D81,038 S * 4/1930 Wynn D10/1
D90,859 S * 10/1933 Schmid D10/127
1,974,357 A * 9/1934 Eklund G04B 19/223
368/27

1 Claim, 9 Drawing Sheets



(56)

References Cited

U.S. PATENT DOCUMENTS

6,208,592 B1 * 3/2001 Turner G04B 19/042
368/223
D517,429 S * 3/2006 Adams, Sr. D10/7
7,527,423 B2 5/2009 Ruchonnet et al.
D668,971 S 10/2012 Tedeschi
D719,863 S * 12/2014 De Pol D10/127
D736,112 S * 8/2015 Gual Feliu D10/127
D761,680 S 7/2016 Plange
D805,942 S * 12/2017 Koelewyn D10/127
D822,523 S * 7/2018 Laucella D10/127
2006/0044945 A1 * 3/2006 Hopkins G04B 19/042
368/228
2010/0118662 A1 * 5/2010 Smith G04B 19/06
368/228

OTHER PUBLICATIONS

Tan Brown Pi symbol Wristwatch. Product listing [online]. Copyright © 2000-2018, Zazzle Inc. [Retrieved on Jul. 7, 2017]. <URL:https://www.zazzle.com/tan_brown_pi_symbol_wristwatch-256349001146117944>.

* cited by examiner

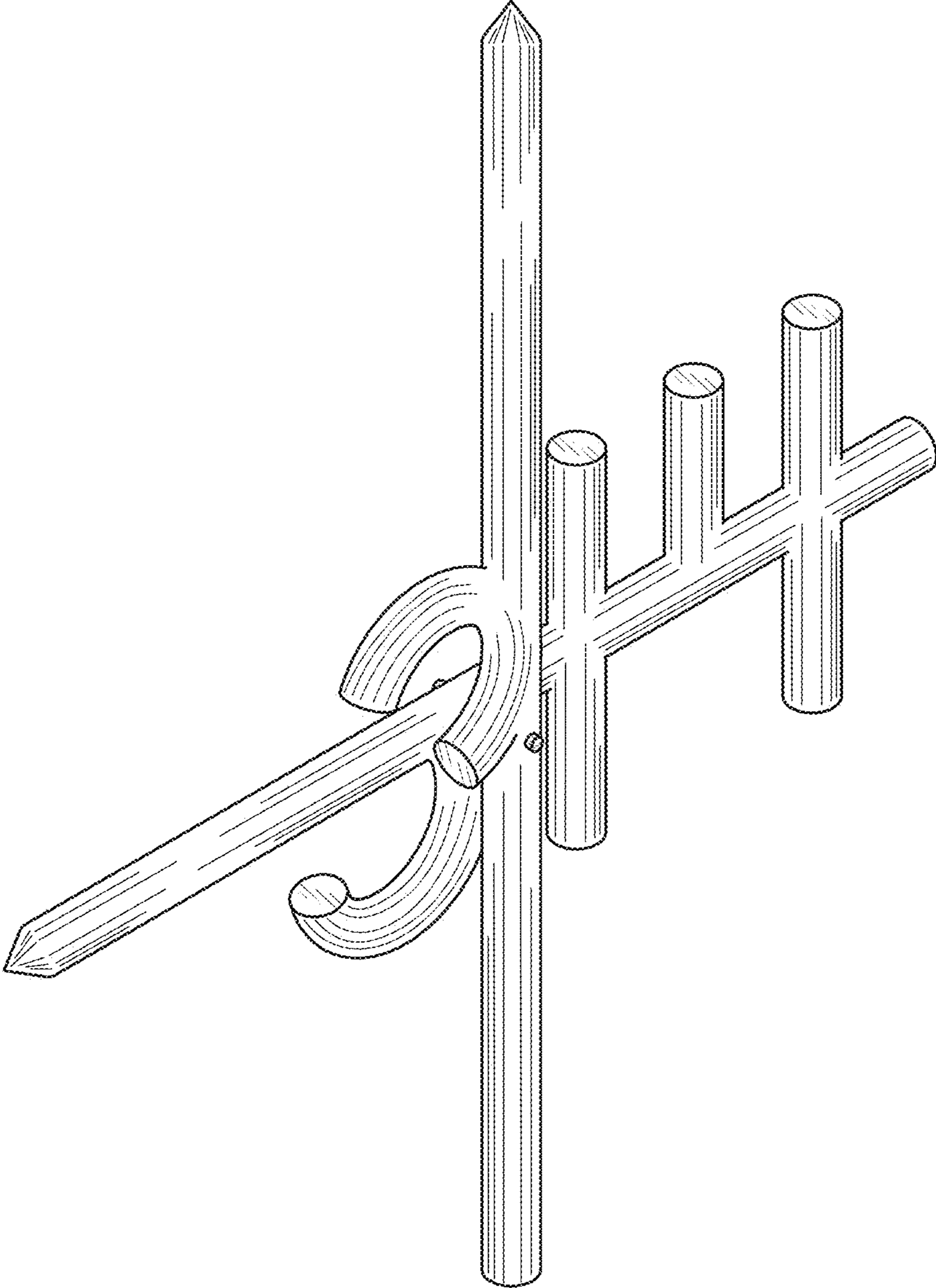


FIG. 1

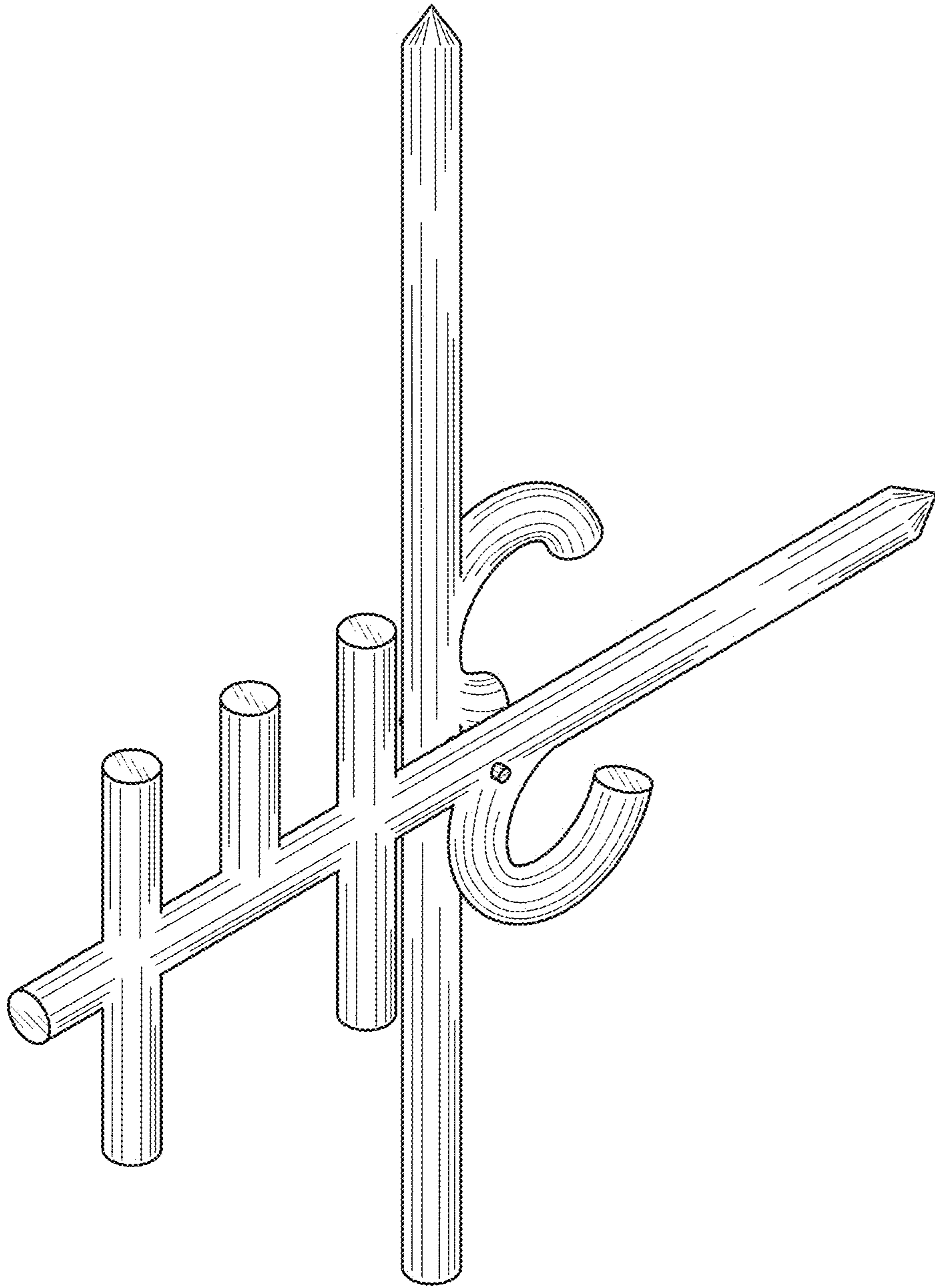


FIG. 2

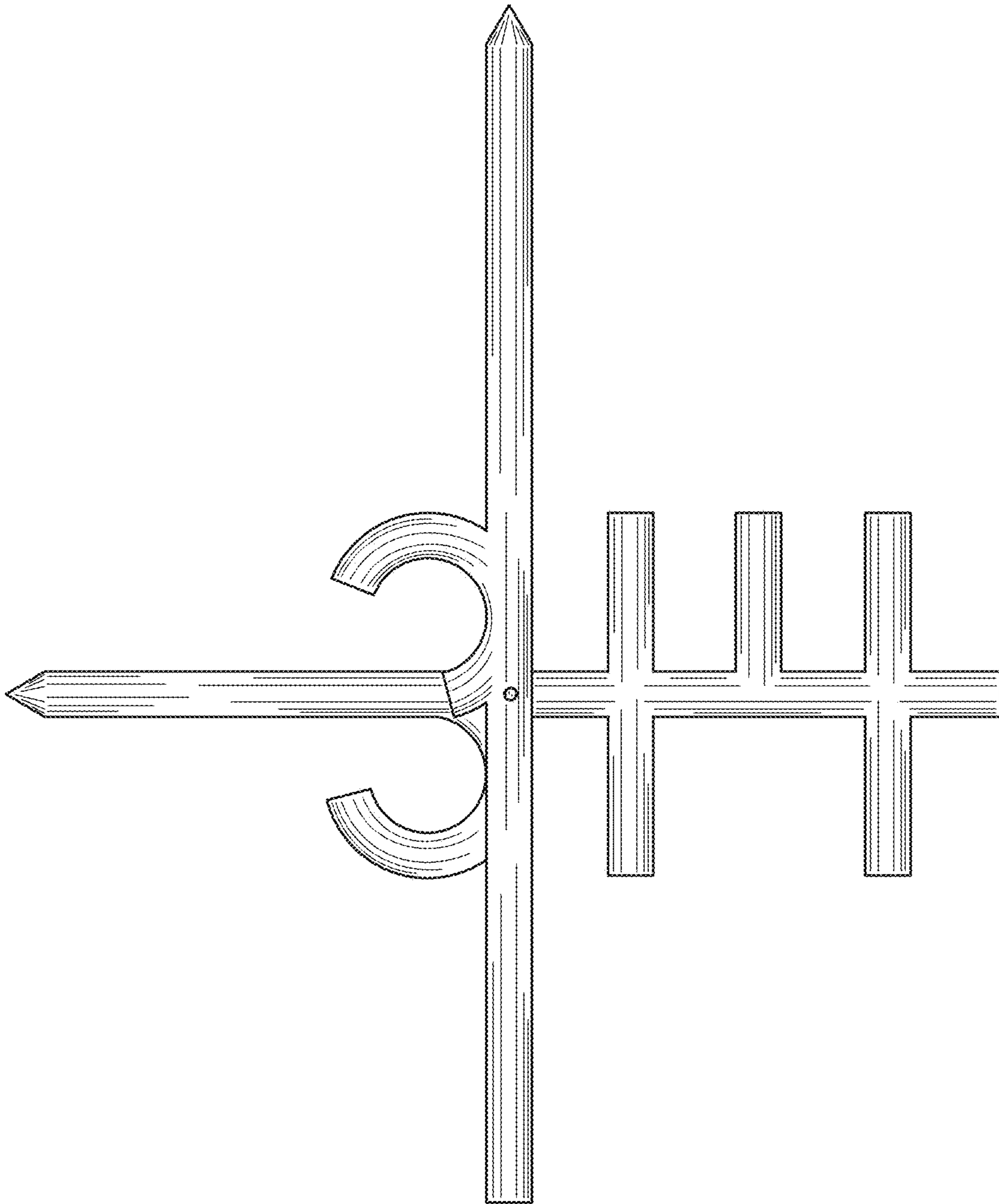


FIG. 3

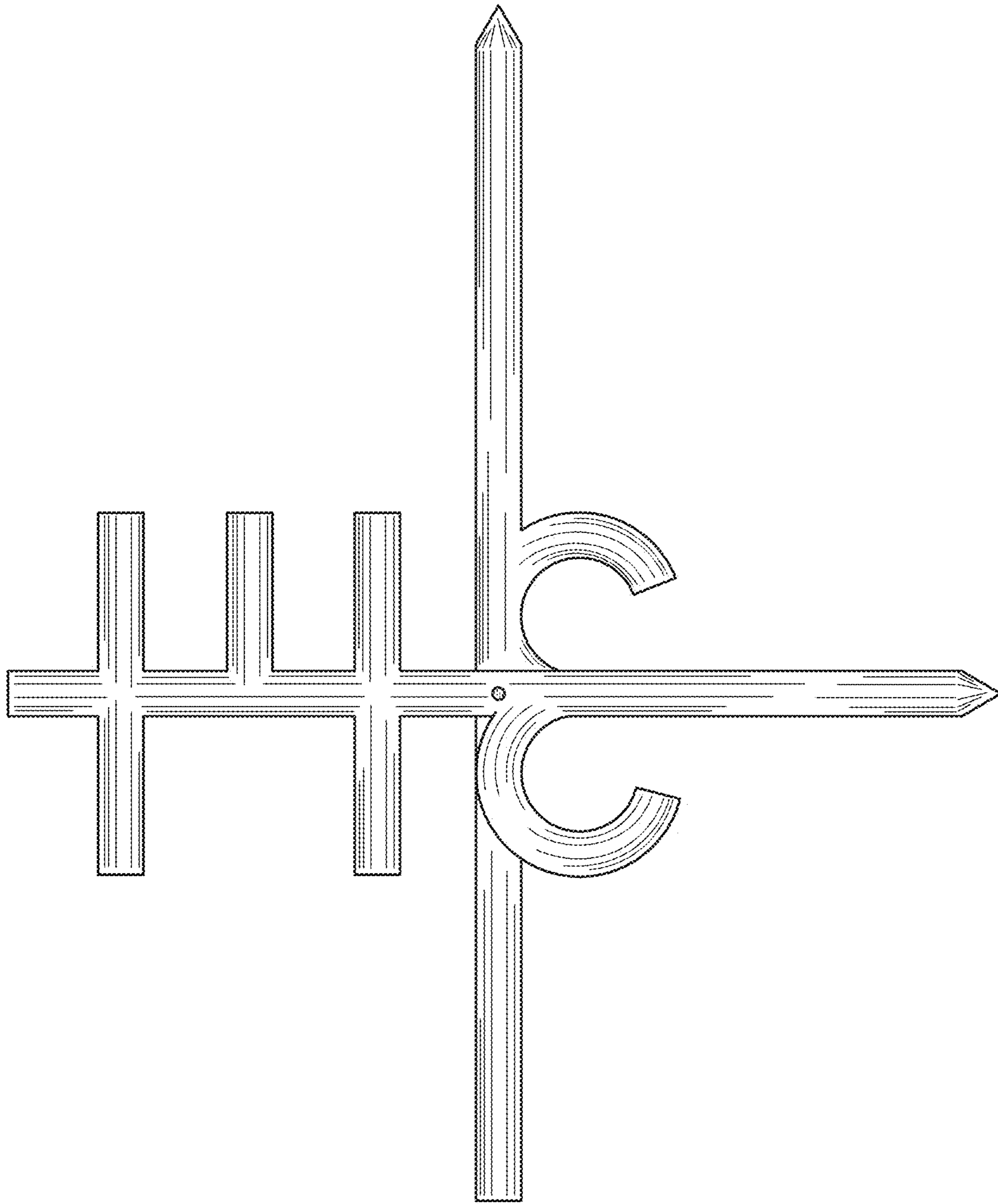


FIG. 4

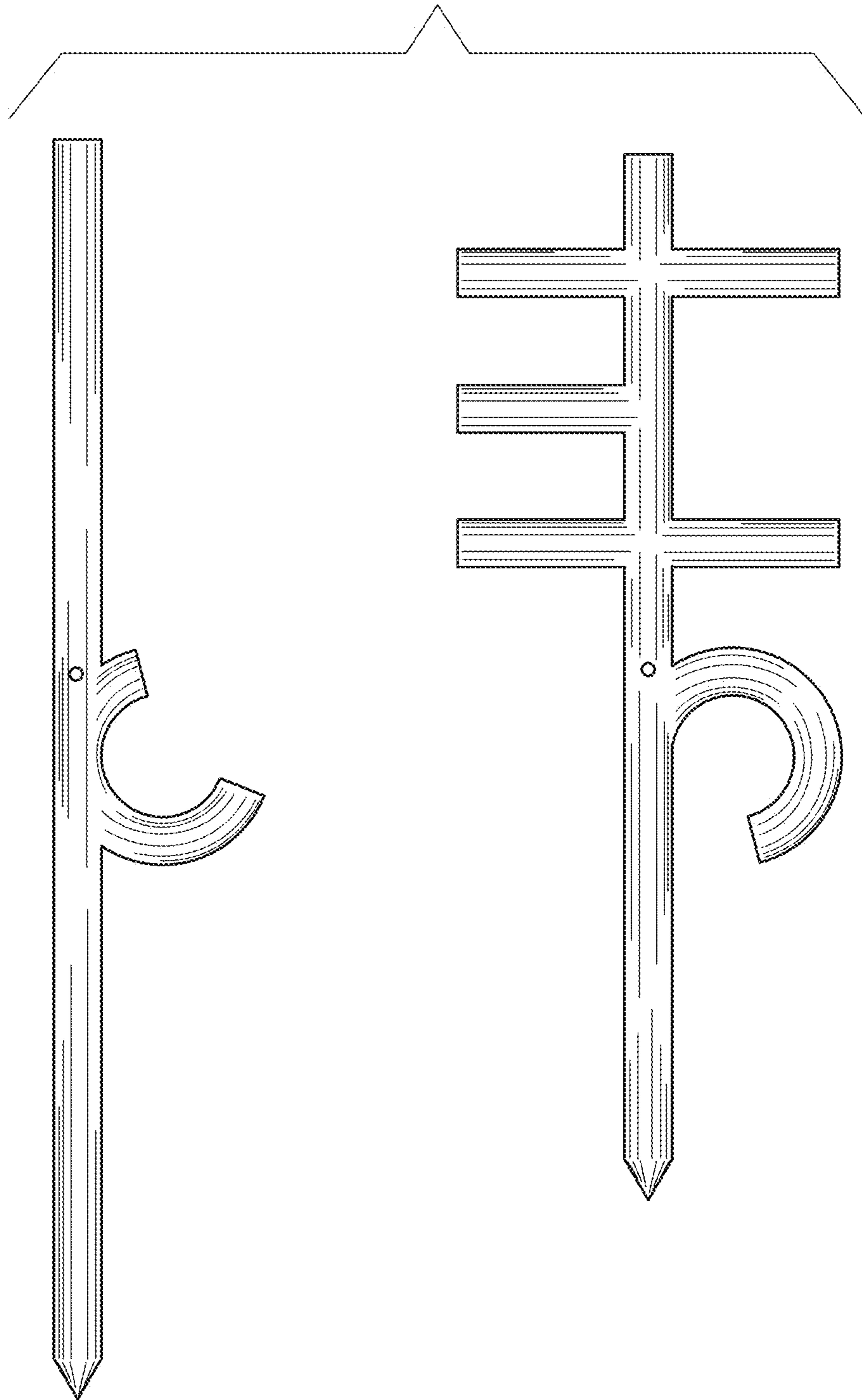


FIG. 5

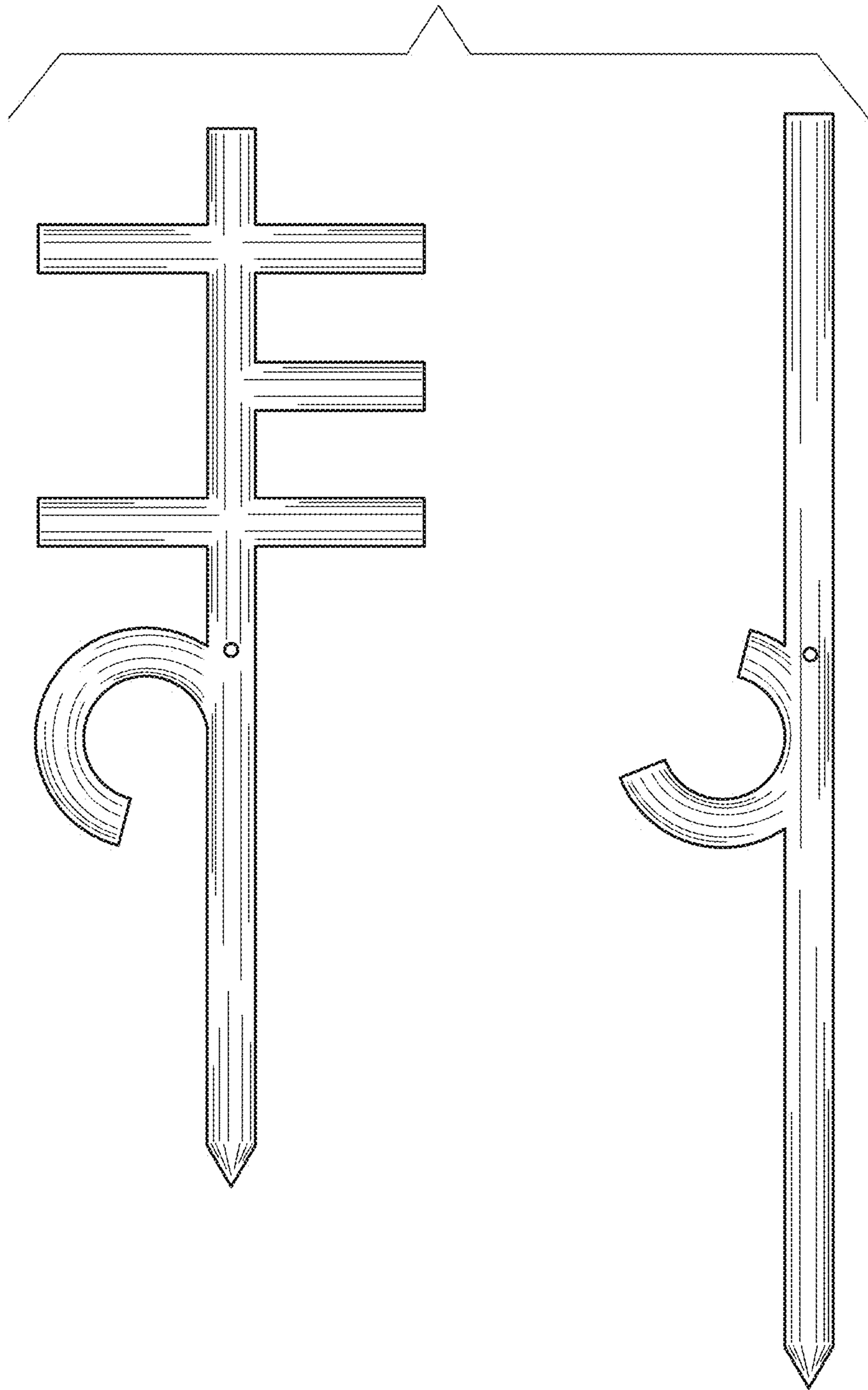


FIG. 6

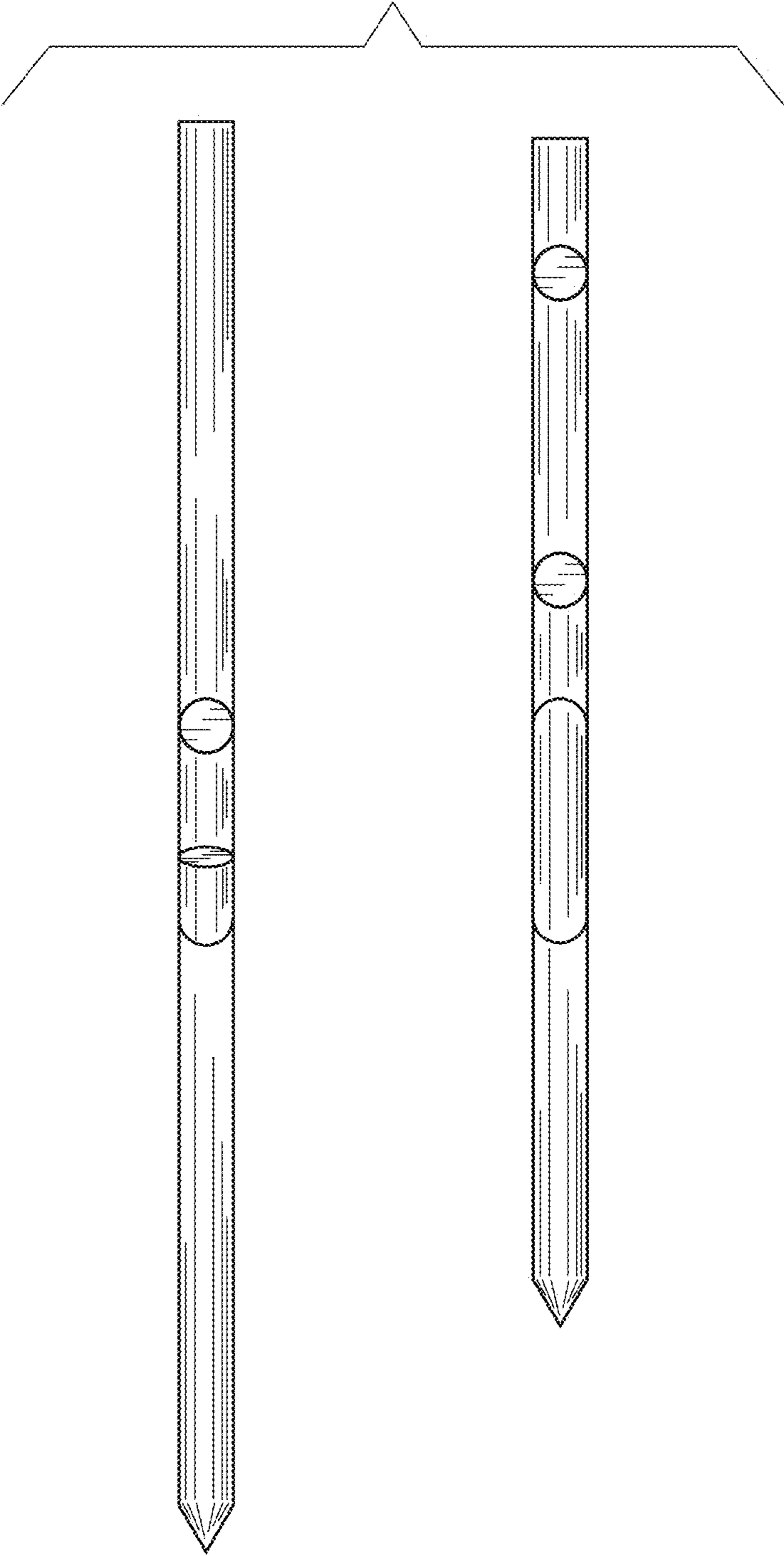


FIG. 7

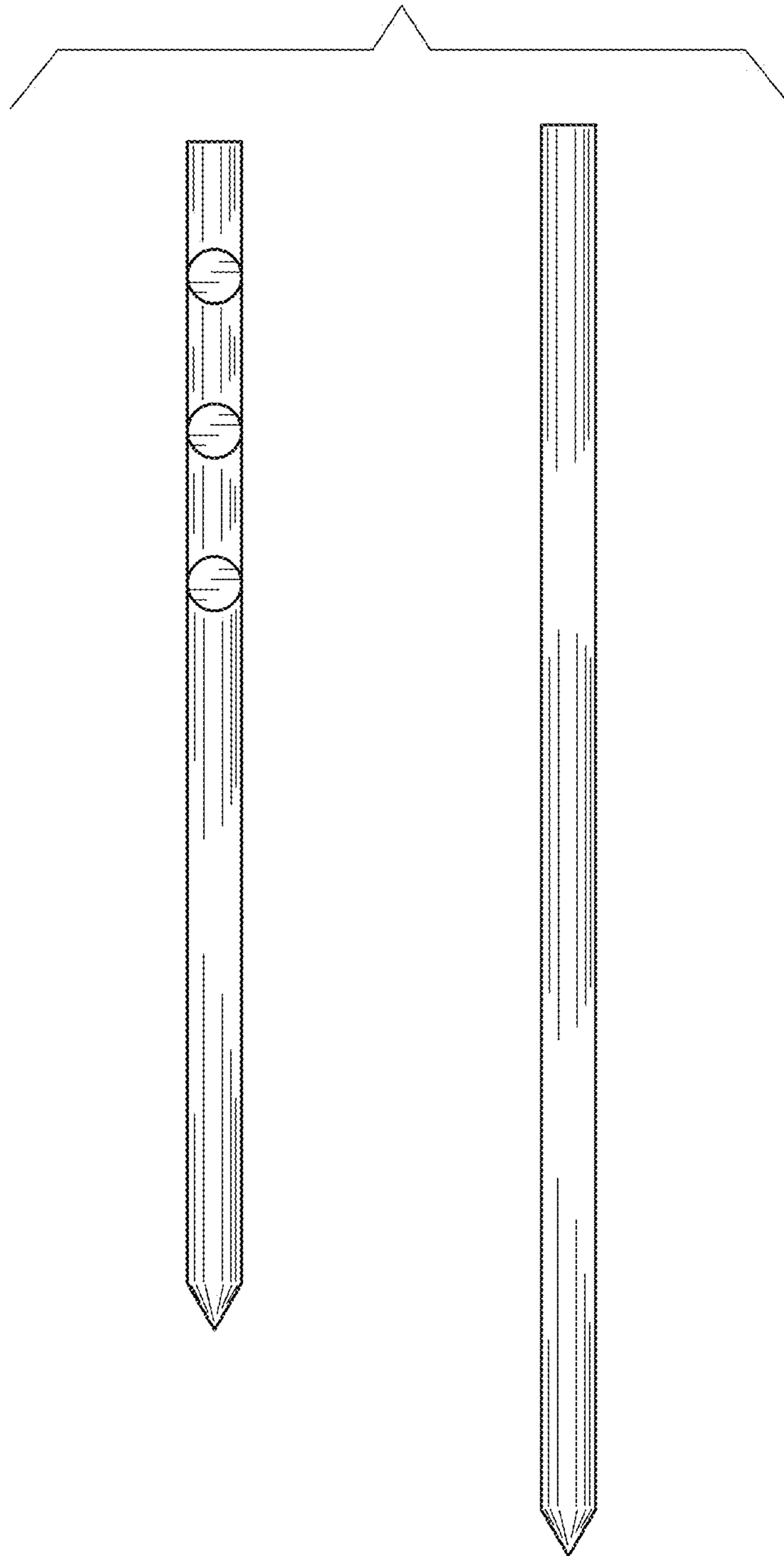


FIG. 8

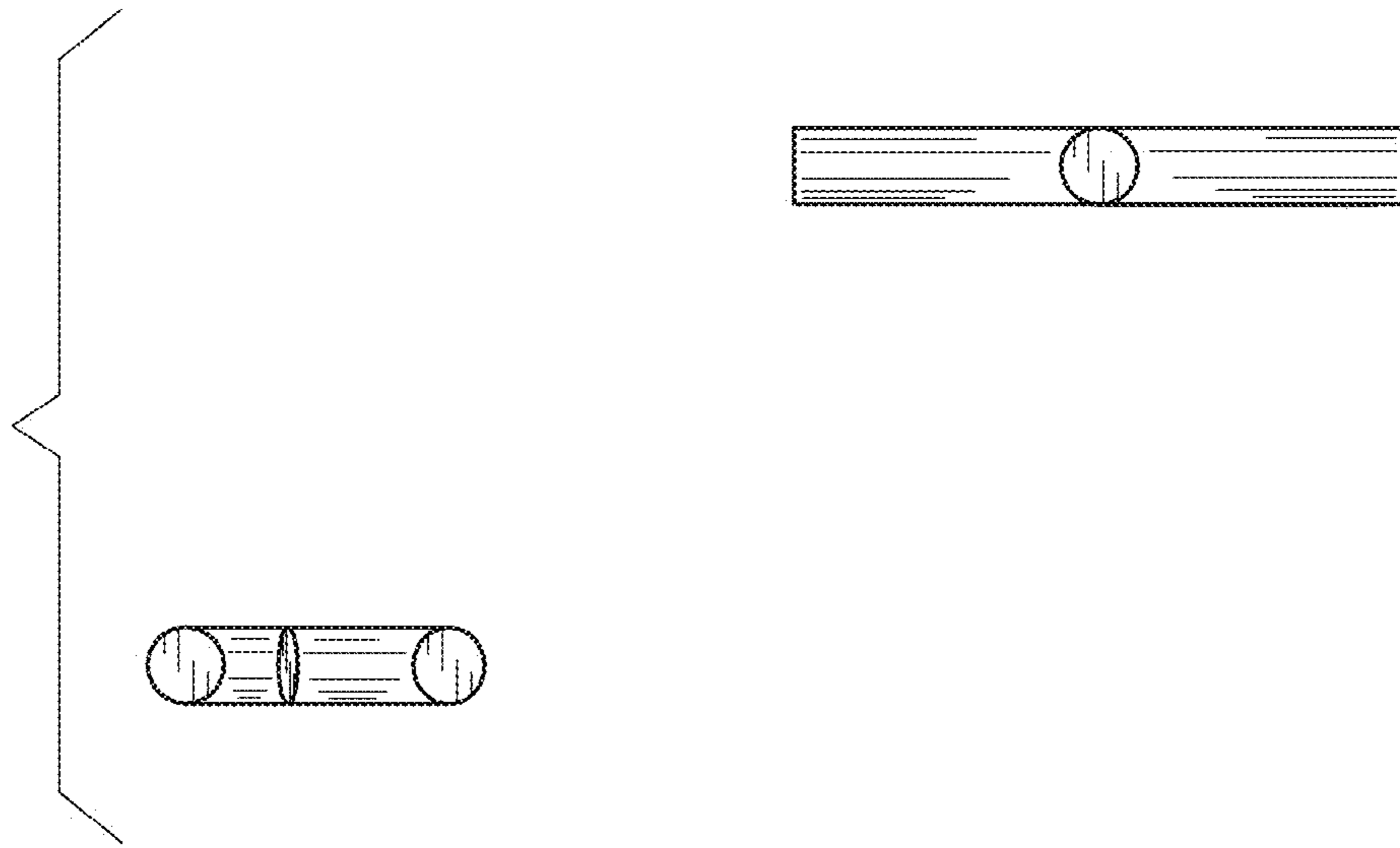


FIG. 9

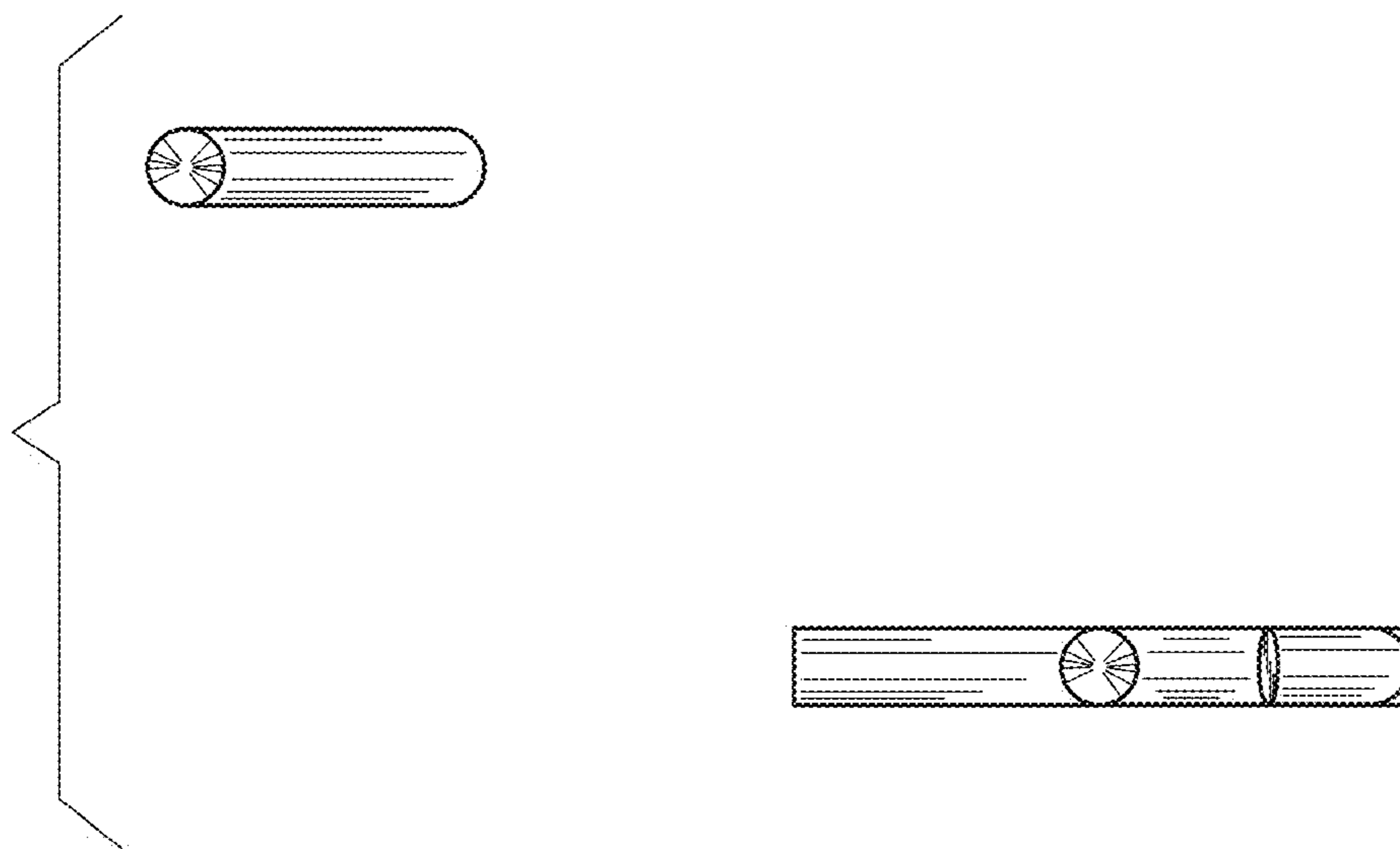


FIG. 10