



US00D833901S

(12) **United States Design Patent** (10) **Patent No.:** **US D833,901 S**  
**Rabassa et al.** (45) **Date of Patent:** **\*\* Nov. 20, 2018**

(54) **WATCH DIAL**  
(71) Applicant: **Cartier International AG**, Steinhausen (CH)  
(72) Inventors: **Serge Rabassa**, Vessy (CH); **Taye Berhanu**, Geneva (CH)  
(73) Assignee: **Cartier International AG**, Steinhausen (CH)

D224,550 S \* 8/1972 Fainsilber ..... 368/228  
D291,869 S \* 9/1987 Bulgari ..... D10/32  
D324,825 S \* 3/1992 Besson ..... D10/30  
D397,945 S \* 9/1998 Gruosi ..... D10/30  
D468,217 S \* 1/2003 Lepeu ..... D10/32  
D476,908 S \* 7/2003 Ellia ..... D10/39  
D594,350 S \* 6/2009 Arpa ..... D10/32  
D602,790 S \* 10/2009 Lipe ..... D10/32  
D611,357 S \* 3/2010 Giroud ..... D10/32  
D615,882 S \* 5/2010 Laucella ..... D10/39

(Continued)

(\*\*) Term: **15 Years**

**OTHER PUBLICATIONS**

(21) Appl. No.: **29/608,375**

Paillonne Enamel Taschenuhr | posted at kollerauktionen.ch No posting date c.1770 [online][site visited Feb. 23, 2018]. Available from Internet: <[https://www.kollerauktionen.ch/en/321061-0018-----1173-storer-london\\_-paillonne-emai-1173\\_68046.html?RecPos=34](https://www.kollerauktionen.ch/en/321061-0018-----1173-storer-london_-paillonne-emai-1173_68046.html?RecPos=34)> (Year: 1770).\*

(22) Filed: **Jun. 21, 2017**

(Continued)

(30) **Foreign Application Priority Data**

Dec. 22, 2016 (WO) ..... 1778301

(51) **LOC (11) Cl.** ..... **10-07**

(52) **U.S. Cl.**

USPC ..... **D10/126**

(58) **Field of Classification Search**

USPC ..... D10/1-2, 6-10, 14-15, 22, 30-39, 65, D10/70, 97-98, 122-126, 128; D14/344; D24/167, 186

CPC ..... G04B 19/00; G04B 19/025; G04B 19/04; G04B 19/046; G04B 19/048; G04B 19/06; G04B 19/08; G04B 19/085; G04B 19/087; G04B 45/0069; G04B 45/0076; G04B 19/065; G04B 19/082; G04B 19/10; G04B 19/103; G04B 19/106; G04B 19/12; G04B 19/16; G04B 19/163; G04B 19/166; G04B 19/18; G04B 19/22; G04B 19/223; G04B 19/225; G04B 19/226; G04B 19/228; G04B 27/00; G04B 27/06

See application file for complete search history.

(56) **References Cited**

**U.S. PATENT DOCUMENTS**

D24,273 S \* 5/1895 Pollack ..... D10/22  
D150,628 S \* 8/1948 Goodkind ..... D10/1

*Primary Examiner* — Sandra S Snapp  
*Assistant Examiner* — Katherine Glennon  
(74) *Attorney, Agent, or Firm* — Taft Stettinius & Hollister LLP

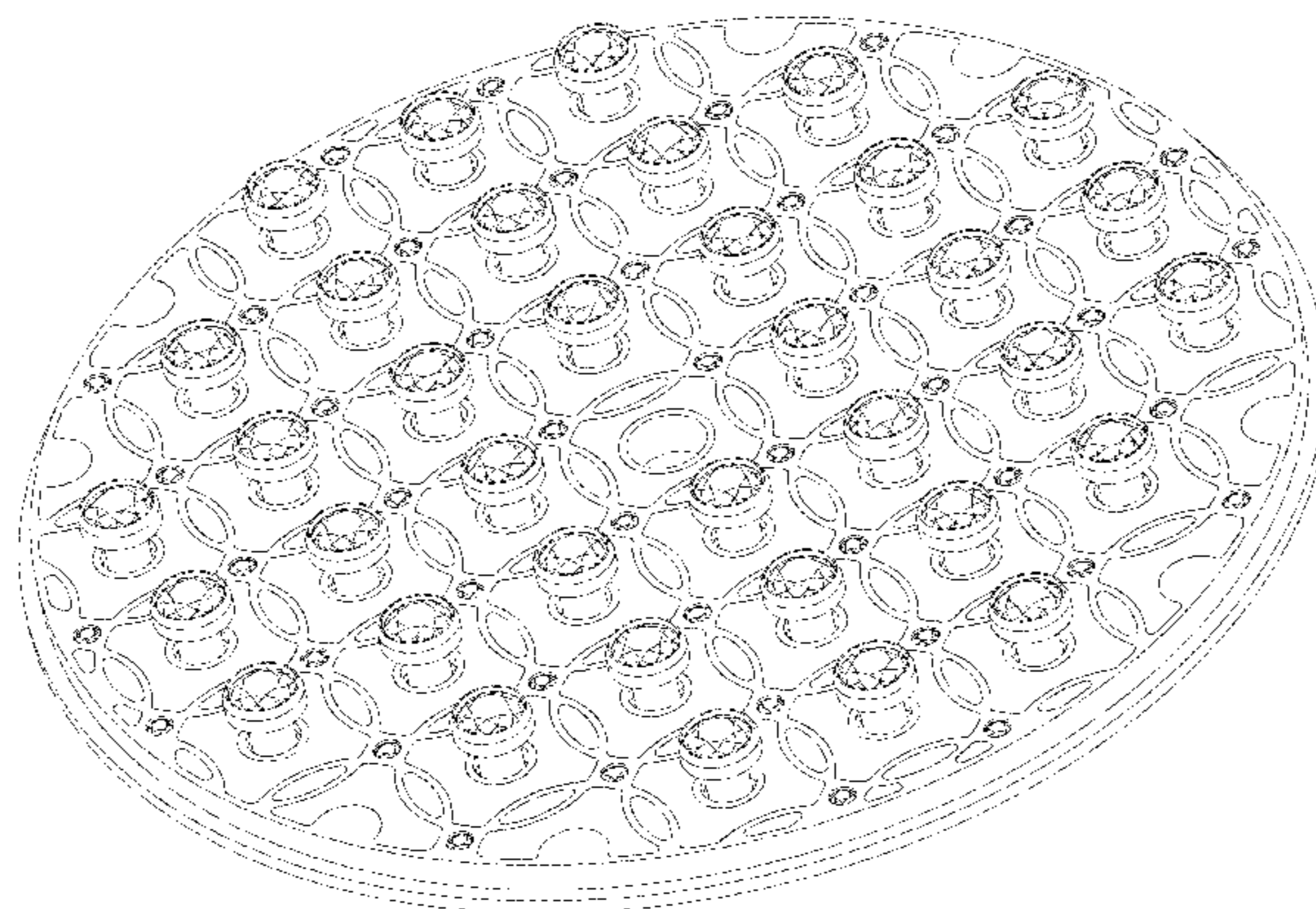
(57) **CLAIM**

The ornamental design for a watch dial, as shown and described.

**DESCRIPTION**

FIG. 1 is a front elevational view of a watch dial showing our new design;  
FIG. 2 is a back elevational view thereof;  
FIG. 3 is a right side elevational view thereof;  
FIG. 4 is a left side elevational view thereof;  
FIG. 5 is a bottom plan view thereof;  
FIG. 6 is a top plan view thereof; and,  
FIG. 7 is a front, right side perspective view thereof.

**1 Claim, 7 Drawing Sheets**



(56)

References Cited

U.S. PATENT DOCUMENTS

D620,827 S \* 8/2010 Cerrato ..... D10/126  
 D693,719 S \* 11/2013 Calvani ..... D10/126  
 D703,552 S \* 4/2014 Monachon ..... D10/32  
 D703,555 S \* 4/2014 Monachon ..... D10/32  
 D705,085 S \* 5/2014 Monachon ..... D10/34  
 D705,675 S \* 5/2014 Abdourahim ..... D10/39  
 D706,143 S \* 6/2014 Monachon ..... D10/32  
 D710,732 S \* 8/2014 Calvani ..... D10/126  
 D725,526 S \* 3/2015 Graff ..... D10/126  
 D729,679 S \* 5/2015 Graff ..... D10/126  
 D737,694 S \* 9/2015 Engelbrecht ..... D10/126  
 D743,813 S \* 11/2015 Koutsolioutsos ..... D10/126  
 9,224,679 B2 \* 12/2015 Xue ..... H01L 23/3114  
 D760,105 S \* 6/2016 Monachon ..... D10/124  
 D777,047 S \* 1/2017 Blootacker ..... D10/30  
 D778,177 S \* 2/2017 Blootacker ..... D10/30  
 D787,953 S \* 5/2017 Dominguez ..... D10/30  
 D801,845 S \* 11/2017 Blootacker ..... D10/126  
 D806,598 S \* 1/2018 Valzan ..... D10/126  
 D808,840 S \* 1/2018 Valzan ..... D10/126  
 D808,841 S \* 1/2018 Valzan ..... D10/126  
 2015/0359303 A1 \* 12/2015 Lebreton ..... A44C 17/02  
 368/168

OTHER PUBLICATIONS

Jaquet Droz Petit Heure Minute Paillonne watch | posted at tasteofflifemag.com Dec. 2014 © 2017 Taste Of Life Magazine [online][site visited Feb. 23, 2018]. Available from Internet: <<http://www.tasteofflifemag.com/articles/enamel>> p. 3 (Year: 2014).\*

Art Deco Enamel Cufflinks by Cartier | posted at christies.com May 2017 Vintage circa 1930s © Christie's 2018 [online][site visited Feb. 22, 2018]. Available from Internet: <<http://www.christies.com/lotfinder/Lot/a-pair-of-art-deco-enamel-cufflinks-6068436-details.aspx>>.\*

On the Silk Road with Piaget | posted at loupiosity.com Oct. 2015 © 2018 Loupiosity [online][site visited Feb. 22, 2018]. Available from Internet: <<https://loupiosity.com/2015/10/silk-road-piaget/>> (Year: 2015).\*

Leroy tourbillon watch dial | posted at instagram.com @leroywatches Mar. 2015 [online][site visited Feb. 27, 2018]. Available on Internet: <<https://www.instagram.com/leroywatches/>>.\*

\* cited by examiner



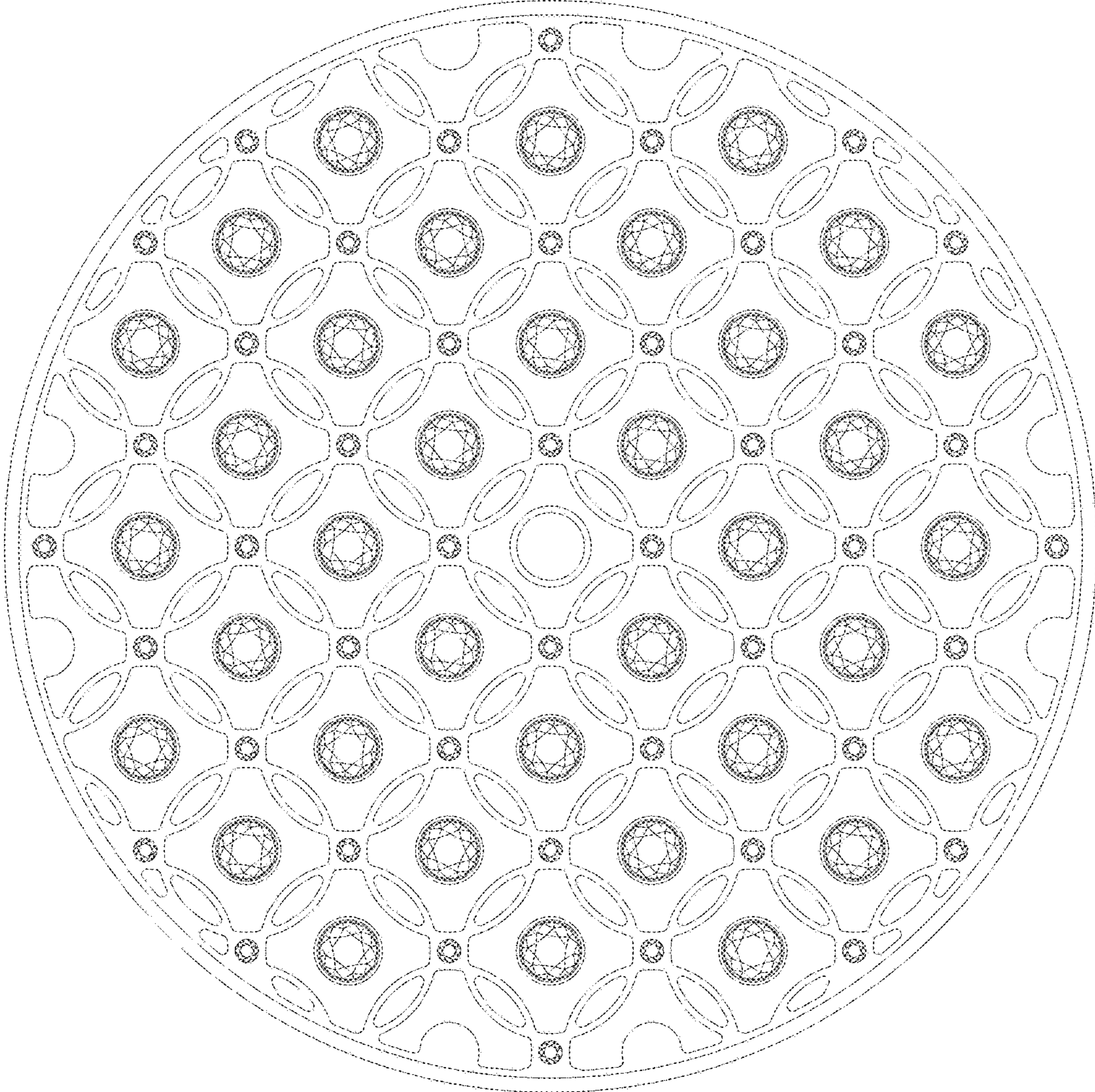


Fig. 1

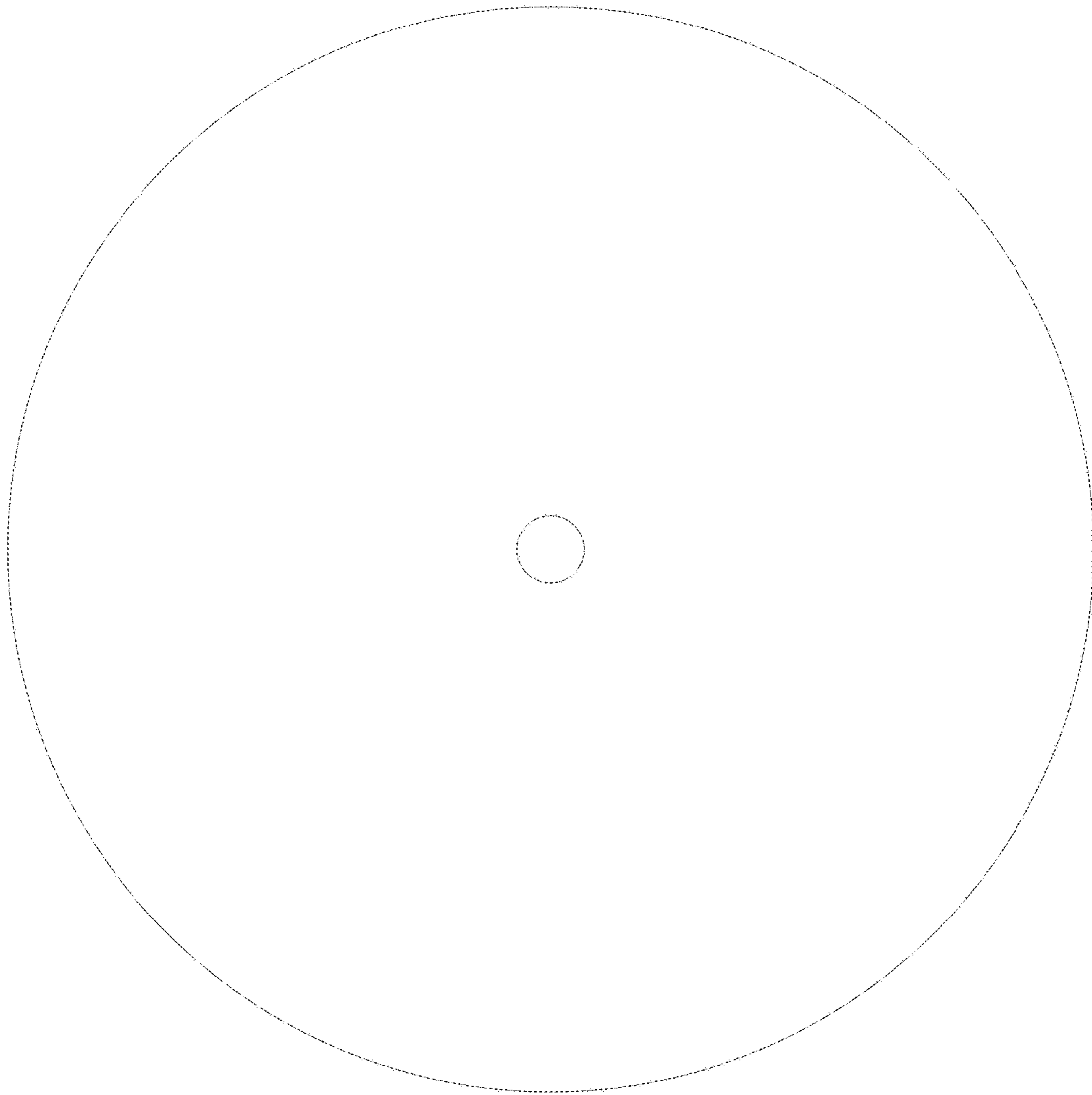


Fig. 2

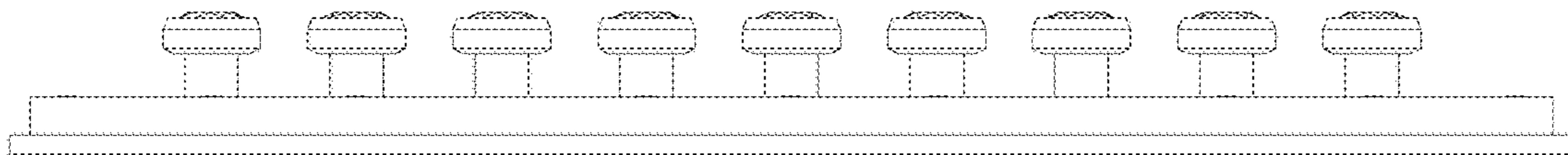


Fig. 3

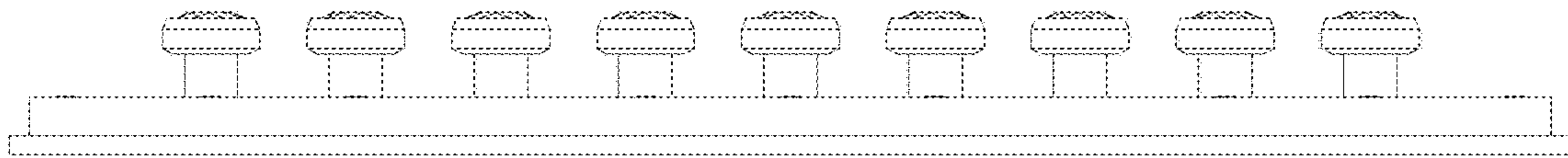


Fig. 4

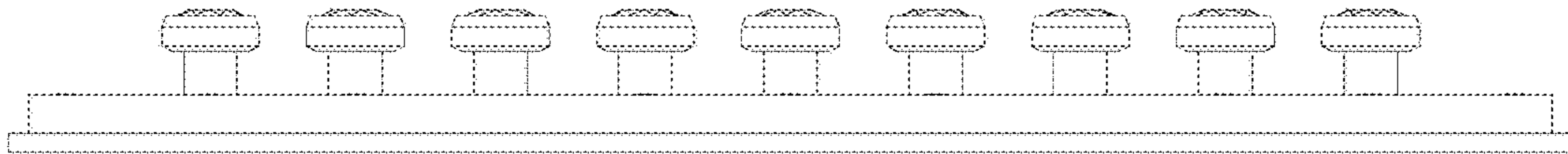


Fig. 5

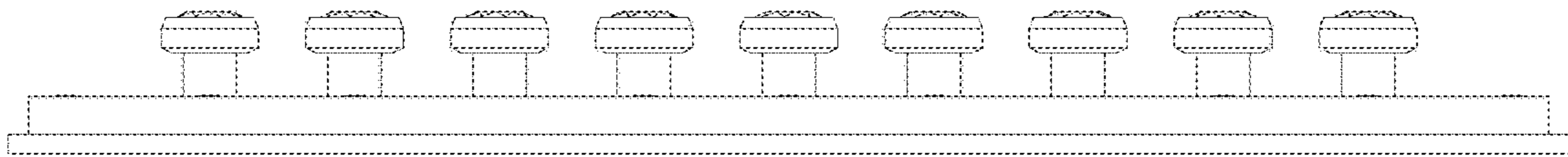


Fig. 6



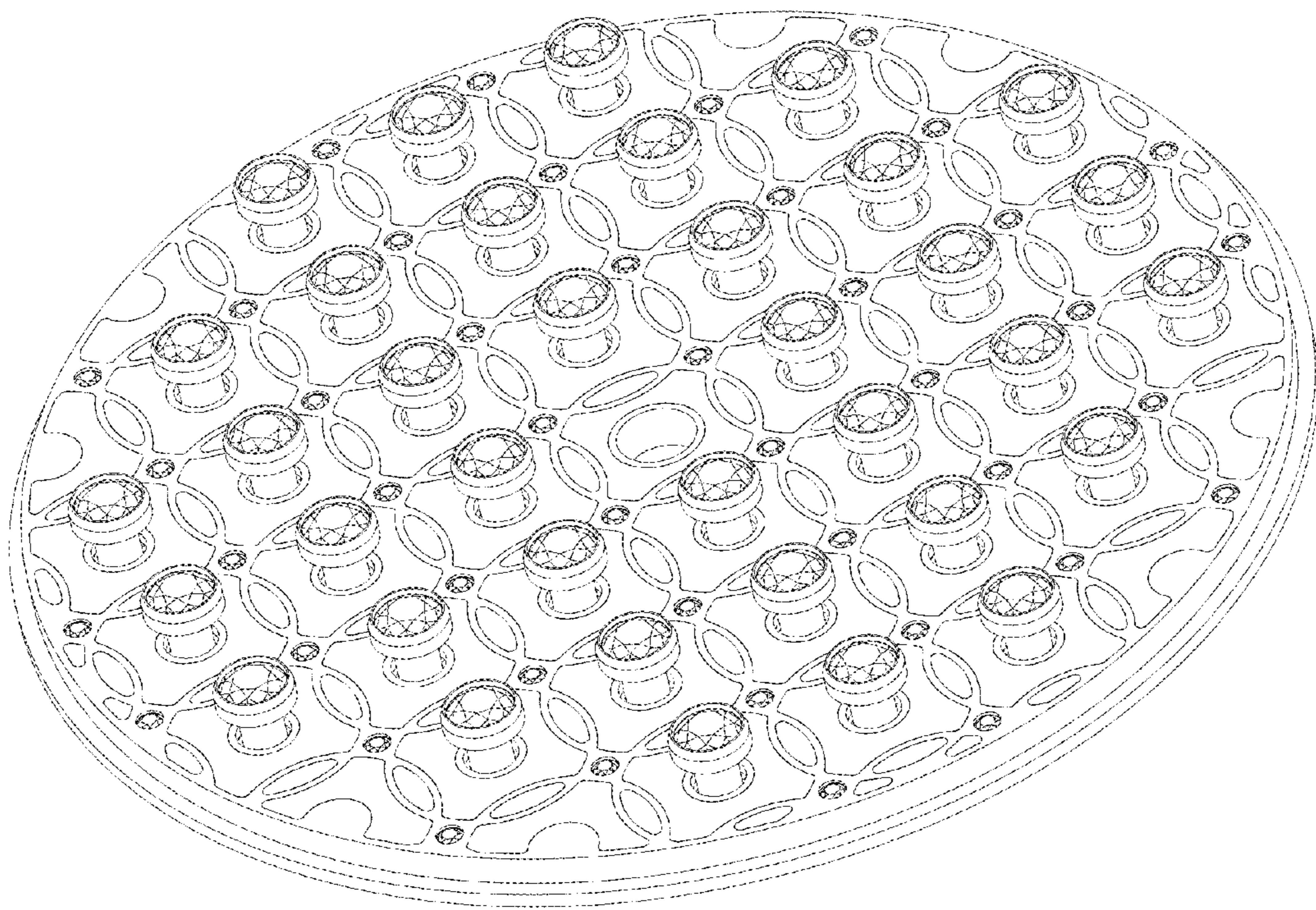


Fig. 7