



US00D833900S

(12) **United States Design Patent** (10) **Patent No.:** **US D833,900 S**
Kovash et al. (45) **Date of Patent:** **** Nov. 20, 2018**

(54) **AIR-ASSIST FLARE**
(71) Applicant: **Steffes Corporation**, Dickinson, ND (US)
(72) Inventors: **Dean A. Kovash**, Dickinson, ND (US); **Todd C. Mayer**, Dickinson, ND (US)
(73) Assignee: **Steffes Corporation**, Dickinson, ND (US)
(**) Term: **15 Years**

4,588,373 A 5/1986 Tonon et al.
5,429,496 A 7/1995 Stephens et al.
5,873,712 A 2/1999 Guerra
5,882,187 A 3/1999 Gustafson et al.
5,997,284 A 12/1999 Gustafson et al.
6,431,855 B1 8/2002 Pedersen
7,156,193 B2 1/2007 Swartout
7,354,265 B2 4/2008 Mashhour et al.
7,677,883 B2 3/2010 Harless
7,967,600 B2 6/2011 Hong et al.
8,282,389 B2 10/2012 Dhulst et al.
D671,204 S * 11/2012 Kovash D23/415
D684,682 S * 6/2013 Kovash D23/415

(Continued)

(21) Appl. No.: **29/544,074**
(22) Filed: **Oct. 30, 2015**

Related U.S. Application Data

(63) Continuation of application No. 14/705,141, filed on May 6, 2015.
(51) **LOC (11) Cl.** **10-05**
(52) **U.S. Cl.**
USPC **D10/114.9**
(58) **Field of Classification Search**
USPC D23/415, 266; D10/114.9
CPC F23G 7/085; G05D 23/2754
See application file for complete search history.

References Cited

U.S. PATENT DOCUMENTS

1,937,974 A * 12/1933 McKee G05D 23/2754
236/74 R
2,802,521 A 8/1957 Campbell
D193,046 S * 6/1962 Sabo D23/415
4,036,580 A 7/1977 Reed
4,255,120 A 3/1981 Straitz, III
4,269,583 A 5/1981 Straitz, III
4,406,615 A 9/1983 Guerra et al.
4,457,696 A 7/1984 Schwartz et al.
4,486,168 A 12/1984 Pratley

OTHER PUBLICATIONS

Zeeco®, Air Assisted Flare AF Series, Brochure, Broken Arrow, OK, 2011, 2 pgs, Zeeco, Inc.

(Continued)

Primary Examiner — George D. Kirschbaum
(74) *Attorney, Agent, or Firm* — Brian D. Kaul; Westman, Champlin & Koehler, P.A.

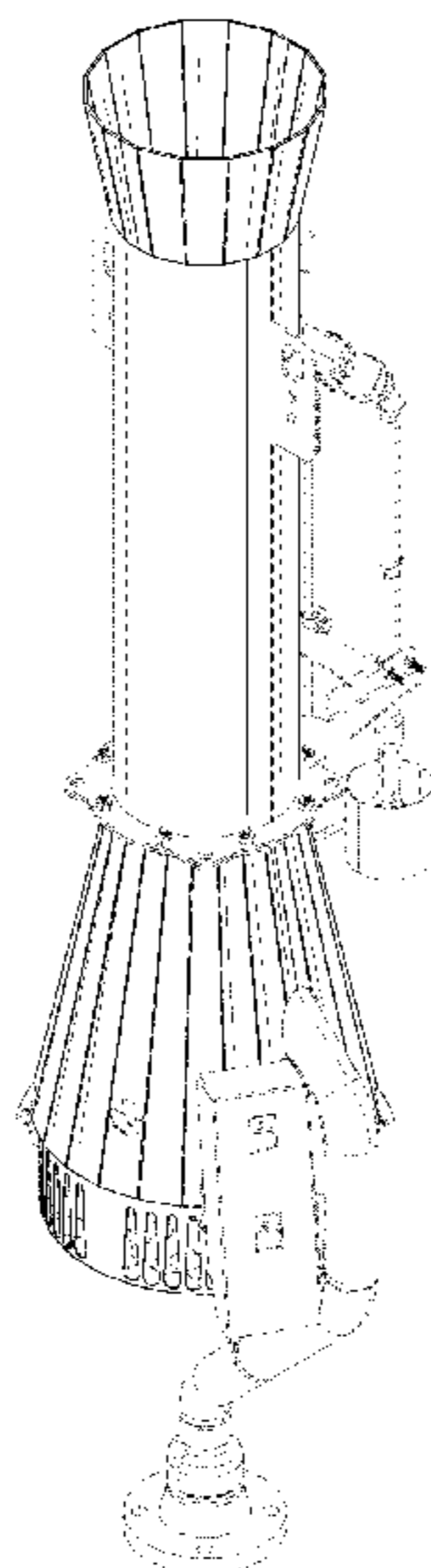
(57) **CLAIM**

The ornamental design for an air-assist flare, as shown and described.

DESCRIPTION

FIG. 1 is a perspective view of the air-assist flare;
FIG. 2 is a front elevational view thereof;
FIG. 3 is a rear elevational view thereof;
FIG. 4 is a left side elevational view thereof;
FIG. 5 is a right side elevational view thereof;
FIG. 6 is a top plan view thereof; and,
FIG. 7 is a bottom plan view thereof.
The broken line showing is included for the purpose of illustrating portions of the “article” and forms no part of the claimed design.

1 Claim, 6 Drawing Sheets



(56)

References Cited

U.S. PATENT DOCUMENTS

8,967,995 B1 * 3/2015 Griffin F23G 7/085
431/202
D777,051 S * 1/2017 Cotsman D10/114.9
D807,478 S * 1/2018 Bacon D23/266
2006/0110272 A1 5/2006 Moore et al.
2008/0081304 A1 4/2008 Poe et al.
2008/0185813 A1 8/2008 Watson
2009/0233248 A1 9/2009 Dhulst et al.
2010/0291492 A1 11/2010 Poe et al.
2012/0015308 A1 1/2012 Hong et al.
2014/0130676 A1 5/2014 Daniels
2015/0323177 A1 11/2015 Kovash et al.
2016/0047216 A1 2/2016 Rajewski

OTHER PUBLICATIONS

Steffes Corporation, Air Assisted Flare, Insert, Dickinson, ND (date not available) 2 pgs, Steffes Corp.

John Zink®, Air-Assisted Flaring Systems EEF-LH Series, Bulletin 5103A, Tulsa, OK, 1994, 2 pgs, John Zink Company.

Non-Final Office Action from corresponding U.S. Appl. No. 14/705,141, dated May 2, 2017.

* cited by examiner

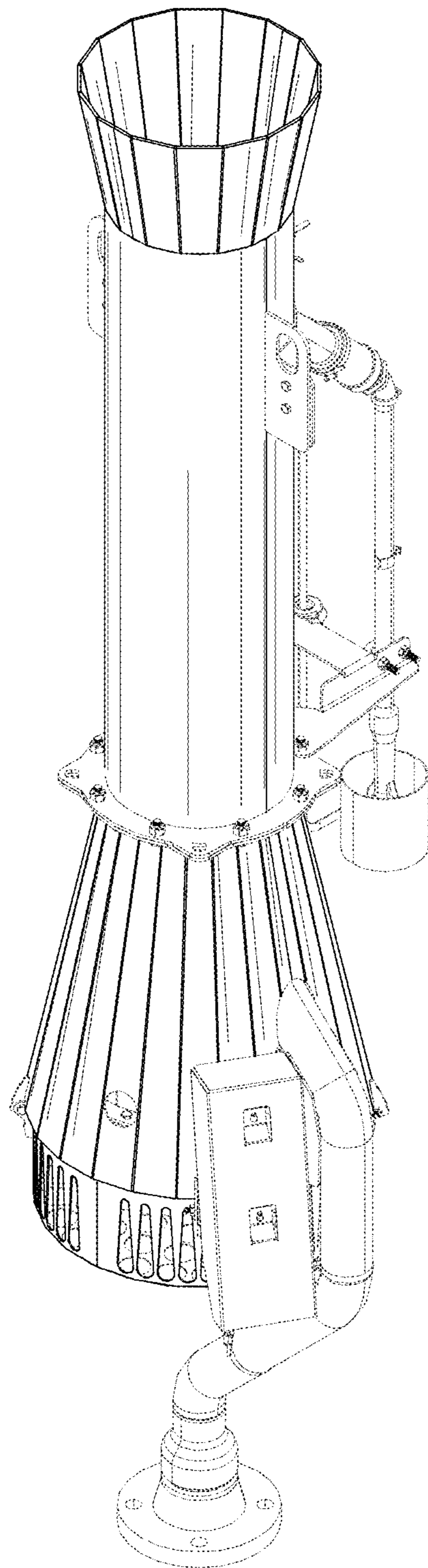
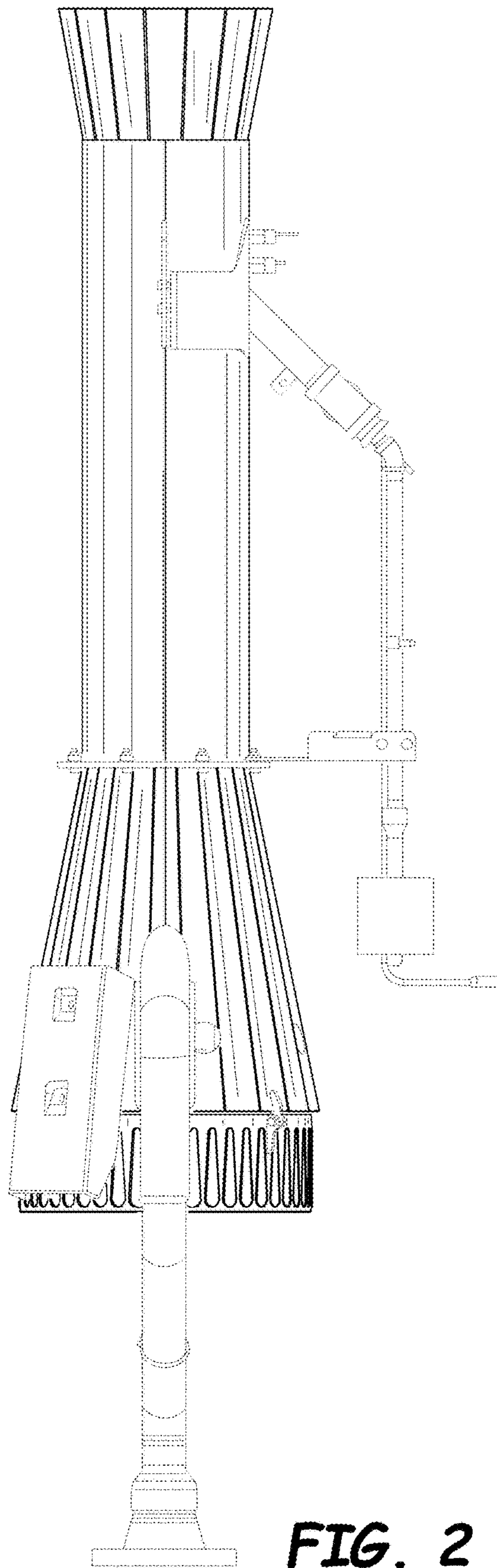


FIG. 1



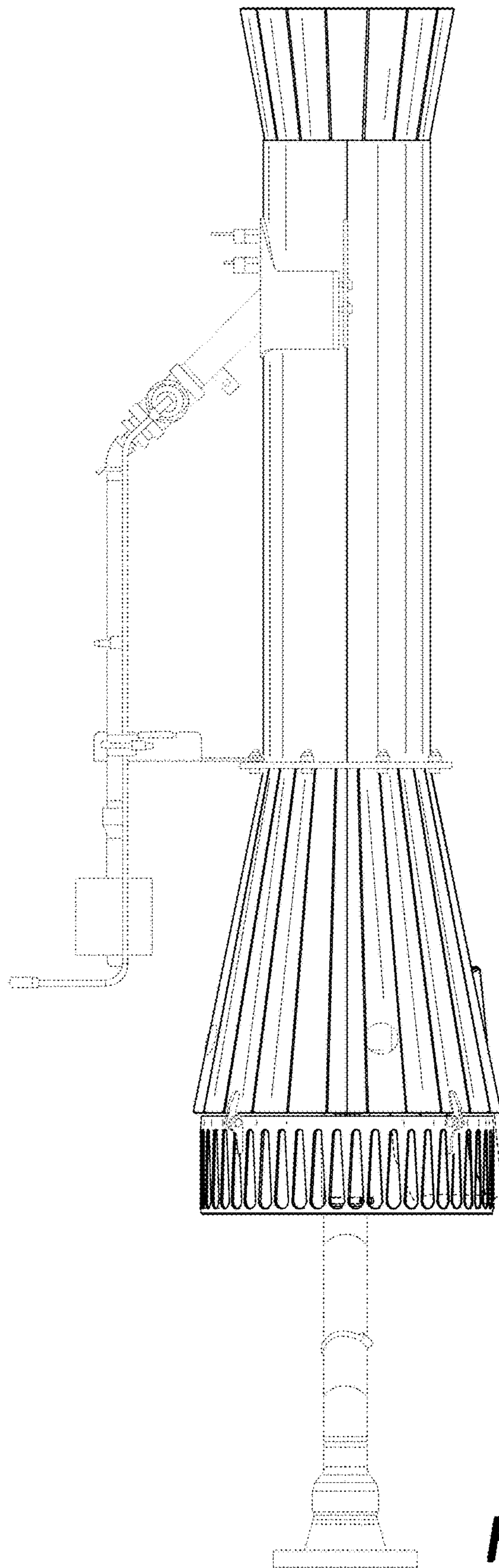


FIG. 3

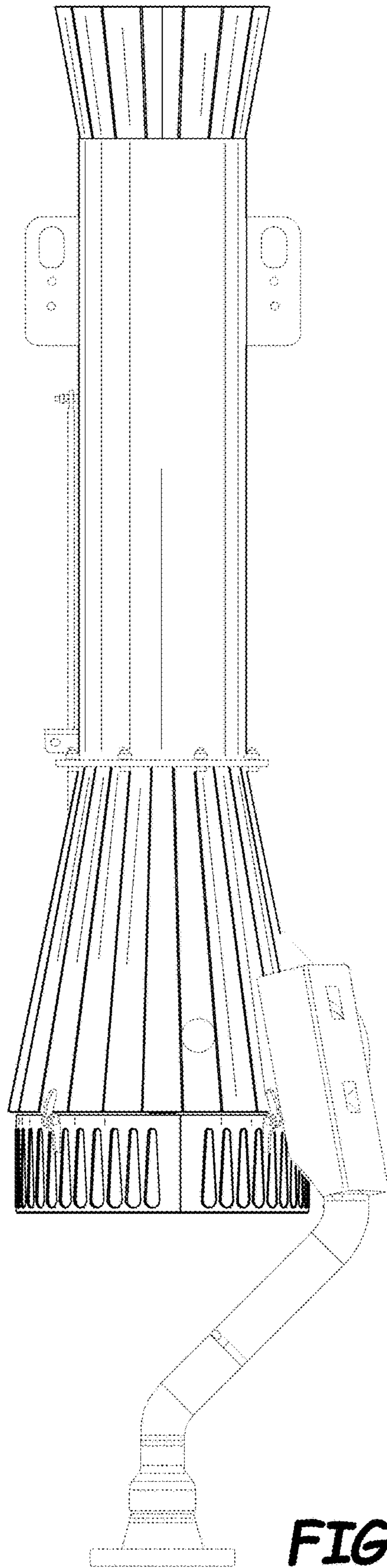


FIG. 4

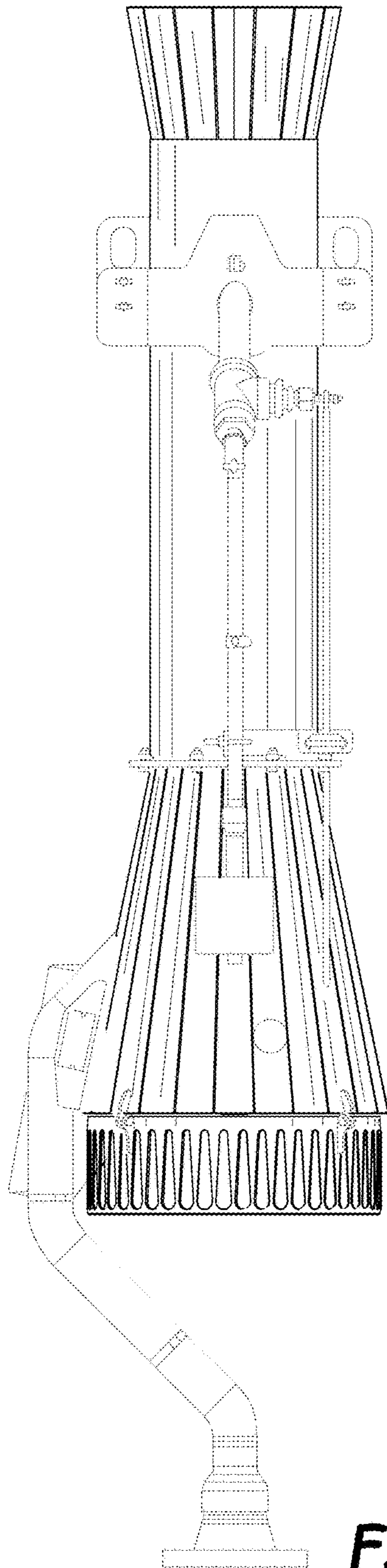


FIG. 5

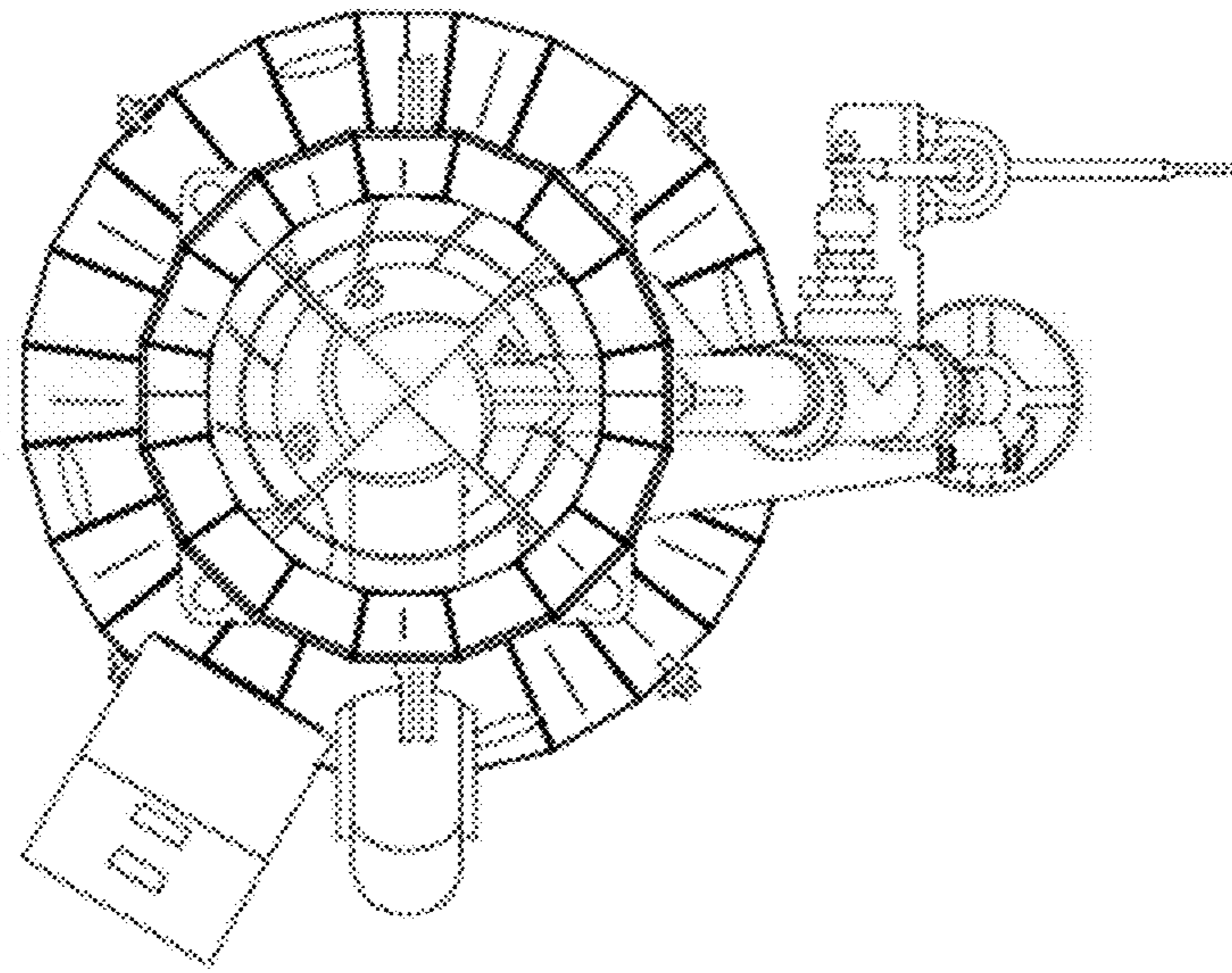


FIG. 6

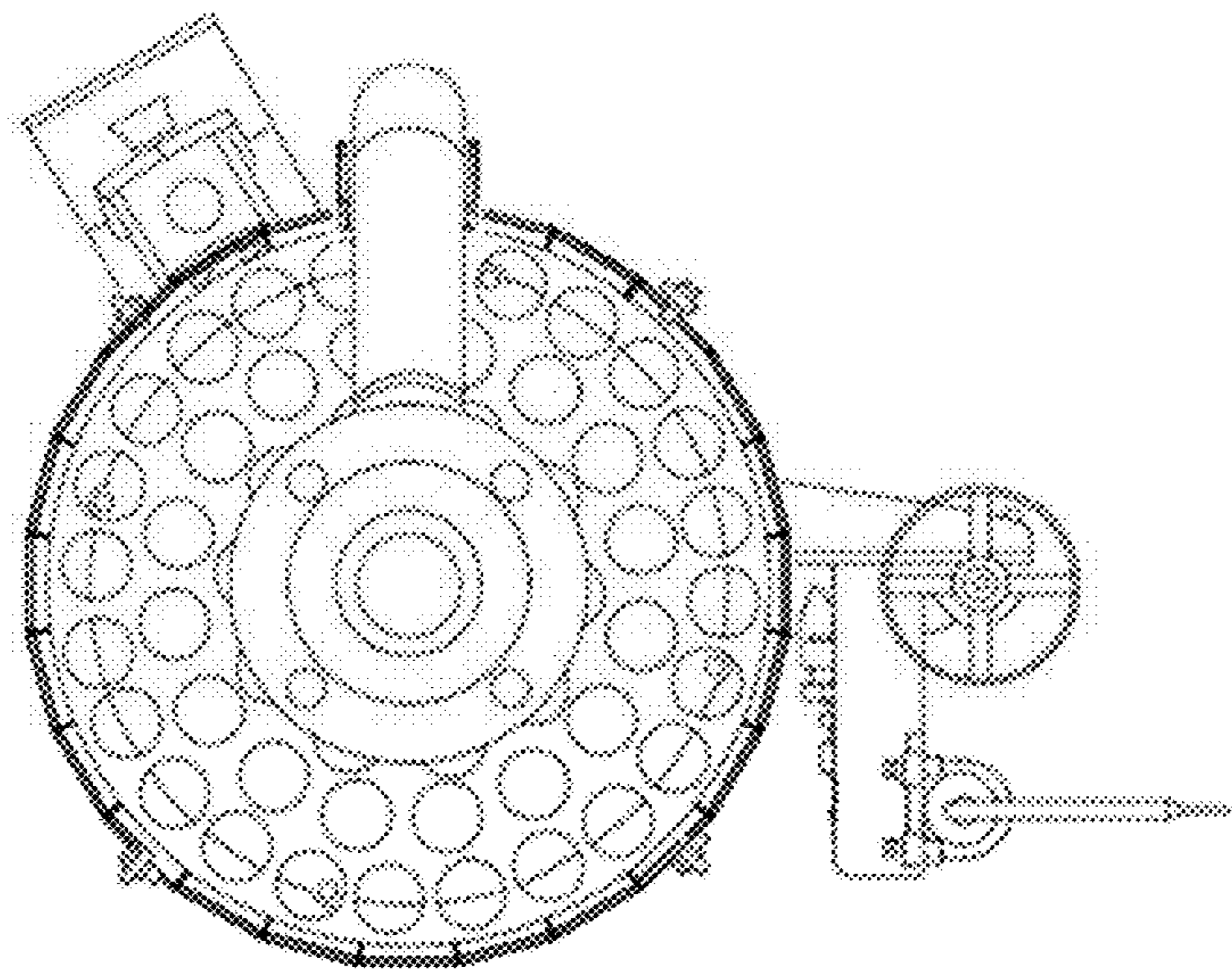


FIG. 7