



US00D833897S

(12) **United States Design Patent**
Simpson et al.

(10) **Patent No.:** **US D833,897 S**

(45) **Date of Patent:** **** Nov. 20, 2018**

(54) **MONITORING PRODUCT**

(71) Applicants: **William Brady Simpson**, Mountain View, CA (US); **Joseph Molinari**, San Rafael, CA (US)

(72) Inventors: **William Brady Simpson**, Mountain View, CA (US); **Joseph Molinari**, San Rafael, CA (US)

(73) Assignee: **Simtek, Inc.**, Mountain View, CA (US)

(**) Term: **15 Years**

(21) Appl. No.: **29/602,843**

(22) Filed: **May 4, 2017**

(51) **LOC (11) Cl.** **10-04**

(52) **U.S. Cl.**
USPC **D10/70; D10/104.1; D10/106.6**

(58) **Field of Classification Search**
USPC D10/46, 70, 104.1, 106.6
CPC G01V 8/20; G08B 13/1645; G08B 13/16;
G08B 13/1609; G08B 13/1627; G08B
13/1618; G08B 13/1636; G08B 13/1654;
G08B 13/1663; G08B 13/1672; G08B
13/1681; G08B 13/16169; G08B 13/181;
G08B 13/183; G08B 13/184; G08B
13/186; G08B 13/187; G08B 13/189;
G08B 13/1895; G08B 13/19; G08B
13/191; G08B 13/193; G08B 17/12;
G08B 21/00; G08B 21/02; G08B
21/0202; G08B 21/0205; G08B 21/0208;
G08B 21/0211; G08B 21/0213; G08B
21/0216; G08B 21/0219; G08B 21/0222;
G08B 21/0225; G08B 21/0227; G08B
21/023; G08B 21/0233; G08B 21/0236;
G08B 21/0238; G08B 21/0241; G08B
21/0244; G08B 21/0247; G08B 21/025;
G08B 21/0252; G08B 21/0258; G08B
21/0261; G08B 21/0263; G08B 21/0266;
G08B 21/0269; G08B 21/0272; G08B
21/0275; G08B 21/0277; G08B 21/028;

G08B 21/0283; G08B 21/0286; G08B
21/0288; G08B 21/0291; G08B 21/0194;
G08B 21/0297; G08B 21/04; G08B
21/0407; G08B 21/0415; G08B 21/0423;
G08B 21/043; G08B 21/0438; G08B
21/0446; G08B 21/0453; G08B 21/0461;
G08B 21/0469; G08B 21/0476; G08B
21/0484; G08B 21/0492;

(Continued)

(56) **References Cited**

U.S. PATENT DOCUMENTS

D426,786 S * 6/2000 Chery D10/104.1
D453,484 S * 2/2002 Christianson D10/104.1

(Continued)

Primary Examiner — Antoine Duval Davis

(74) *Attorney, Agent, or Firm* — Ronald J. Meetin

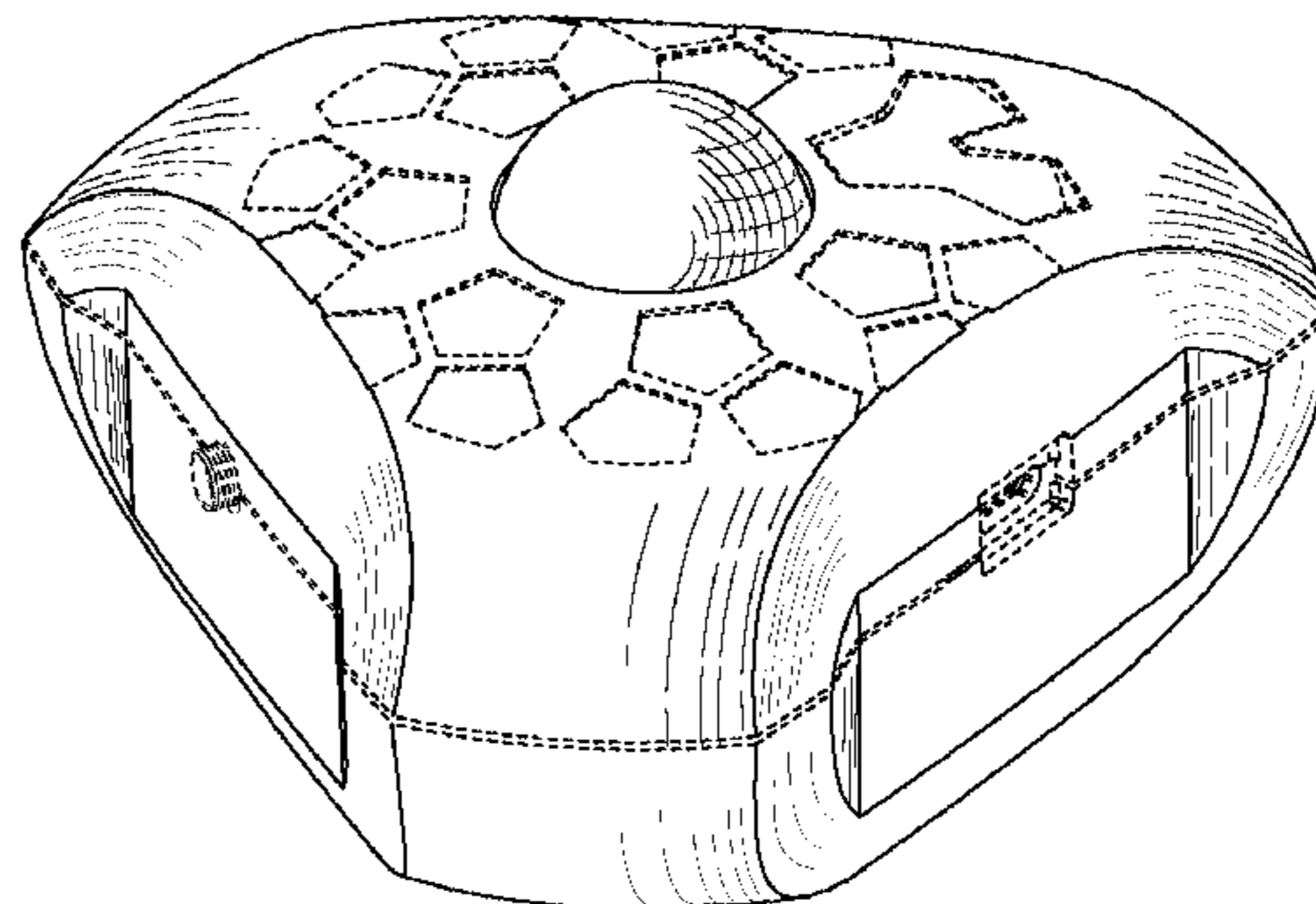
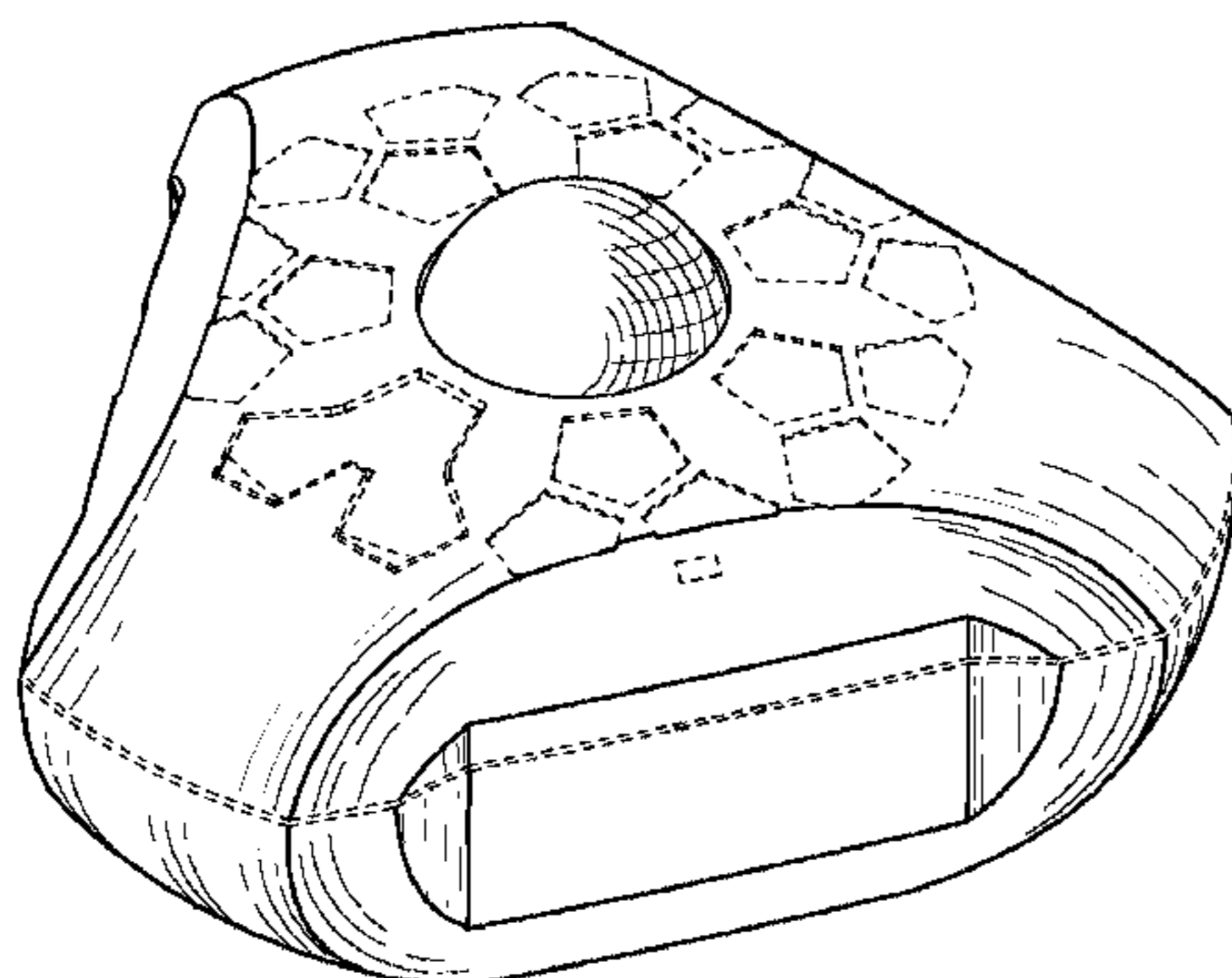
(57) **CLAIM**

The ornamental design for a monitoring product, as shown and described.

DESCRIPTION

FIG. 1 is a generally front perspective view of the monitoring product.
FIG. 2 is a generally back perspective view of the monitoring product.
FIG. 3 is a top plan view of the monitoring product.
FIG. 4 is a front elevation view of the monitoring product.
FIG. 5 is an angled left-side elevation view of the monitoring product.
FIG. 6 is an angled right-side elevation view of the monitoring product.
FIG. 7 is a back elevation view of the monitoring product; and,
FIG. 8 is a bottom plan view of the monitoring product.
The broken lines in the drawings form no part of the claimed design.

1 Claim, 8 Drawing Sheets



(58) **Field of Classification Search**

CPC G08B 21/06; G08B 21/08; G08B 21/082;
 G08B 21/084; G08B 21/086; G08B
 21/088; G08B 21/10; G08B 21/12; G08B
 21/14; G08B 21/16; G08B 21/18; G08B
 21/182; G08B 21/185; G08B 21/187;
 G08B 21/20; G08B 21/22; G08B 21/24;
 G08B 21/245; G08B 23/00; G08B 13/00;
 G08B 13/02; G08B 13/04; G08B 13/06;
 G08B 13/08; G08B 13/10; G08B 13/12;
 G08B 13/122; G08B 13/124; G08B
 13/126; G08B 13/028; G08B 13/14;
 G08B 13/1409; G08B 13/1418; G08B
 13/1427; G08B 13/1436; G08B 13/1445;
 G08B 13/1454; G08B 13/1463; G08B
 13/1472; G08B 13/1481; G08B 13/149;
 G08B 13/169; G08B 13/18; G08B
 13/194; G08B 13/196; G08B 13/19602;
 G08B 13/19604; G08B 13/19606; G08B
 13/19608; G08B 13/1961; G08B
 13/19613; G08B 13/19615; G08B
 13/19617; G08B 13/19619; G08B
 13/19621; G08B 13/19623; G08B
 13/19626; G08B 13/19628; G08B
 13/1963; G08B 13/19632; G08B
 13/19634; G08B 13/19636; G08B
 13/19639; G08B 13/19641; G08B
 13/19643; G08B 13/19645; G08B
 13/19647; G08B 13/1965; G08B
 13/19652; G08B 13/19654; G08B
 13/19656; G08B 13/19658; G08B
 13/1966; G08B 13/19663; G08B
 13/19665; G08B 13/19667; G08B
 13/19669; G08B 13/19671; G08B
 13/19673; G08B 13/19676; G08B
 13/19678; G08B 13/1968; G08B
 13/19682; G08B 13/19684; G08B
 13/19686; G08B 13/19689; G08B
 13/19691; G08B 13/19693; G08B

13/19695; G08B 13/19697; G08B 13/20;
 G08B 13/22; G08B 13/24; G08B
 13/2402; G08B 13/2405; G08B 13/2408;
 G08B 13/2411; G08B 13/2414; G08B
 13/2417; G08B 13/242; G08B 13/2422;
 G08B 13/2425; G08B 13/2428; G08B
 13/2431; G08B 13/2434; G08B 13/2437;
 G08B 13/244; G08B 13/2442; G08B
 13/2445; G08B 13/2448; G08B 13/2451;
 G08B 13/2454; G08B 13/2457; G08B
 13/246; G08B 13/2462; G08B 13/2465;
 G08B 13/2468; G08B 13/2471; G08B
 13/2474; G08B 13/2477; G08B 13/248;
 G08B 13/2482; G08B 13/2485; G08B
 13/2488; G08B 13/2491; G08B 13/2494;
 G08B 13/2497; G08B 13/26; H03K
 17/941; H03K 2017/9455; H03K
 17/9505; H03K 17/9622; H03K 17/9627;
 H05B 37/0227; G01P 13/00; G01P
 13/0006; G01P 13/0013; G01P 13/002;
 G01P 13/0026; G01P 13/0033; G01P
 13/004; G01P 13/0046; G01P 13/0053;
 G01P 13/006; G01P 13/0066; G01P
 13/0073; G01P 13/008; G01P 13/0086;
 G01P 13/0093

See application file for complete search history.

(56)

References Cited

U.S. PATENT DOCUMENTS

D476,243 S * 6/2003 Houlihan D10/70
 D656,424 S * 3/2012 Bentley D10/70
 D661,211 S * 6/2012 Hou D10/104.1
 D693,709 S * 11/2013 Lee D10/65
 8,600,120 B2 * 12/2013 Gonion G06F 1/3231
 382/118
 D758,905 S * 6/2016 Evans D10/70

* cited by examiner

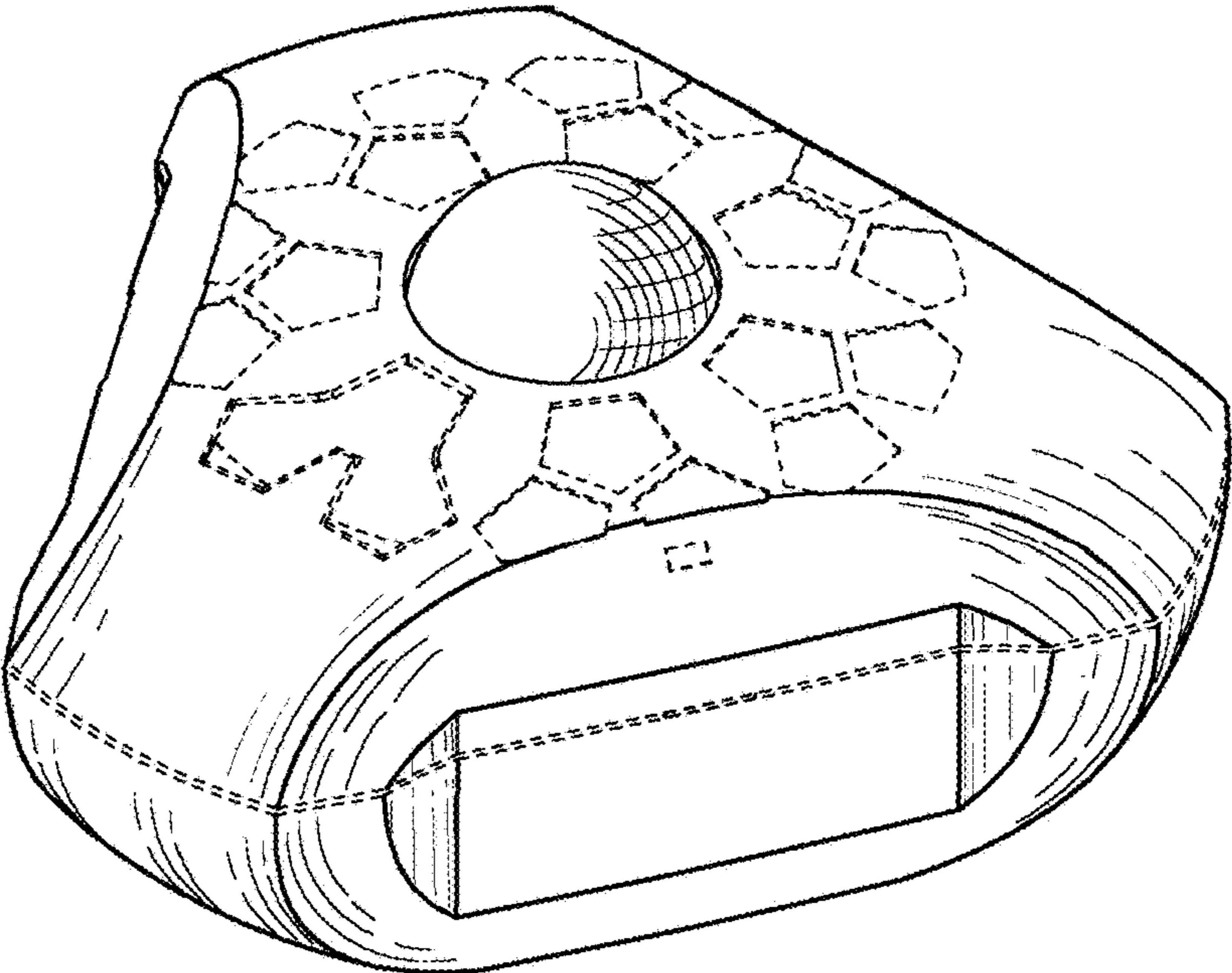


FIG. 1

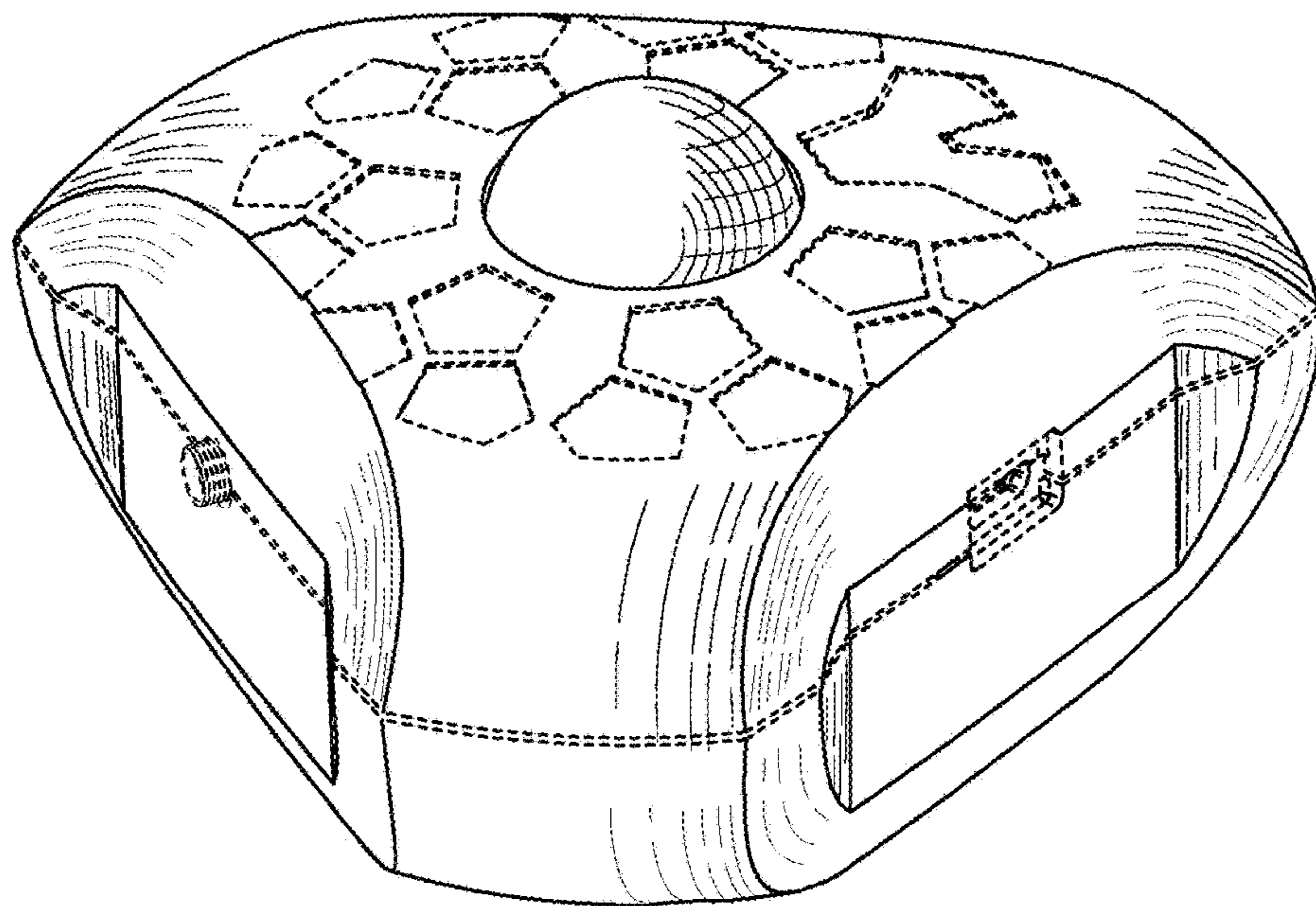


FIG. 2

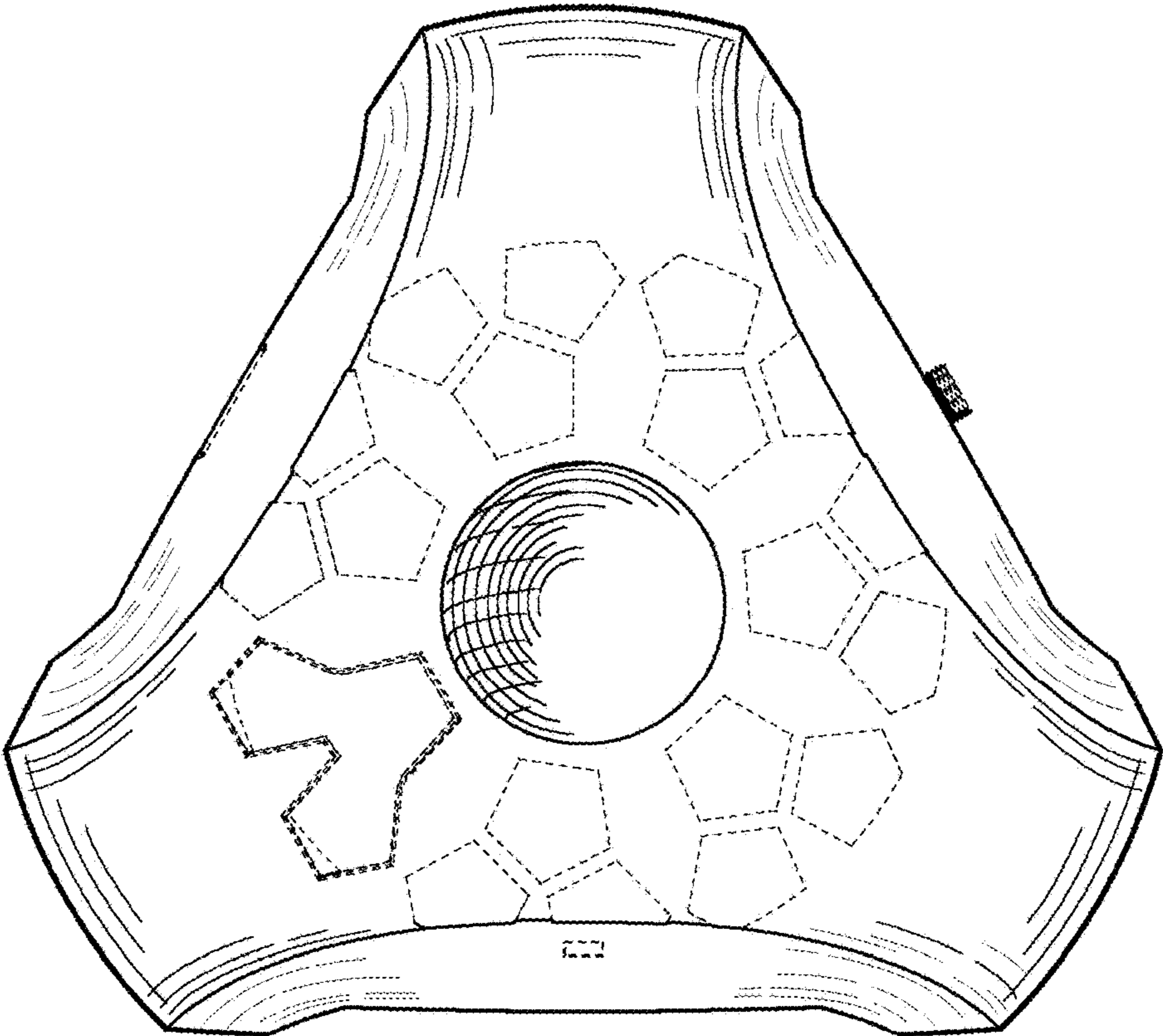


FIG. 3

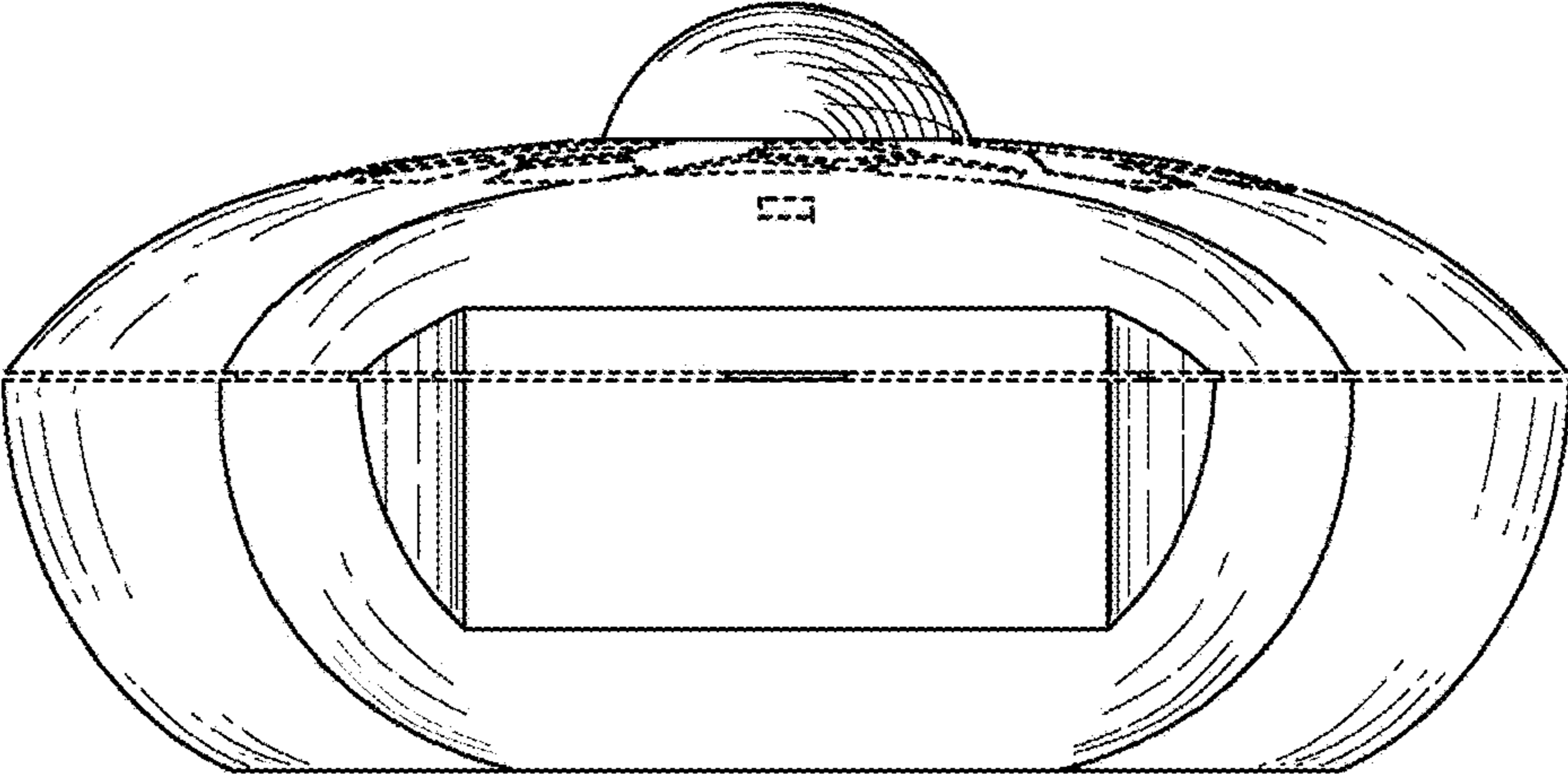


FIG. 4

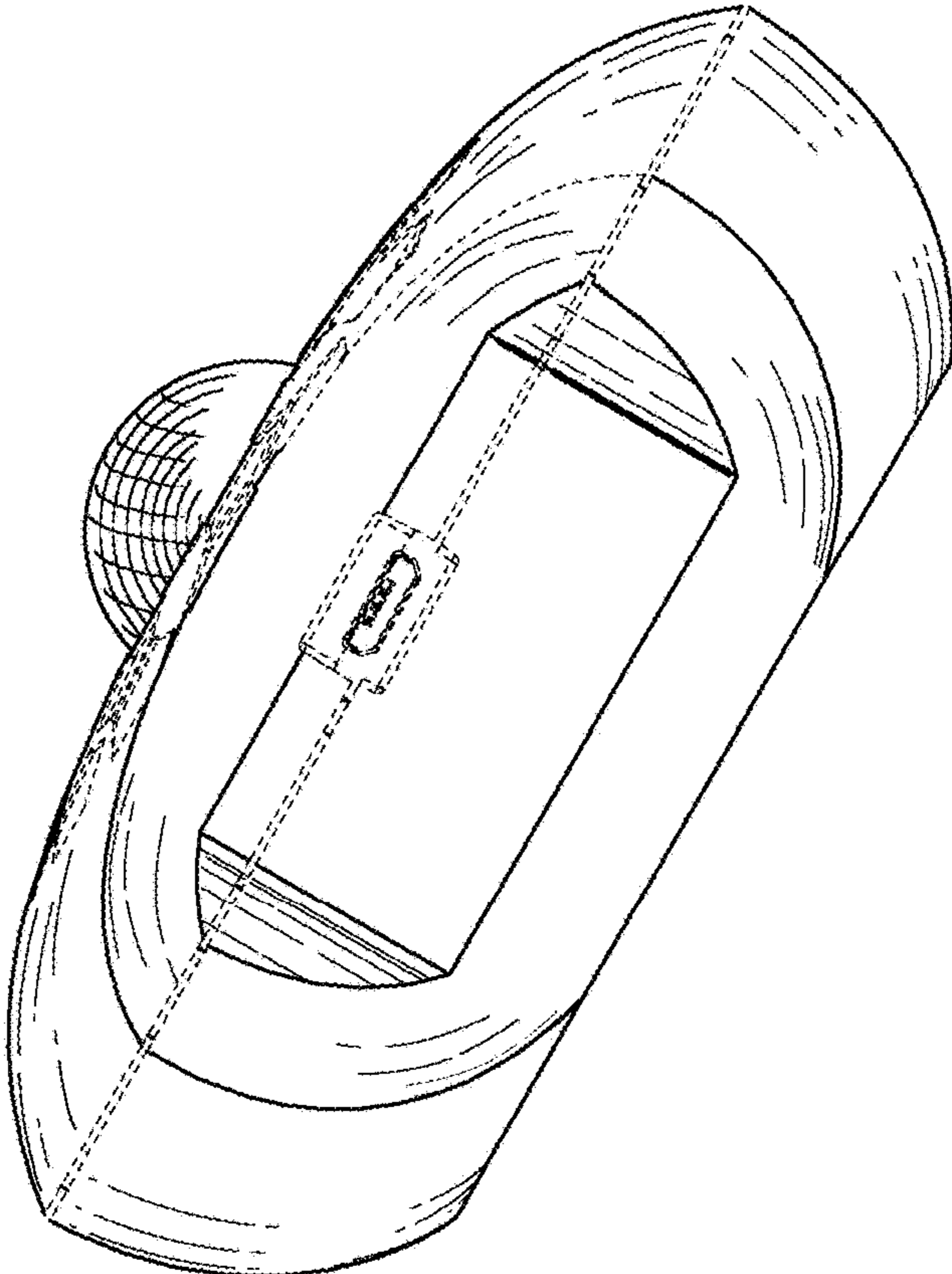


FIG. 5

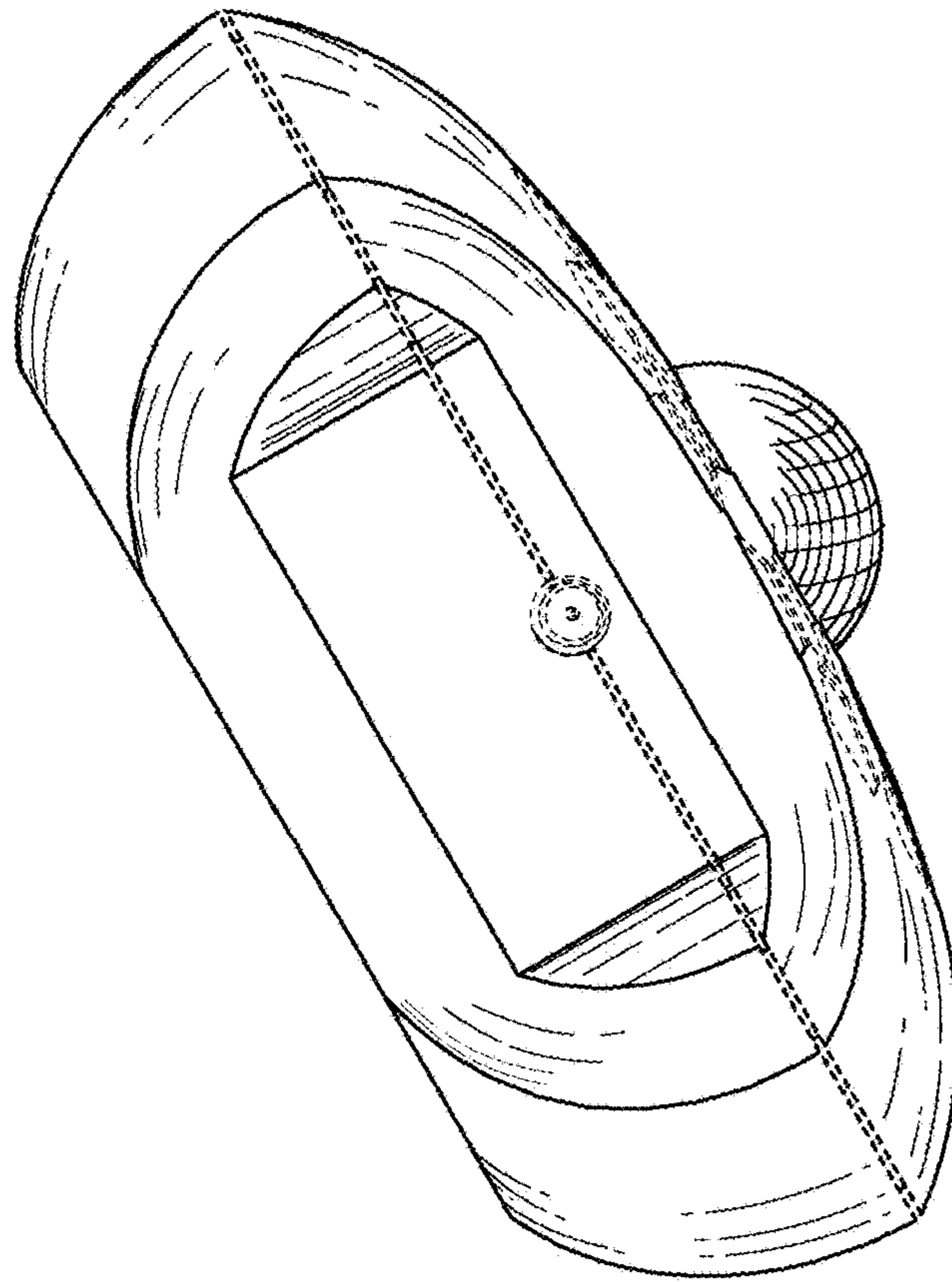


FIG. 6

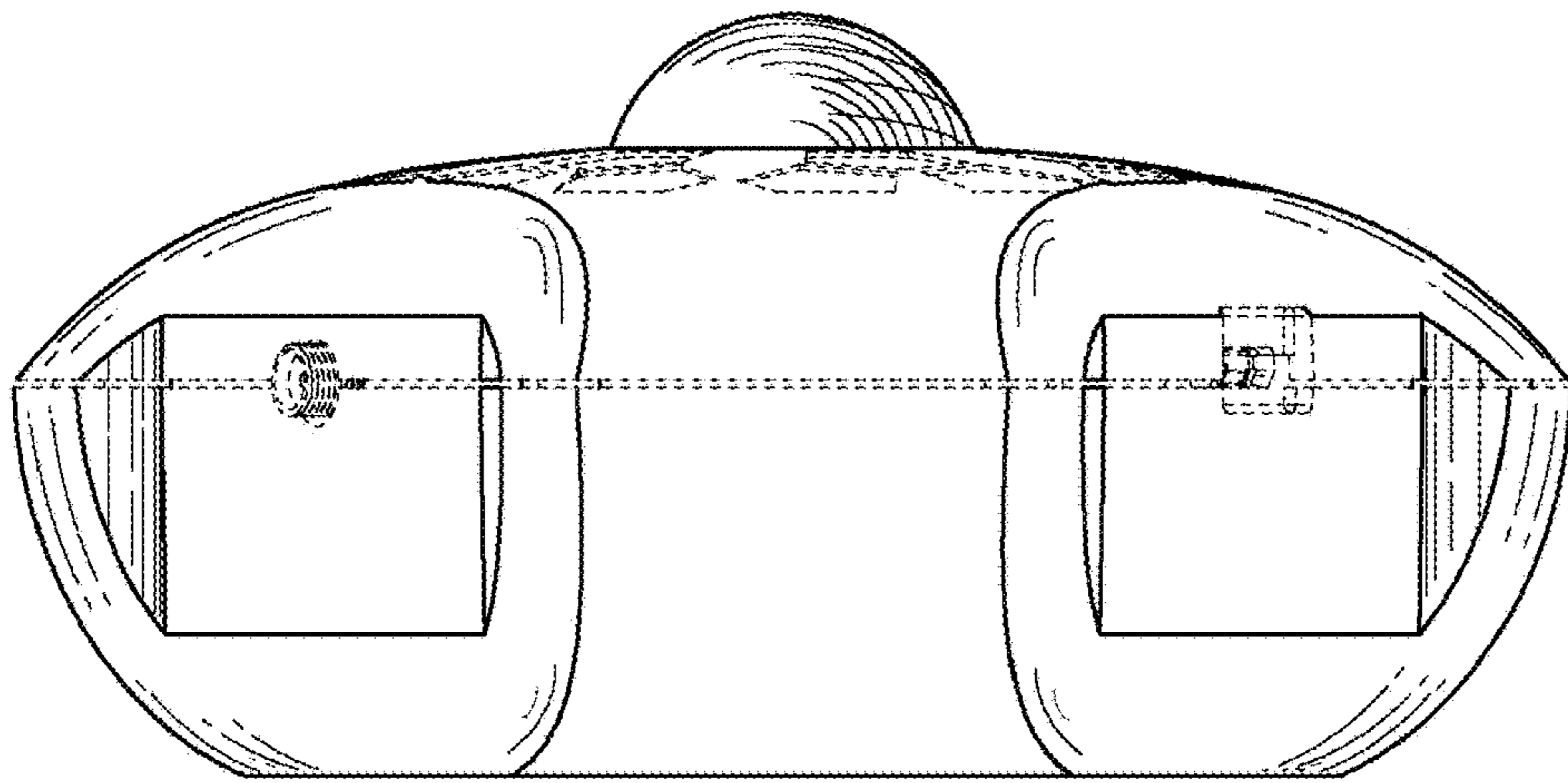


FIG. 7

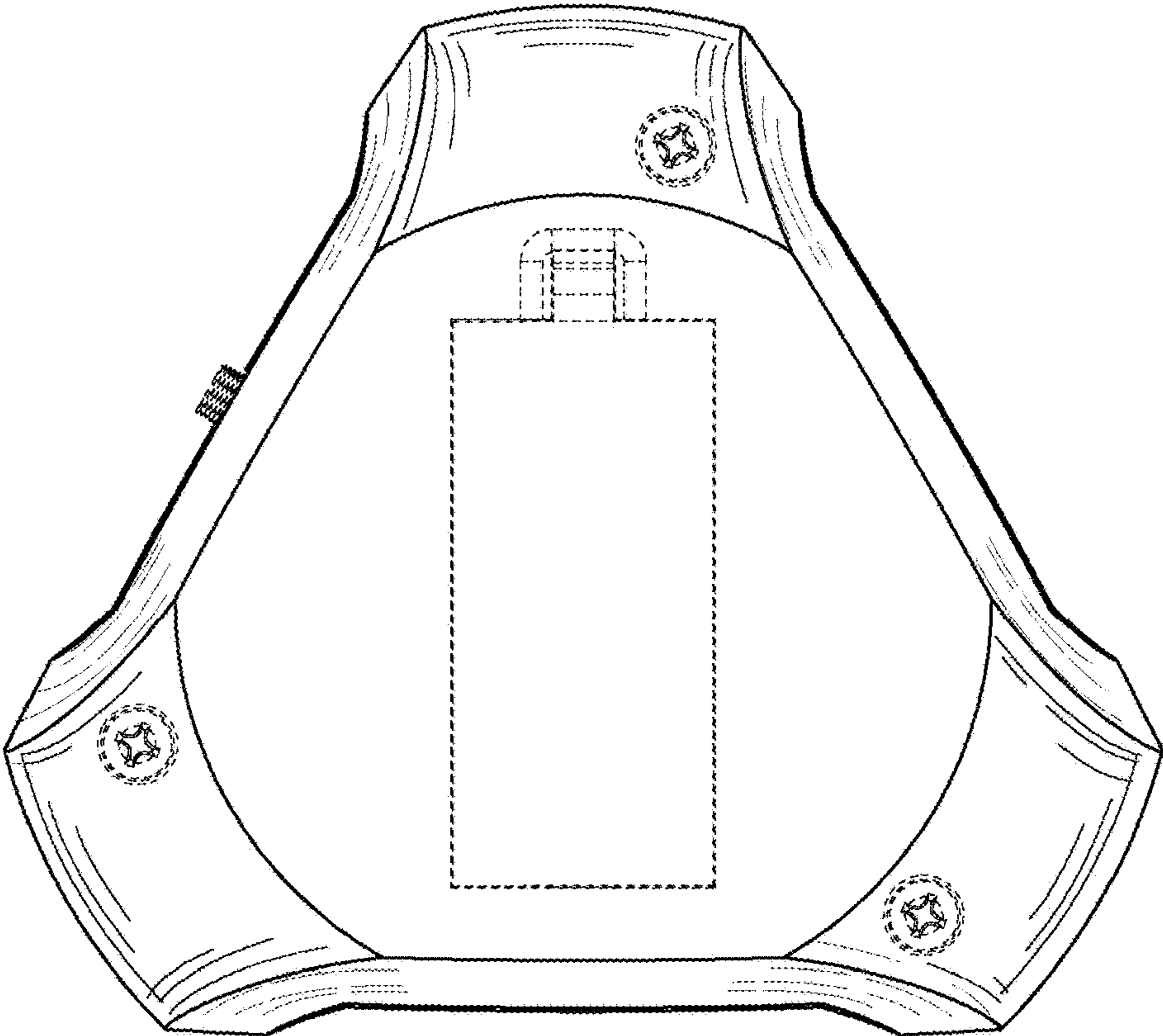


FIG. 8